



US00D948099S

(12) **United States Design Patent** (10) **Patent No.:** **US D948,099 S**
Coombes et al. (45) **Date of Patent:** **** Apr. 5, 2022**

(54) **LAMP**
(71) Applicant: **GIOPATO & COOMBES S.R.L.**,
Treviso (IT)
(72) Inventors: **Christopher Coombes**, Treviso (IT);
Cristiana Giopato, Treviso (IT)
(73) Assignee: **GIOPATO & COOMBES S.R.L.**,
Treviso (IT)
(**) Term: **15 Years**
(21) Appl. No.: **29/810,294**
(22) Filed: **Oct. 4, 2021**

D810,990 S 2/2018 Sempe
D812,800 S * 3/2018 Martin D26/81
D828,607 S * 9/2018 Sonneman D26/81
D828,945 S * 9/2018 Crocker D26/81
D841,863 S * 2/2019 Lee D26/84
D859,722 S * 9/2019 Sonneman D26/84
D860,508 S 9/2019 Coombes et al.
D862,767 S * 10/2019 Pomputius D26/81
D862,771 S 10/2019 Coombes et al.
D865,263 S * 10/2019 Amato D26/81
D868,342 S 11/2019 Coombes et al.
D870,351 S 12/2019 Sonneman
D870,953 S * 12/2019 Coombes D26/90
D920,559 S * 5/2021 Hendifar D26/84
2012/0120654 A1 5/2012 Kobayashi et al.
2016/0238229 A1 8/2016 Smitt et al.

(Continued)

Related U.S. Application Data

(62) Division of application No. 29/683,415, filed on Mar. 13, 2019.

Foreign Application Priority Data

Jan. 2, 2019 (IT) 402019000000004

(51) **LOC (13) Cl.** **26-03**

(52) **U.S. Cl.**
USPC **D26/81**; D26/84; D26/86; D26/90

(58) **Field of Classification Search**
USPC D26/72, 80, 81, 84, 86, 88, 89, 90, 91
CPC F21S 8/03; F21S 8/04; F21S 8/043; F21S
8/046; F21S 8/06; F21S 8/061; F21S
8/063; F21S 8/065
See application file for complete search history.

(56) **References Cited**

U.S. PATENT DOCUMENTS

D38,253 S * 9/1906 Chisholm D26/88
D759,284 S 6/2016 De Bevilacqua et al.
D759,875 S * 6/2016 Giopato D26/88
D800,369 S 10/2017 Sonneman

OTHER PUBLICATIONS

NH S3 Multi-Light Pendant by Neri & Hu from Atreide, available from ylighting.com, visited Dec. 28, 2021. (Year: 2021).*

(Continued)

Primary Examiner — Clare E Heflin

(74) *Attorney, Agent, or Firm* — Cantor Colburn LLP

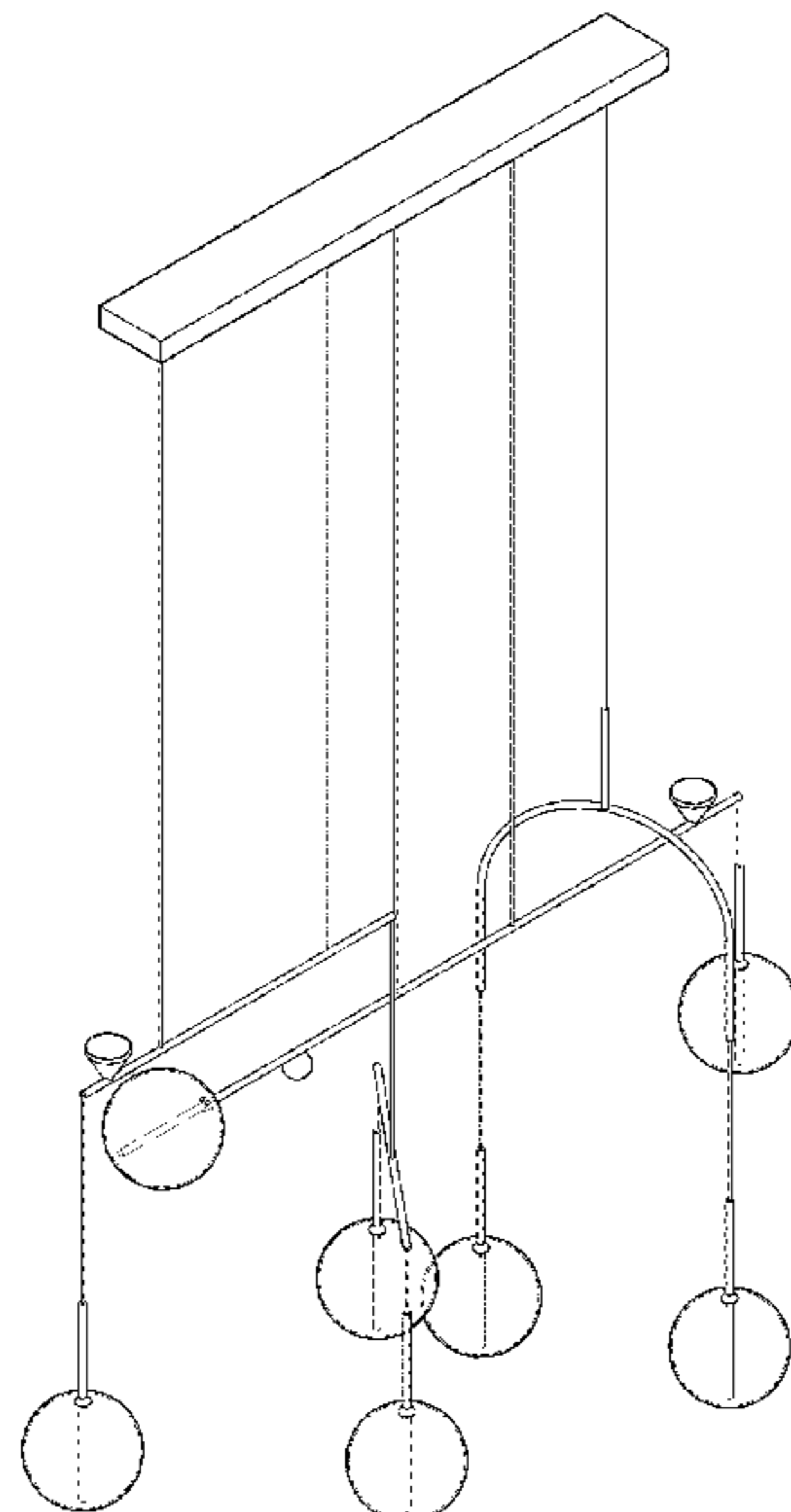
(57) **CLAIM**

We claim, the ornamental design for a lamp, as shown and described.

DESCRIPTION

FIG. 1 is a perspective view of a lamp showing our new design;
FIG. 2 is a front view thereof;
FIG. 3 is a rear view thereof;
FIG. 4 is a left side view thereof;
FIG. 5 is a right side view thereof;
FIG. 6 is a top view thereof; and,
FIG. 7 is a bottom view thereof.

1 Claim, 6 Drawing Sheets



(56)

References Cited

U.S. PATENT DOCUMENTS

2017/0198895 A1* 7/2017 Sonneman F21S 8/065
2019/0145612 A1 5/2019 Crosby

OTHER PUBLICATIONS

Orion—50776 Island Pendant light by Craftmade, available from
craftmade.com, visited Dec. 28, 2021. (Year: 2021).*
Colvin Single Globe Pendant Light available from allmodern.com
as early as May 12, 2017. (Year: 2017).*

* cited by examiner

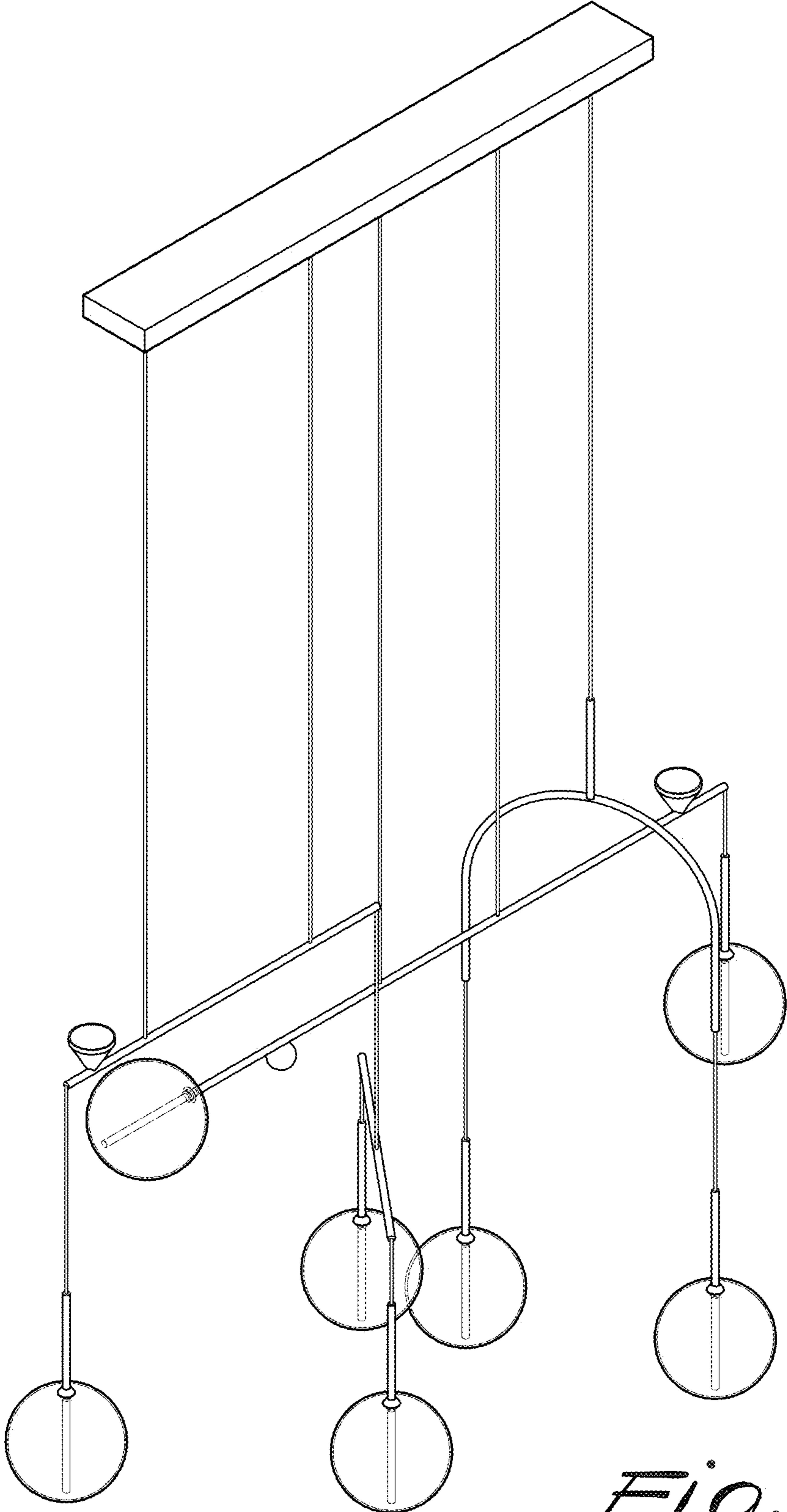


Fig. 1

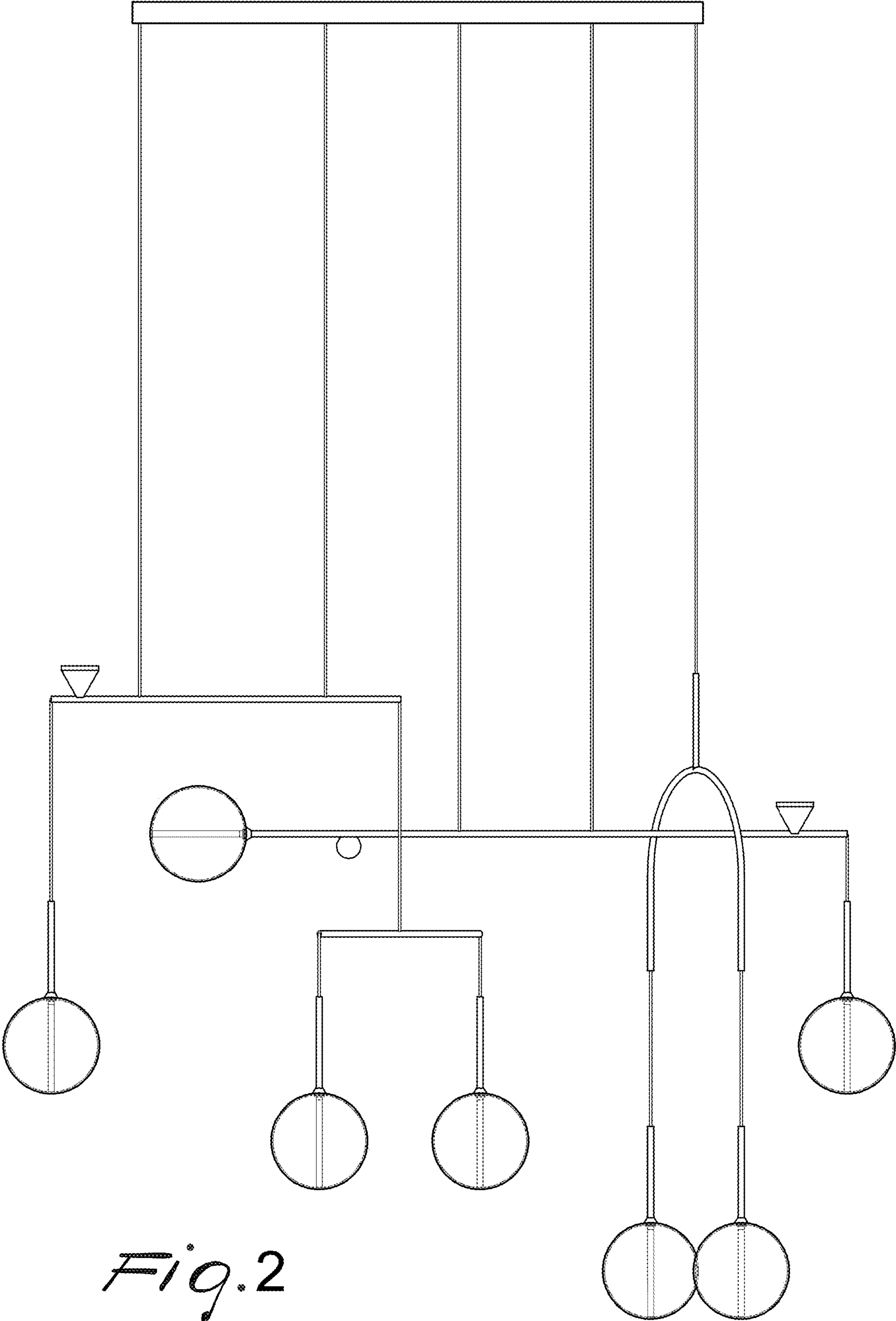
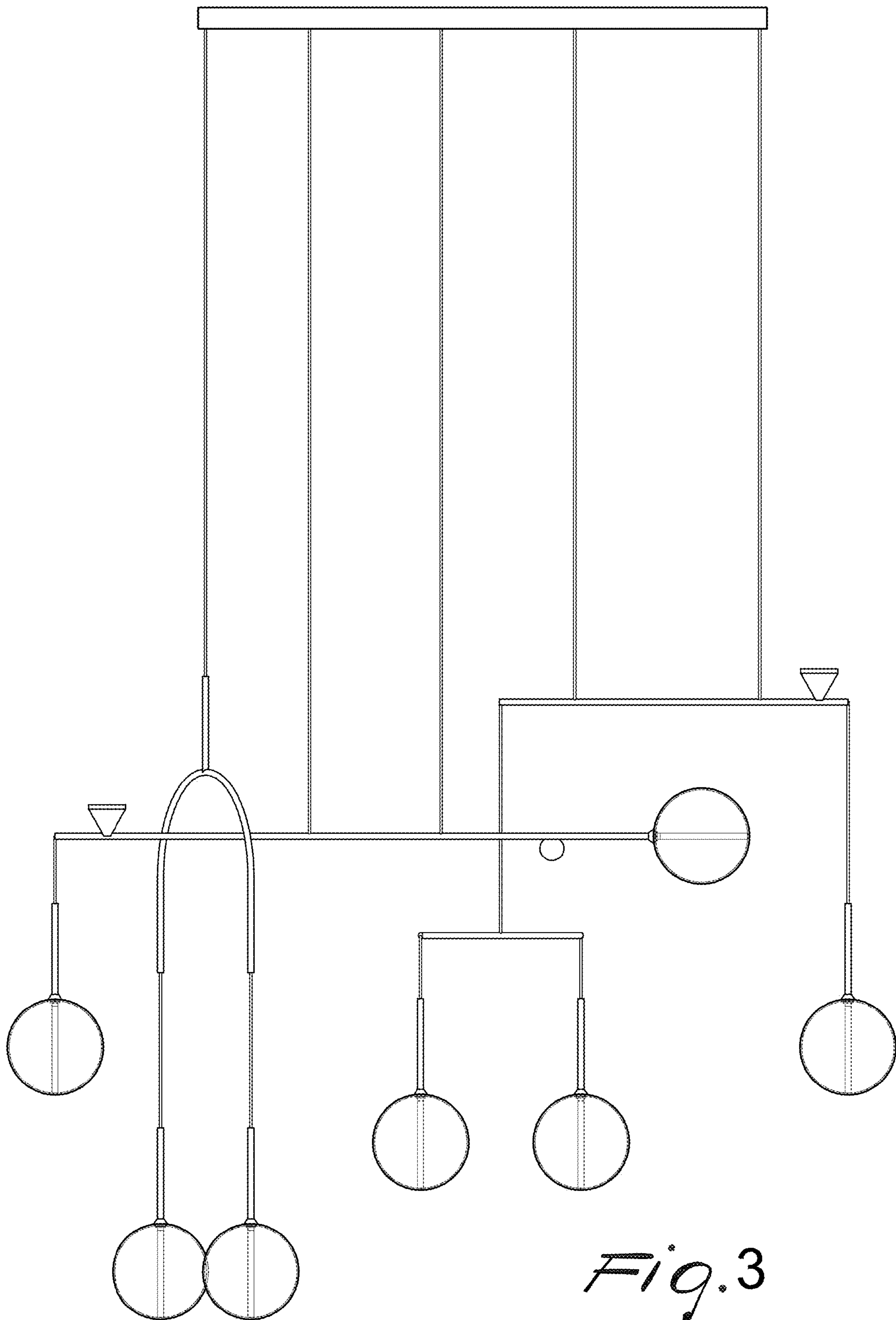


Fig. 2



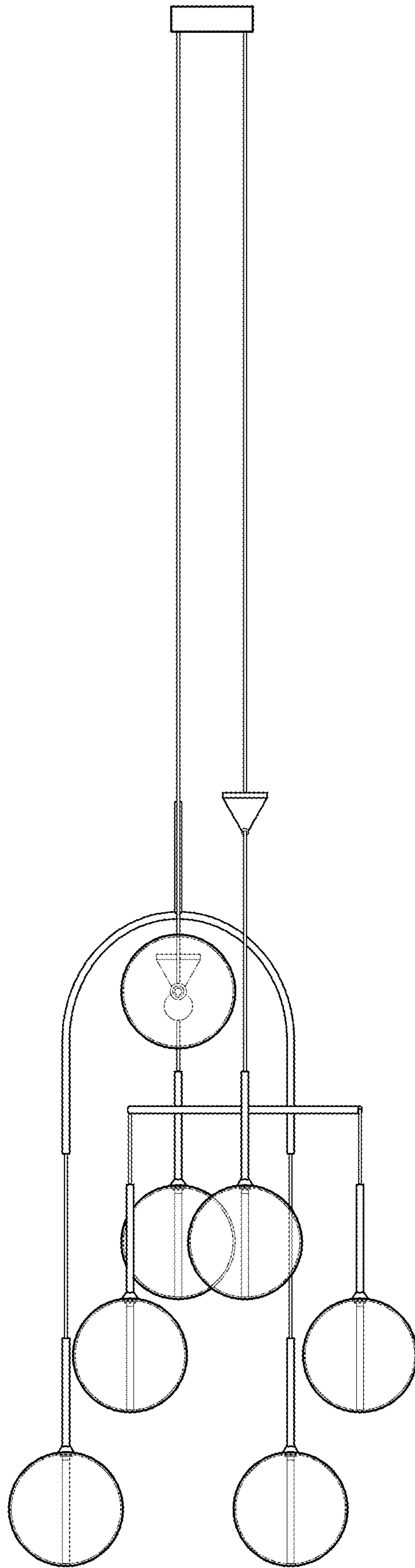


Fig. 4

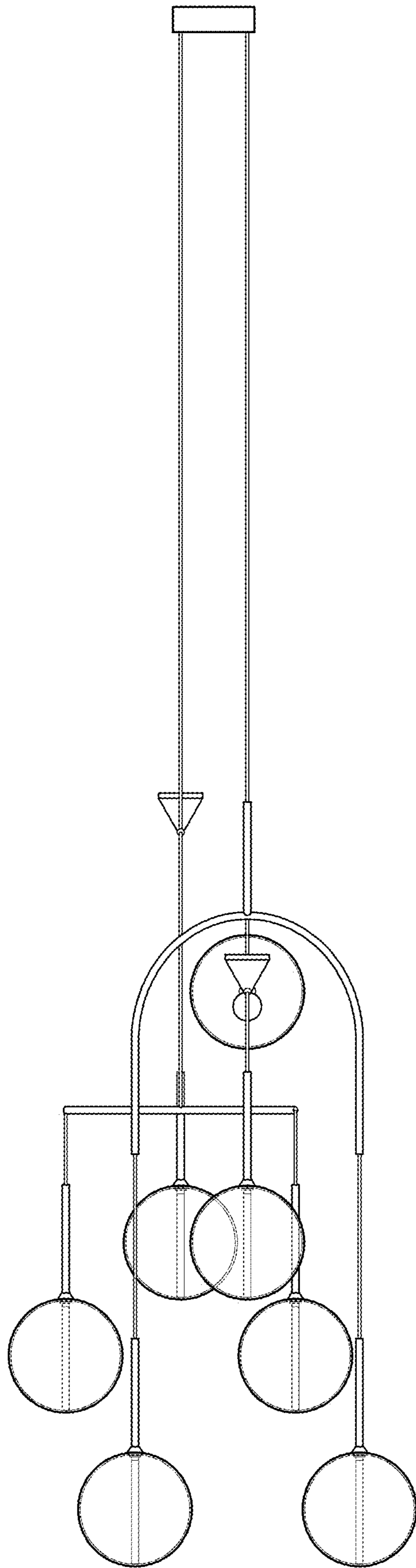


Fig. 5

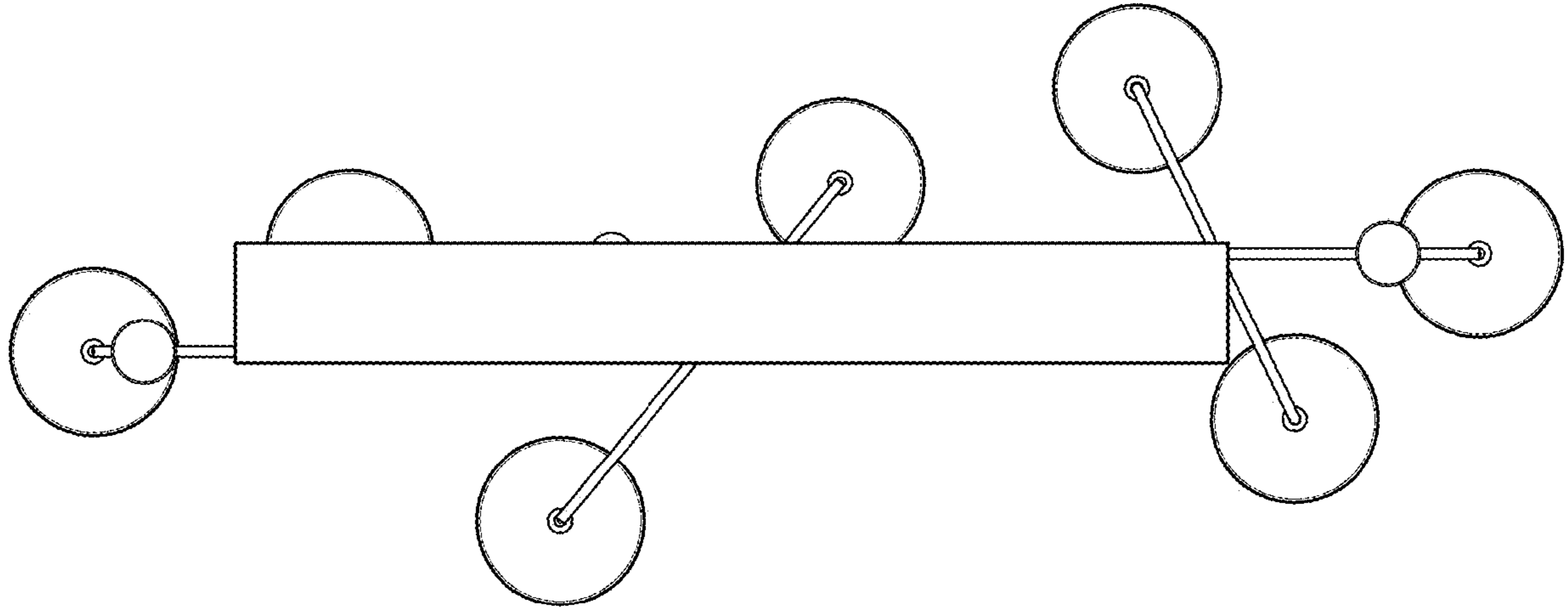


Fig. 6

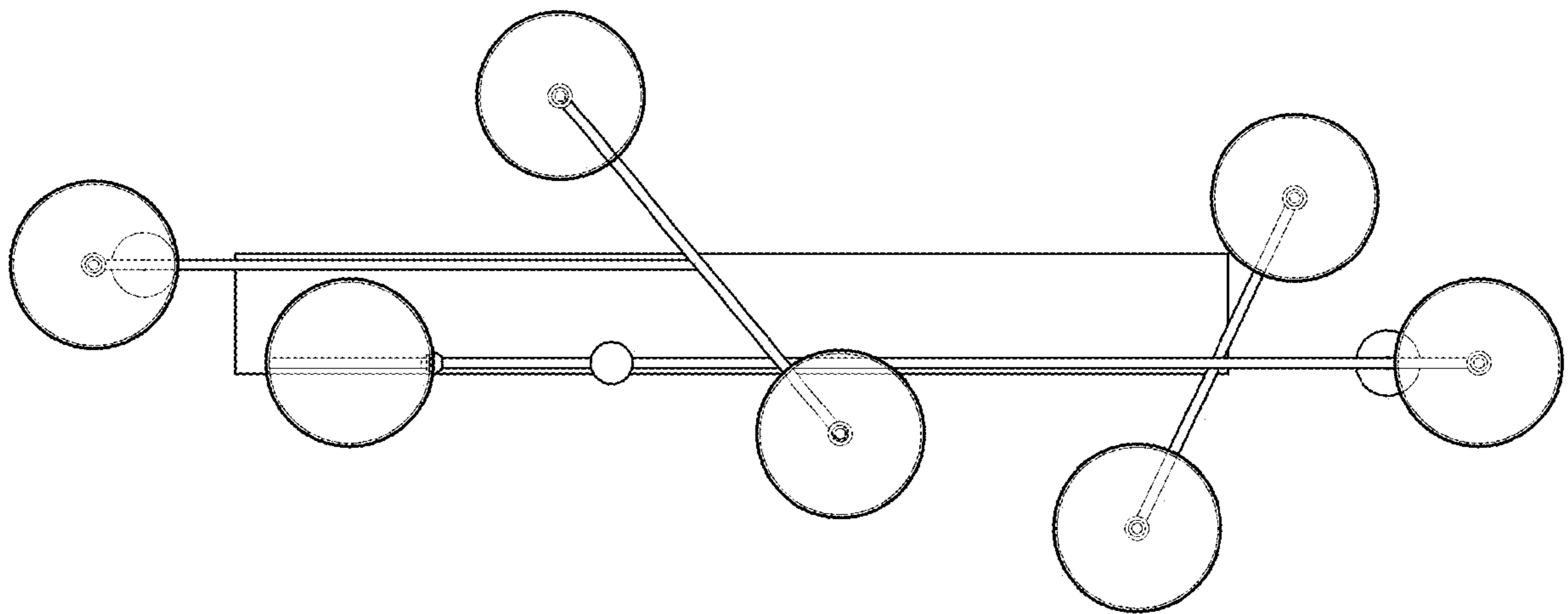


Fig. 7