



US00D948098S

(12) **United States Design Patent** (10) **Patent No.:** **US D948,098 S**
Yan (45) **Date of Patent:** **** Apr. 5, 2022**

(54) **DESK LAMP**
(71) Applicant: **Wuying Yan, Zigong (CN)**
(72) Inventor: **Wuying Yan, Zigong (CN)**
(**) Term: **15 Years**
(21) Appl. No.: **29/776,128**
(22) Filed: **Mar. 28, 2021**
(51) **LOC (13) Cl.** **26-05**
(52) **U.S. Cl.**
USPC **D26/63**
(58) **Field of Classification Search**
USPC D26/24, 51, 56, 61, 63, 64, 65, 93, 94,
D26/100, 106, 107
CPC F21S 6/00; F21S 6/002; F21S 6/003; F21S
6/004; F21S 6/005; F21S 6/006; F21S
8/036; F21V 21/06; F21V 21/14; F21V
21/26; F21V 21/30; F21V 12/01
See application file for complete search history.

D790,748 S 6/2017 Starck
D882,142 S * 4/2020 Huang D26/63
D890,974 S * 7/2020 Huang D26/63
D919,153 S * 5/2021 Huang D26/63
D927,753 S * 8/2021 Liu D26/65
D931,515 S * 9/2021 Zhang D26/63

* cited by examiner

Primary Examiner — Wan Laymon
Assistant Examiner — Clint A Samuel
(74) *Attorney, Agent, or Firm* — W&KIP

(57) **CLAIM**

The ornamental design for a desk lamp, as shown and described.

DESCRIPTION

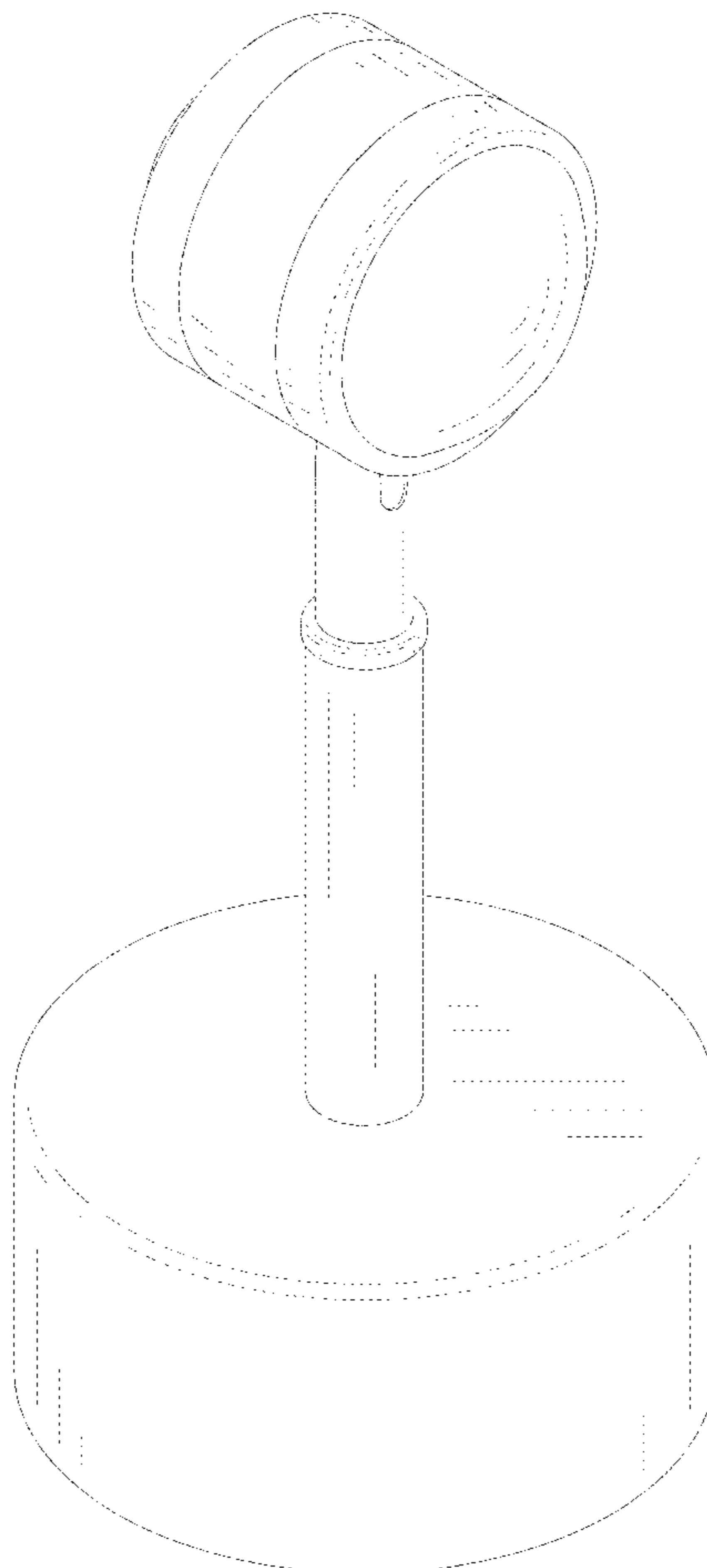
FIG. 1 is a perspective view of a desk lamp showing my new design;
FIG. 2 is a front view thereof;
FIG. 3 is a back view thereof;
FIG. 4 is a left side view thereof;
FIG. 5 is a right side view thereof;
FIG. 6 is a top plan view thereof; and,
FIG. 7 is a bottom plan view thereof.

(56) **References Cited**

U.S. PATENT DOCUMENTS

D729,965 S * 5/2015 Recker D26/63
D790,109 S 6/2017 Starck

1 Claim, 7 Drawing Sheets



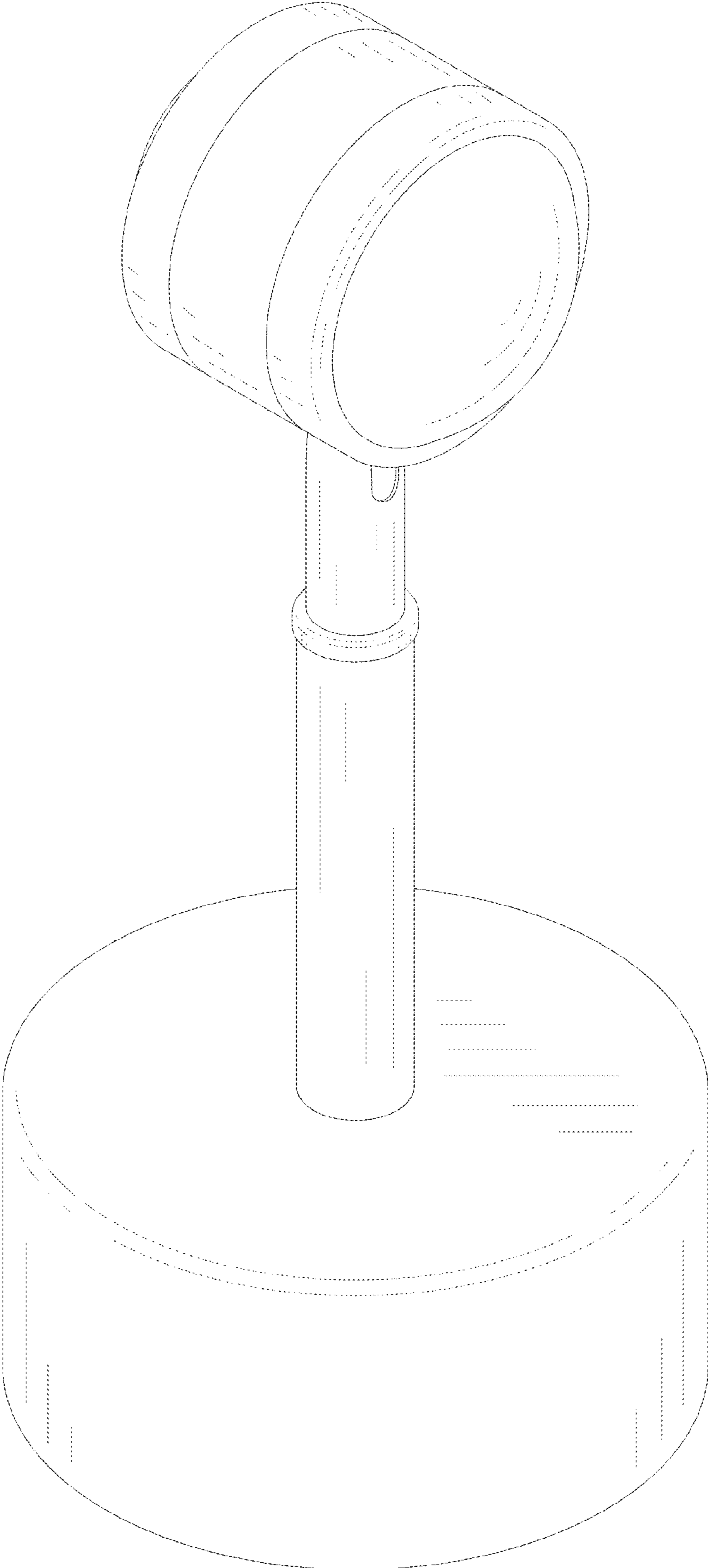


FIG. 1

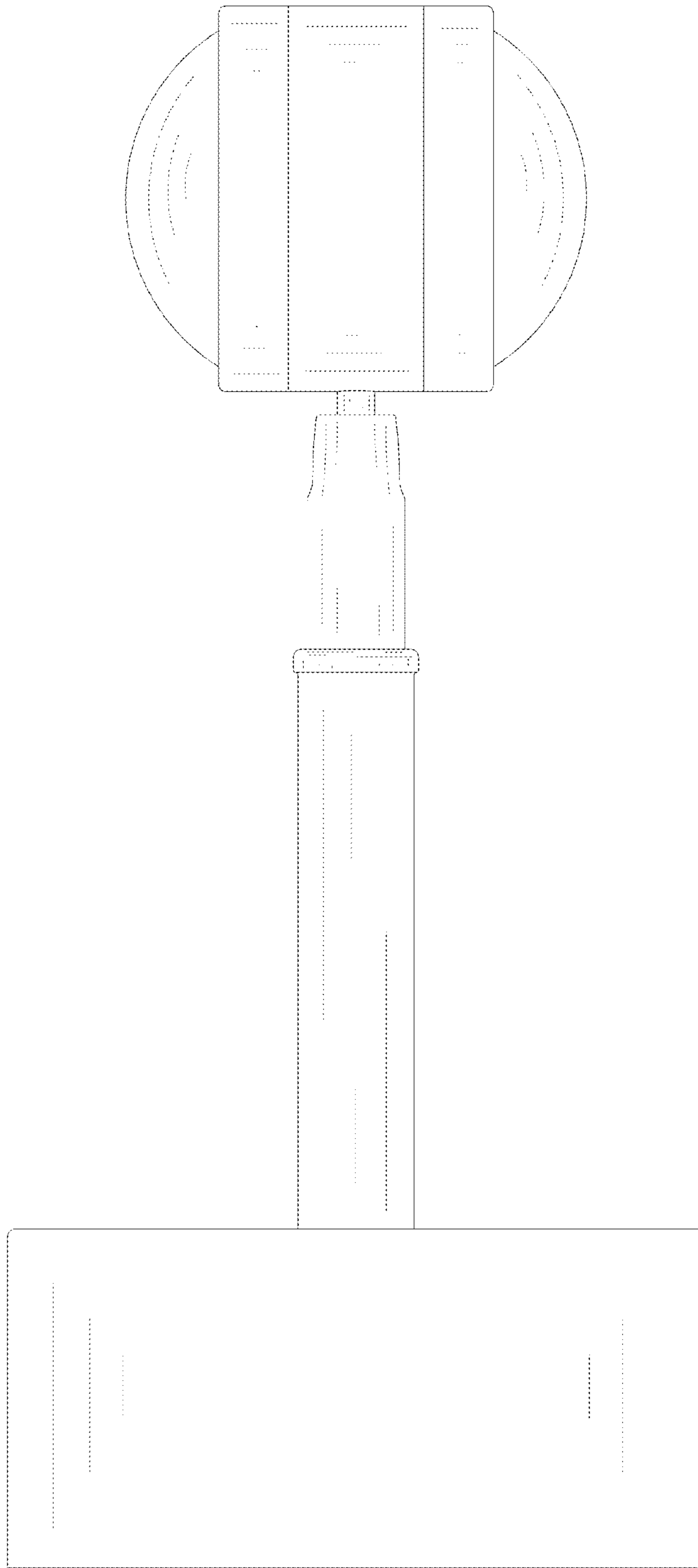


FIG. 2

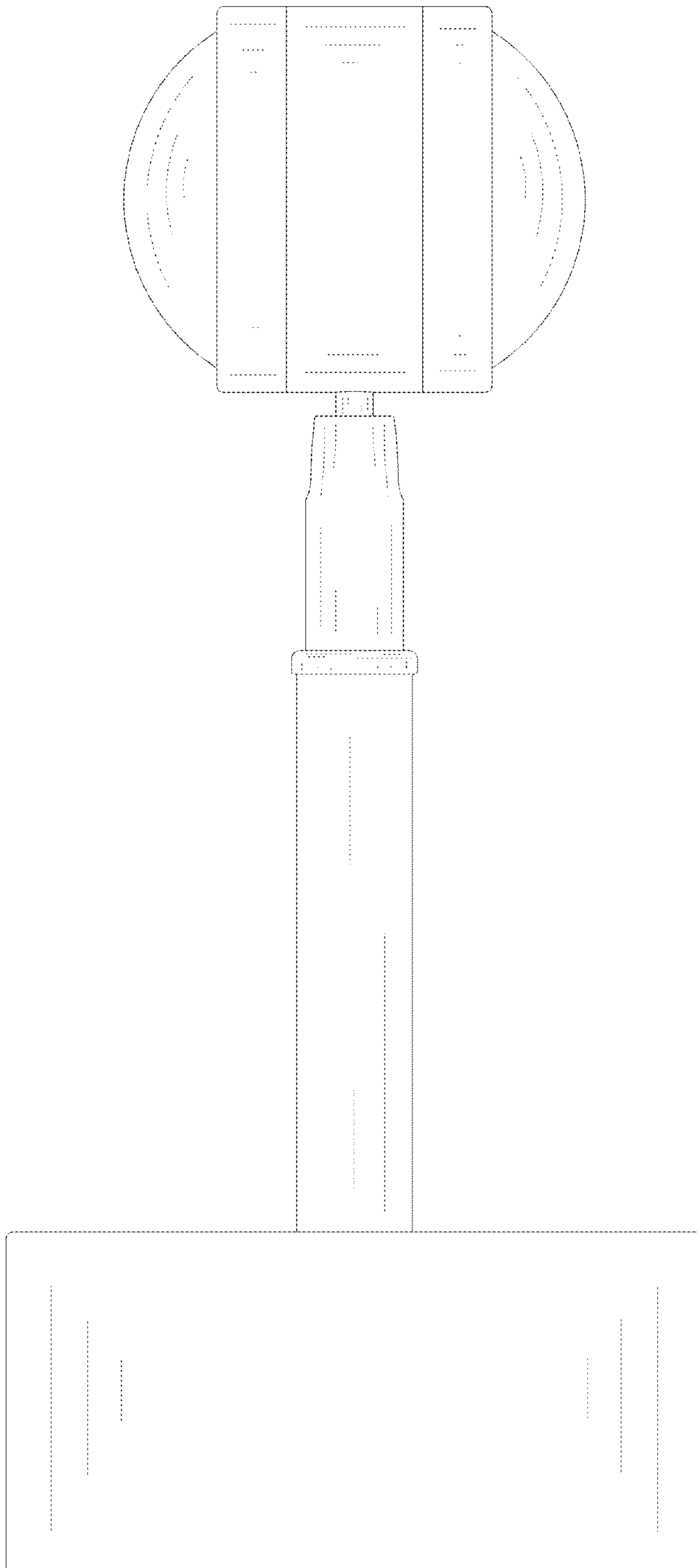


FIG. 3

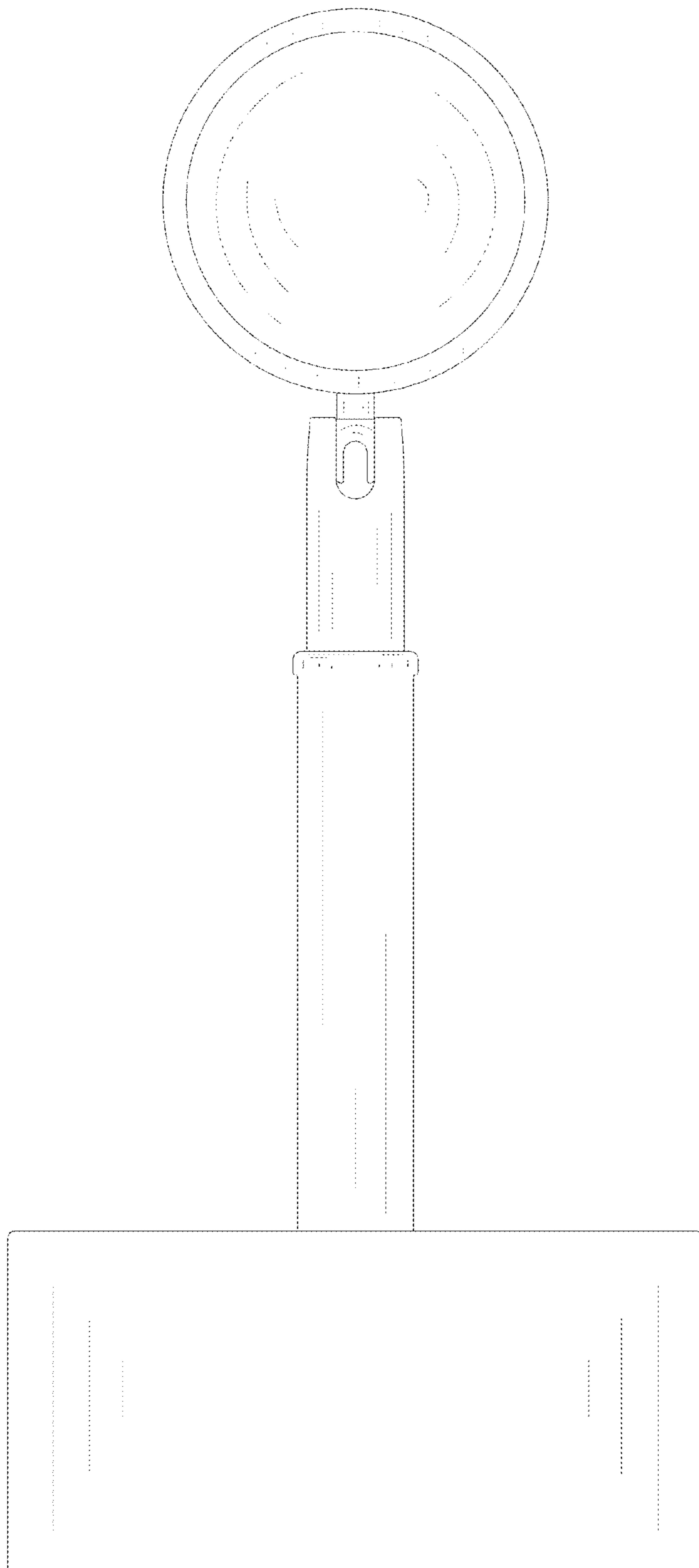


FIG. 4

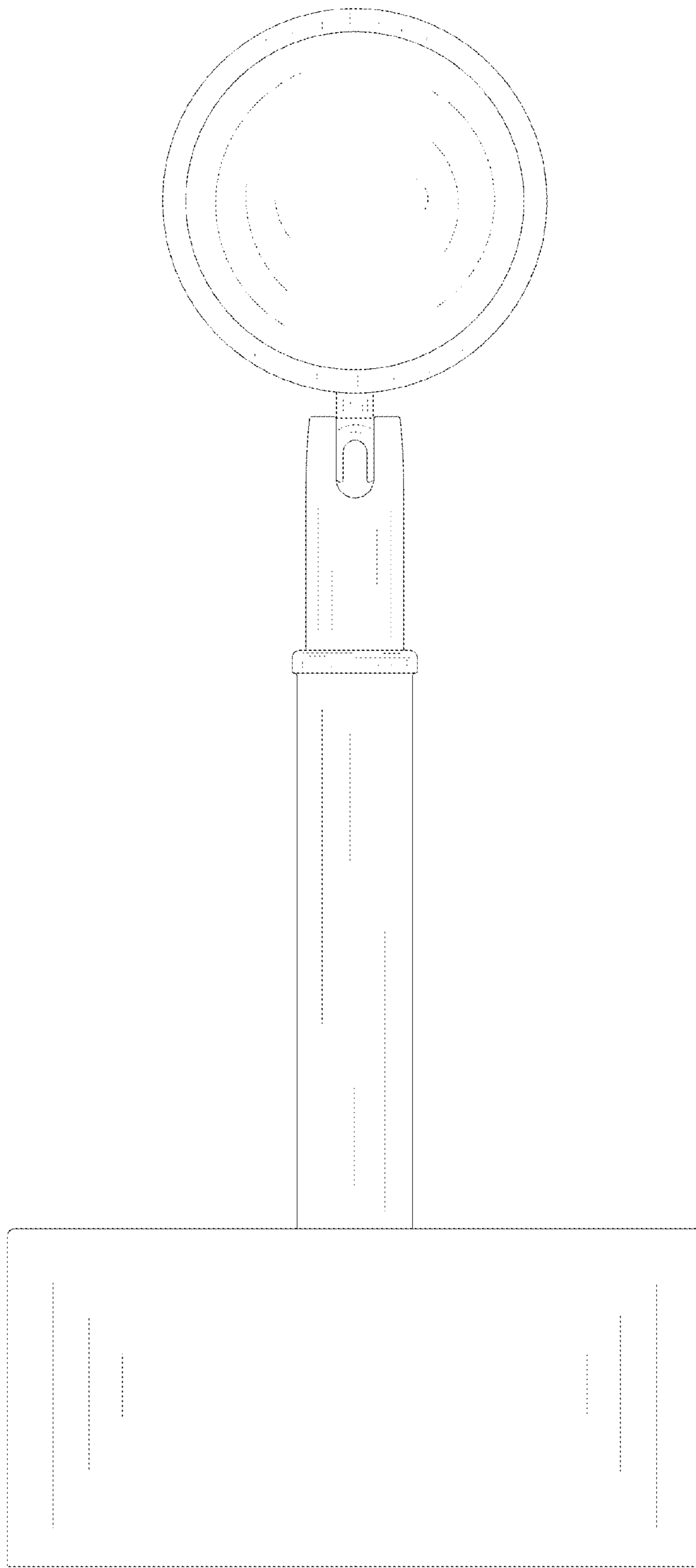


FIG. 5

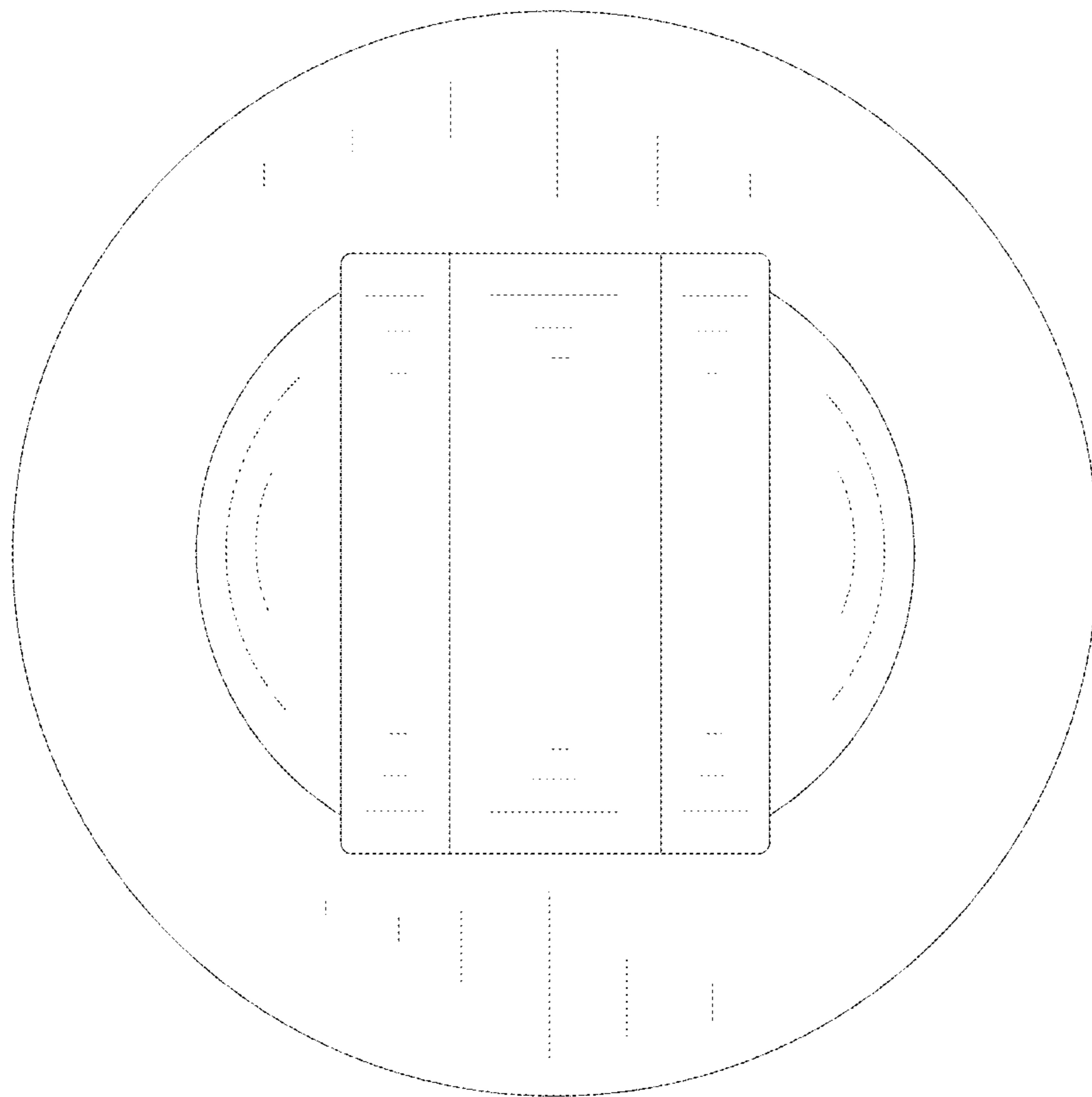


FIG. 6

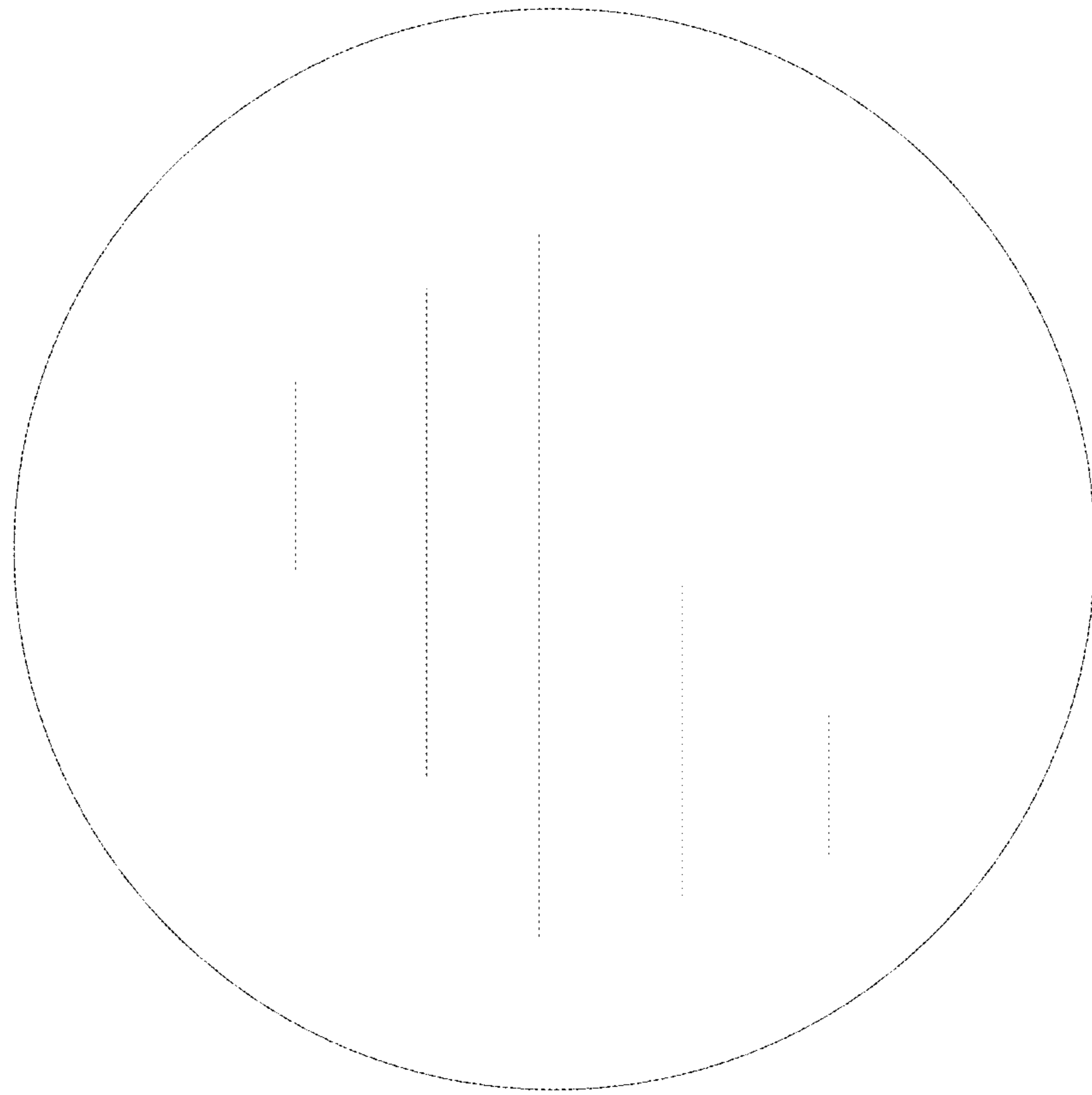


FIG. 7