



US00D948094S

(12) **United States Design Patent** (10) **Patent No.:** **US D948,094 S**  
**Heit** (45) **Date of Patent:** **\*\* Apr. 5, 2022**

- (54) **LED DRINK WRAP**
- (71) Applicant: **NITE IZE, INC.**, Boulder, CO (US)
- (72) Inventor: **Joshua Heit**, Westminster, CO (US)
- (73) Assignee: **Nite Ize, Inc.**, Boulder, CO (US)
- (\*\*) Term: **15 Years**
- (21) Appl. No.: **29/694,856**
- (22) Filed: **Jun. 13, 2019**

D594,708 S \* 6/2009 Silverstein ..... D7/607  
 D606,366 S \* 12/2009 Dunne ..... D7/607  
 D643,692 S \* 8/2011 Selina ..... D7/607

(Continued)

**FOREIGN PATENT DOCUMENTS**

CN 202302948 U 7/2012

**OTHER PUBLICATIONS**

Nite Ize Slaplit LED Drink Wrap. By Batteryjunction.com. Dated Oct. 2, 2018. Found online [Jun. 14, 2021]. [https://www.batteryjunction.com/nite-ize-slaplit-led-drink-wrap.html?gclid=EAIaIQobChMI-dzFmMSX8QIVDuDICH2foAZREAQYASABEgL3tfD\\_BwE](https://www.batteryjunction.com/nite-ize-slaplit-led-drink-wrap.html?gclid=EAIaIQobChMI-dzFmMSX8QIVDuDICH2foAZREAQYASABEgL3tfD_BwE) (Year: 2018).\*

(Continued)

*Primary Examiner* — Marissa J Cash  
*Assistant Examiner* — William B Melliar  
 (74) *Attorney, Agent, or Firm* — Haynes and Boone, LLP

(57) **CLAIM**

The ornamental design for a LED drink wrap, as shown and described.

**DESCRIPTION**

FIG. 1 shows a front perspective view of a LED drink wrap; FIG. 2 shows a rear perspective view of the LED drink wrap; FIG. 3 shows a front view of the LED drink wrap of FIG. 1; FIG. 4 shows a rear view of the LED drink wrap of FIG. 1; FIG. 5 shows a right side view of the LED drink wrap of FIG. 1; FIG. 6 shows a left side view of the LED drink wrap of FIG. 1; FIG. 7 shows a top view of the LED drink wrap of FIG. 1; and, FIG. 8 shows a bottom view of the LED drink wrap of FIG. 1.

**1 Claim, 3 Drawing Sheets**

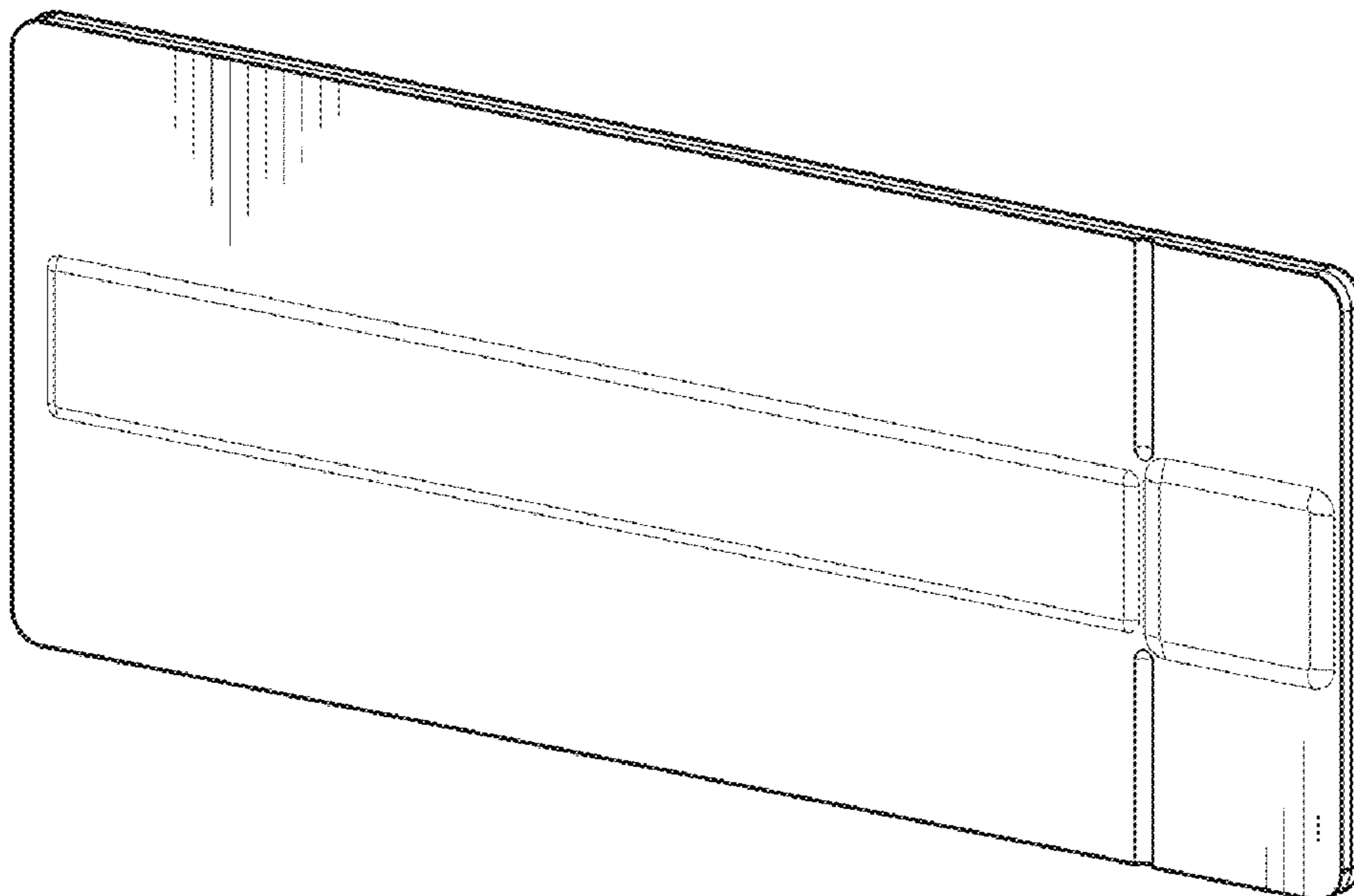
**Related U.S. Application Data**

- (63) Continuation-in-part of application No. 29/650,704, filed on Jun. 8, 2018.
- (51) **LOC (13) Cl.** ..... **26-05**
- (52) **U.S. Cl.**  
USPC ..... **D26/51**
- (58) **Field of Classification Search**  
USPC ..... D26/24, 37-52, 56, 113, 118;  
D7/605-608, 620, 624.1-624.2, 507, 388;  
D9/702, 711, 713, 715-716, 719, 517  
See application file for complete search history.

(56) **References Cited**

**U.S. PATENT DOCUMENTS**

D383,228 S \* 9/1997 Petruzzi ..... D26/37  
 D410,759 S \* 6/1999 Petruzzi ..... D26/37  
 D411,636 S \* 6/1999 Petruzzi ..... D26/37  
 D419,705 S \* 1/2000 Petruzzi ..... D26/38  
 D422,454 S \* 4/2000 Michael Bain ..... D7/607  
 D429,447 S \* 8/2000 Prag ..... D7/607  
 D430,778 S \* 9/2000 Wenck ..... D7/607  
 D531,460 S \* 11/2006 McIntosh ..... D7/624.2  
 D582,064 S \* 12/2008 Mukai ..... D26/24  
 D594,707 S \* 6/2009 Silverstein ..... D7/607



(56)

**References Cited**

U.S. PATENT DOCUMENTS

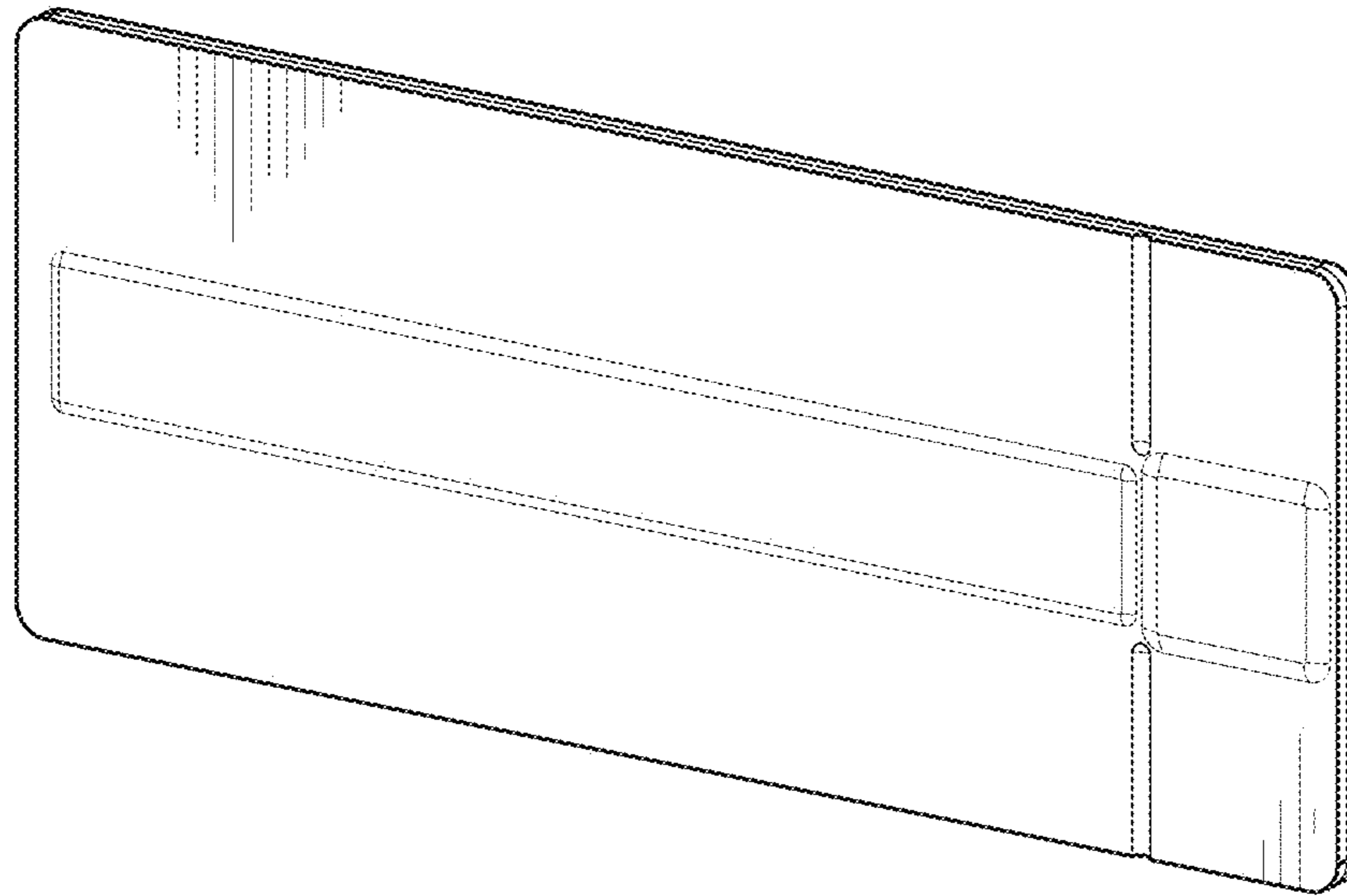
D677,985	S *	3/2013	Lucas .....	D7/392.1
D679,554	S *	4/2013	Molz .....	D7/624.2
D699,376	S *	2/2014	Kim .....	D26/37
D704,005	S *	5/2014	Marshall .....	D7/624.2
D708,483	S *	7/2014	Gut .....	D7/624.2
D717,272	S *	11/2014	Kim .....	D14/204
D720,577	S *	1/2015	Gallegos .....	D7/624.2
D728,771	S *	5/2015	Santeler .....	D23/386
D857,980	S *	8/2019	Schweid .....	D26/120
D866,814	S *	11/2019	Tanaka .....	D26/24
D884,340	S *	5/2020	Snover .....	D3/249
D908,271	S *	1/2021	Hawthorne .....	D26/120
2001/0030858	A1	10/2001	Krietzman et al.	
2004/0014384	A1	1/2004	Sloot	
2005/0236468	A1 *	10/2005	Sadlier .....	B65D 81/3865 229/403
2006/0076376	A1	4/2006	Kemery et al.	
2009/0183299	A1 *	7/2009	Conway .....	A45C 13/30 2/170
2009/0217492	A1	9/2009	Gallant et al.	
2014/0000984	A1	1/2014	Thornton	
2016/0290624	A1 *	10/2016	Dai .....	F21L 4/02
2019/0374056	A1 *	12/2019	Heit .....	A45F 3/16

OTHER PUBLICATIONS

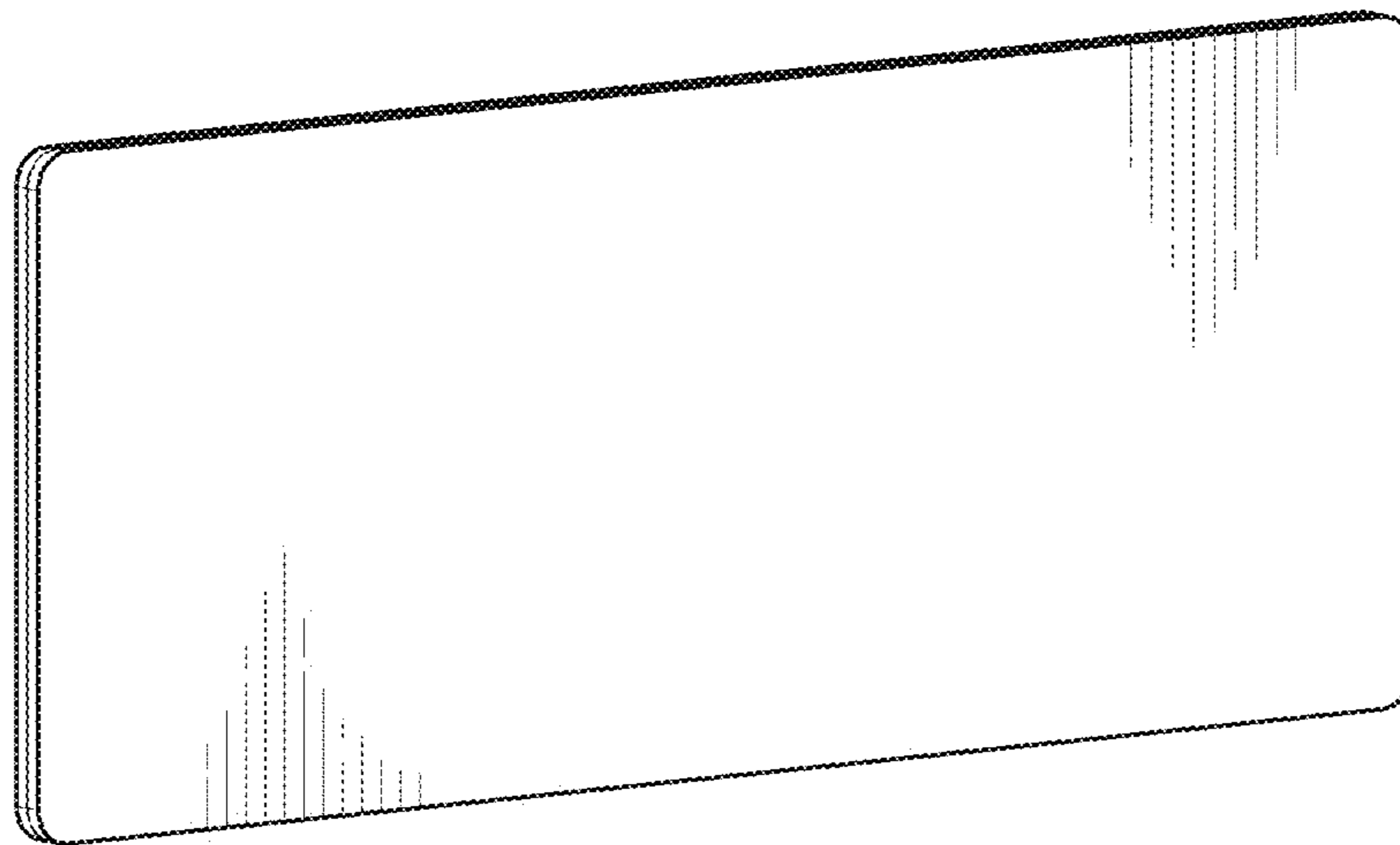
International Search Report and Written Opinion dated Jan. 31, 2020 issued in related PCT App. No. PCT/US2019/063792 (12 pages).

\* cited by examiner

**FIG. 1**



**FIG. 2**



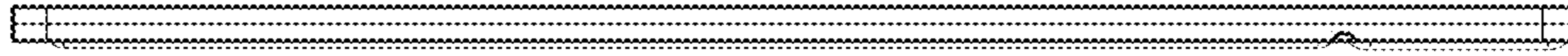
**FIG. 3**



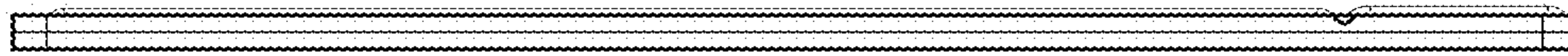
**FIG. 4**



**FIG. 5**



**FIG. 6**



**FIG. 7**



**FIG. 8**

