



US00D948093S

(12) **United States Design Patent** (10) **Patent No.:** **US D948,093 S**  
**Rajasekaran** (45) **Date of Patent:** **\*\* Apr. 5, 2022**

(54) **LANTERN**  
(71) Applicant: **E. MISHAN & SONS, INC.**, New York, NY (US)  
(72) Inventor: **Mohan Rajasekaran**, Watertown, CT (US)  
(73) Assignee: **E. MISHAN & SONS, INC.**, New York, NY (US)  
(\*\*) Term: **15 Years**

*Primary Examiner* — Marissa J Cash  
*Assistant Examiner* — William B Melliar  
(74) *Attorney, Agent, or Firm* — Notaro, Michalos & Zaccaria P.C.

(21) Appl. No.: **29/764,876**  
(22) Filed: **Jan. 4, 2021**  
(51) **LOC (13) Cl.** ..... **26-02**  
(52) **U.S. Cl.**  
USPC ..... **D26/41**  
(58) **Field of Classification Search**  
USPC ..... D26/7-10, 24, 37-52, 60-61, 63, 113,  
D26/118-119, 123-124, 138; D28/91.1  
(Continued)

(57) **CLAIM**  
The ornamental design for a lantern, as shown and described.

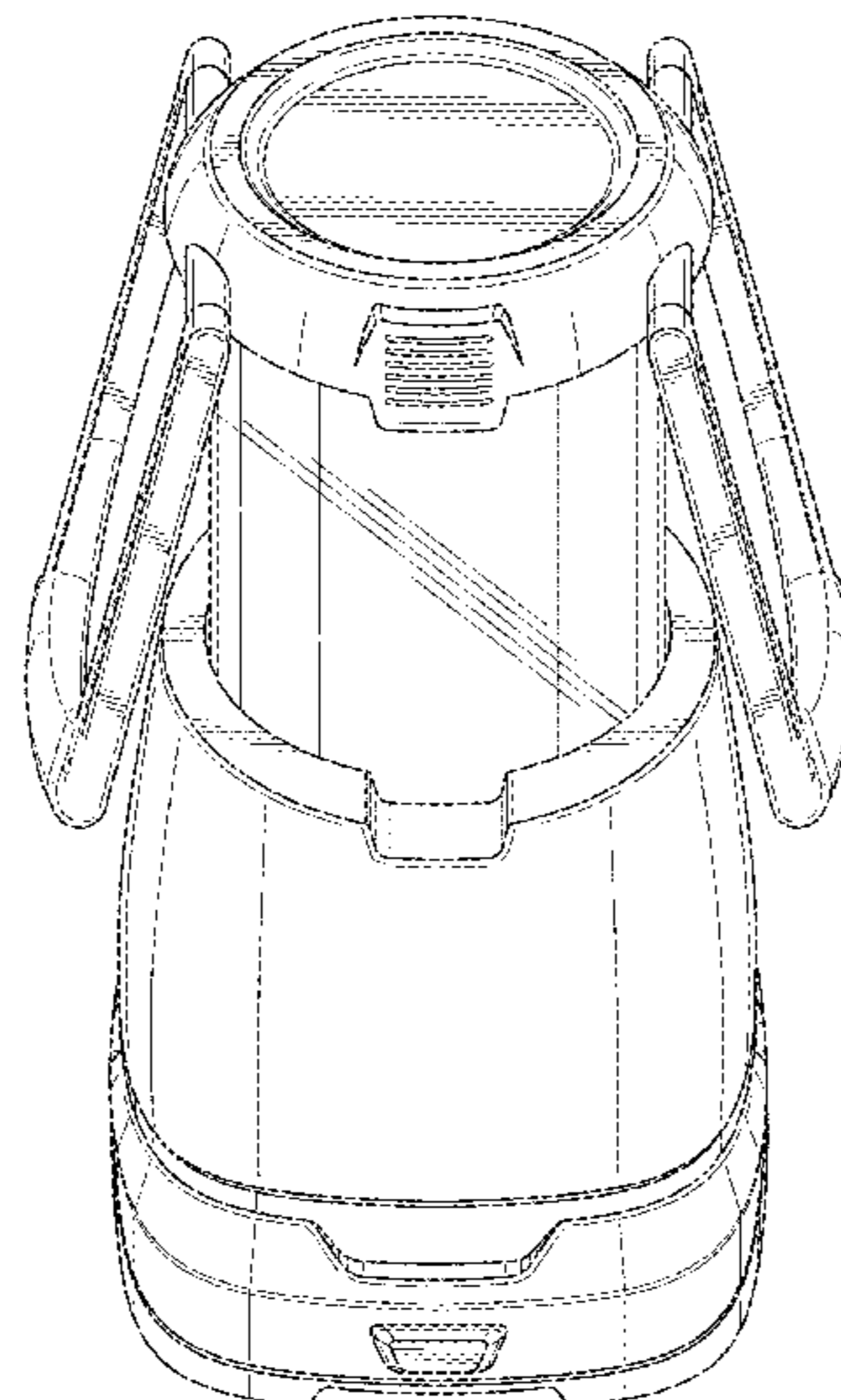
(56) **References Cited**  
**U.S. PATENT DOCUMENTS**  
D311,964 S 11/1990 Wan  
D312,317 S 11/1990 Tang  
(Continued)  
**FOREIGN PATENT DOCUMENTS**  
CN 200530075081 \* 11/2006  
CN 201630074478.9 \* 8/2016  
(Continued)

**DESCRIPTION**  
FIG. 1 is a top, front perspective view of a lantern showing my design;  
FIG. 2 is a front elevational view thereof;  
FIG. 3 is a rear elevational view thereof;  
FIG. 4 is a right side elevational view thereof;  
FIG. 5 is a left side elevational view thereof;  
FIG. 6 is a top plan view thereof;  
FIG. 7 is a bottom plan view thereof;  
FIG. 8 is a top, front perspective view of the lantern of FIG. 1, shown in the collapsed orientation;  
FIG. 9 is a front elevational view of the lantern of FIG. 1, shown in the collapsed orientation;  
FIG. 10 is a rear elevational view of the lantern of FIG. 1, shown in the collapsed orientation;  
FIG. 11 is a right side elevational view of the lantern of FIG. 1, shown in the collapsed orientation;  
FIG. 12 is a left side elevational view of the lantern of FIG. 1, shown in the collapsed orientation;  
FIG. 13 is a top plan view of the lantern of FIG. 1, shown in the collapsed orientation; and,  
FIG. 14 is a bottom plan view of the lantern of FIG. 1, shown in the collapsed orientation.

**OTHER PUBLICATIONS**  
Ozark Trail 700 Lumen Rechargeable Camping Lantern. By 12codyishere. Dated Nov. 28, 2018. Found online [Jul. 20, 2021]. <https://www.youtube.com/watch?v=cXxHxINOAWo> (Year: 2018).\*  
(Continued)

The evenly spaced broken lines shown in the drawings depict portions of the lantern that form no part of the claimed design. The additional dot-dash-dot lines shown in FIGS. 7 and 14 depict the bounds of the claimed design and form no part thereof.

**1 Claim, 14 Drawing Sheets**



(58) **Field of Classification Search**

CPC ..... F21Y 2115/10; F21Y 2101/00; F21Y 2113/13; F21Y 2113/00; F21Y 2113/20; F21Y 2103/10; F21Y 2105/10; F21Y 2107/30; F21Y 2113/10; F21L 4/08; F21L 4/00; F21L 19/00; F21L 4/02; F21L 2/00; F21L 4/027; F21L 4/04; F21L 26/00; F21L 4/005; F21L 13/00; F21L 14/00; F21L 15/08; F21L 19/003; F21L 19/006; F21L 27/00; F21L 4/025; F21L 4/045; F21L 4/06; F21W 2121/00; F21W 2111/10; F21W 2131/10; F21W 2131/109; F21W 2111/00; F21W 2111/04; F21W 2111/043; F21W 2111/047; F21W 2111/06; F21W 2121/004; F21W 2131/1005; F21W 2131/103; F21W 2131/40; F21V 23/0414; F21V 21/406; F21V 15/01; F21V 21/08; F21V 21/145; F21V 33/008; F21V 1/06; F21V 21/0885; F21V 33/0028; F21V 17/007; F21V 21/06; F21V 21/084; F21V 21/22; F21V 33/0056; F21V 35/00; F21V 3/00; F21V 7/04; F21V 7/041; F21V 17/002; F21V 21/0824; F21V 21/0832; F21V 23/04; F21V 23/0435; F21V 23/0464; F21V 3/023; F21V 5/006; F21V 5/04; F21V 9/30; F21V 14/00; F21V 17/107; F21V 17/16; F21V 21/088; F21V 21/0965; F21V 23/003; F21V 23/004; F21V 23/0428; F21V 23/0442; F21V 23/0471; F21V 23/06; F21V 29/83; F21V 29/89; F21V 31/005; F21V 33/0076; F21V 7/0025; F21V 7/0075; F21V 11/00; F21V 11/08; F21V 11/10; F21V 11/14; F21V 13/02; F21V 13/04; F21V 13/045; F21V 13/12; F21V 14/025; F21V 14/045; F21V 15/012; F21V 15/02; F21V 17/02; F21V 17/06; F21V 17/101; F21V 17/105; F21V 17/18; F21V 19/001; F21V 19/047; F21V 19/06; F21V 1/02; F21V 1/14; F21V 1/18; F21V 21/10; F21V 21/14; F21V 21/30; F21V 21/40; F21V 23/002; F21V 23/005; F21V 23/02; F21V 23/0421; F21V 23/0492; F21V 29/505; F21V 29/51; F21V 29/70; F21V 29/717; F21V 29/74; F21V 29/75; F21V 29/76; F21V 29/763; F21V 31/04; F21V 33/00; F21V 33/0024; F21V 36/00; F21V 37/00; F21V 37/0004; F21V 37/0058; F21V 37/02; F21V 3/02; F21V 3/062; F21V 5/045; F21V 7/00; F21V 7/0008; F21V 7/0016; F21V 7/22; F21V 9/08; F21V 9/083

D434,163 S 11/2000 Lee  
 6,305,820 B1 10/2001 Poon  
 D452,023 S 12/2001 Poon  
 6,550,932 B2 4/2003 Poon  
 D529,647 S 10/2006 Shiu  
 D535,419 S 1/2007 Shiu  
 D537,968 S 3/2007 Shiu  
 D546,488 S 7/2007 Poon  
 D559,418 S 1/2008 Poon  
 D575,429 S 8/2008 Shiu  
 D576,756 S \* 9/2008 DeBrunner ..... D26/40  
 D608,920 S \* 1/2010 Loi ..... D26/40  
 D610,283 S 2/2010 Loibl  
 D612,979 S 3/2010 Holsinger  
 D617,480 S \* 6/2010 DeBrunner ..... D26/40  
 D725,300 S 3/2015 Dalton  
 9,182,088 B2 11/2015 Workman  
 9,217,547 B2 12/2015 Sharrah  
 D747,022 S 1/2016 Leung  
 D747,523 S \* 1/2016 Salmon ..... D26/40  
 D794,235 S \* 8/2017 Green ..... D26/40  
 D794,856 S \* 8/2017 Green ..... D26/40  
 D809,687 S \* 2/2018 Krantz ..... D26/40  
 D809,688 S 2/2018 Christensen  
 D818,620 S \* 5/2018 Brown ..... D26/41  
 D820,480 S \* 6/2018 Kaliroff ..... D26/7  
 D823,506 S \* 7/2018 Shiu ..... D26/40  
 D838,885 S \* 1/2019 Liu ..... D26/40  
 D844,201 S 3/2019 Khubani  
 D846,168 S 4/2019 Badici  
 D850,683 S \* 6/2019 Shelton ..... D26/41  
 D863,634 S \* 10/2019 Xu ..... D26/41  
 D894,454 S 8/2020 Yang  
 D900,366 S \* 10/2020 Bertken ..... D26/40  
 D914,937 S \* 3/2021 Liu ..... D26/41  
 D919,865 S \* 5/2021 Le ..... D26/40  
 D921,946 S \* 6/2021 Zhang ..... D26/40  
 D923,220 S \* 6/2021 Thompson ..... D26/40  
 D923,221 S \* 6/2021 Yan ..... D26/40  
 2015/0009660 A1 \* 1/2015 Lee ..... F21V 15/012  
 362/186

See application file for complete search history.

(56) **References Cited**

U.S. PATENT DOCUMENTS

D317,057 S 5/1991 Argandona  
 5,758,949 A 6/1998 Van Deursen  
 6,030,094 A 2/2000 Sedovic

FOREIGN PATENT DOCUMENTS

CN 201630294321 \* 10/2016  
 CN 201630119453 \* 1/2017  
 CN 201630119454 \* 2/2017  
 CN 201730034719 \* 7/2017  
 CN 201730305491 \* 1/2018  
 CN 201930328957.2 \* 12/2019  
 EM 003991793-0001 5/2017  
 EM 004016947-0001 5/2017  
 EM 004054799-0001 6/2017  
 EM 004475507-0011 11/2017  
 EM 005630076-0006 9/2018  
 EM 005825932-0017 11/2018  
 EM 006522686-0001 5/2019  
 EM 006610796-0002 7/2019  
 EM 006891230-0004 9/2019  
 EM 008341390-0001 12/2020  
 JP 9-77033 \* 2/2000  
 JP 1312982 \* 10/2007

OTHER PUBLICATIONS

Cascade Mountain Tech LED Multi-mode Pop Up Lantern. By Cascade Mountain Tech. Dated Jun. 26, 2018. Found online [Jul. 20, 2021]. <https://cascademountaintech.com/products/pop-up-led-lantern-3-pack#shopify-product-reviews> (Year: 2018).\*

\* cited by examiner



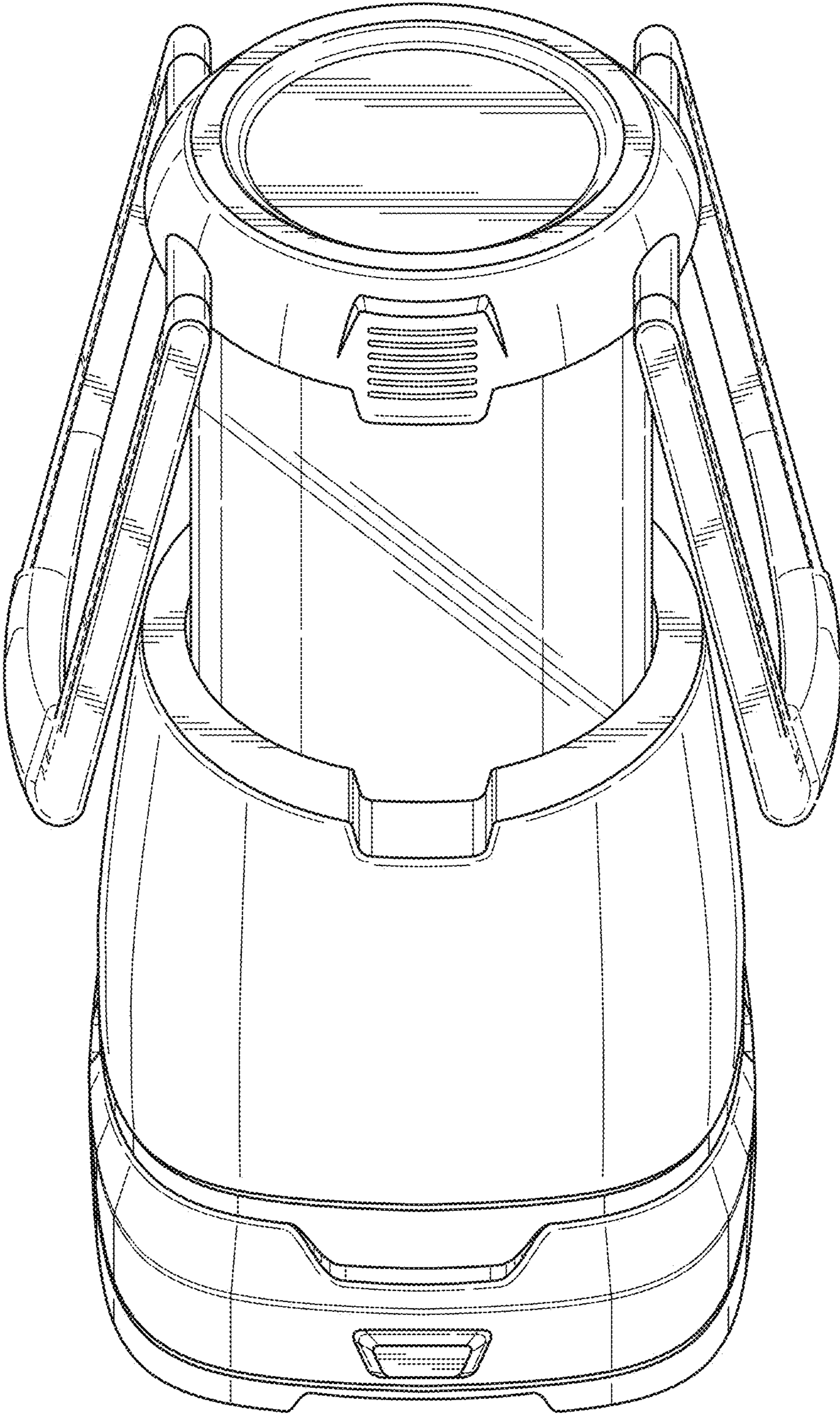


FIG. 1

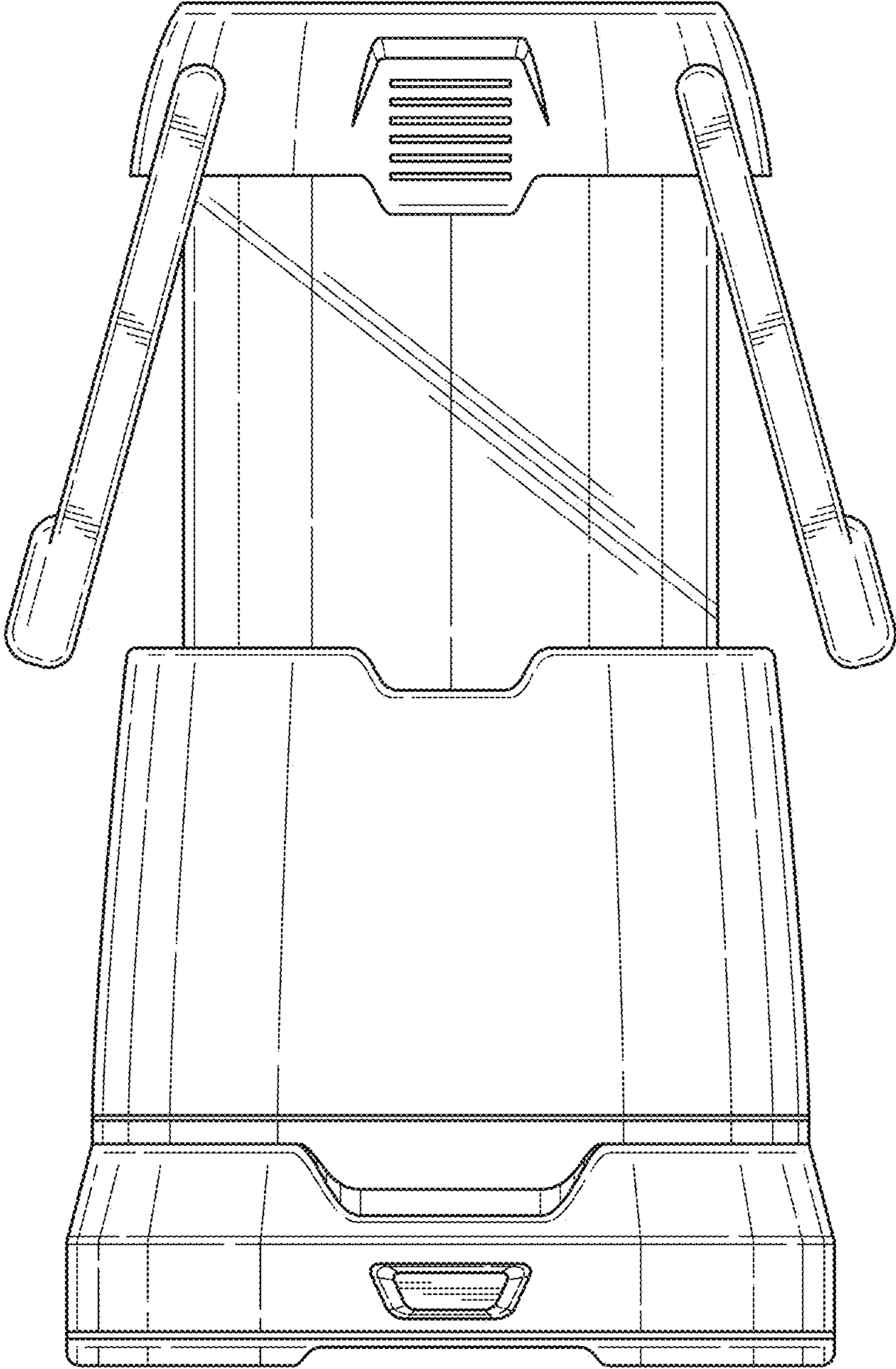


FIG. 2

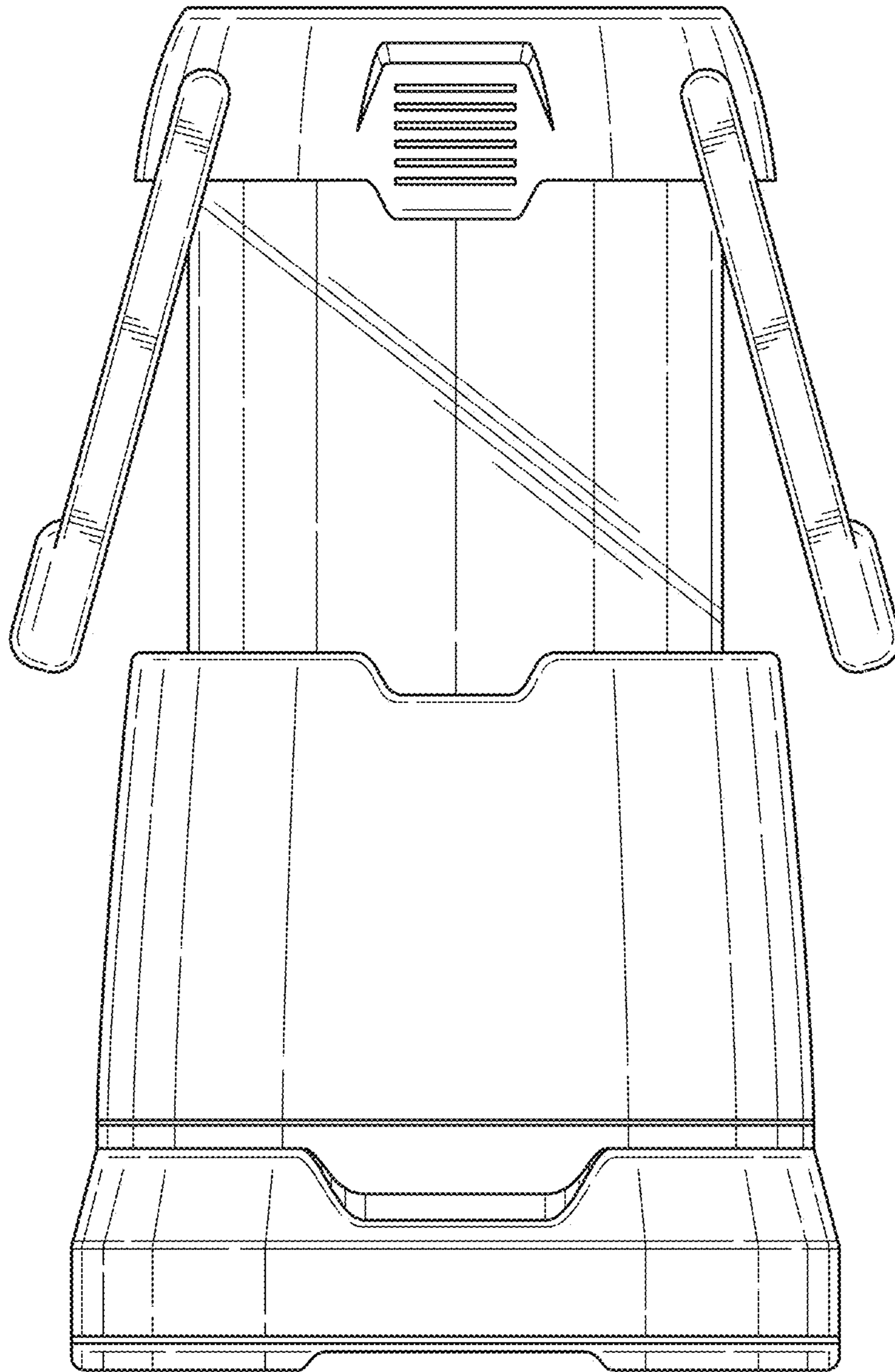


FIG. 3

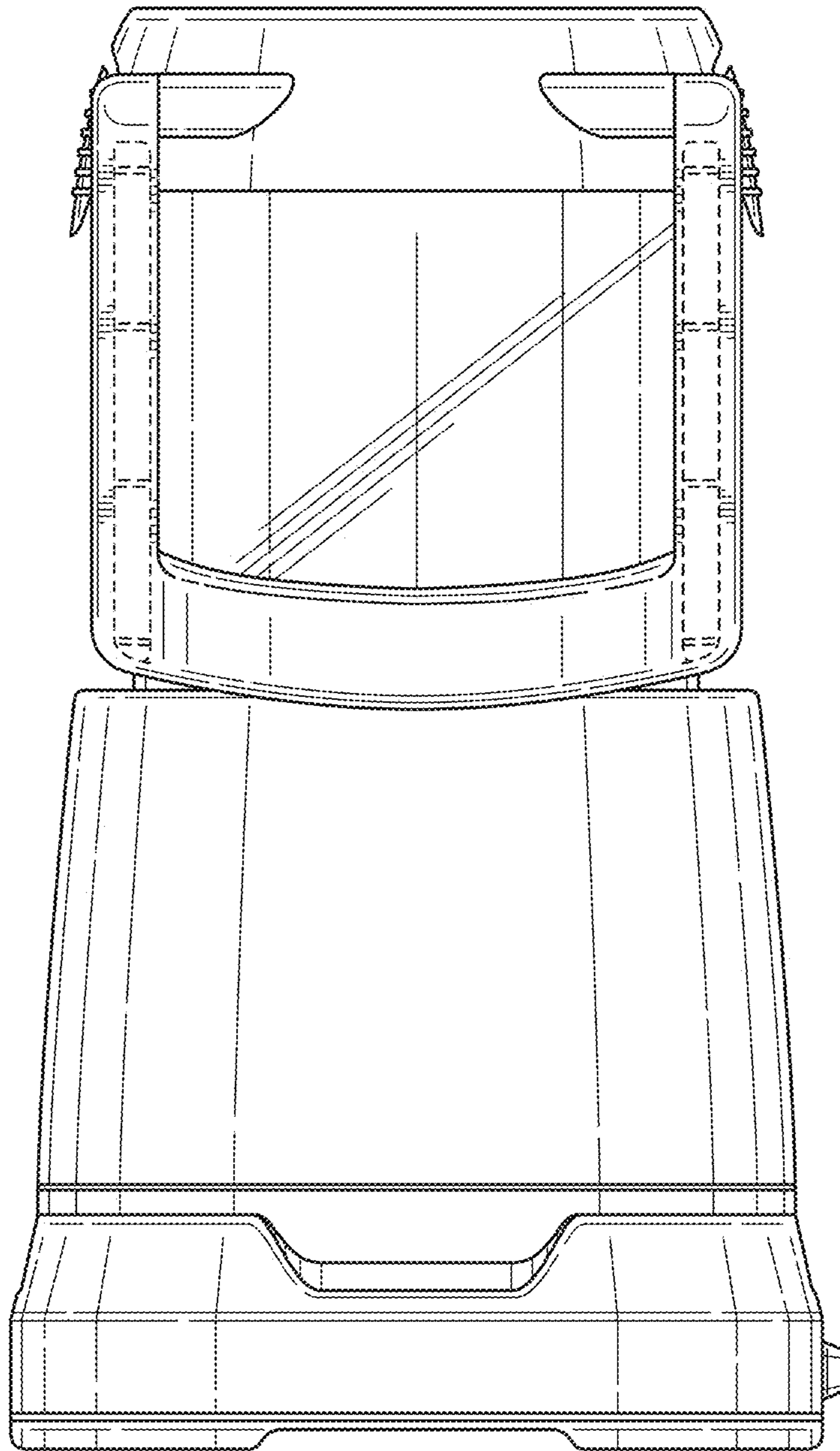


FIG. 4



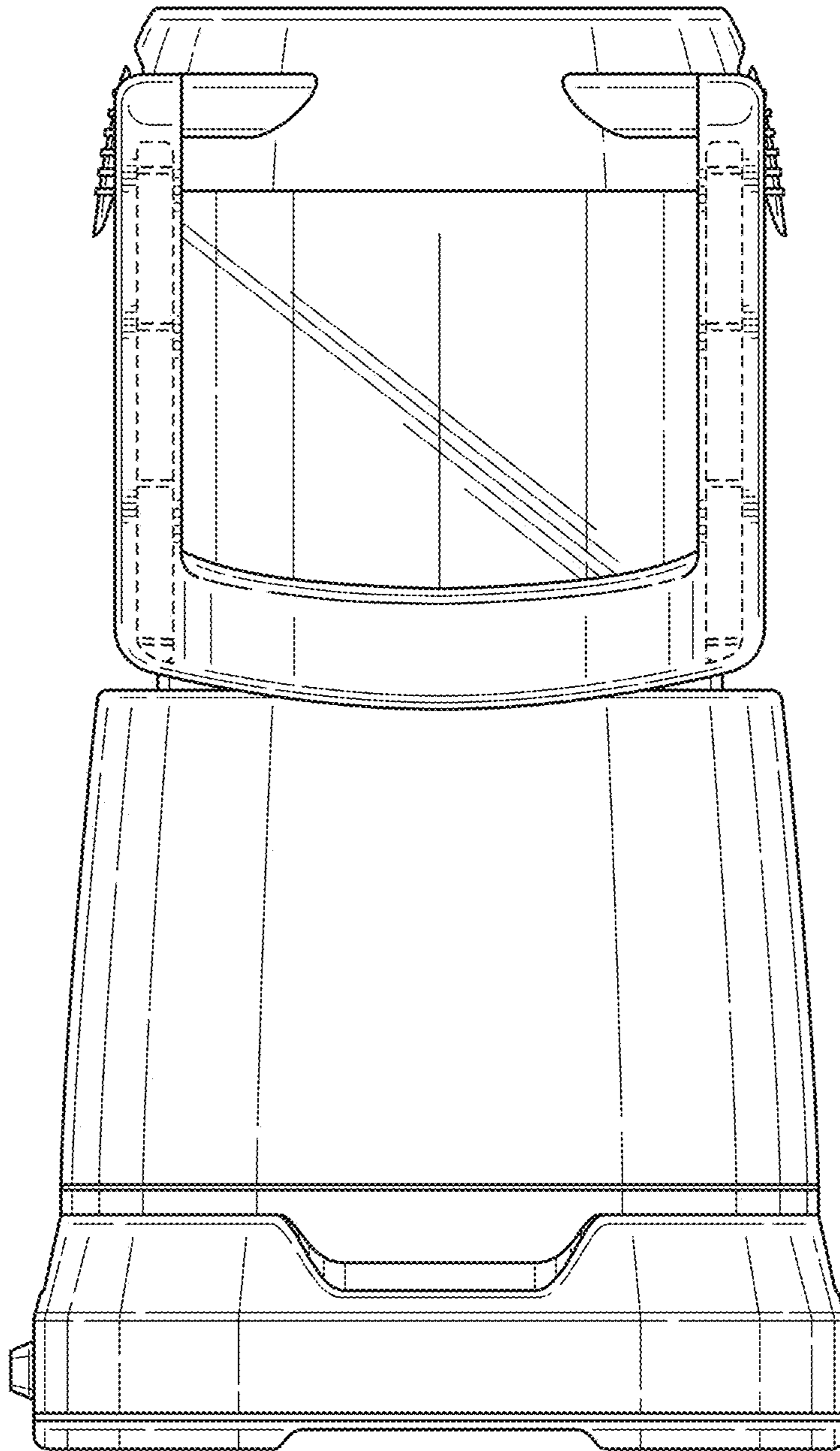


FIG. 5

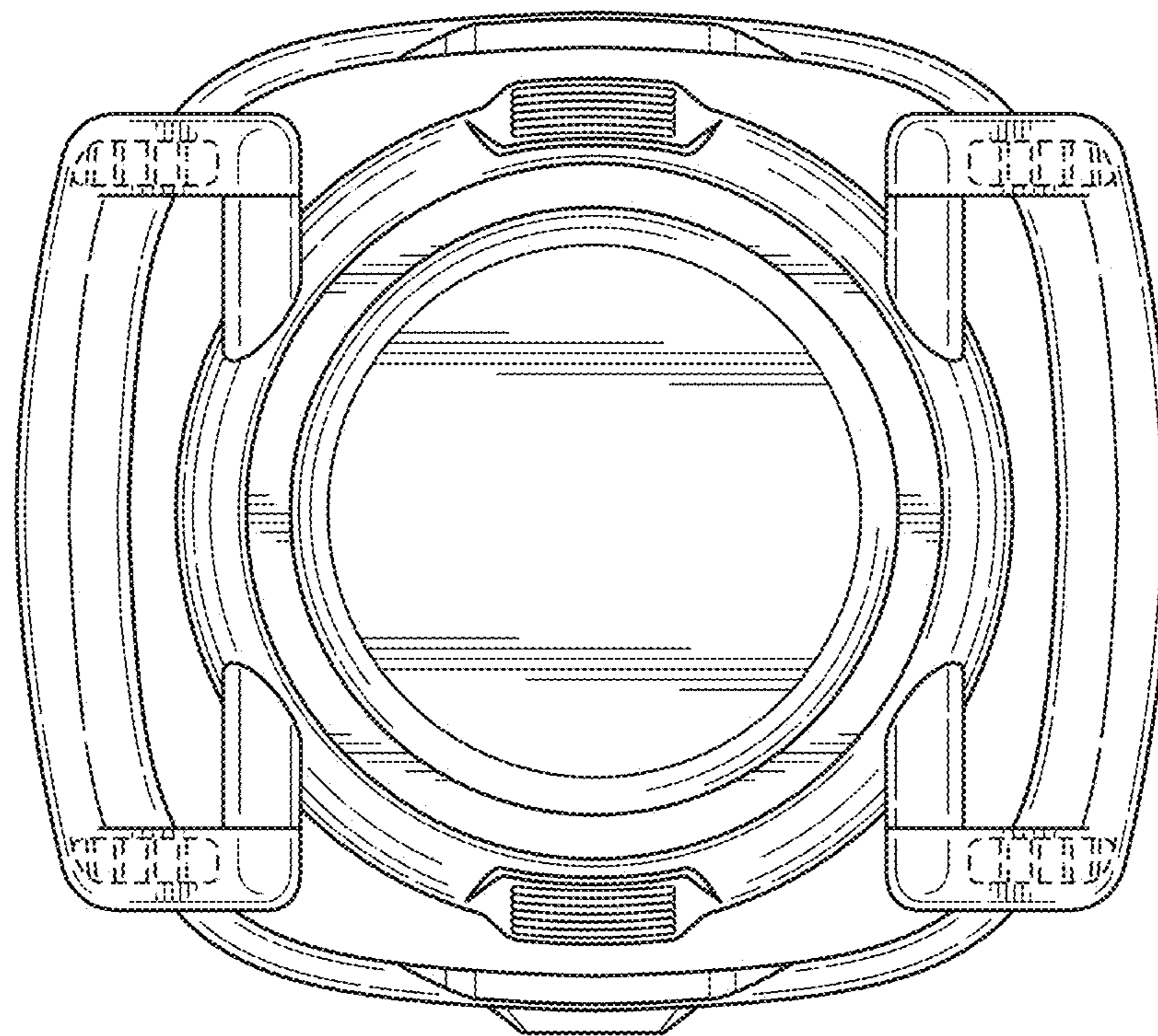


FIG. 6



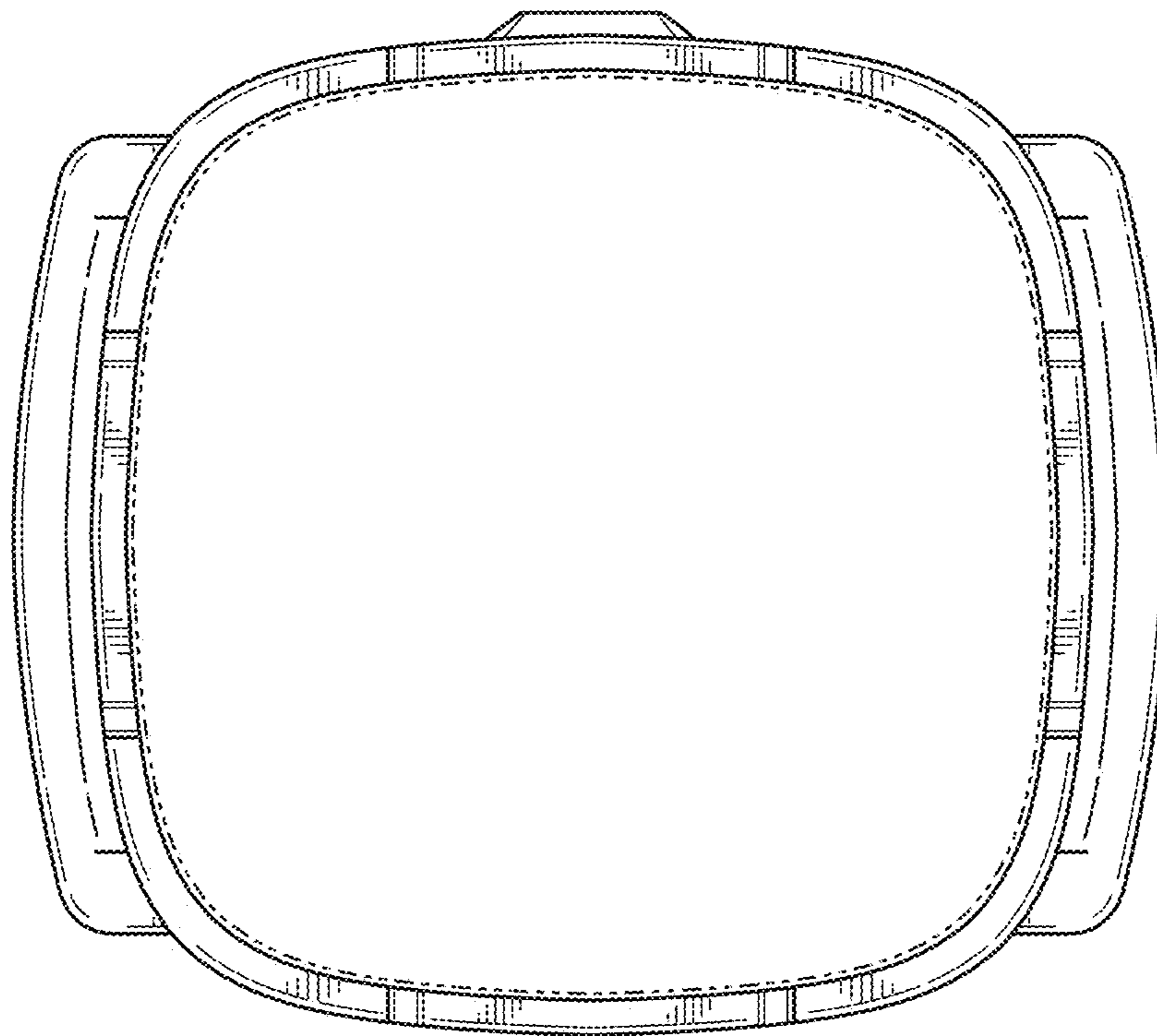


FIG. 7

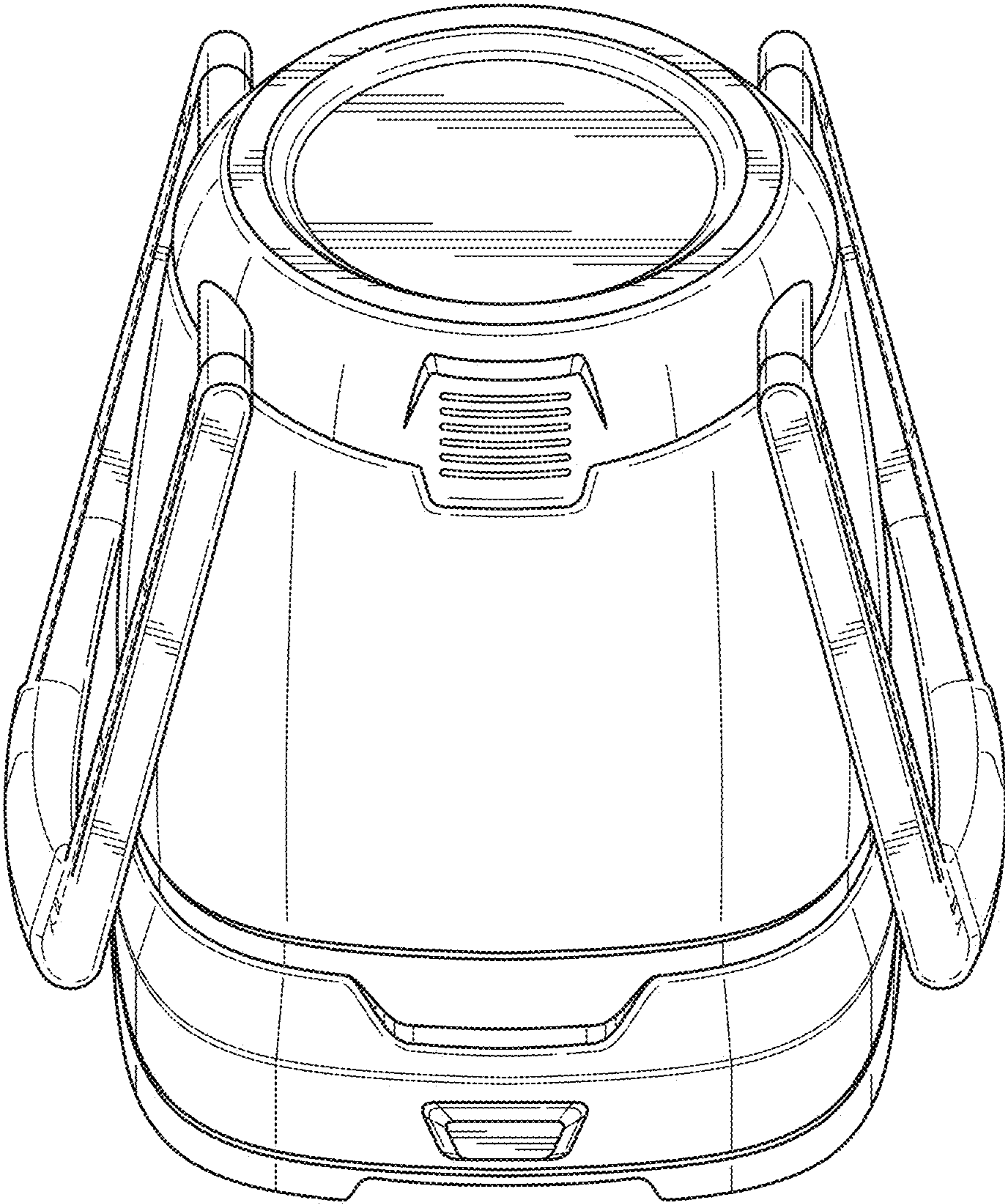


FIG. 8

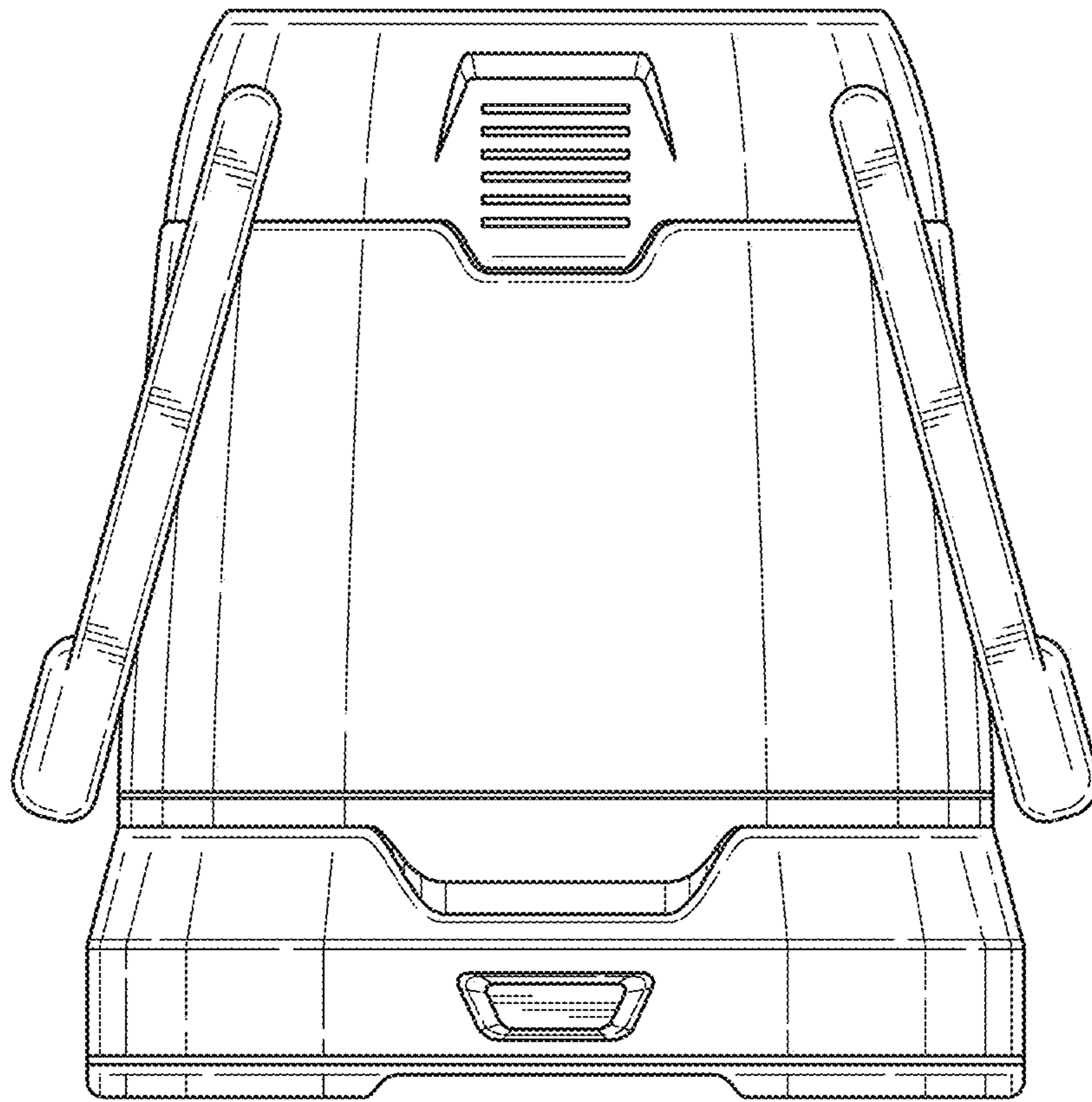


FIG. 9



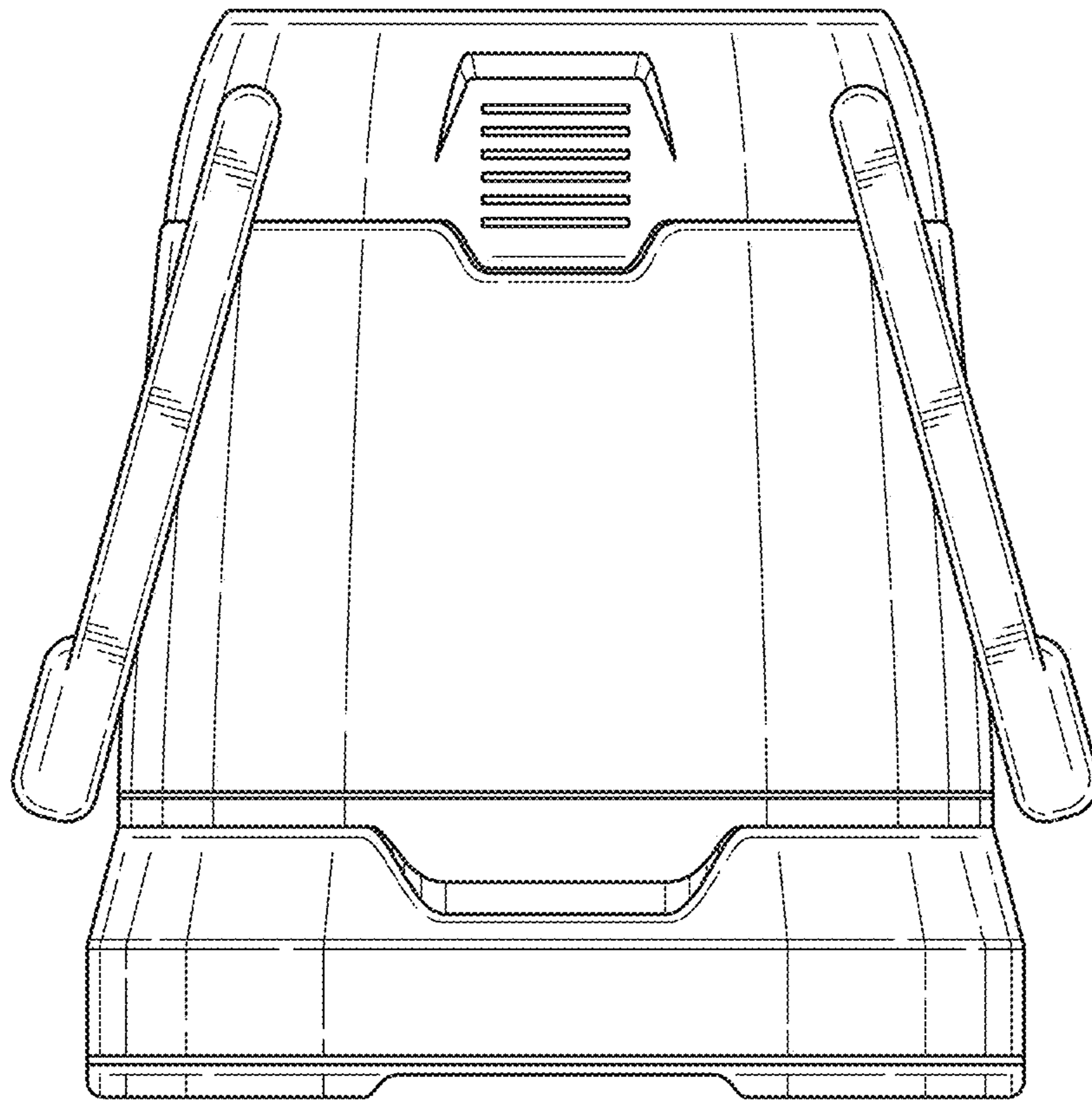


FIG. 10

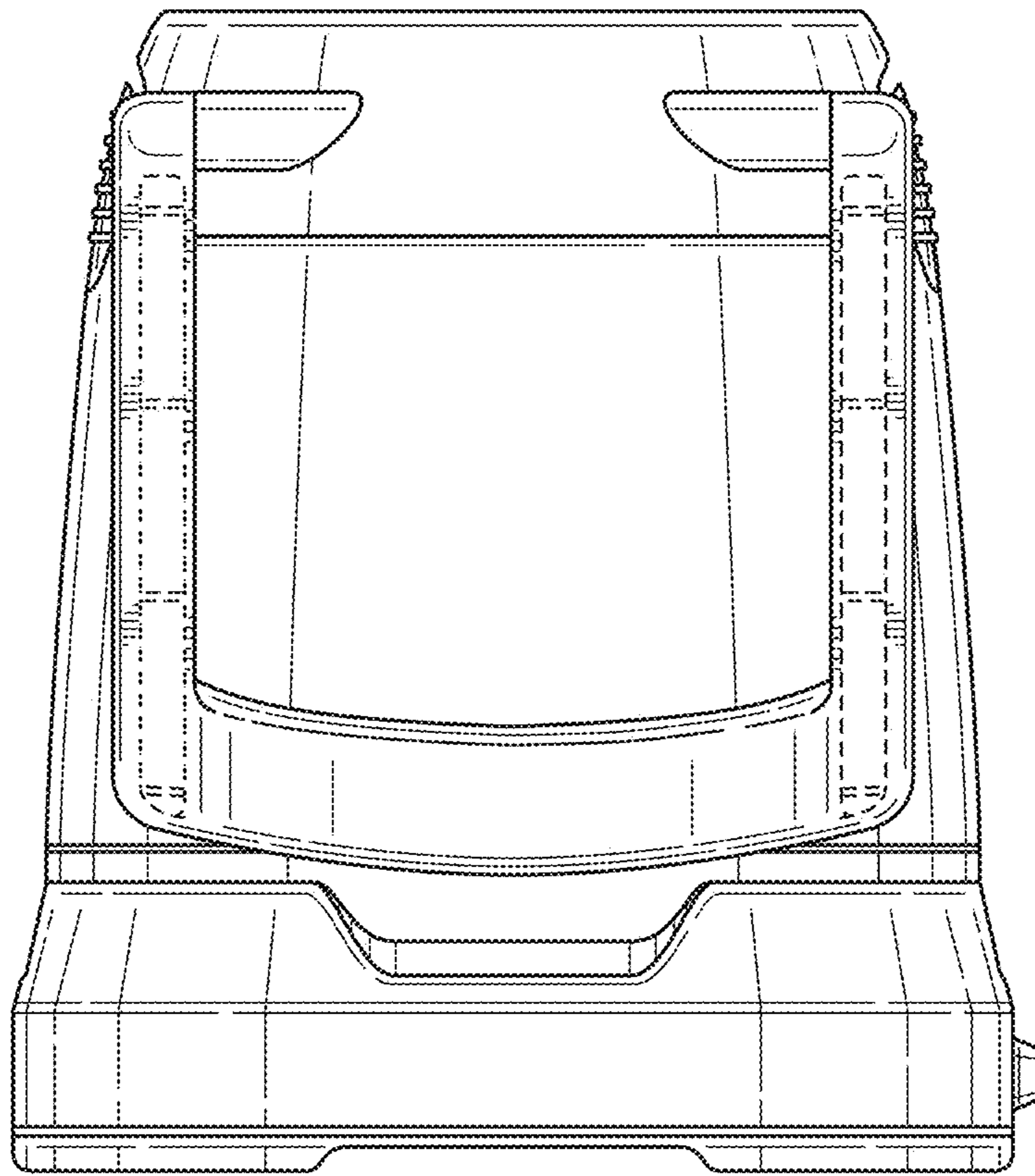


FIG. 11

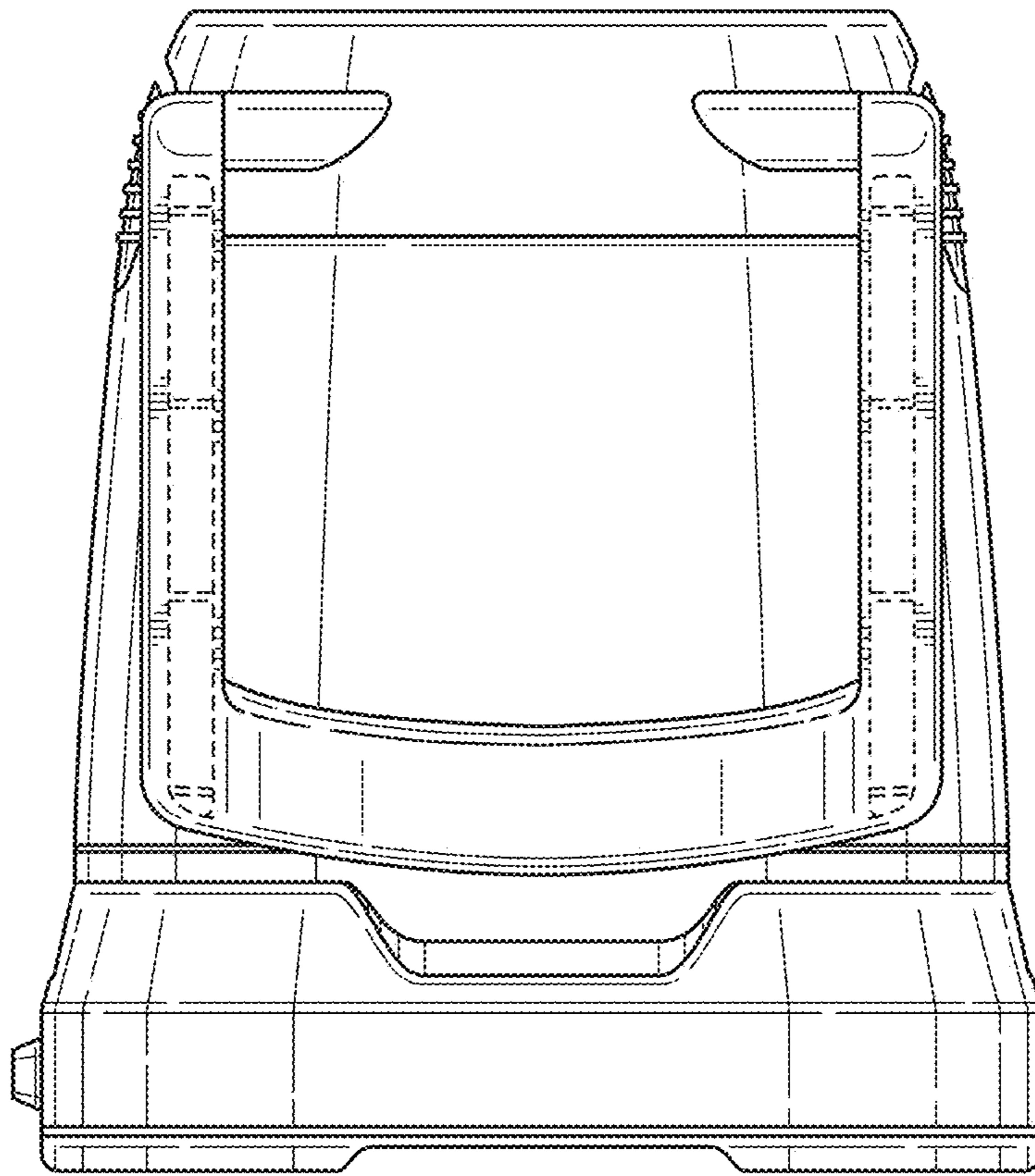


FIG. 12



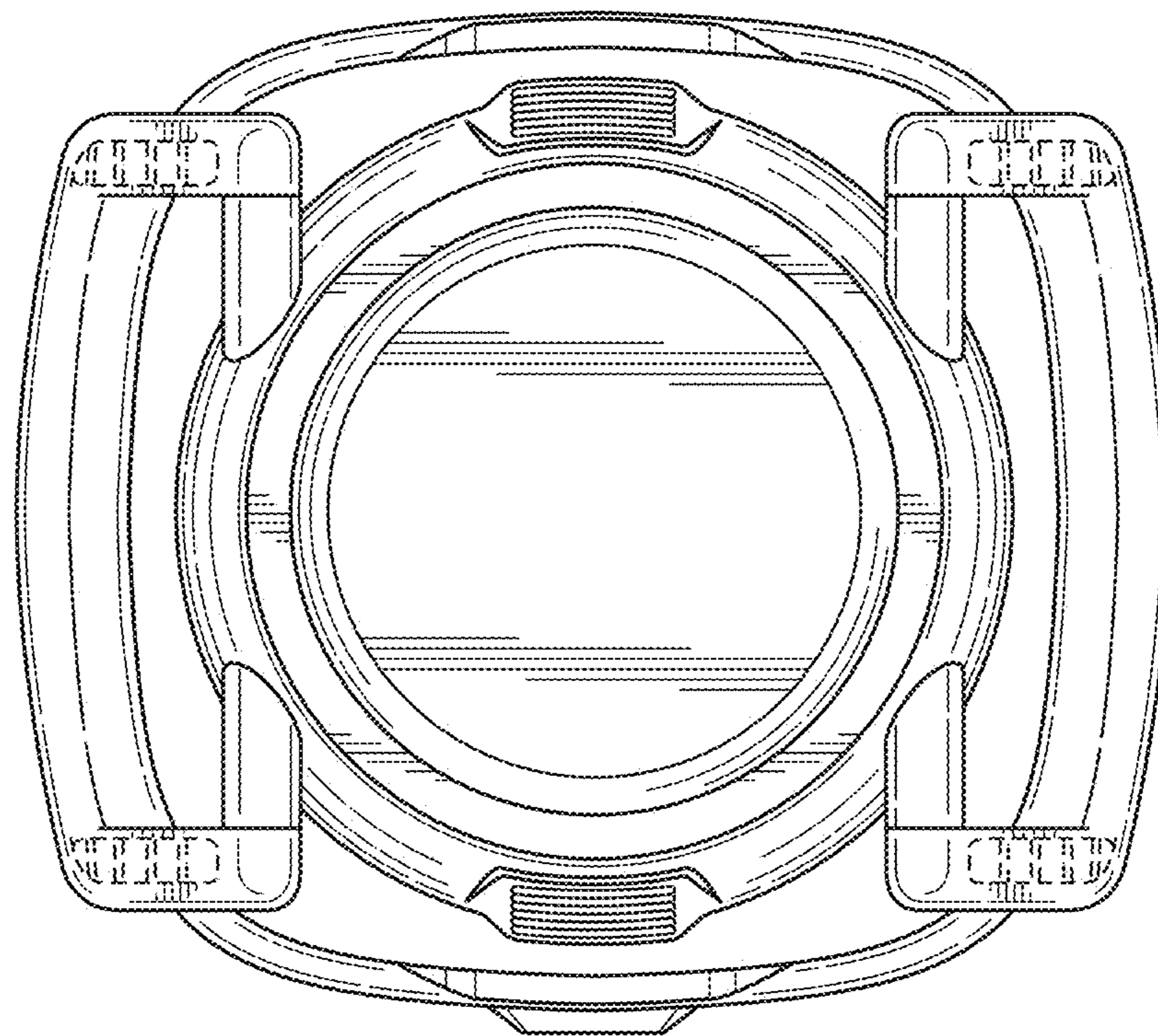


FIG. 13

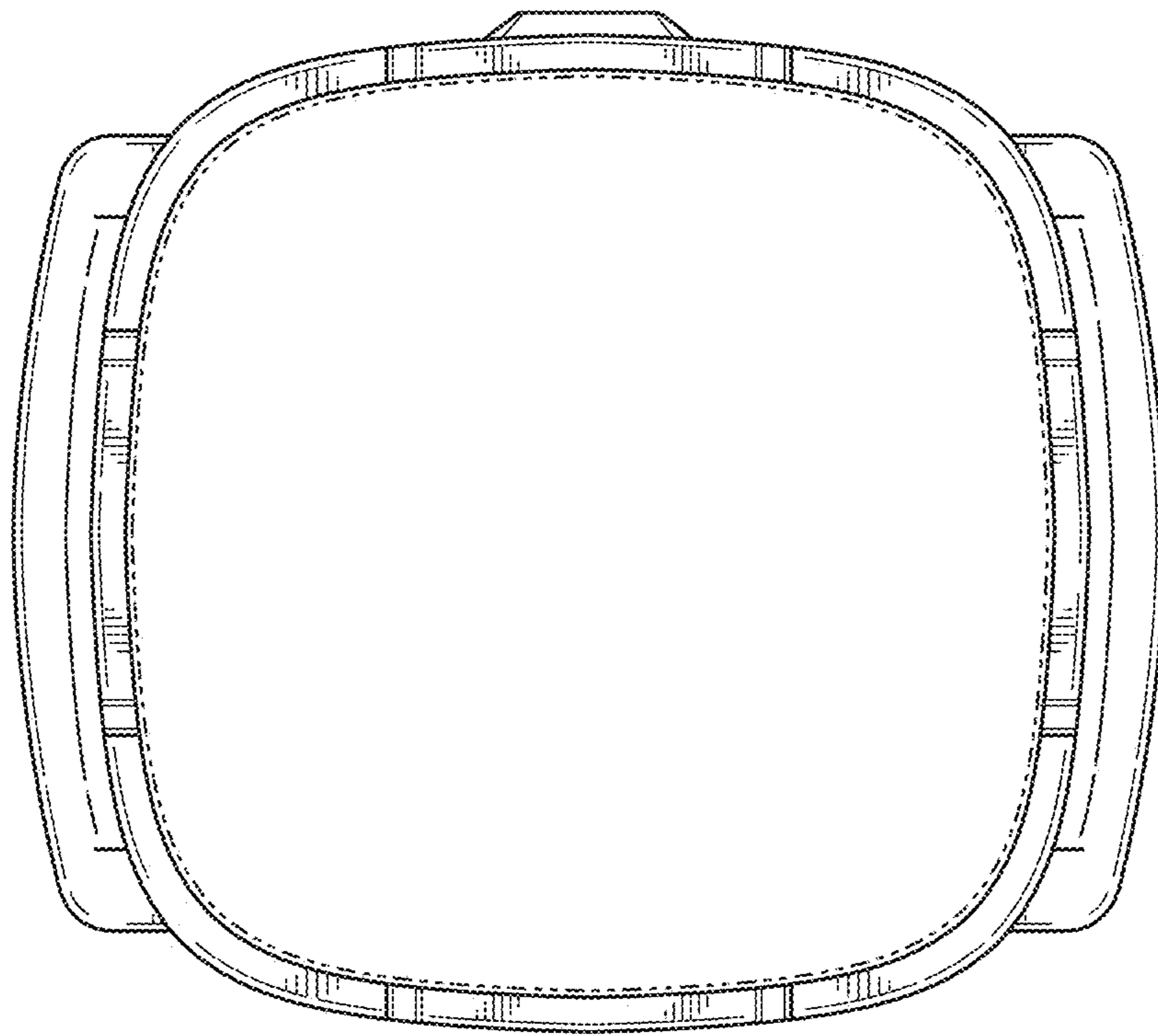


FIG. 14