

US00D948091S

(12) **United States Design Patent** (10) **Patent No.:** **US D948,091 S**
Fleischer (45) **Date of Patent:** **** Apr. 5, 2022**

(54) **PAINTBRUSH LIGHTING APPARATUS**

(71) Applicant: **John Fleischer**, Airdrie (CA)

(72) Inventor: **John Fleischer**, Airdrie (CA)

(**) Term: **15 Years**

(21) Appl. No.: **29/640,694**

(22) Filed: **Mar. 16, 2018**

(51) **LOC (13) Cl.** **26-02**

(52) **U.S. Cl.**
USPC **D26/38**

(58) **Field of Classification Search**
USPC D26/37, 38, 51
CPC F21L 2003/00; F21L 4/005; F21L 4/02;
F21L 4/025; F21L 4/027; F21L 4/04;
F21L 4/08; F21L 2005/00; F21L 7/00;
F21L 11/00; F21L 13/00; F21L 13/04;
F21L 13/08; F21L 14/02; F21L 17/00;
F21L 19/00; F21L 25/00; F21L 2/00;
F21L 4/00-4/085; F21L 15/00-15/14;
F21L 2100/00

See application file for complete search history.

(56) **References Cited**

U.S. PATENT DOCUMENTS

D490,923 S * 6/2004 Costa D26/39
D505,742 S * 5/2005 Munoz D26/60
D524,974 S * 7/2006 Zernov D26/37
D572,907 S * 7/2008 Byrne D4/199
7,401,936 B1 * 7/2008 Fan A45B 3/04
362/102
D616,127 S * 5/2010 Taiga D26/60

D642,310 S * 7/2011 Idelson D26/39
D670,843 S * 11/2012 von Waldthausen D26/37
D678,573 S * 3/2013 Lane D26/60
D680,673 S * 4/2013 Levine D26/60
D772,458 S * 11/2016 Lin D26/60
D785,951 S * 5/2017 Rosenzweig D4/199
2012/0227197 A1 * 9/2012 Fleischer A46B 7/04
15/105
2012/0294470 A1 * 11/2012 Saltalamacchia A46B 5/02
381/334
2012/0324663 A1 * 12/2012 Fleischer A46B 7/042
15/106
2013/0301251 A1 * 11/2013 Blanchette F21L 4/02
362/184

* cited by examiner

Primary Examiner — Michelle E. Wilson
Assistant Examiner — Richard E Yenchsky
(74) *Attorney, Agent, or Firm* — Tai W. Nahm; Nahm IP Law

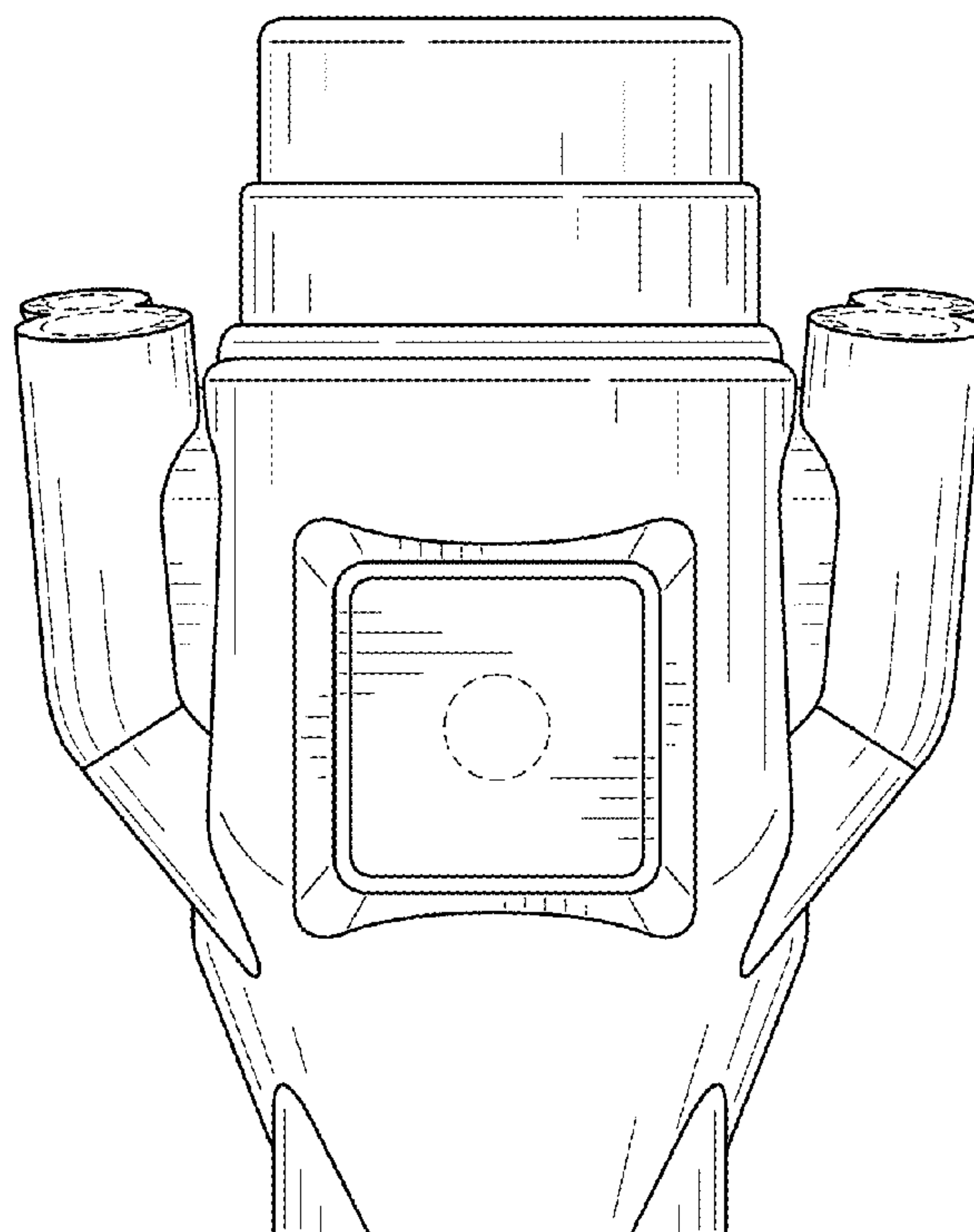
(57) **CLAIM**

The ornamental design for a paintbrush lighting apparatus, as shown and described.

DESCRIPTION

FIG. 1 is a front view of the paintbrush lighting apparatus. FIG. 2 is a rearview thereof. FIG. 3 is a top view thereof. FIG. 4 is a bottom view thereof. FIG. 5 is a left view thereof; and, FIG. 6 is a right view thereof. The broken lines show portions of the article which form no part of the claimed design.

1 Claim, 3 Drawing Sheets



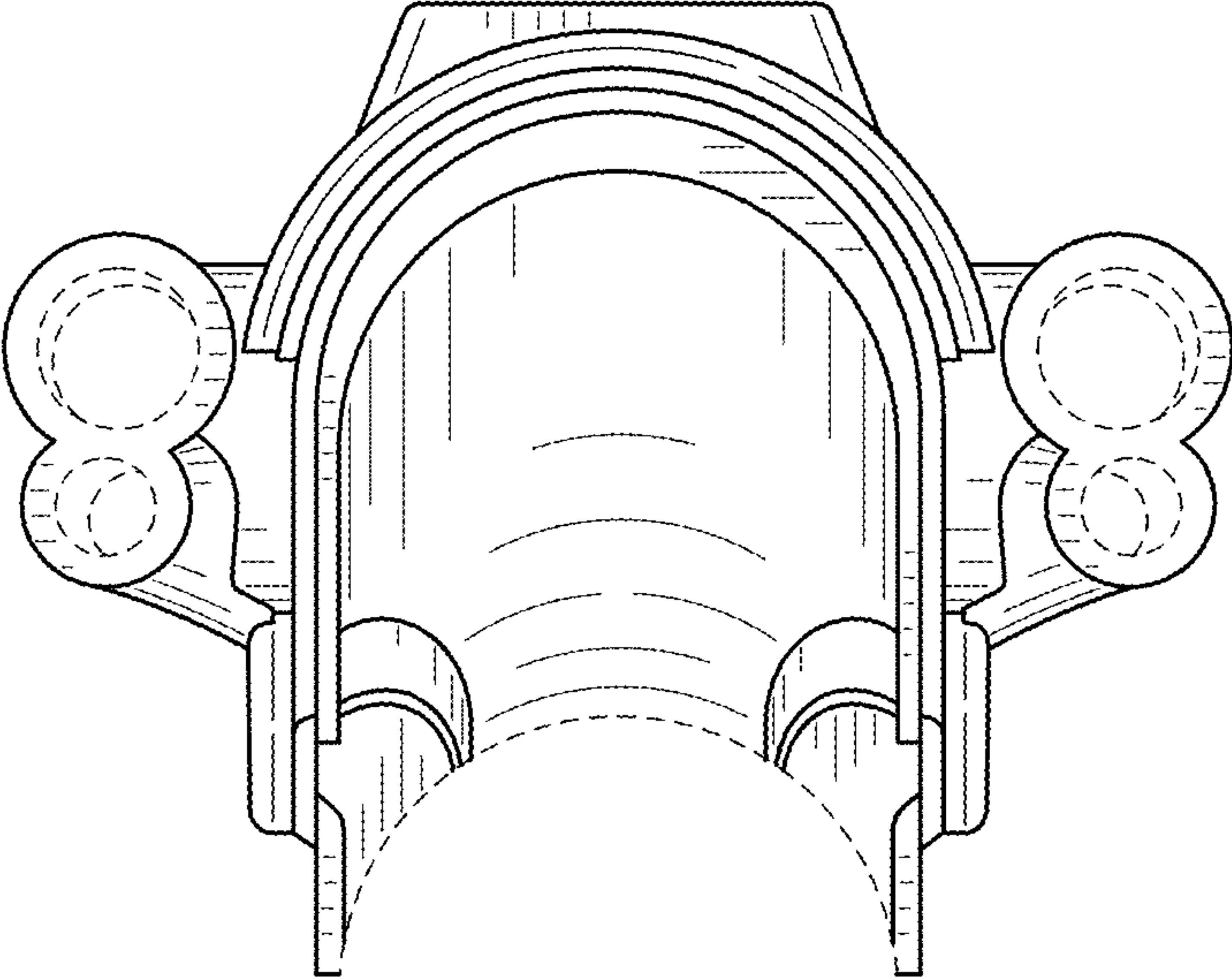


FIG. 1

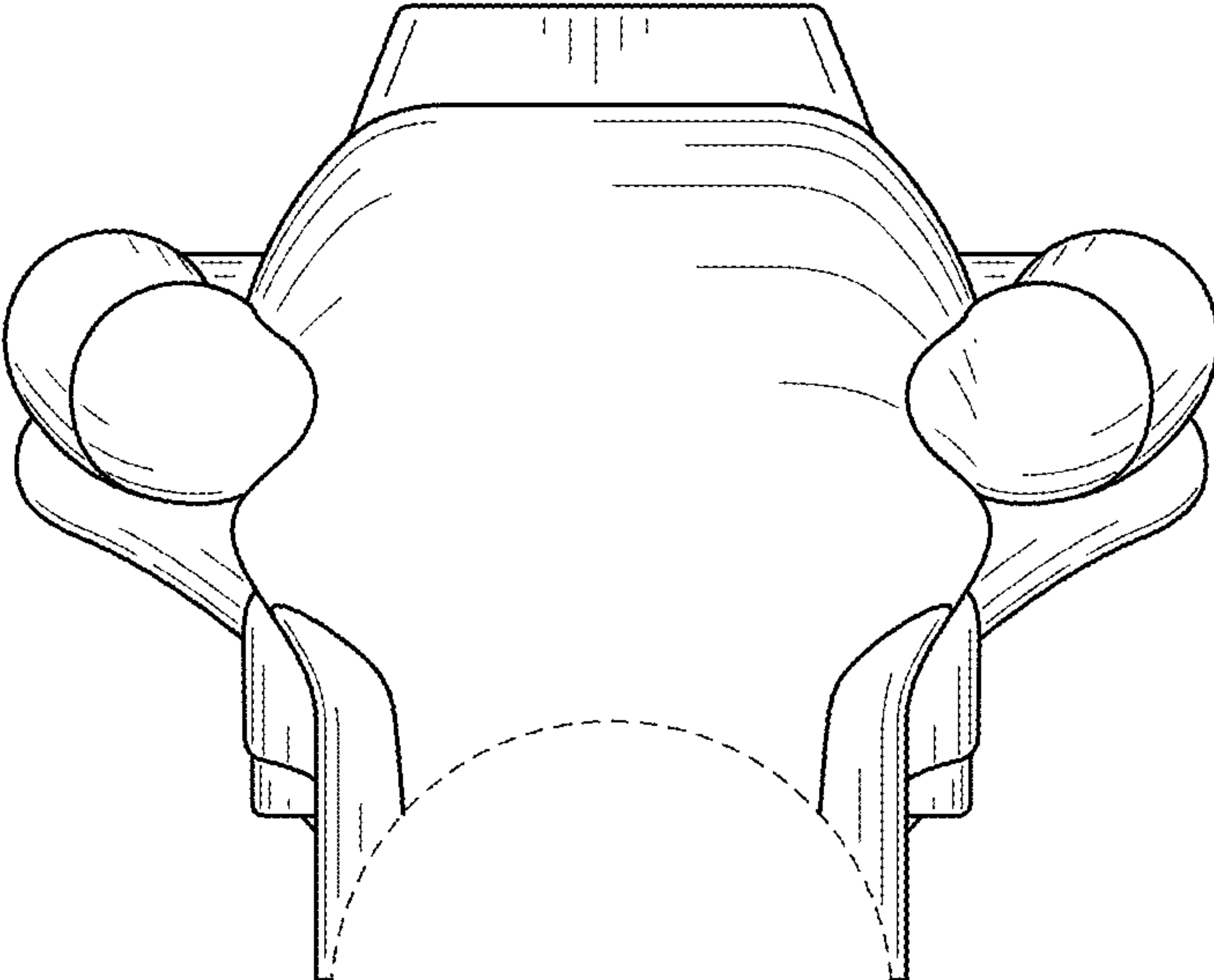


FIG. 2

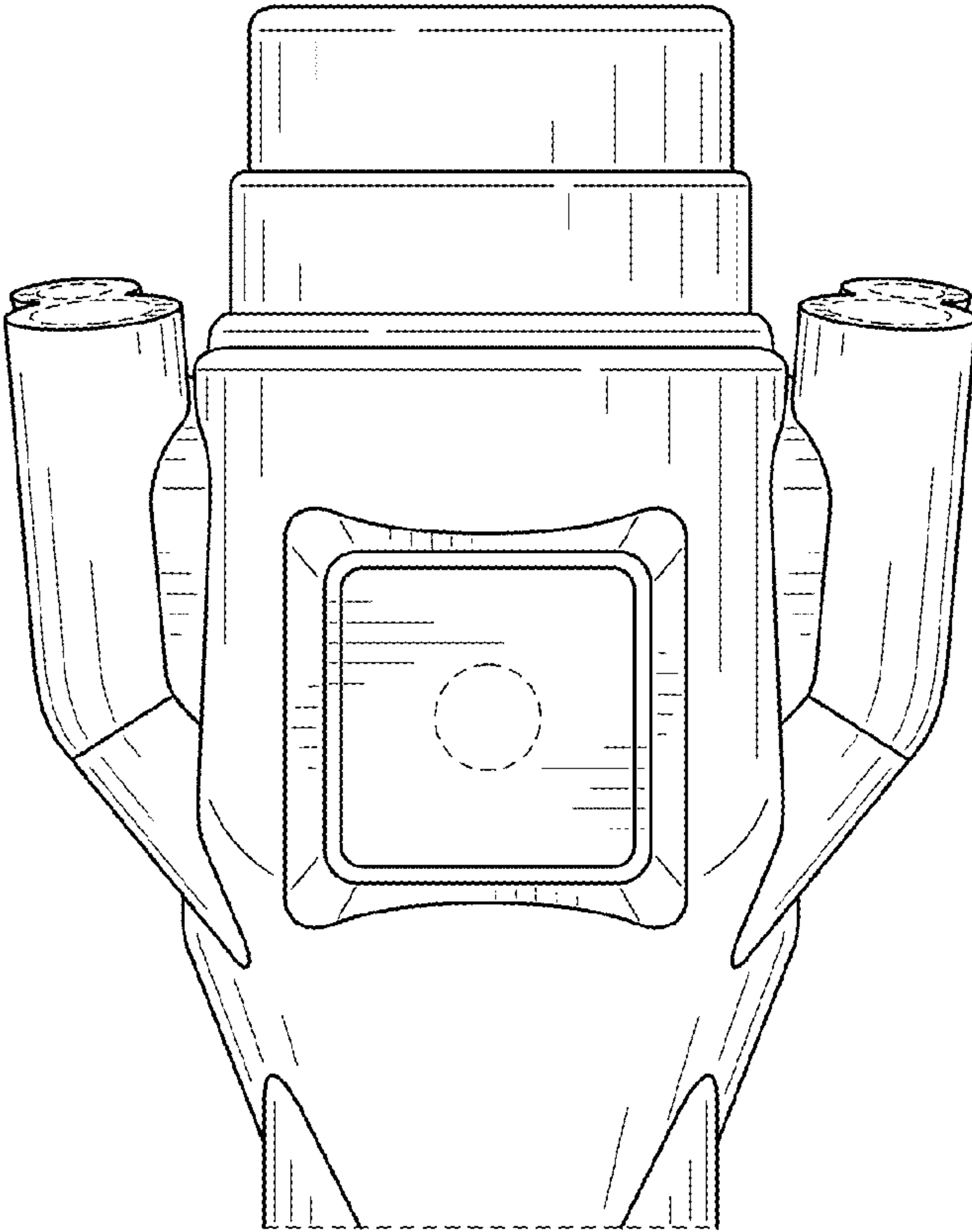


FIG. 3

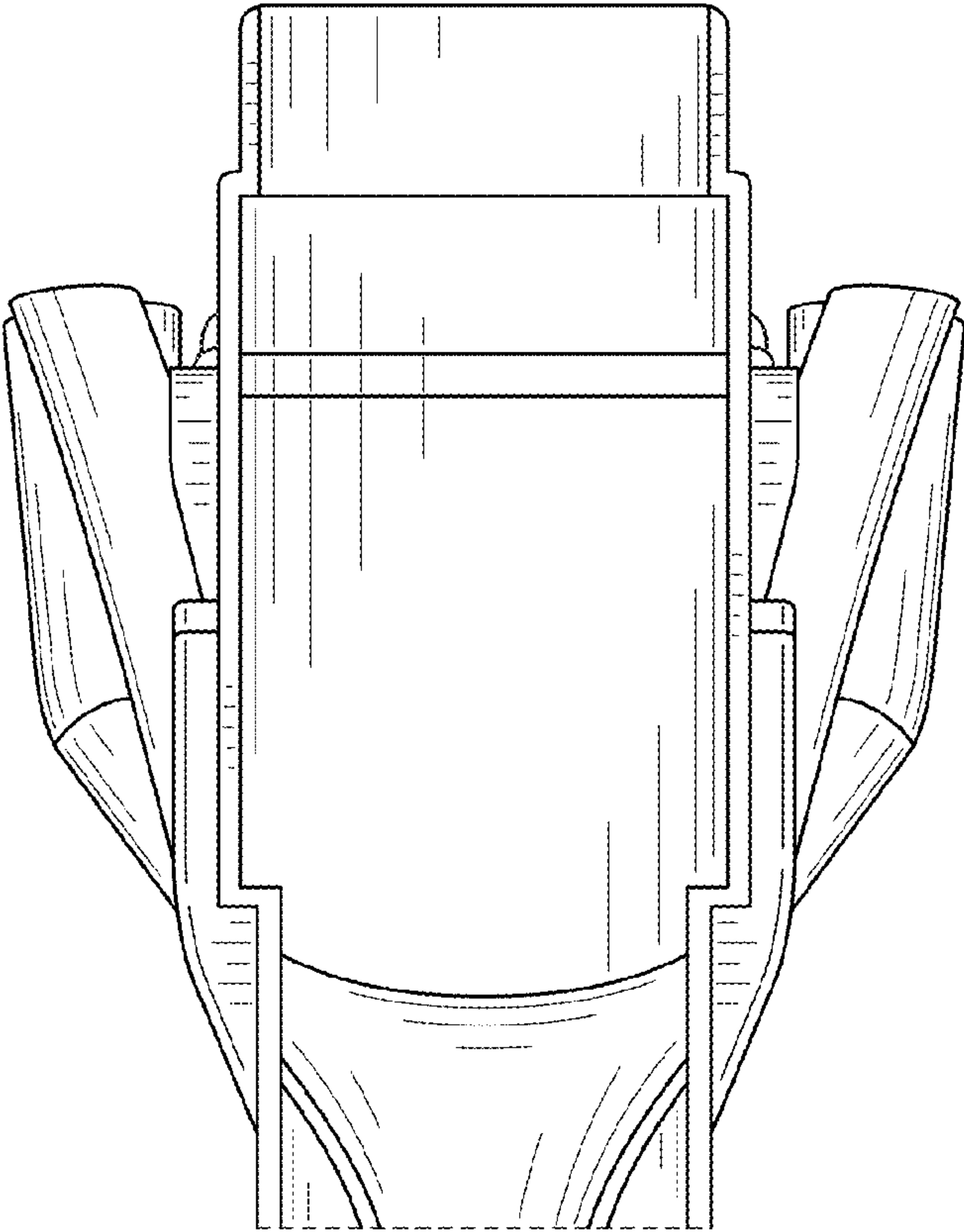


FIG. 4

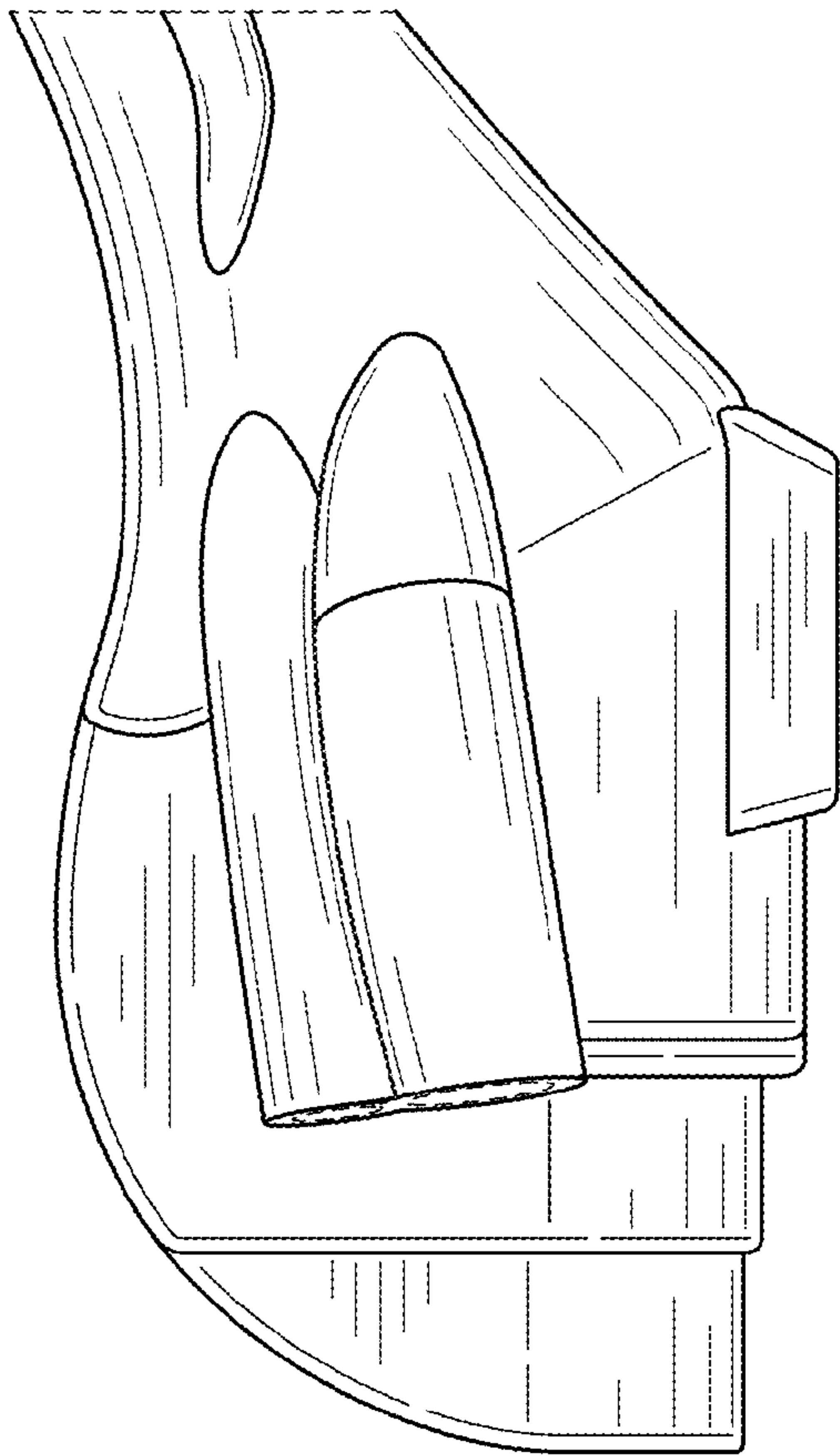


FIG. 5

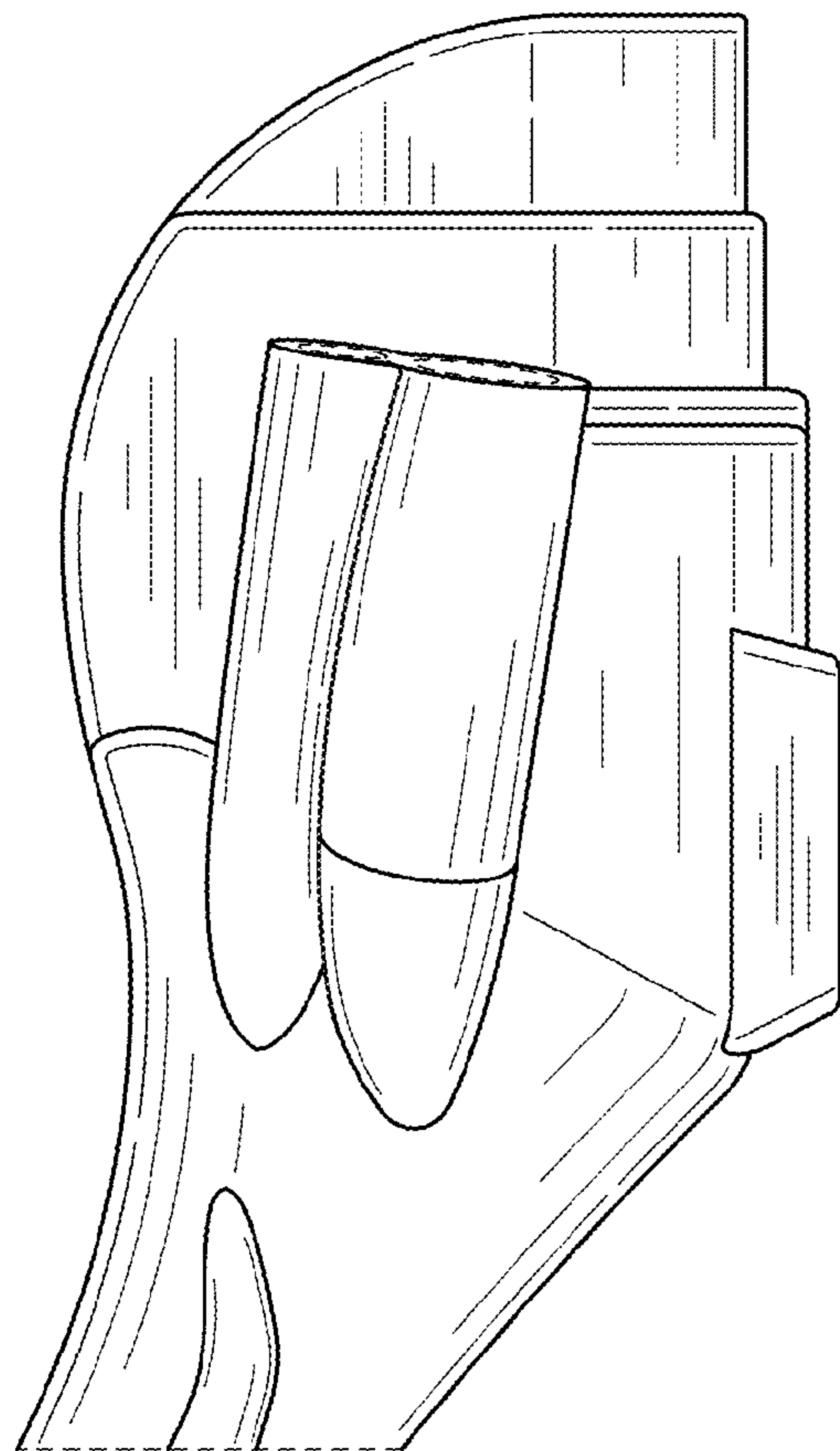


FIG. 6