



US00D948085S

(12) **United States Design Patent** (10) **Patent No.:** **US D948,085 S**
Lu et al. (45) **Date of Patent:** **** Apr. 5, 2022**

(54) **LIGHT BULB**

15/00; H01J 5/48; H01J 5/50; H01J 19/54; F21K 9/00; F21K 13/00

(71) Applicant: **Amazon Technologies, Inc.**, Seattle, WA (US)

See application file for complete search history.

(72) Inventors: **Wen-Yo Lu**, Pasadena, CA (US); **Christopher Loew**, Palo Alto, CA (US); **Mark D Siminoff**, Mountain View, CA (US); **James Siminoff**, Pacific Palisades, CA (US); **Jiawei Li**, Avon, OH (US)

(56) **References Cited**

U.S. PATENT DOCUMENTS

D532,532 S *	11/2006	Maxik	D26/2
D544,110 S *	6/2007	Hooker	D26/2
D566,300 S *	4/2008	Lo	D26/2
D581,555 S *	11/2008	To	D26/2
D584,838 S *	1/2009	To	D26/2

(73) Assignee: **Amazon Technologies, Inc.**, Seattle, WA (US)

* cited by examiner

(**) Term: **15 Years**

Primary Examiner — Marcus A Jackson

(74) *Attorney, Agent, or Firm* — Lee & Hayes, P.C.

(21) Appl. No.: **29/808,692**

(57) **CLAIM**

The ornamental design for a light bulb, as shown and described.

(22) Filed: **Sep. 22, 2021**

DESCRIPTION

Related U.S. Application Data

(62) Division of application No. 29/709,666, filed on Oct. 16, 2019, now Pat. No. Des. 932,063.

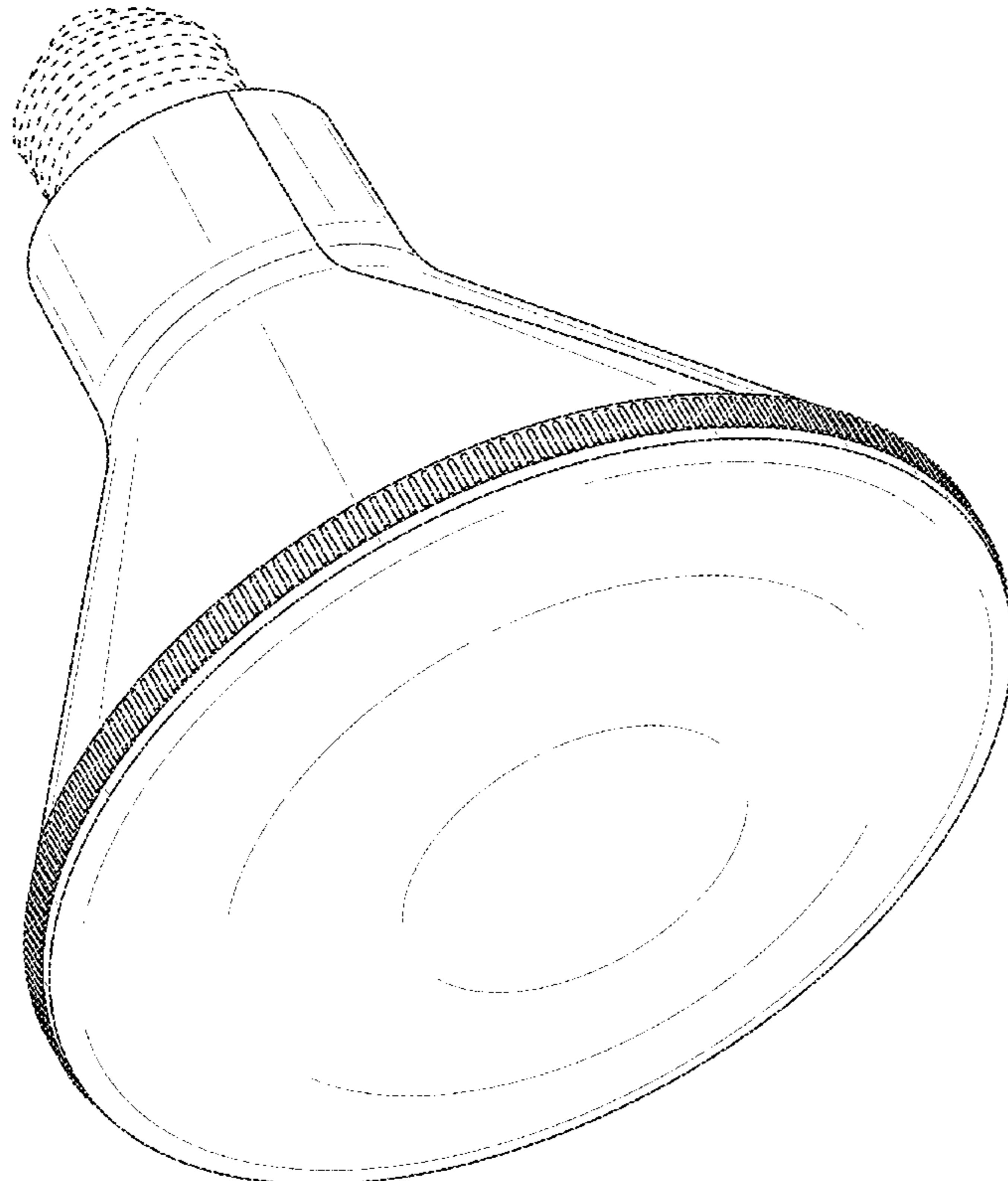
(51) **LOC (13) Cl.** **26-04**

(52) **U.S. Cl.**
USPC **D26/2**

(58) **Field of Classification Search**
USPC D26/1-4
CPC H01R 5/00; H01R 13/46; H01R 13/514; H01R 31/02; H01R 31/048; F21V 5/00; H01J 5/00; H01J 5/16; H01J 1/02; H01J

FIG. 1 is a front, top perspective view of a light bulb; FIG. 2 is a top plan view thereof; FIG. 3 is a bottom plan view thereof; FIG. 4 is a left-side elevation view thereof; FIG. 5 is a right-side elevation view thereof; FIG. 6 is a back elevation view thereof; FIG. 7 is a front elevation view thereof; and, FIG. 8 is an enlarged view of an area marked 8 in FIG. 2. The dashed broken lines depict portions of the light bulb that form no part of the claimed design.

1 Claim, 8 Drawing Sheets



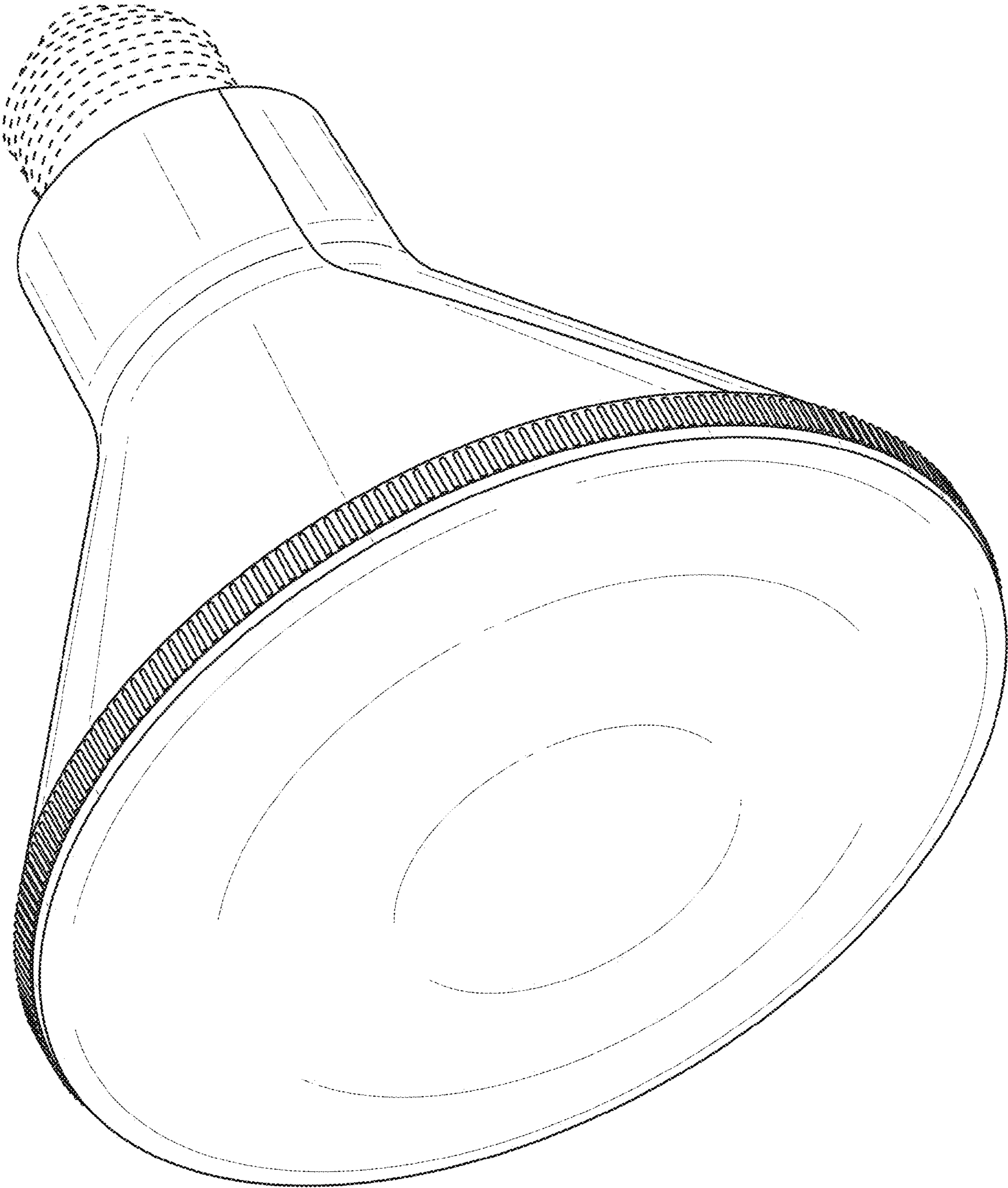


FIG. 1

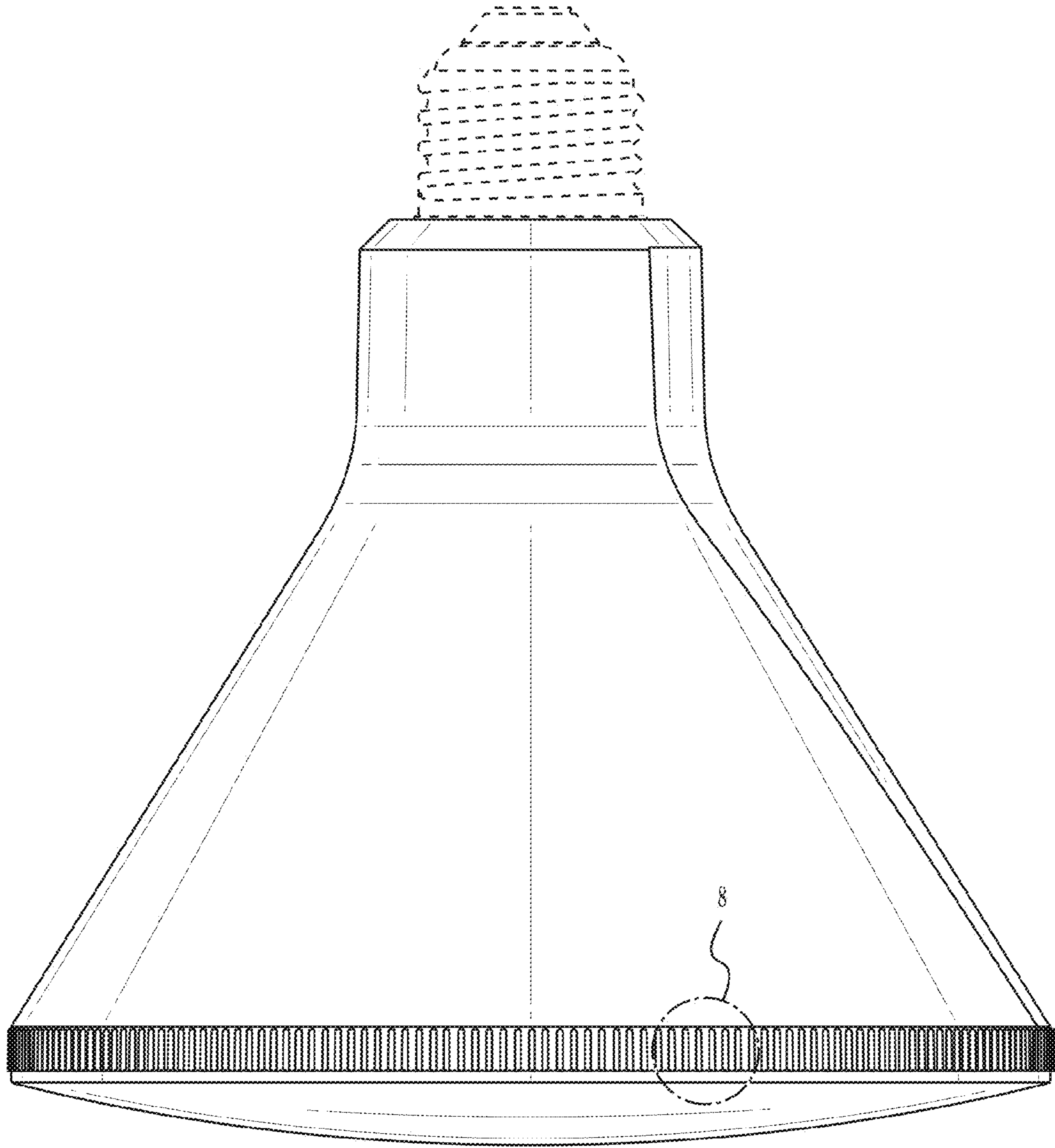


FIG. 2

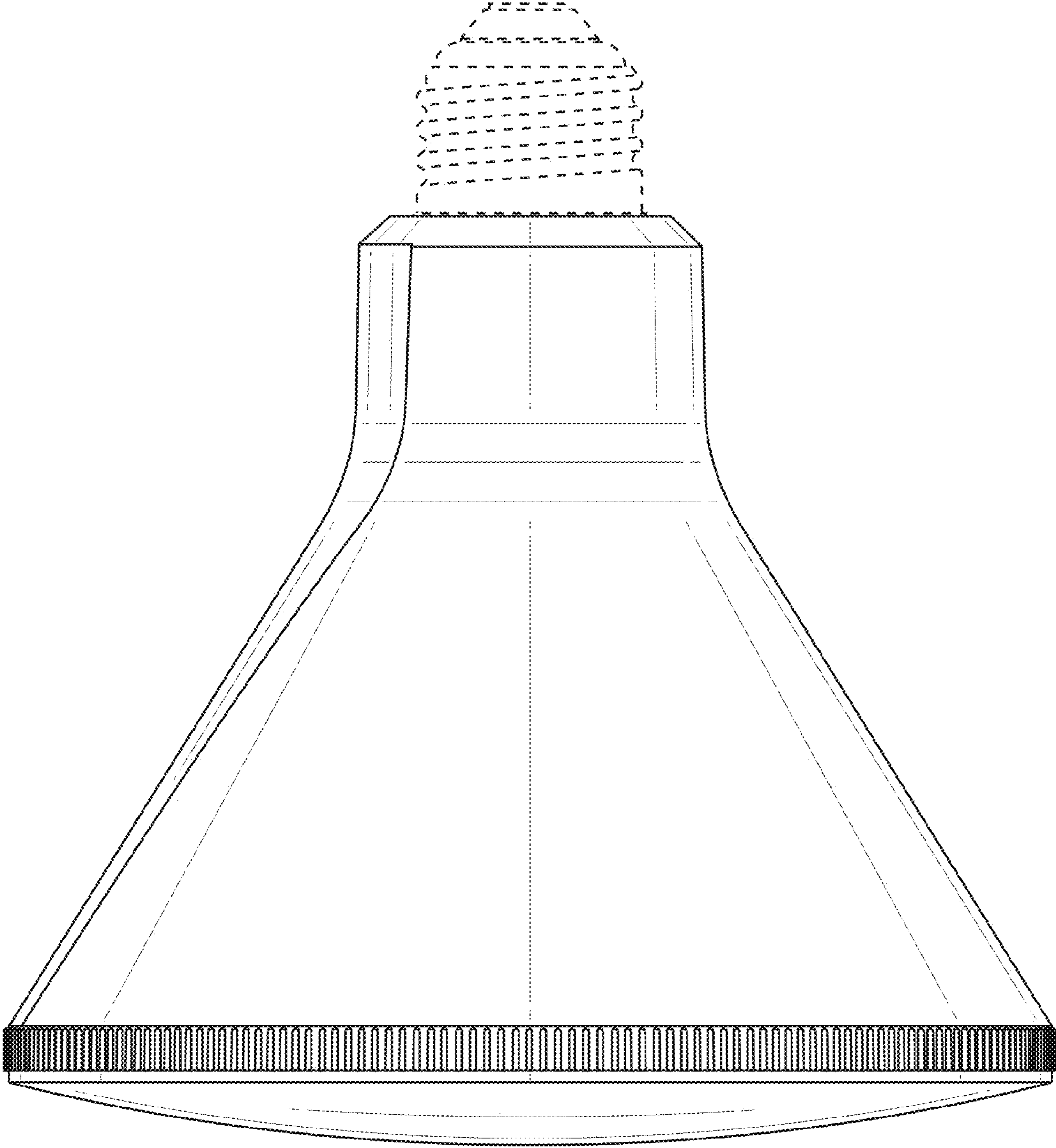


FIG. 3

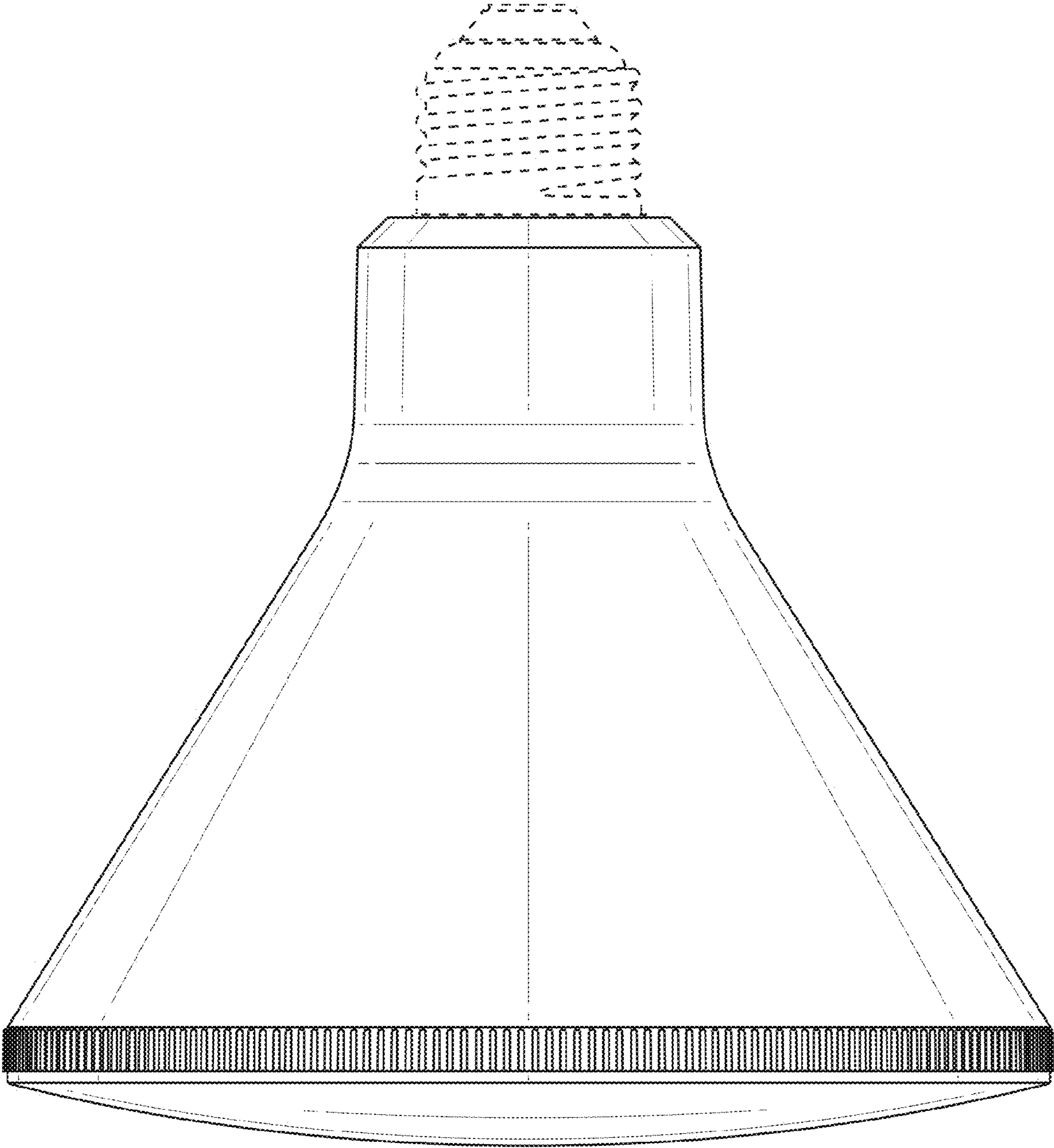


FIG. 4

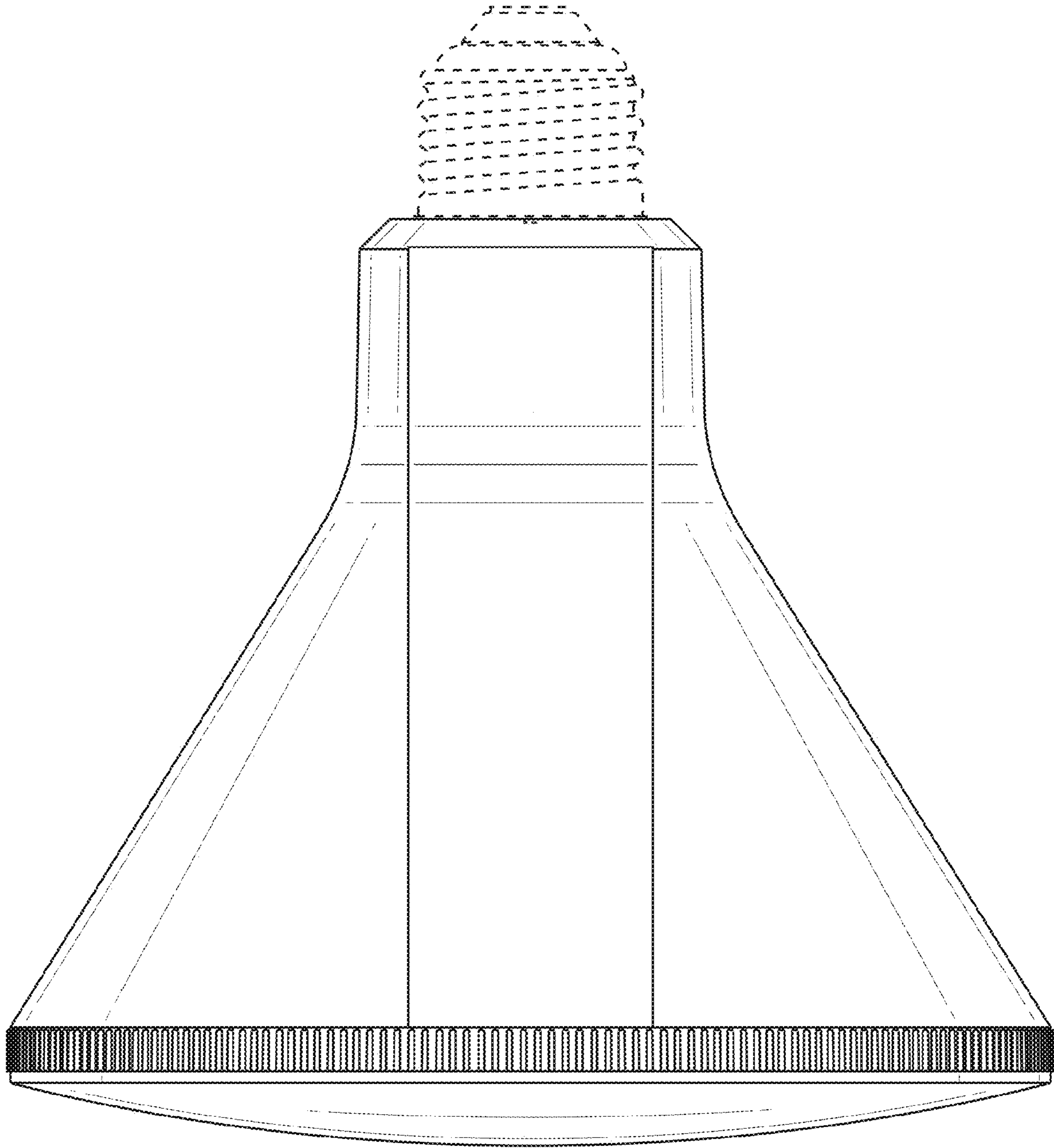


FIG. 5

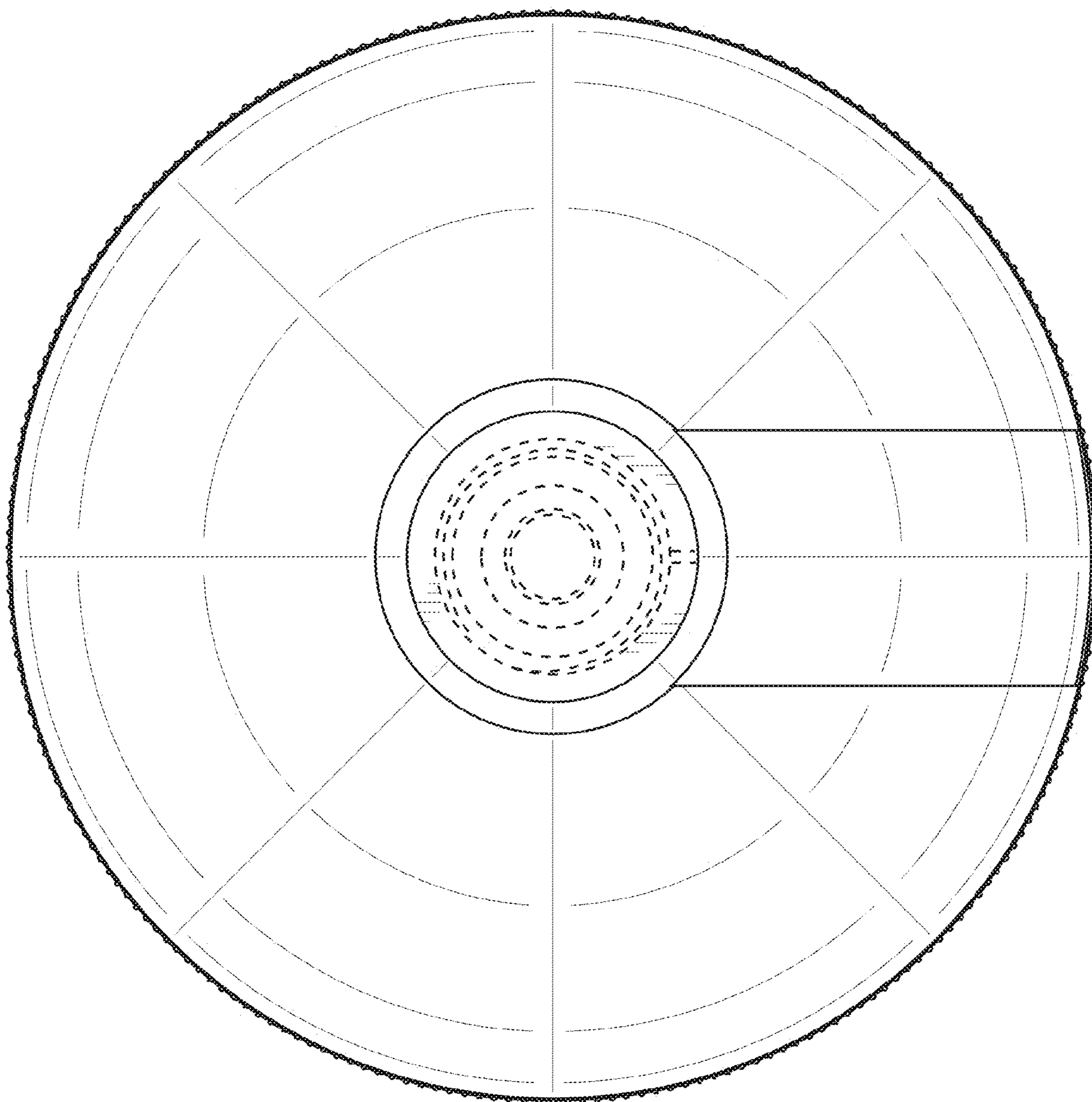


FIG. 6

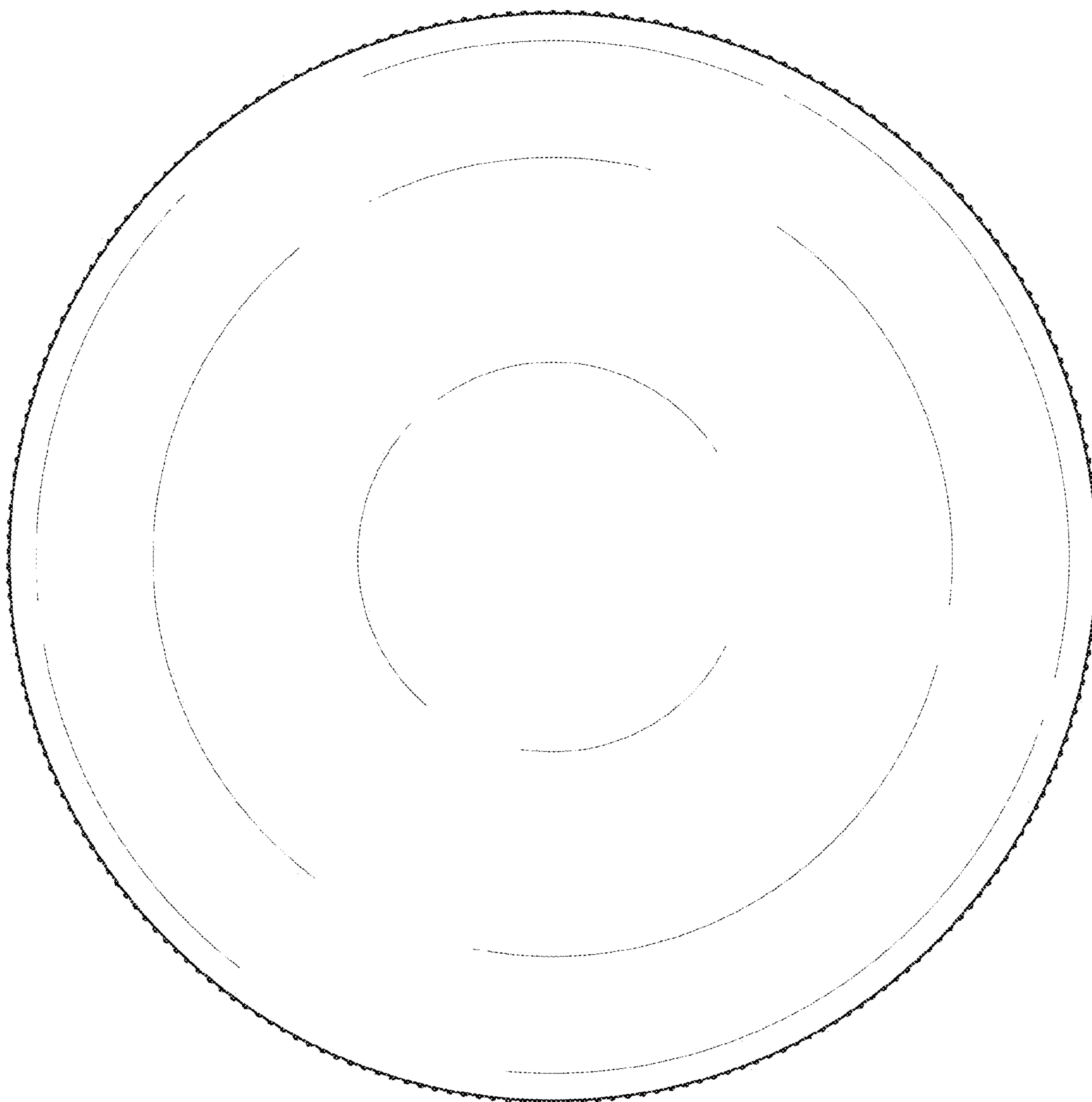


FIG. 7

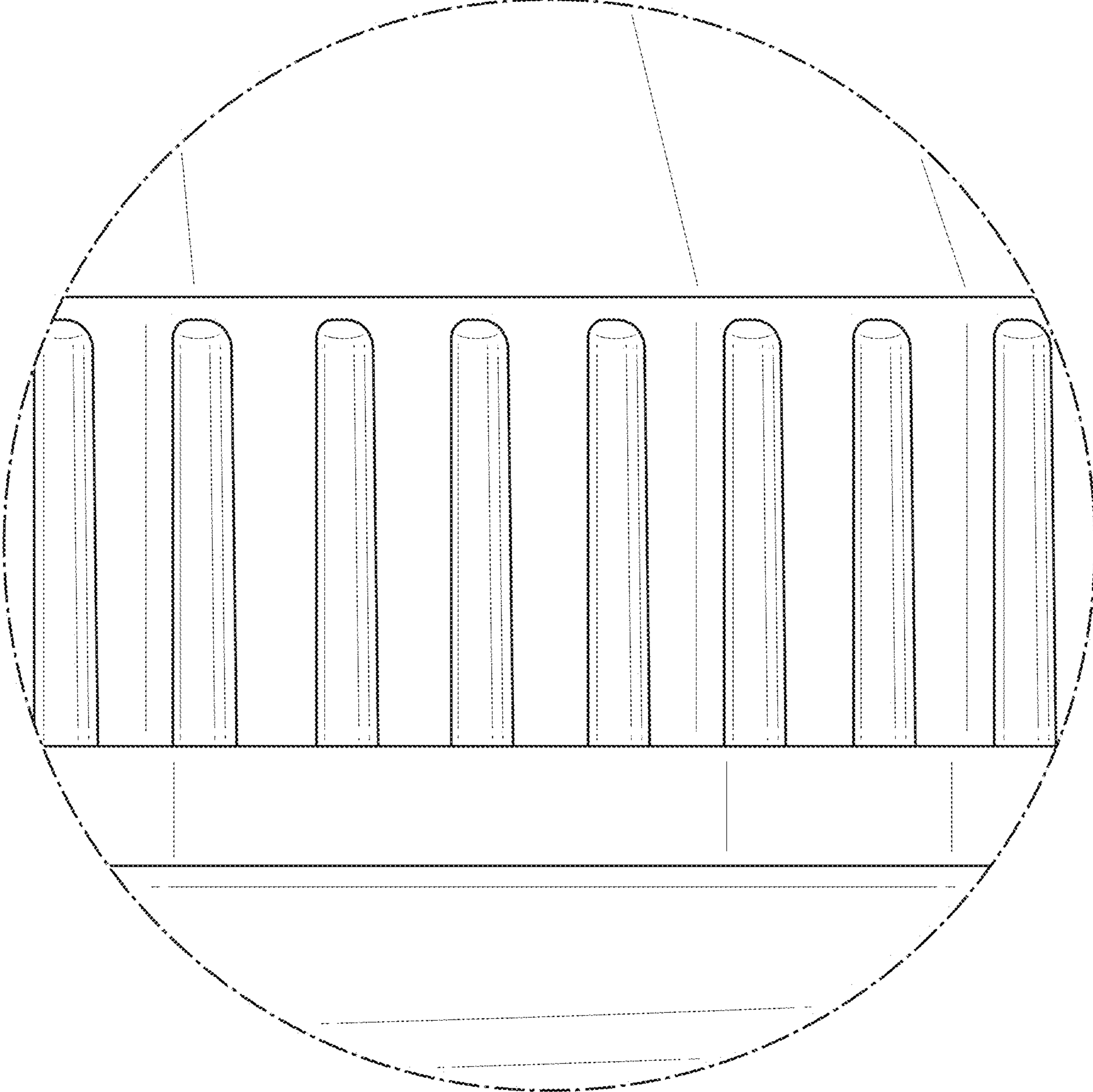


FIG. 8