



US00D948081S

(12) **United States Design Patent**
Goldberg

(10) **Patent No.:** **US D948,081 S**

(45) **Date of Patent:** **** Apr. 5, 2022**

(54) **POLE BASE**
(71) Applicant: **Neso LLC**, Encinitas, CA (US)
(72) Inventor: **Matthew Lee Goldberg**, Encinitas, CA (US)
(73) Assignee: **Neso LLC**, Encinitas, CA (US)
(**) Term: **15 Years**

D513,536 S * 1/2006 Walker D25/133
D547,463 S * 7/2007 Gross D25/133
D599,915 S * 9/2009 Godwin E04C 3/32
D25/133
D621,965 S * 8/2010 Ringus D25/133
D673,306 S * 12/2012 Chung D25/133
9,004,439 B2 * 4/2015 Gross E04H 12/2261
248/507
D742,210 S * 11/2015 Carrubba D8/382
9,554,649 B2 * 1/2017 Saich F24F 13/32
D884,928 S * 5/2020 Gordon D25/133
D927,948 S * 8/2021 Wilson D8/29

(21) Appl. No.: **29/727,193**

* cited by examiner

(22) Filed: **Mar. 9, 2020**

Primary Examiner — Samantha Q Lawrence

(51) **LOC (13) Cl.** **25-01**

(74) *Attorney, Agent, or Firm* — Michael D. Eisenberg

(52) **U.S. Cl.**
USPC **D25/133**

(58) **Field of Classification Search**
USPC D25/125, 126, 127, 128, 129, 130, 131,
D25/132, 133, 134, 135, 136, 119
CPC E04H 17/16; E04H 17/20; E04H 17/00;
E04H 17/05; E04H 17/124; E04H
17/1404; E04H 17/1447; G09F 15/0006;
D10B 2403/0333; E01F 13/022; E01F
15/0469; E01F 15/141; F16M 13/02;
G06T 11/60; A47B 95/043; B65G 1/02;
B65G 2207/40

See application file for complete search history.

(56) **References Cited**

U.S. PATENT DOCUMENTS

D273,712 S * 5/1984 Ahlqvist D25/133
D348,738 S * 7/1994 Jasinsky D25/133

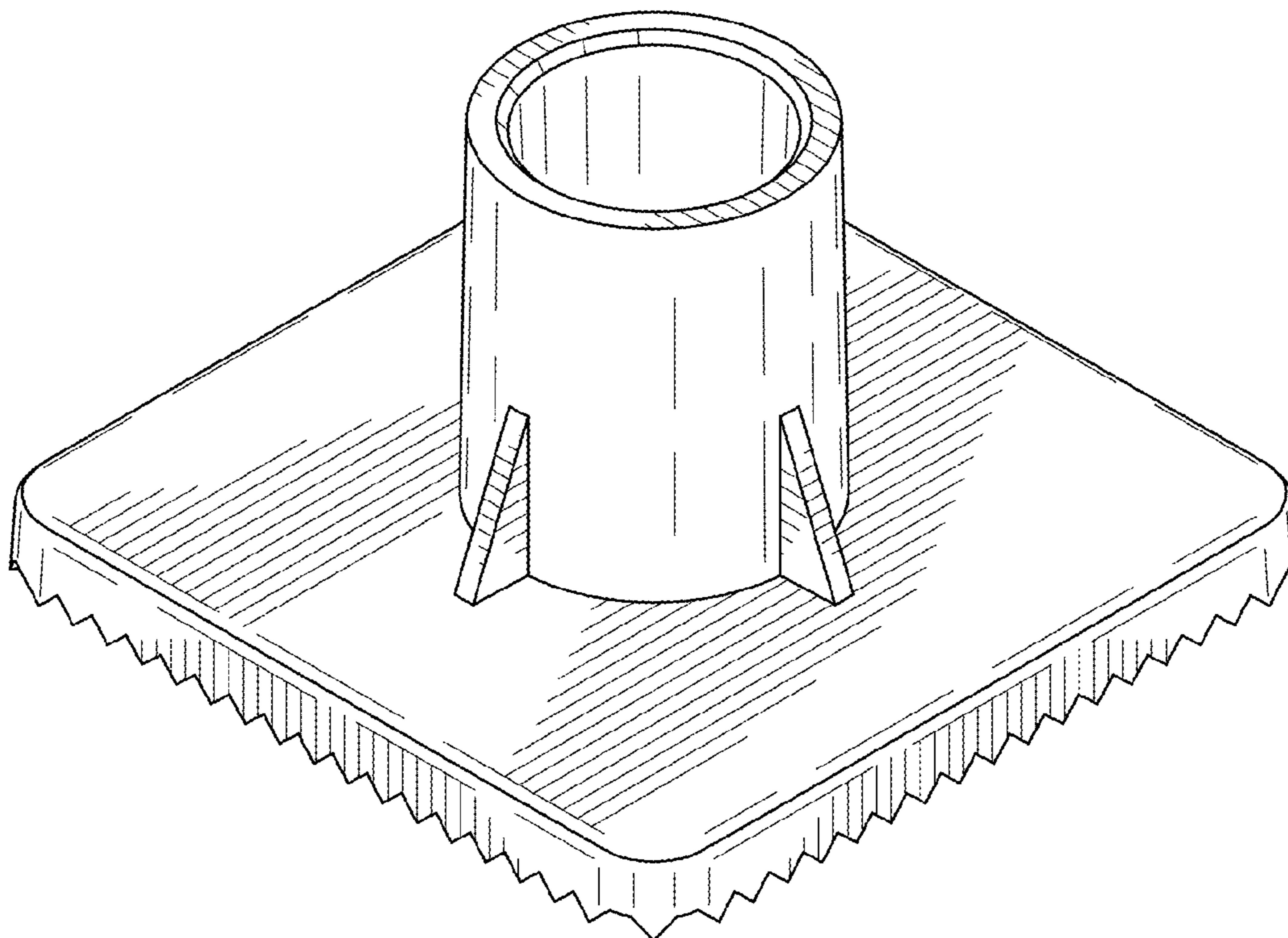
(57) **CLAIM**

The ornamental design for a pole base, as shown and described.

DESCRIPTION

FIG. 1 is a top perspective view of a pole base showing my new design;
FIG. 2 is a right side view of the pole base, with the left, front, and back being a mirror image thereof;
FIG. 3 is a top view of the pole base;
FIG. 4 is a bottom view of the pole base; and,
FIG. 5 is a bottom perspective view of the pole base.
Each of the views of the right, left, front and back sides of the pole base are the same.

1 Claim, 3 Drawing Sheets



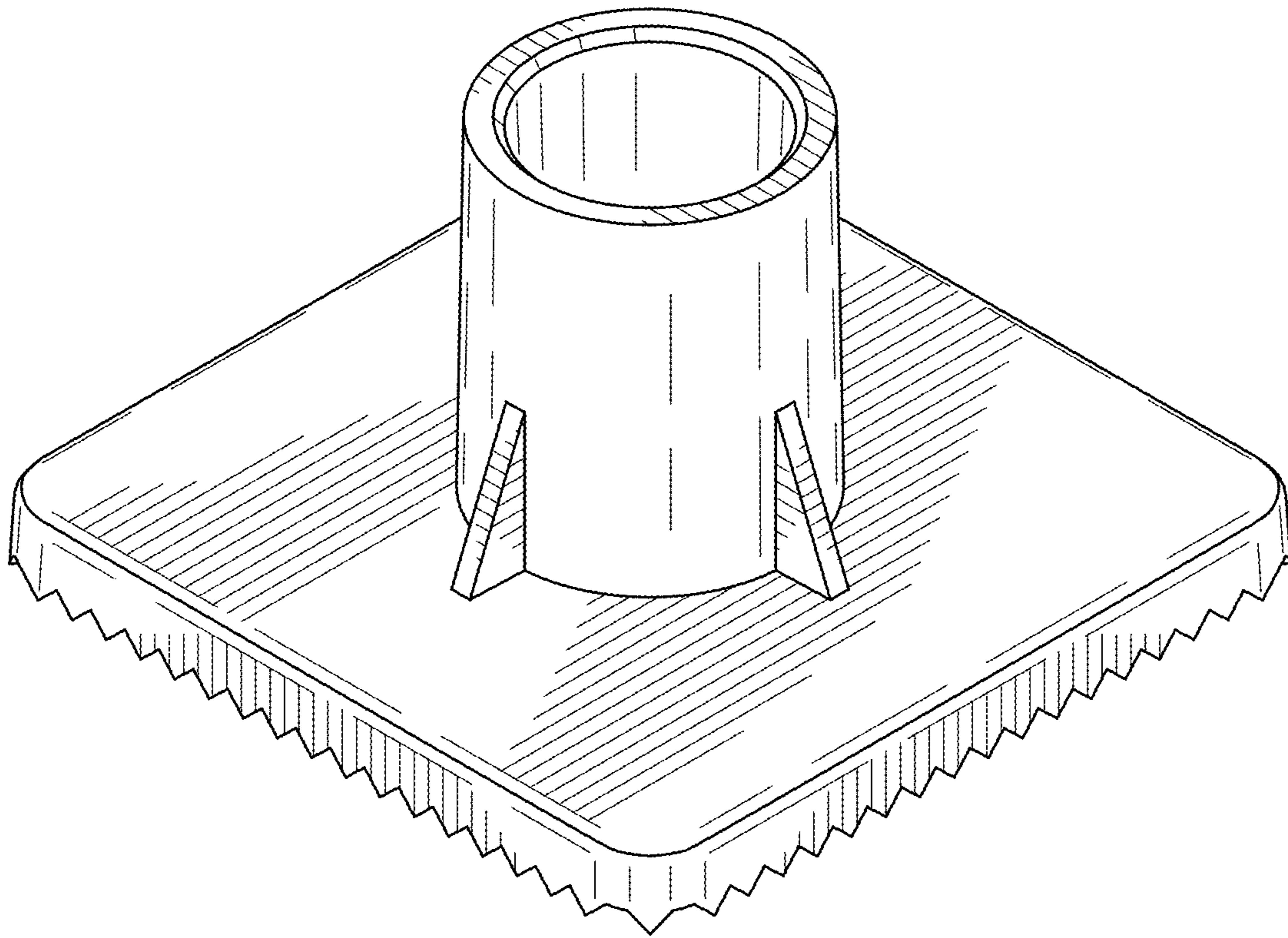


FIG. 1

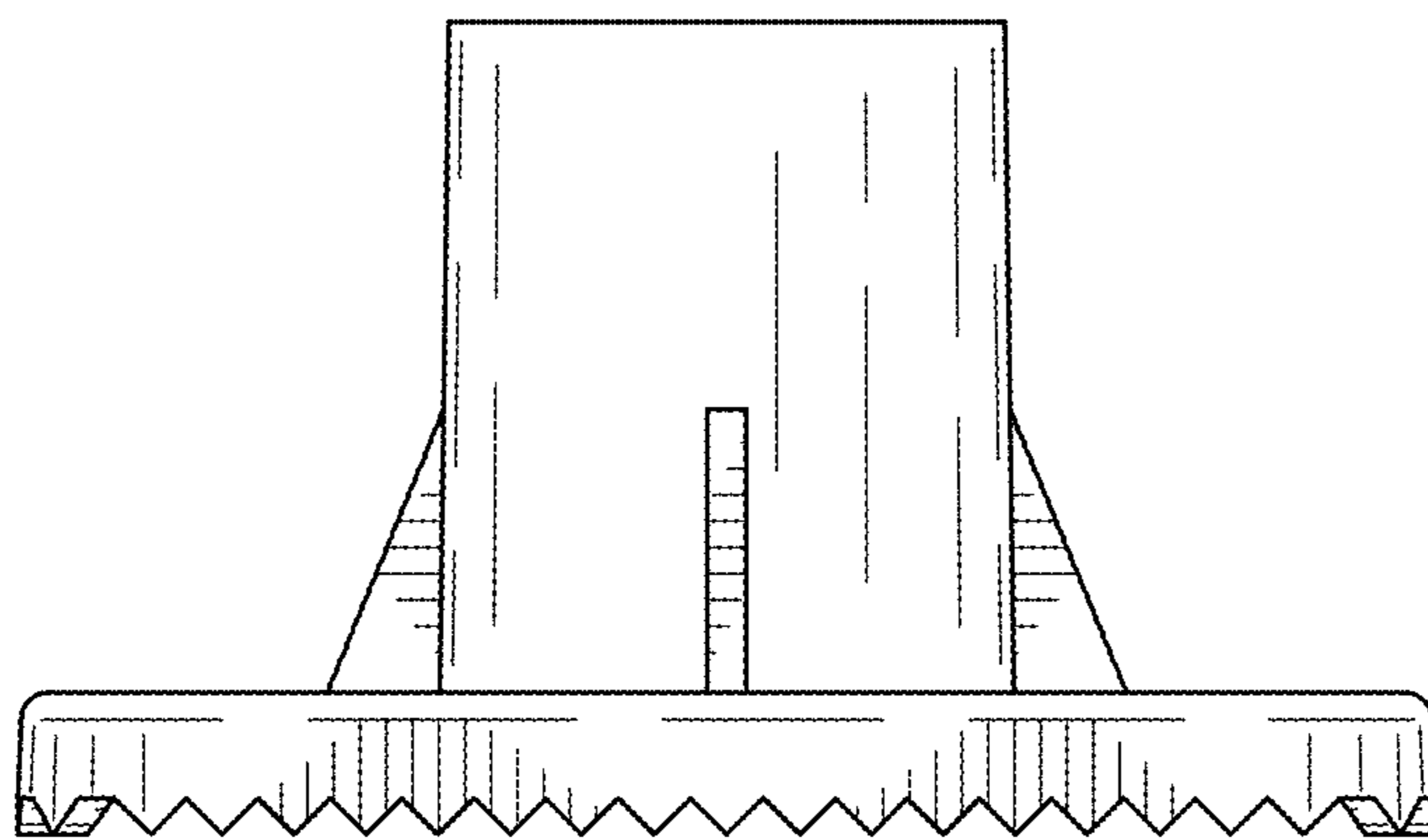


FIG. 2

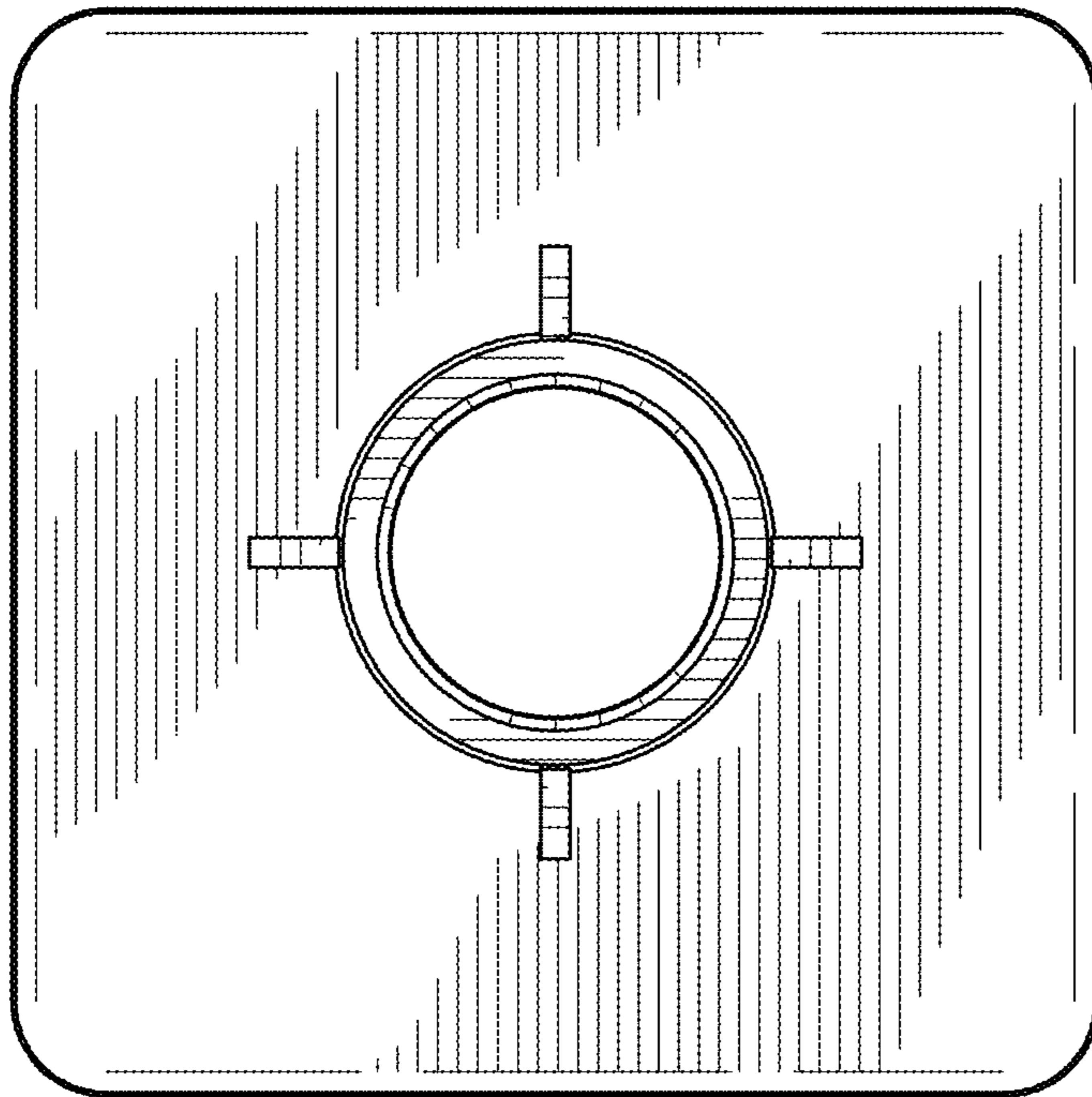


FIG. 3

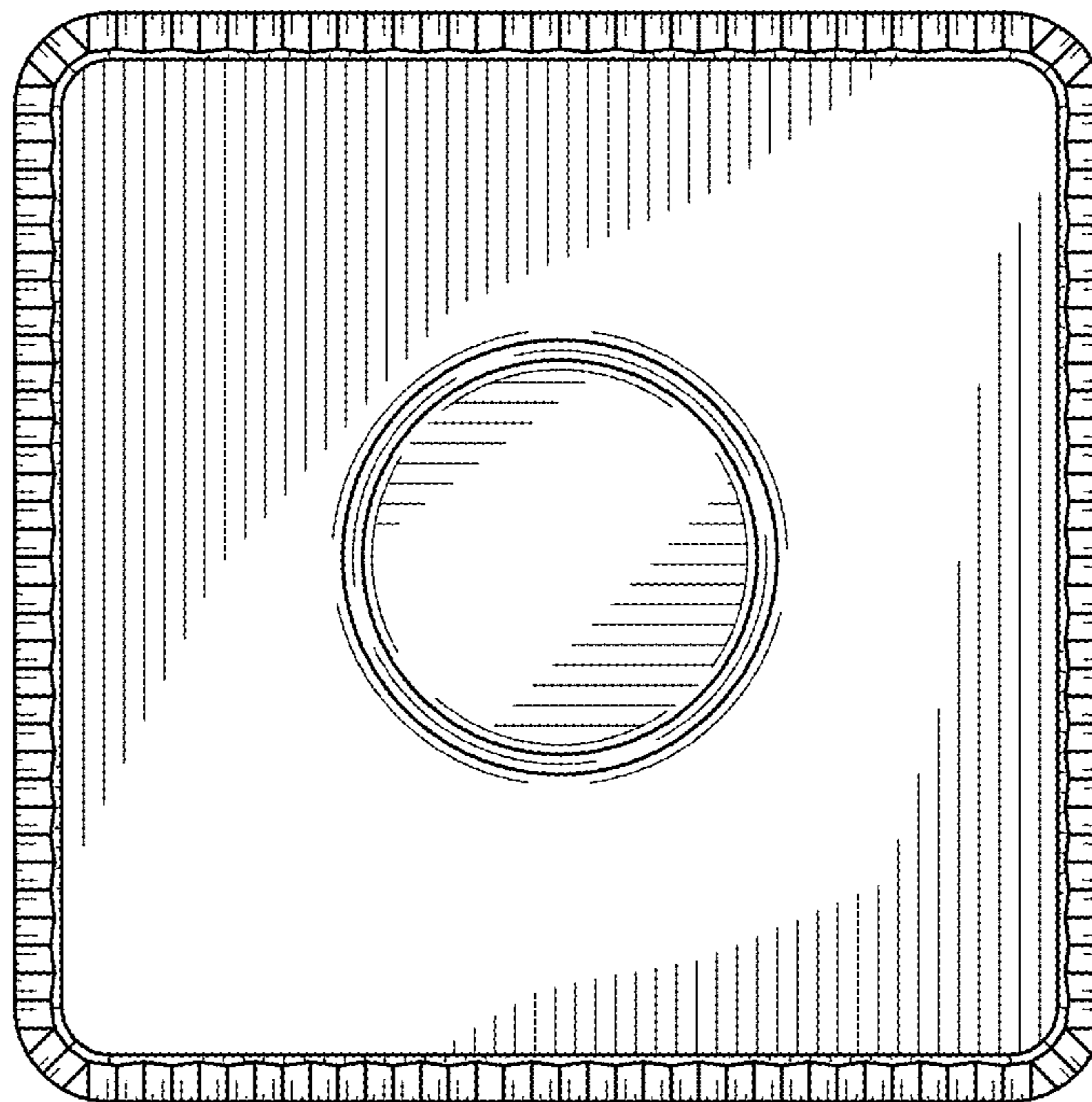


FIG. 4

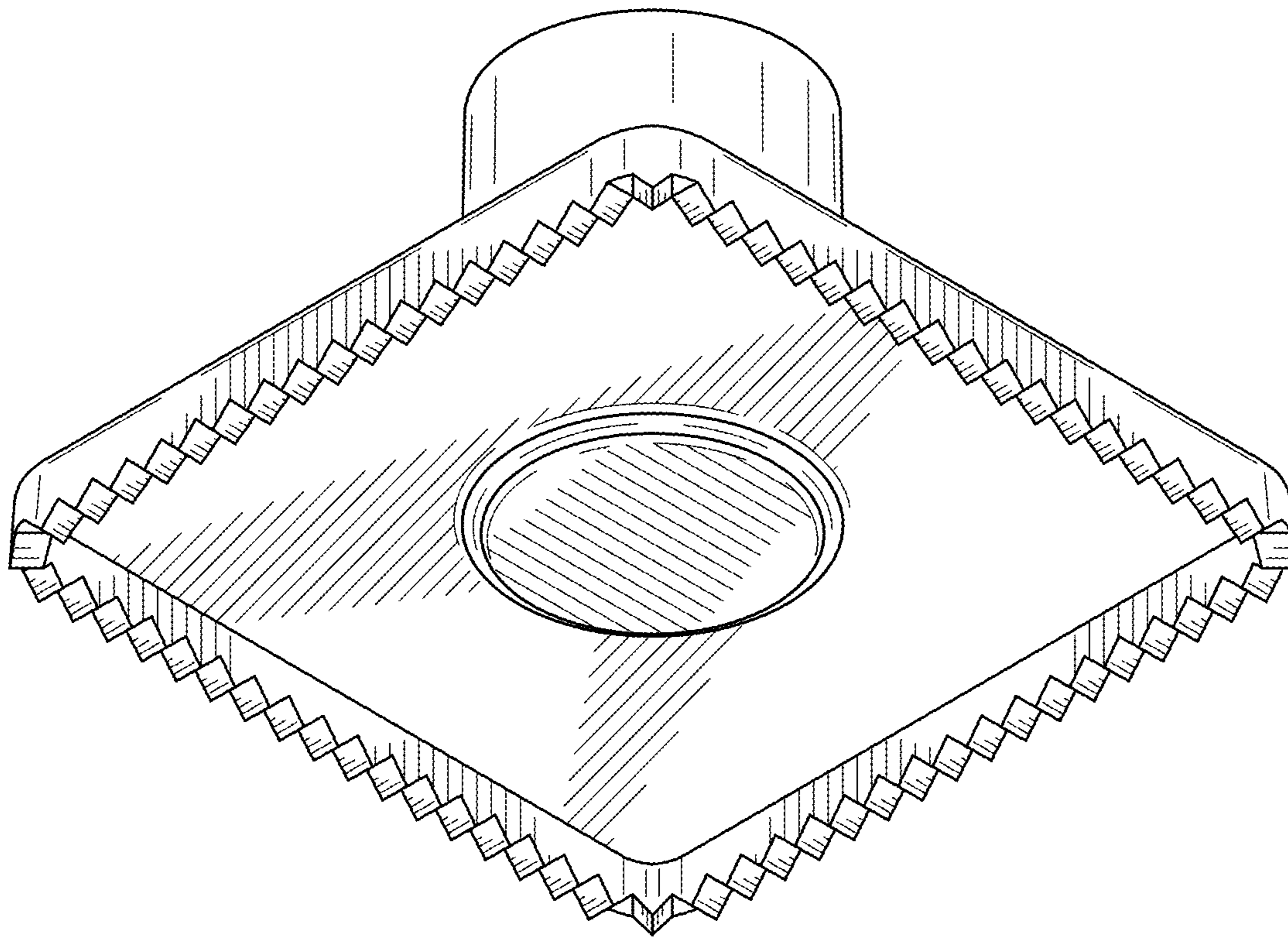


FIG. 5