



US00D948080S

(12) **United States Design Patent**
Hewitt

(10) **Patent No.:** **US D948,080 S**

(45) **Date of Patent:** **** Apr. 5, 2022**

(54) **POST**

H05B 6/36; H05B 6/42; H05B 6/44;
Y02P 10/25; H01Q 1/42

(71) Applicant: **FSP Holdings Pty Limited**, Singleton
(AU)

See application file for complete search history.

(72) Inventor: **Stephan Hewitt**, Singleton (AU)

(56) **References Cited**

(73) Assignee: **FSP HOLDINGS PTY LIMITED.**,
Singleton (AU)

U.S. PATENT DOCUMENTS

(**) Term: **15 Years**

D600,362	S	*	9/2009	Geffe	D25/126
D609,825	S	*	2/2010	Clarke	D25/126
D718,884	S	*	12/2014	Thrush	D25/125
D764,075	S	*	8/2016	Honda	D25/119
D766,465	S	*	9/2016	Honda	D25/119
D800,344	S	*	10/2017	Apanovich	D25/119
D800,921	S	*	10/2017	Apanovich	D25/119
D816,889	S	*	5/2018	Farnsworth	D26/118
D841,833	S	*	2/2019	Apanovich	D25/119
D842,496	S	*	3/2019	Apanovich	D25/119
D843,015	S	*	3/2019	Apanovich	D25/119
D923,821	S	*	6/2021	Baltz, Jr.	D25/102

(21) Appl. No.: **29/734,915**

(22) Filed: **May 15, 2020**

(30) **Foreign Application Priority Data**

Nov. 20, 2019 (AU) 201916591

* cited by examiner

(51) **LOC (13) Cl.** **25-01**

Primary Examiner — Samantha Q Lawrence

(52) **U.S. Cl.**
USPC **D25/131**

(57) **CLAIM**

(58) **Field of Classification Search**

The ornamental design for the post, as shown and describe.

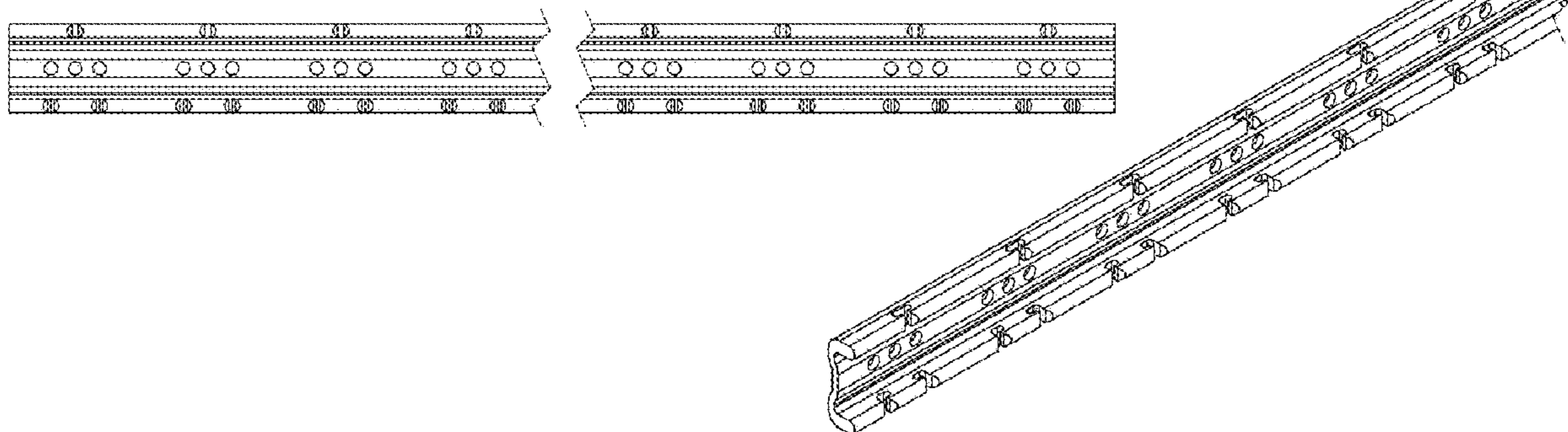
USPC D25/119, 125, 126, 127, 128, 129, 130,
D25/131, 132, 133, 135, 136, 61, 164,
D25/134; D8/45, 71, 394–396, 349, 354,
D8/355; D15/136, 138, 135

CPC E04B 9/068; E04B 1/19; E04B 1/1903;
E04B 1/24; E04B 1/2403; E04B 1/40;
E04B 2001/2415; E04B 2001/2421; E04B
2001/2451; E04C 3/07; E04C 2003/046;
E04C 3/04; E04C 3/06; E04H 12/2269;
E04H 12/24; E04H 15/34; E04H 17/1421;
E04H 12/00; B60K 25/08; C21D 1/42;
C21D 1/667; C21D 9/0062; C21D 9/40;
F16D 11/14; F16D 15/00; F16D 1/101;
F16D 1/12; H05B 6/101; H05B 6/109;

DESCRIPTION

FIG. 1 is a front elevation of a post showing my new design;
FIG. 2 is a right side view thereof;
FIG. 3 is a rear elevation thereof;
FIG. 4 is a left side view thereof;
FIG. 5 is a top view thereof, the bottom view being a mirror
image; and,
FIG. 6 is an enlarged perspective view showing an end
portion of the post separated for ease of illustration.
The post is shown with a symbolic break in its length. The
appearance of any portion of the article between the break
lines forms no part of the claimed design.

1 Claim, 6 Drawing Sheets



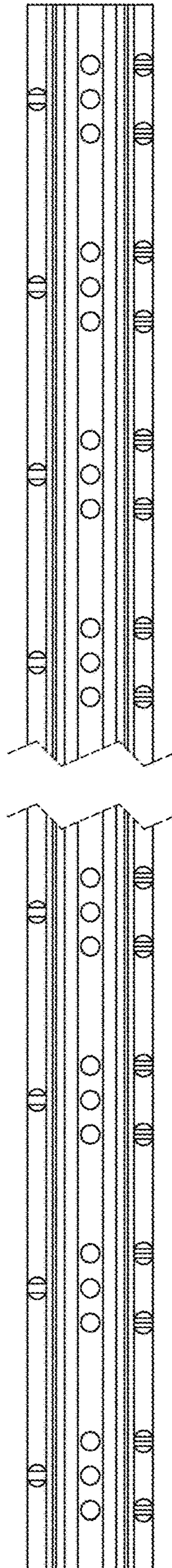


Fig. 1



Fig. 2

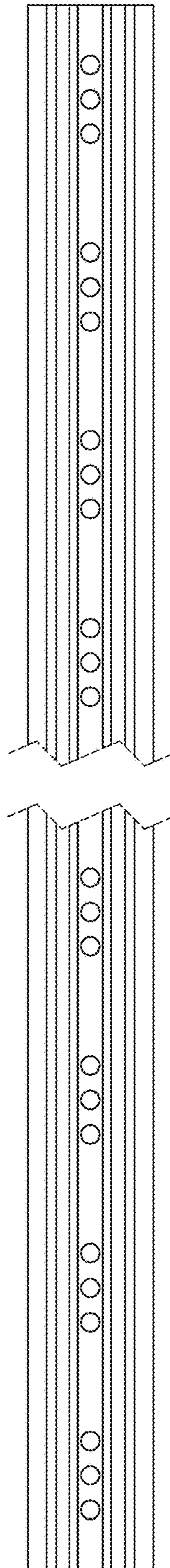


Fig. 3



Fig. 4



Fig. 5

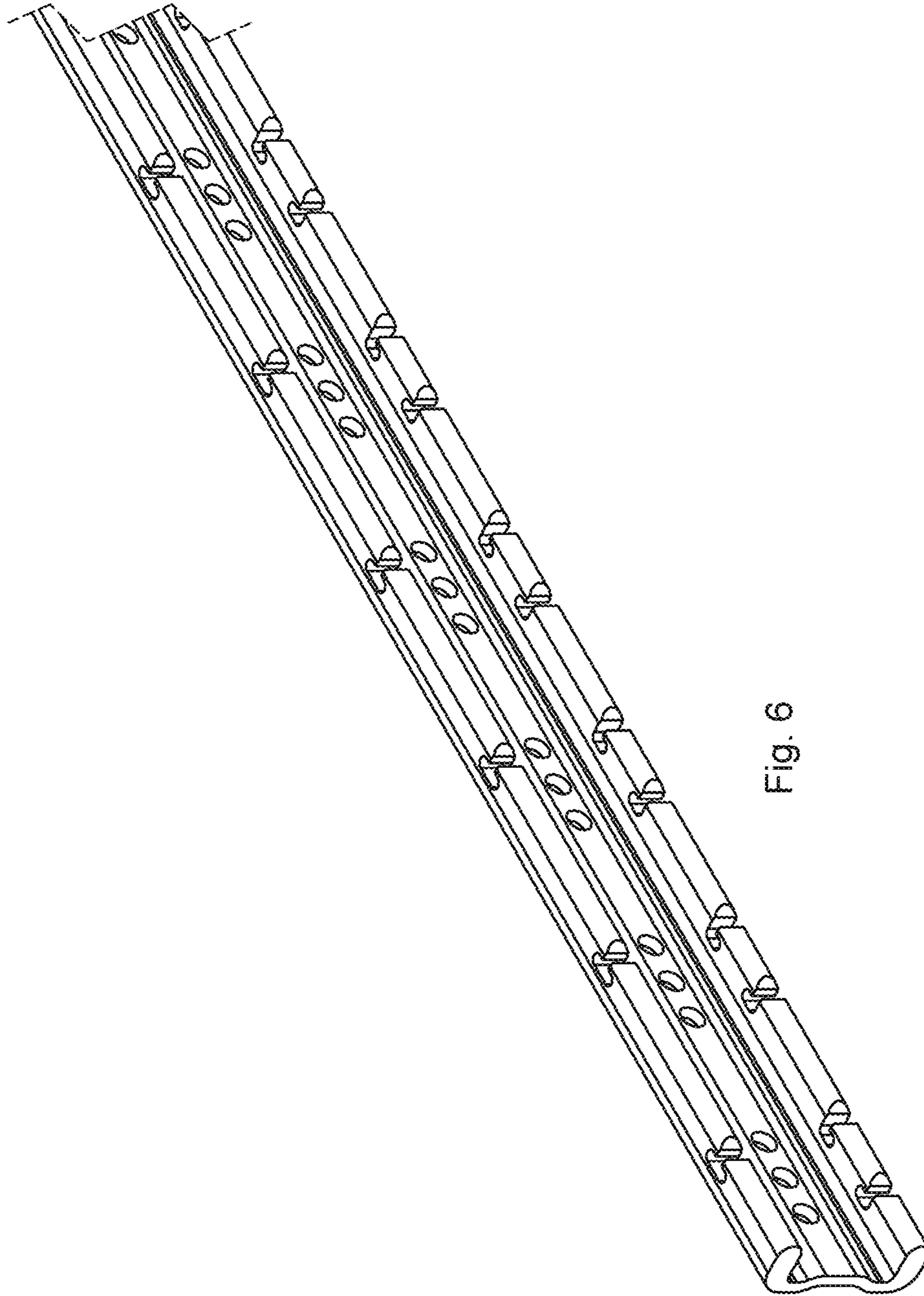


Fig. 6