



US00D948078S

(12) **United States Design Patent** (10) **Patent No.:** **US D948,078 S**  
**Frilh** (45) **Date of Patent:** **\*\* Apr. 5, 2022**

(54) **ACCESS CONTROL DEVICE** 2014/0197919 A1\* 7/2014 Rosenberger ..... G07C 9/257  
340/5.51  
(71) Applicant: **Dormakaba Deutschland GmbH,** 2017/0053435 A1\* 2/2017 Reymann ..... H04N 7/183  
Ennepetal (DE) 2017/0116797 A1\* 4/2017 Whiteman ..... G07C 9/20  
2019/0122475 A1\* 4/2019 Dyne ..... G07C 9/37  
(72) Inventor: **Bernhard Frilh,** Ennepetal (DE) 2019/0145169 A1\* 5/2019 Marquart ..... E06B 11/08  
49/46  
(\*\*) Term: **15 Years** 2021/0209883 A1\* 7/2021 Arrufat Ribas .... G06K 9/00201  
2021/0225091 A1\* 7/2021 Packham ..... G01S 7/52004

(21) Appl. No.: **35/510,169**

**FOREIGN PATENT DOCUMENTS**

(22) Filed: **Aug. 5, 2020**

CN 112216003 \* 1/2021  
WO RGN-D209859-002 \* 8/2020

(80) **Hague Agreement Data**

**OTHER PUBLICATIONS**

Int. Filing Date: **Aug. 5, 2020**  
Int. Reg. No.: **DM/209859**  
Int. Reg. Date: **Aug. 5, 2020**  
Int. Reg. Pub. Date: **Aug. 28, 2020**

Electric Sliding Security Entrance Control Turnstyle (available online) Retrieved from the internet Sep. 14, 2021 from URL: <https://www.anxiagroup.com/turnstile/sliding-turnstile/electric-sliding-security-entrance-control.html>.\*

(51) **LOC (13) Cl.** ..... **25-02**

(Continued)

(52) **U.S. Cl.**  
USPC ..... **D25/48.5**

*Primary Examiner* — Richard Kearney

(58) **Field of Classification Search**  
USPC ..... D25/48.1, 48.3, 48.4, 48.5, 48.6;  
D14/420, 453; D20/2

(57) **CLAIM**

CPC ... G07C 9/10; G07C 9/15; G07C 9/20; G07C  
9/21; G07C 9/22; E05F 15/649  
See application file for complete search history.

The ornamental design for an access control device, as shown and described.

(56) **References Cited**

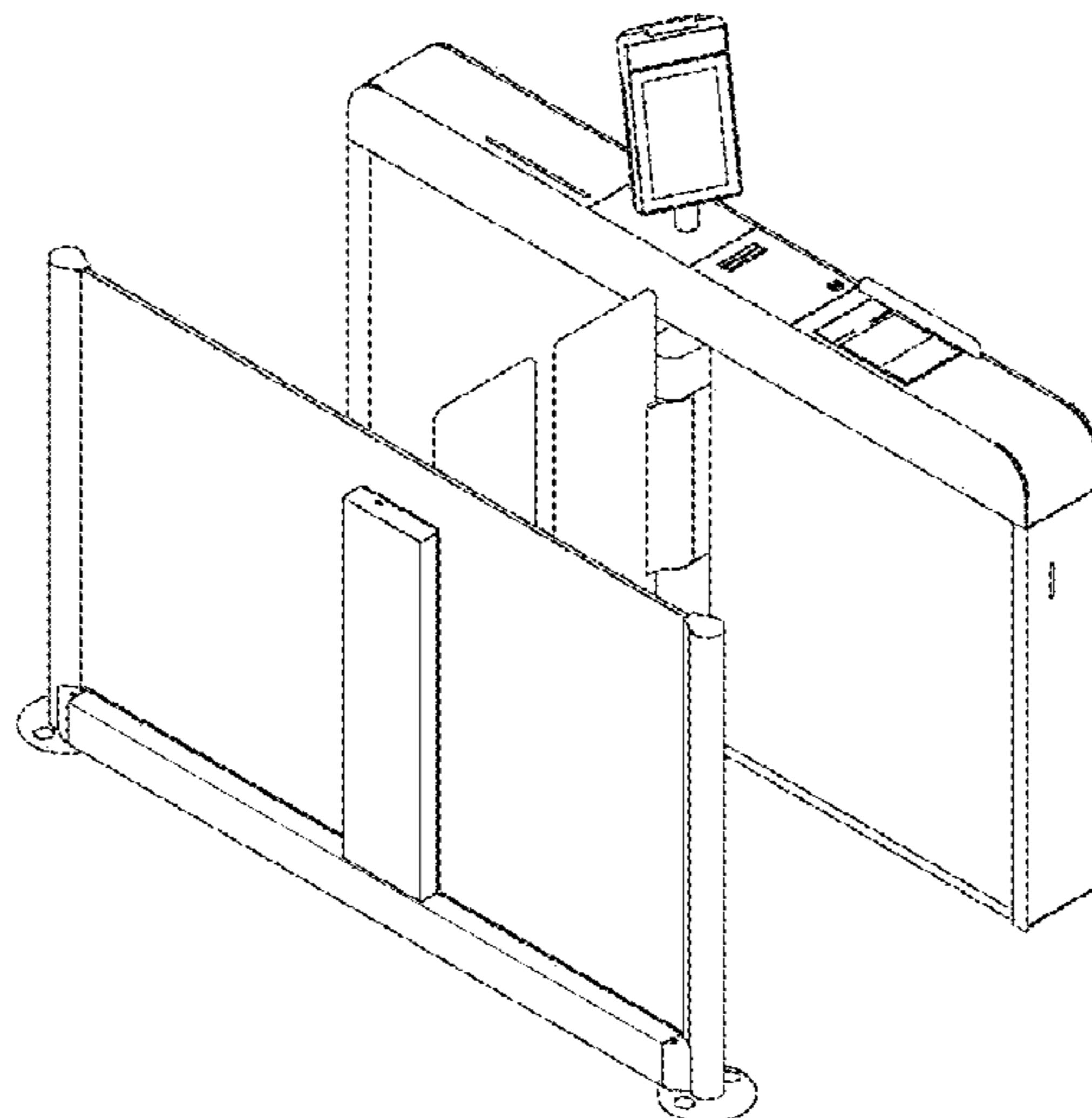
**DESCRIPTION**

**U.S. PATENT DOCUMENTS**

3,606,698 A \* 9/1971 Tanaka ..... G07C 9/15  
49/35  
D261,433 S \* 10/1981 Sugano ..... D20/2  
D696,792 S \* 12/2013 Cheong ..... D25/48.5  
D777,346 S \* 1/2017 Journet ..... D25/48.5  
D795,452 S \* 8/2017 Rauta ..... D25/48.5  
D799,061 S \* 10/2017 Rauta ..... D25/48.5  
D823,482 S \* 7/2018 Huff ..... D25/48.6  
D905,277 S \* 12/2020 Rauta ..... D25/48.6  
2007/0271846 A1\* 11/2007 Miller ..... E06B 11/085  
49/49  
2011/0277518 A1\* 11/2011 Lais ..... G07C 9/37  
70/101

1.,3. Access control device  
1.1 : Perspective  
1.2 : Front  
1.3 : Back  
1.4 : Left  
1.5 : Right  
1.6 : Top  
3.1 : Perspective  
3.2 : Top  
3.3 : Left  
3.4 : Front

**1 Claim, 10 Drawing Sheets**



(56)

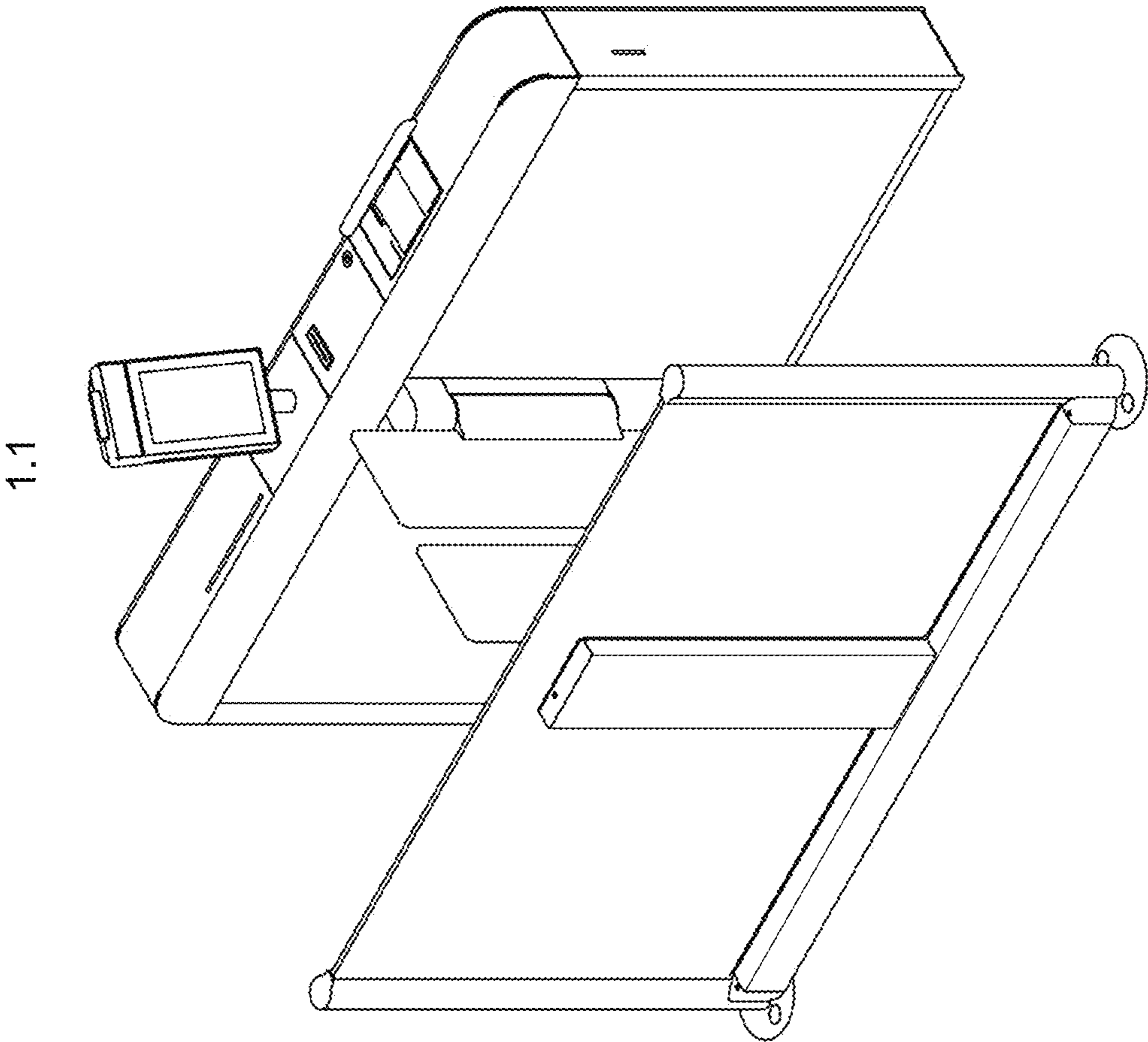
**References Cited**

OTHER PUBLICATIONS

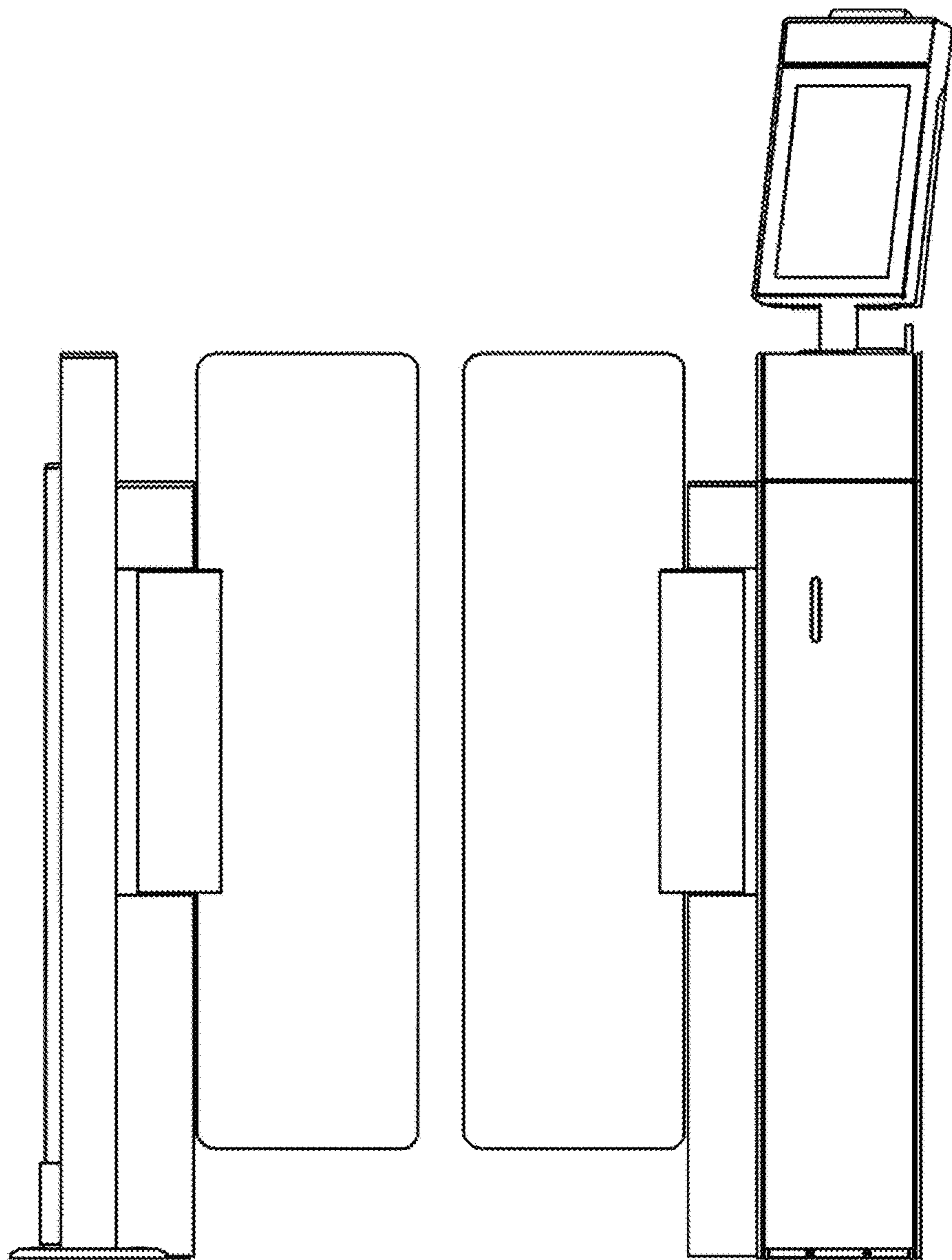
Dormakaba Sensor barriers (available online) Retrieved from the internet Sep. 14, 2021 from URL: <https://www.dormakaba.com/us-en/solutions/products/entrance-systems/speed-gates/sensor-barriers-argus-40-60-80-807888>.\*

Electric Sliding Security Entrance Control Turnstile Feb. 26, 2019 (available online Feb. 26, 2019) Retrieved from the internet Sep. 14, 2021 from URL: <https://web.archive.org/web/20190226155107/http://www.anxiagroup.com:80/turnstile/sliding-turnstile/electric-sliding-security-entrance-control.html>.\*

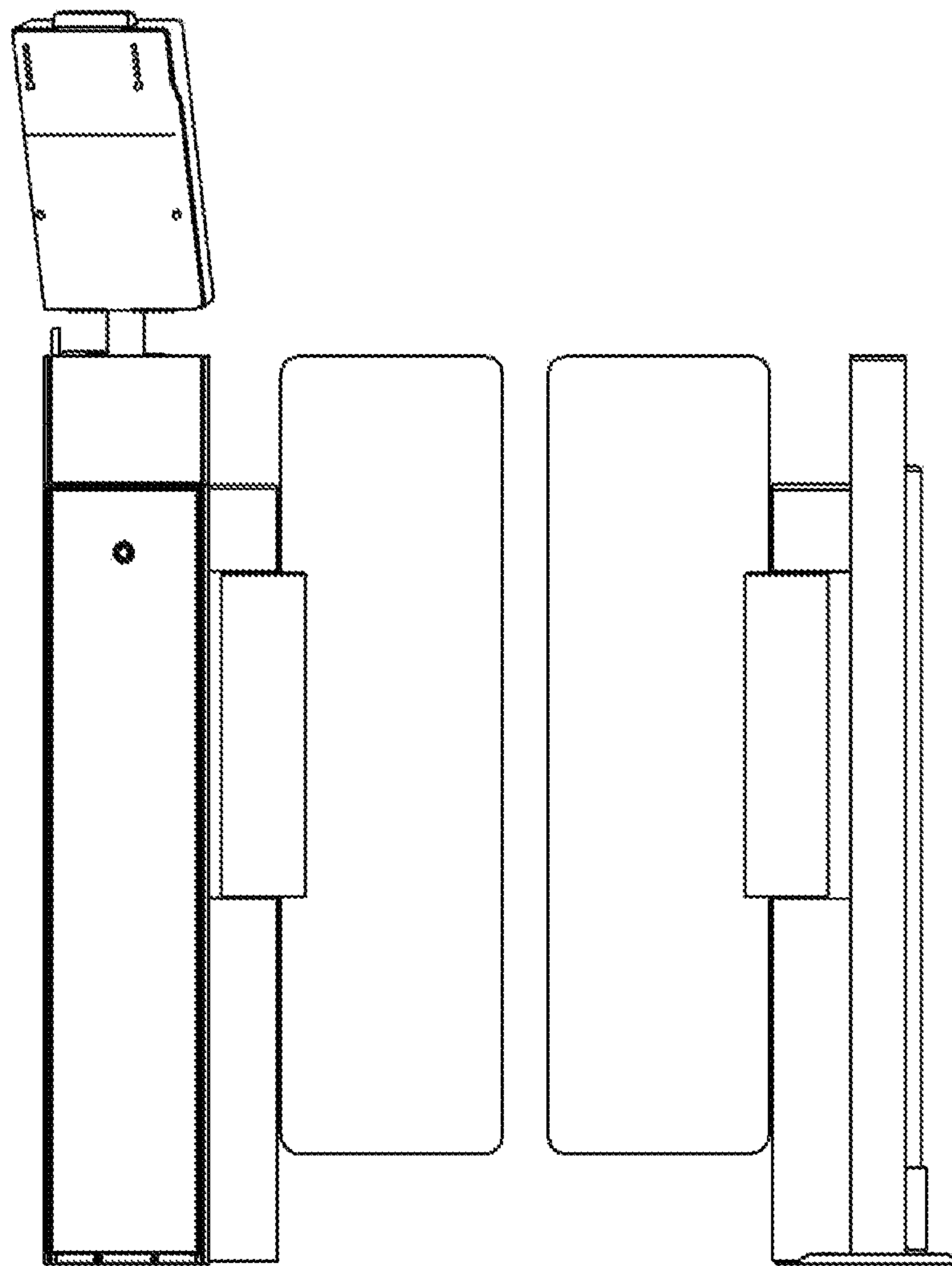
\* cited by examiner



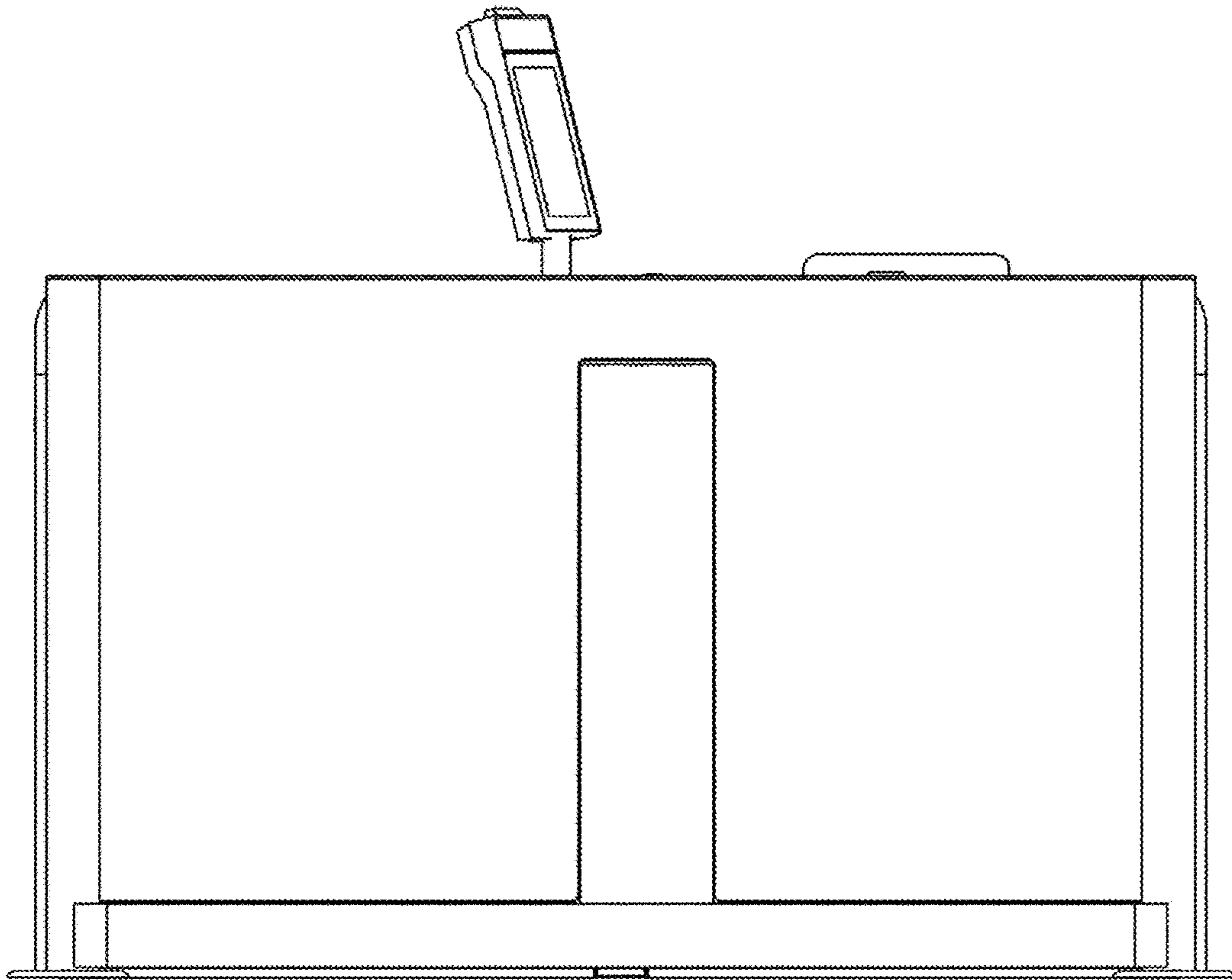
1.2



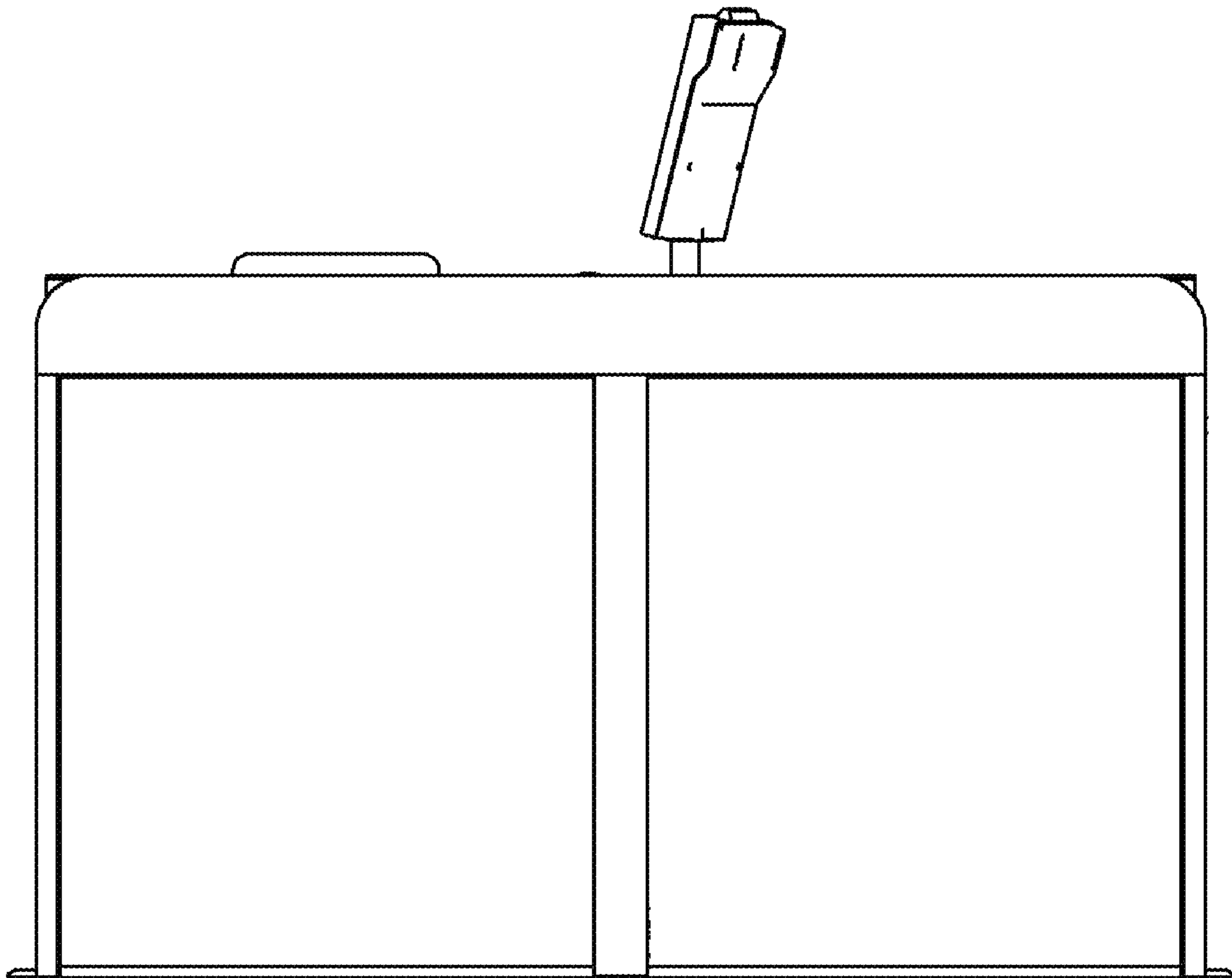
1.3



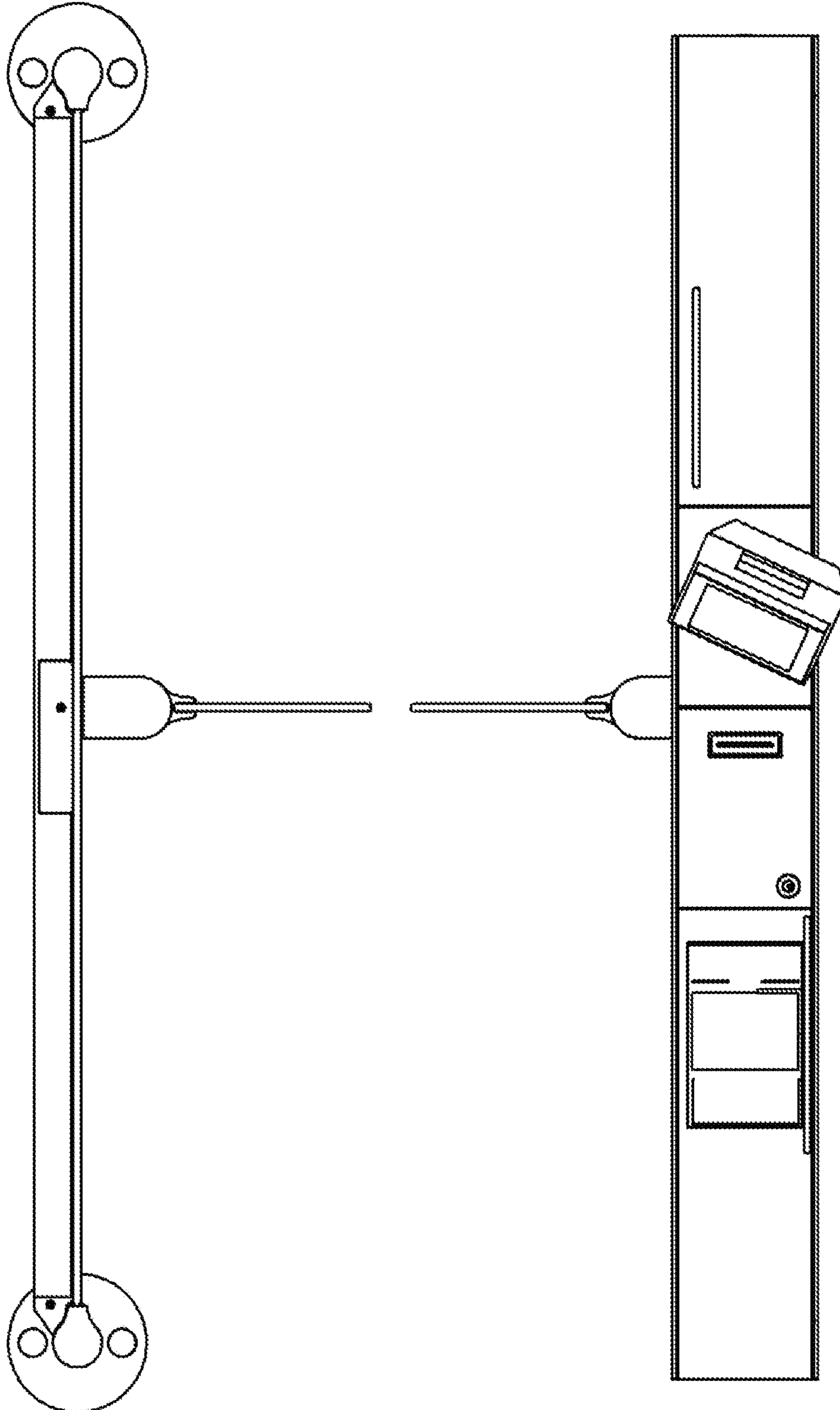
1.4



1.5

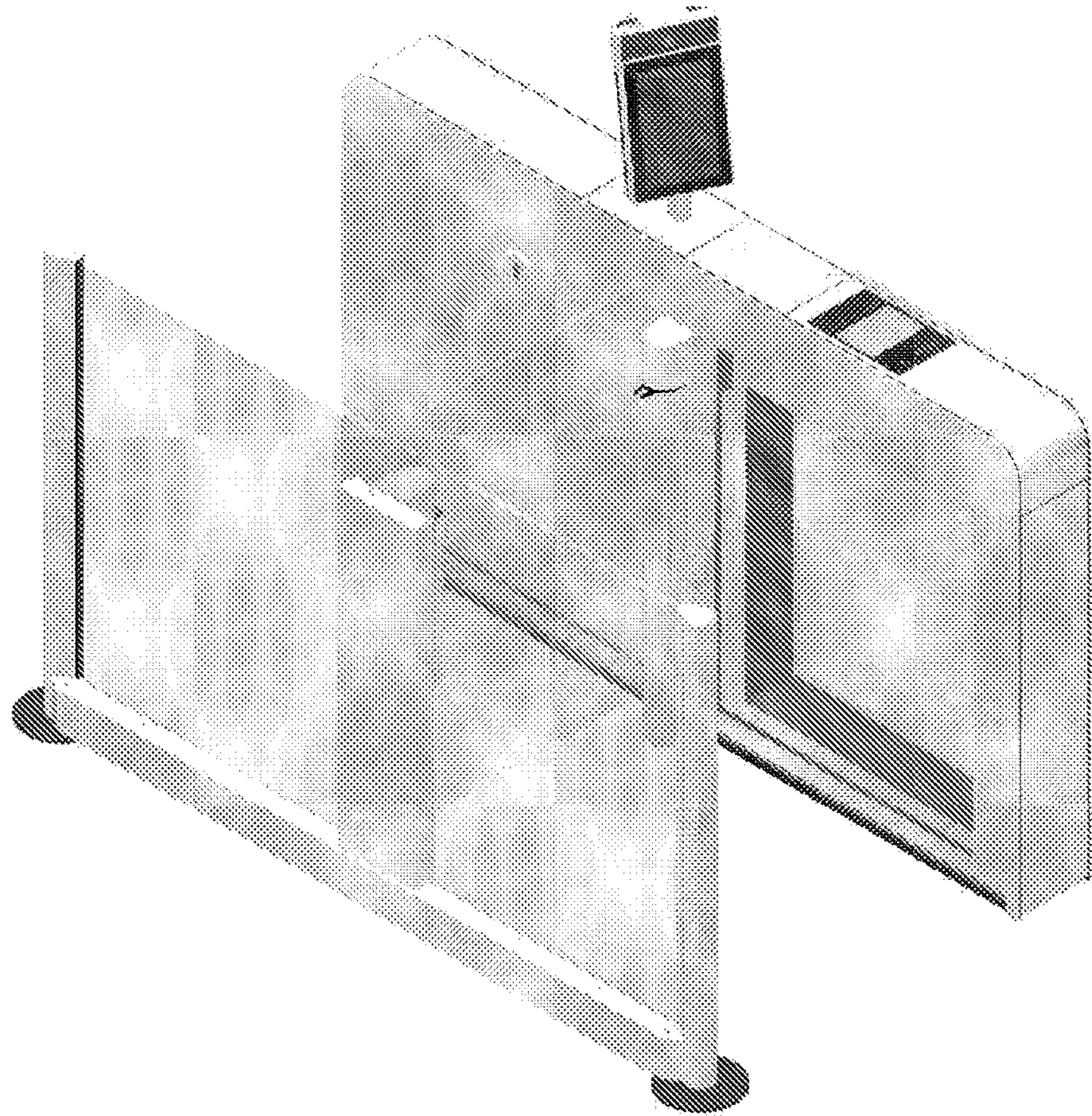


1.6

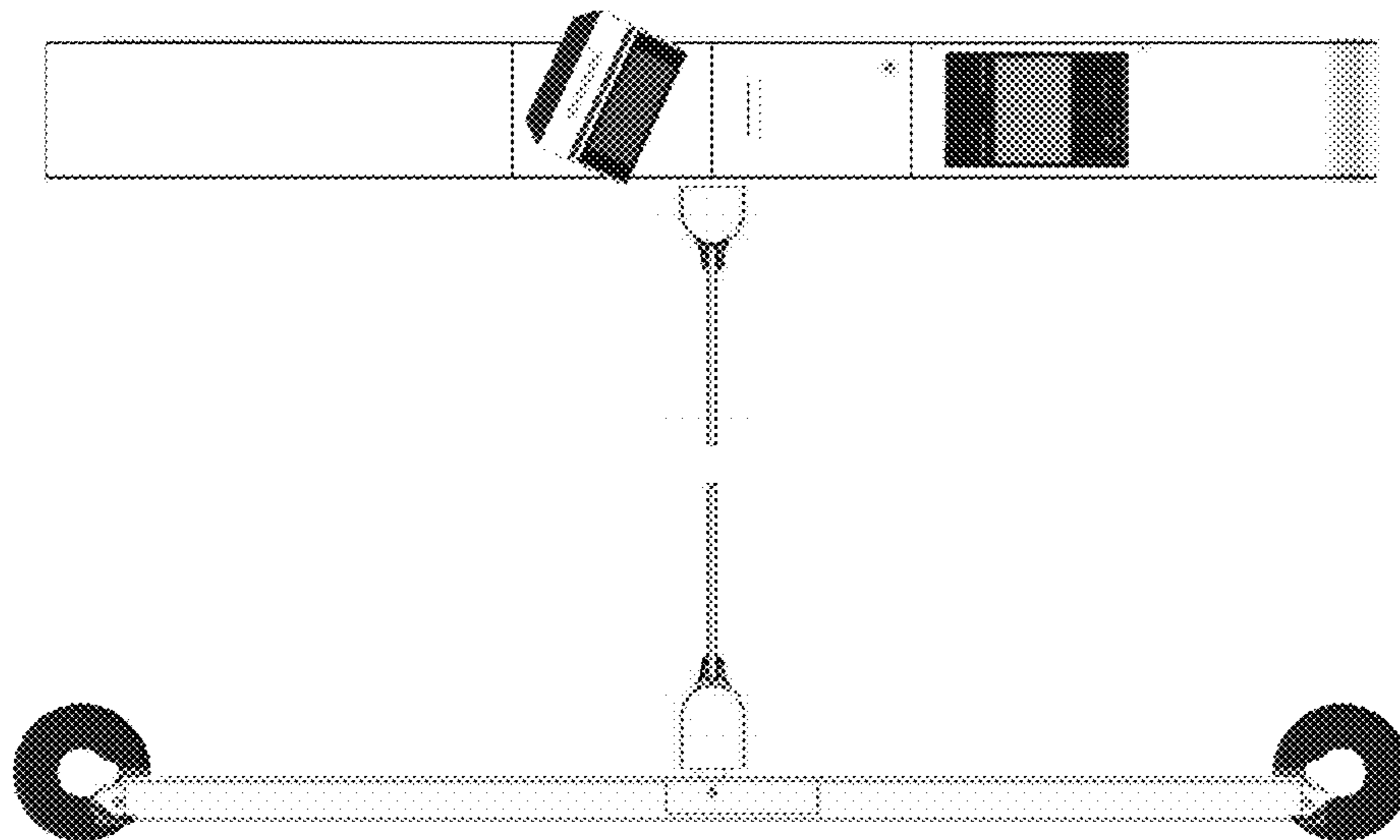




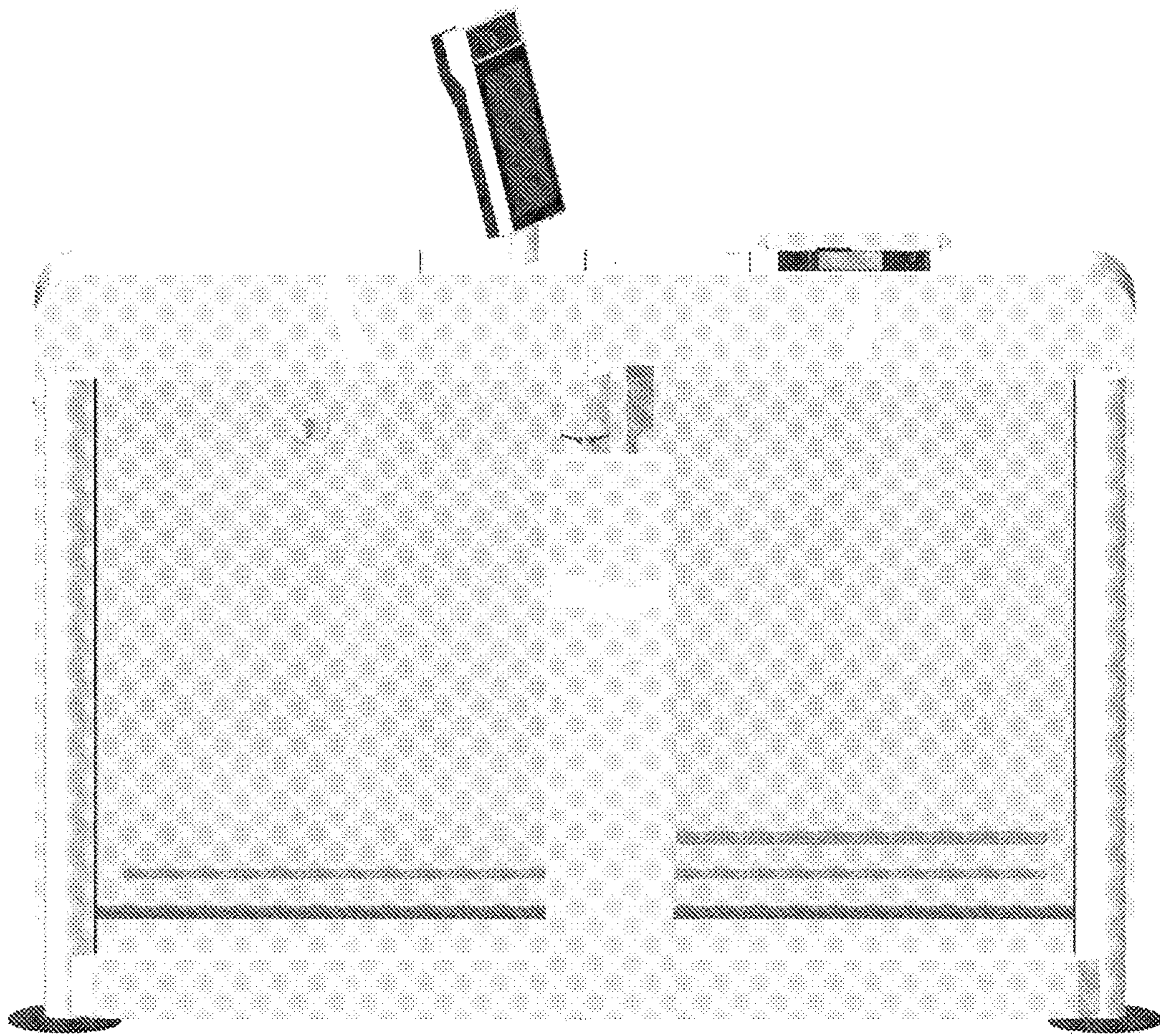
3.1



3.2



3.3



3.4

