



US00D948077S

(12) **United States Design Patent**
MacKarvich

(10) **Patent No.:** **US D948,077 S**

(45) **Date of Patent:** **** Apr. 5, 2022**

(54) **GUARDRAIL POST MOUNT**

(71) Applicant: **Charles J. MacKarvich**, Atlanta, GA
(US)

(72) Inventor: **Charles J. MacKarvich**, Atlanta, GA
(US)

(**) Term: **15 Years**

(21) Appl. No.: **29/806,186**

(22) Filed: **Sep. 1, 2021**

(51) **LOC (13) Cl.** **25-02**

(52) **U.S. Cl.**
USPC **D25/41.1**

(58) **Field of Classification Search**
USPC D8/354, 366, 371, 372, 367, 374, 373,
D8/376, 375, 16, 19, 45, 380, 381, 394,
D8/71, 365; D25/1, 127, 134, 41.1, 68
CPC E04F 11/1834; E04F 11/1808; E04F
11/1836

See application file for complete search history.

(56) **References Cited**

U.S. PATENT DOCUMENTS

2,628,800 A * 2/1953 Kindorf F16L 3/24
248/228.3
2,834,621 A * 5/1958 Schroer E04F 11/181
403/399

3,018,077 A * 1/1962 Buehler E04F 11/181
248/539
3,804,374 A * 4/1974 Thom E04F 11/181
256/65.01
3,995,832 A * 12/1976 Wiese E04H 3/123
182/78
6,125,598 A * 10/2000 Lanphier E04F 11/181
52/832
D615,217 S * 5/2010 Steinkraus D25/126
10,407,916 B1 * 9/2019 Samad E04F 11/1817

* cited by examiner

Primary Examiner — Eliza Z Bennett-Hattan

(74) *Attorney, Agent, or Firm* — Taylor English Duma
LLP

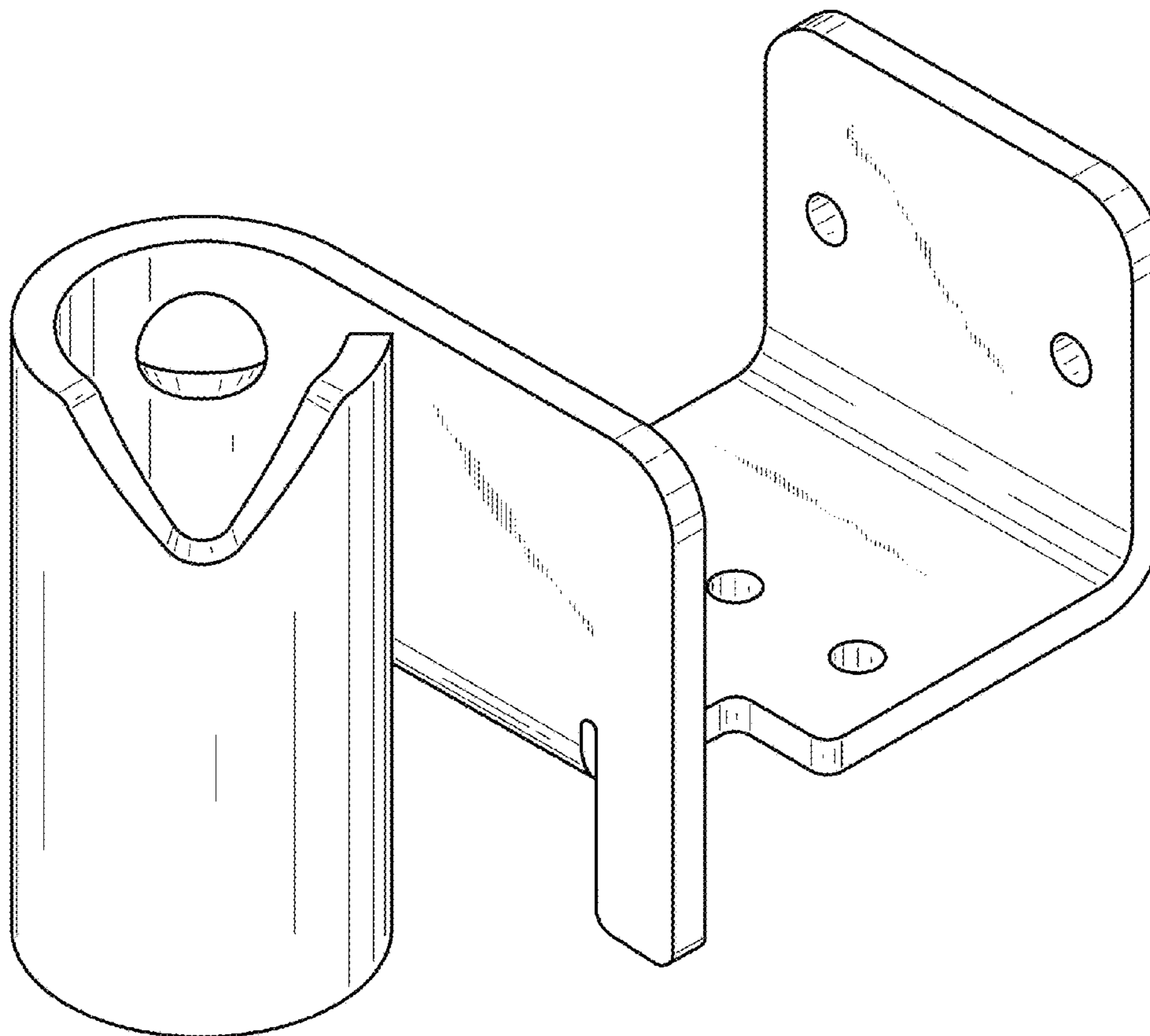
(57) **CLAIM**

I claim the ornamental design for a guardrail post mount, as shown and described.

DESCRIPTION

FIG. 1 is a perspective view of a guardrail post mount.
FIG. 2 is a left-side elevation view thereof.
FIG. 3 is a right-side elevation view thereof.
FIG. 4 is a front elevation view thereof.
FIG. 5 is a rear elevation view thereof.
FIG. 6 is a top plan view thereof; and,
FIG. 7 is a bottom plan view thereof.

1 Claim, 7 Drawing Sheets



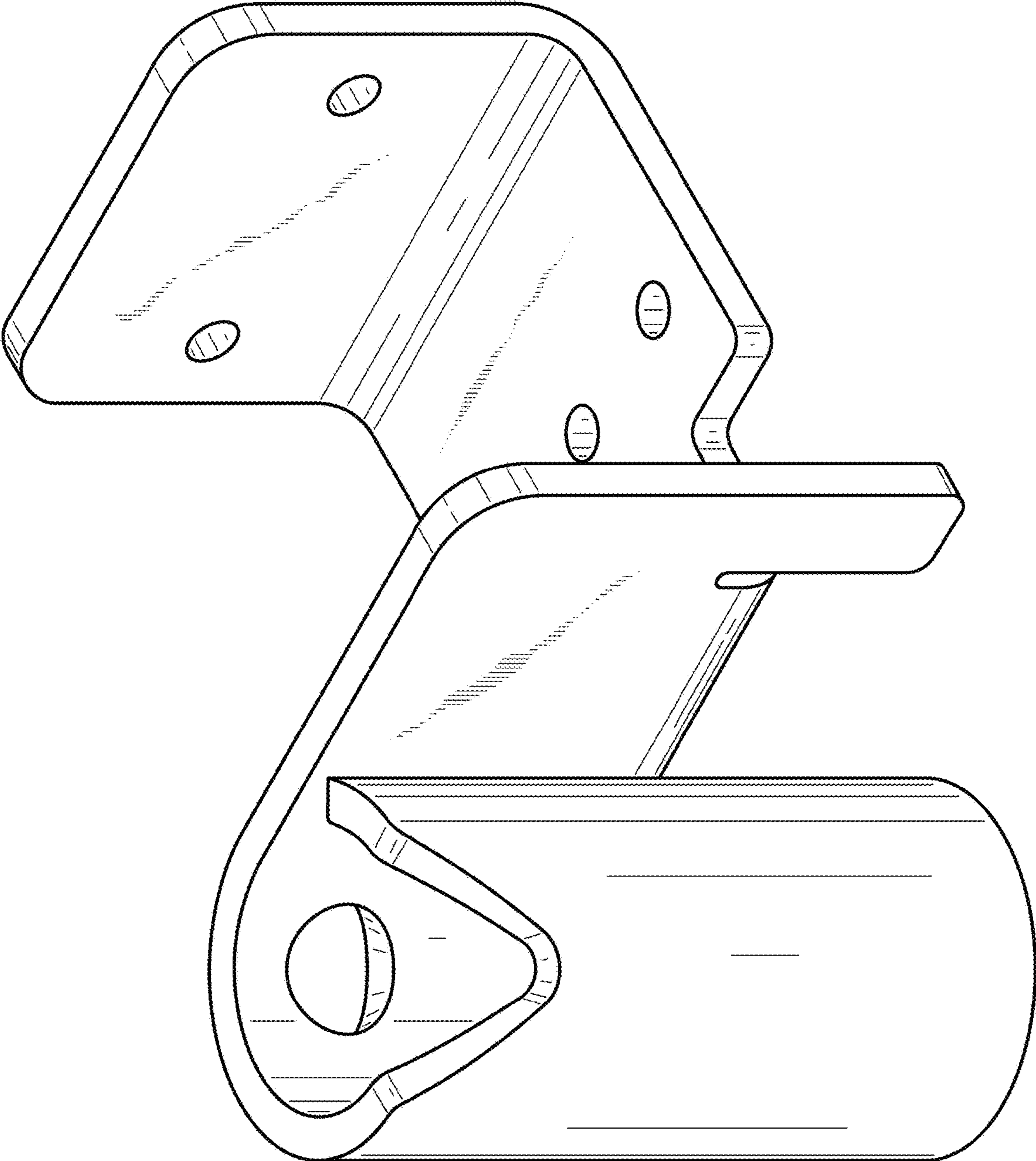


FIG. 1

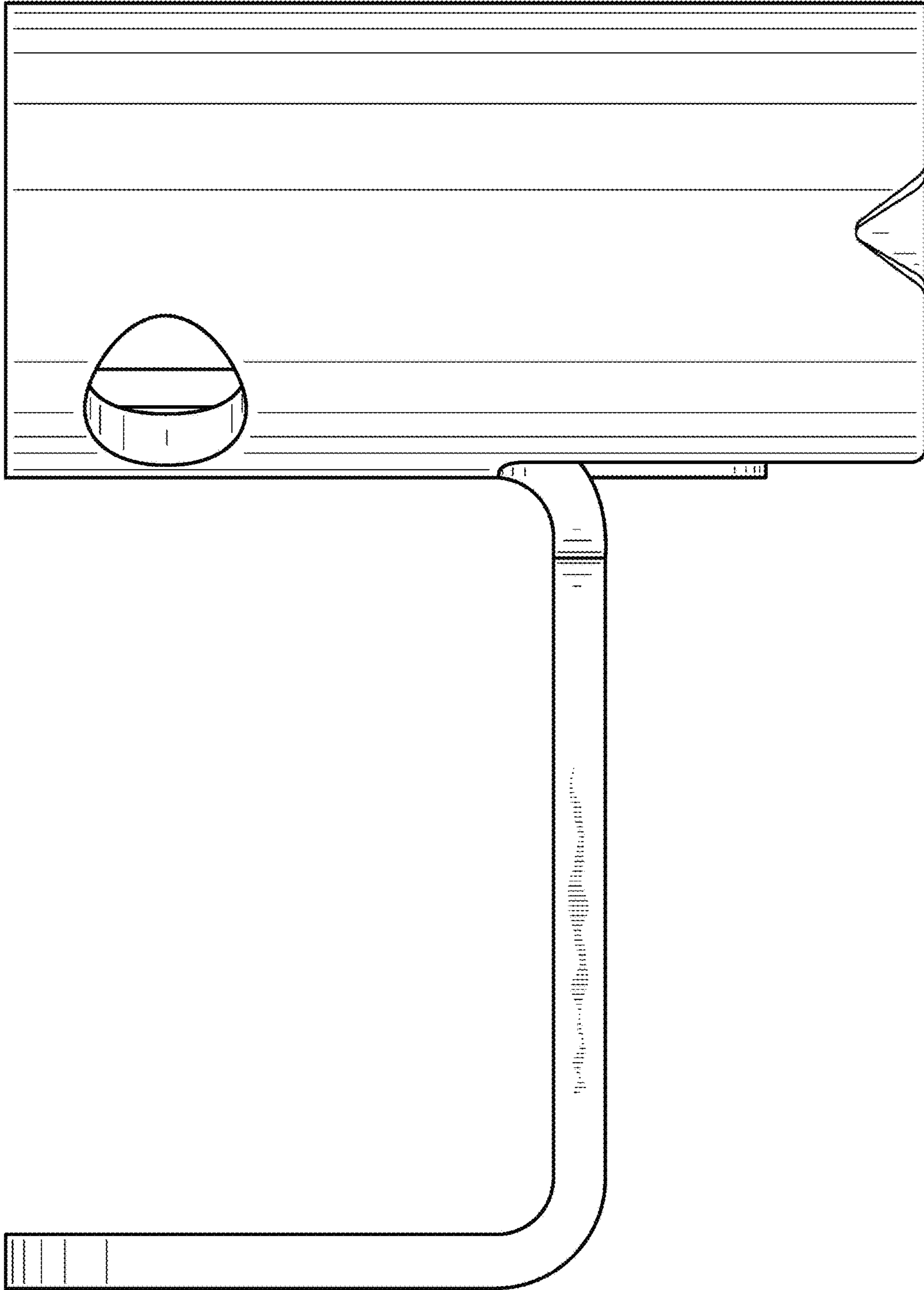


FIG. 2

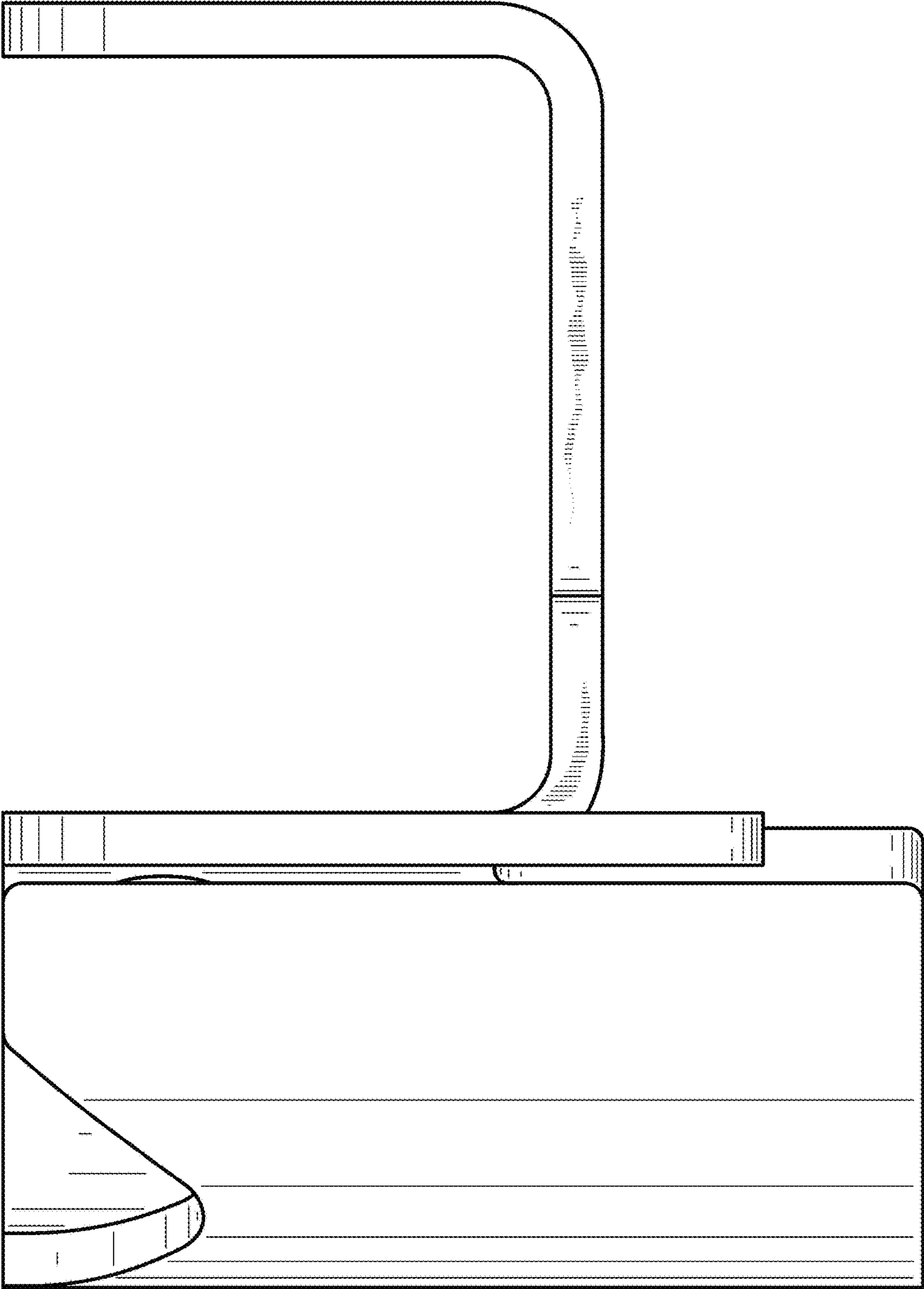


FIG. 3

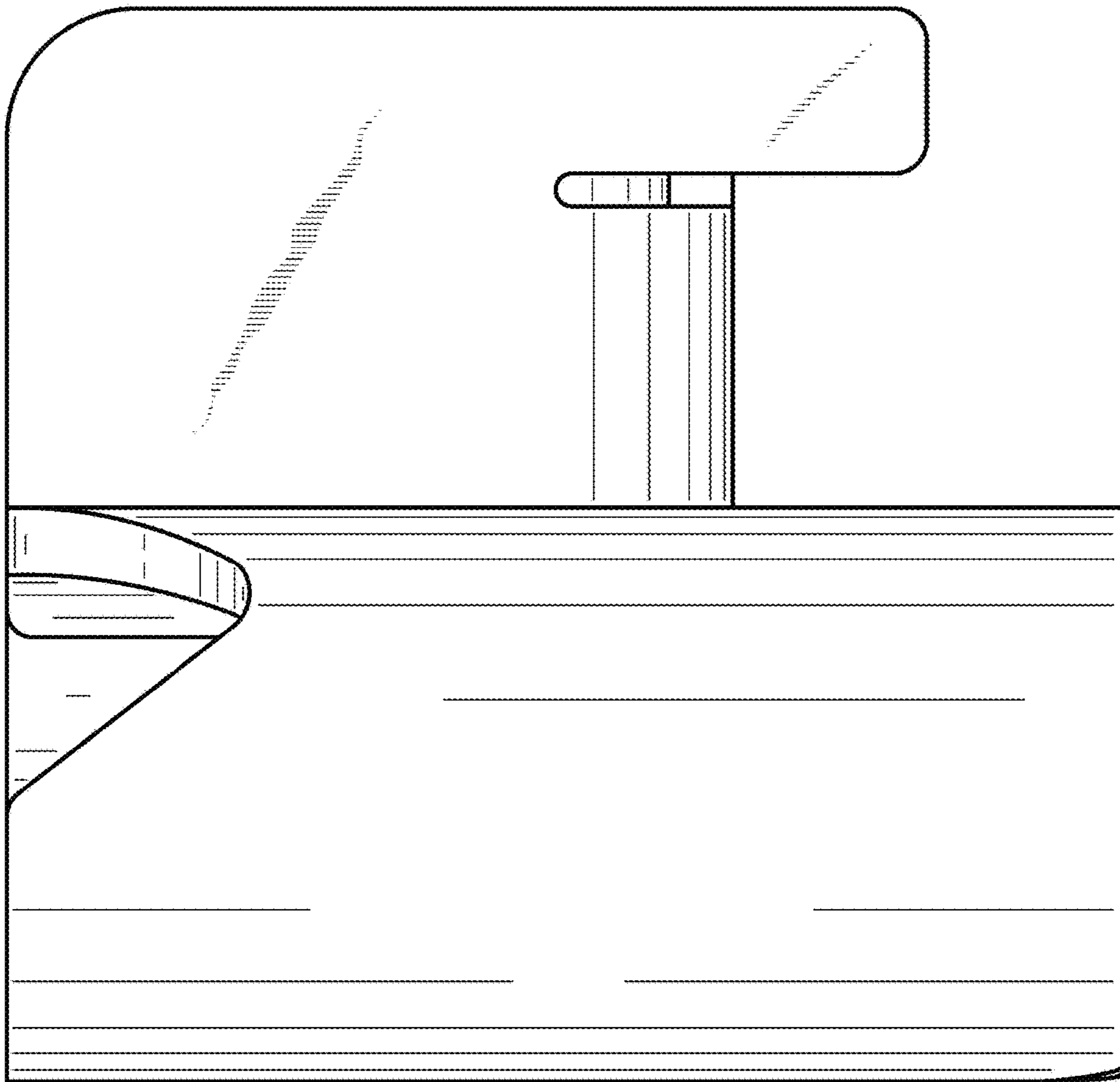


FIG. 4

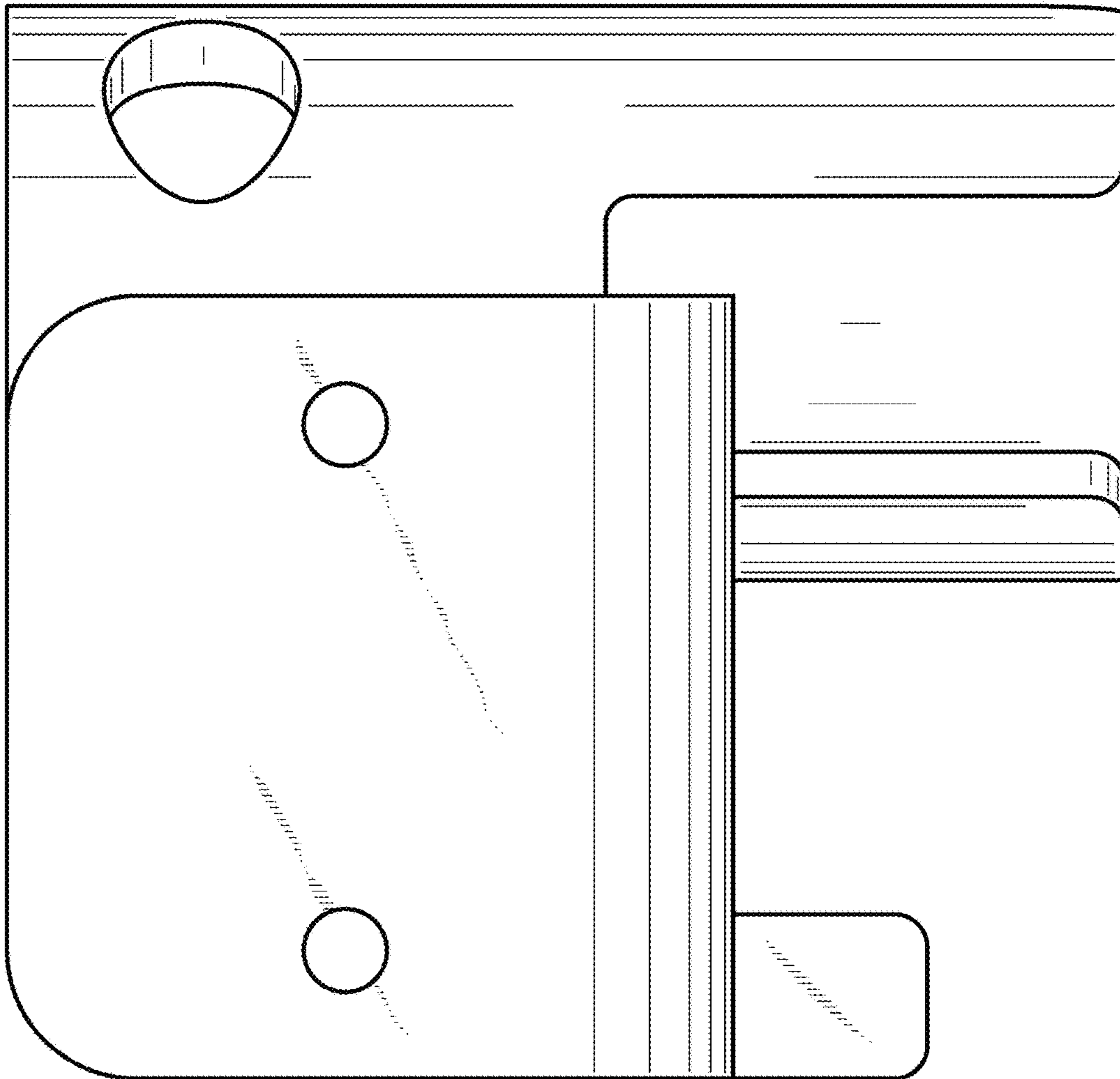


FIG. 5

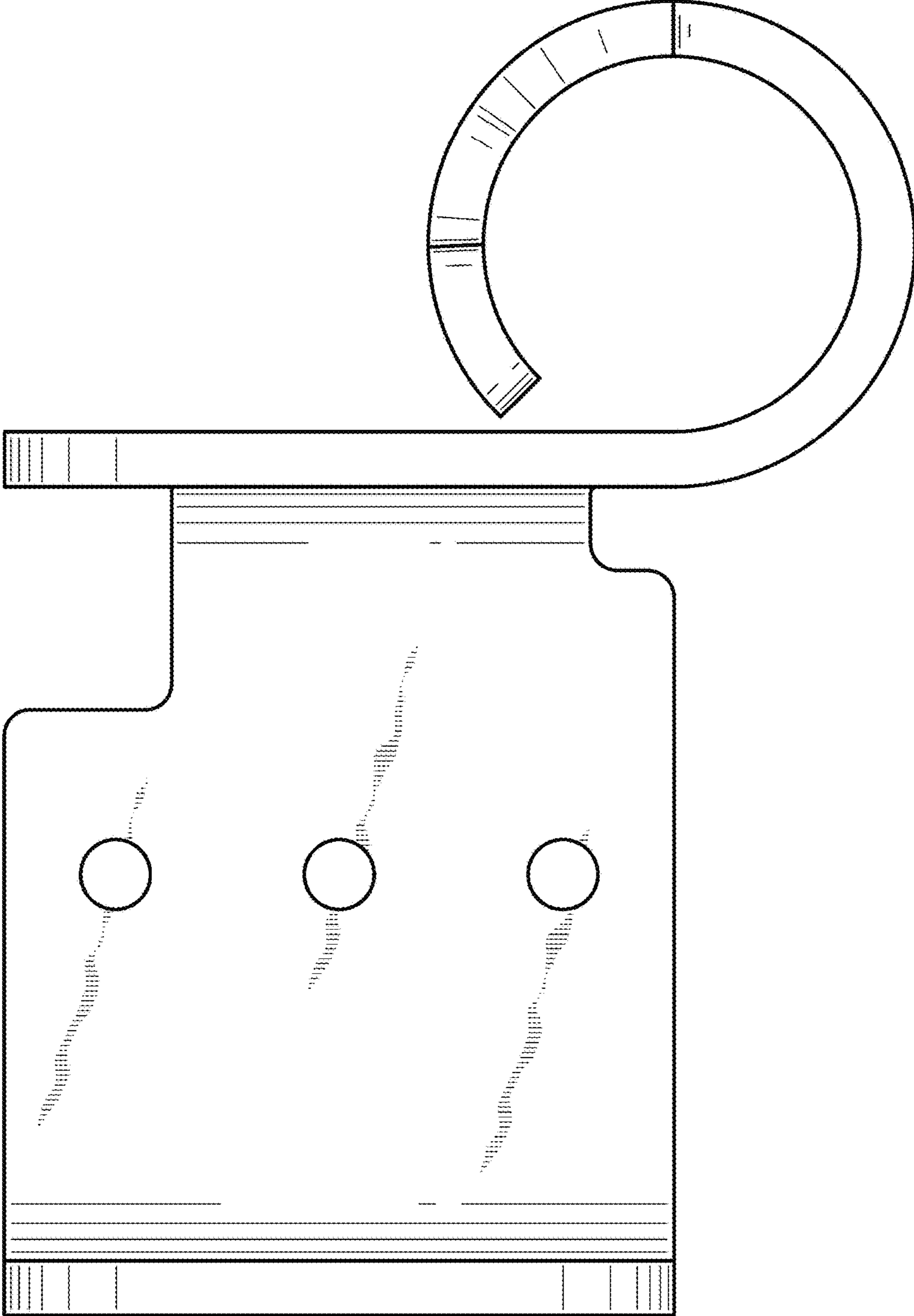


FIG. 6

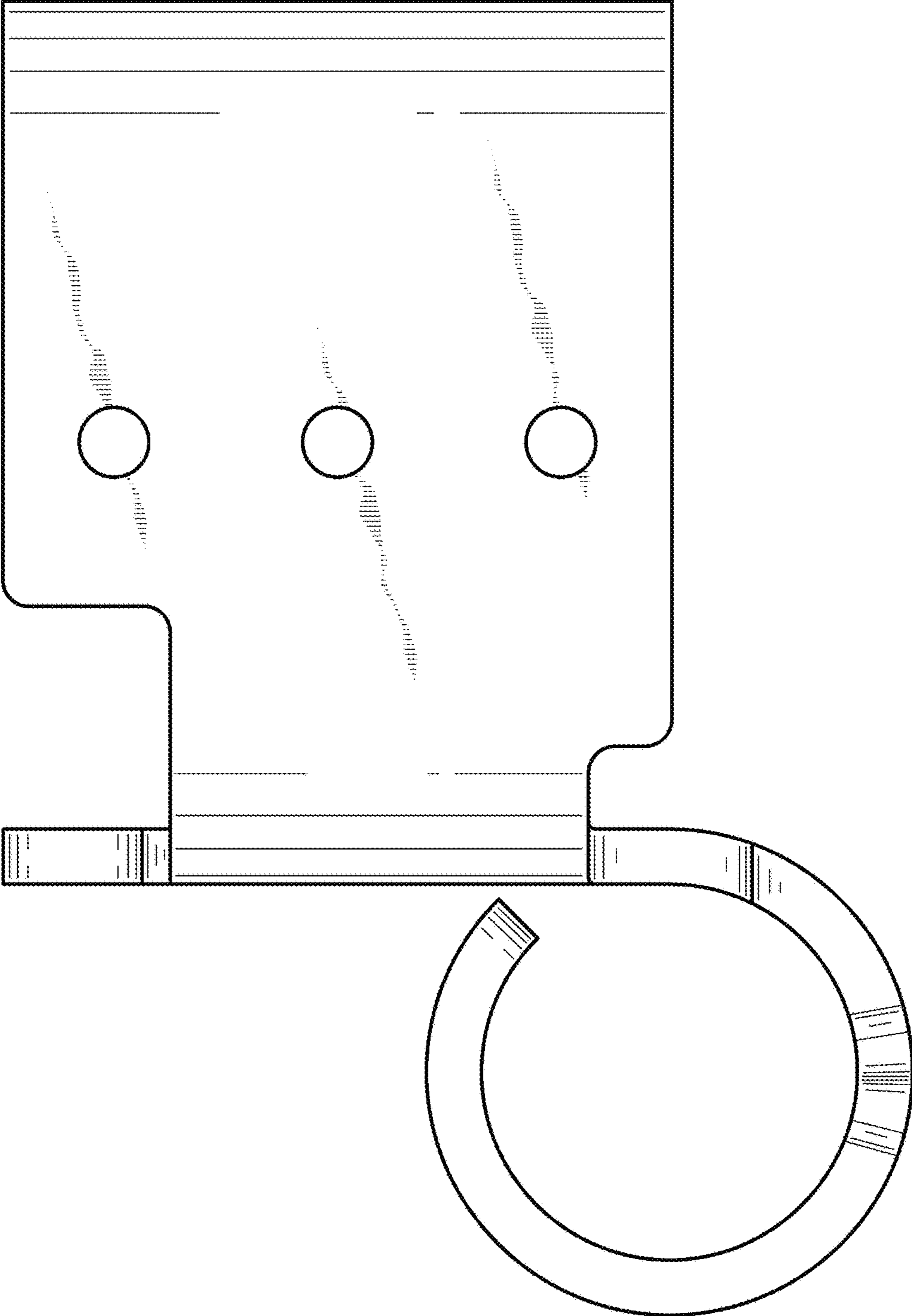


FIG. 7