



US00D948075S

(12) **United States Design Patent**
Sun et al.

(10) **Patent No.:** **US D948,075 S**
(45) **Date of Patent:** **** Apr. 5, 2022**

(54) **DISTRIBUTION STATION**
(71) Applicant: **Ninebot (Beijing) Tech Co., Ltd.**,
Beijing (CN)
(72) Inventors: **Chunyang Sun**, Beijing (CN); **Jian Li**,
Beijing (CN); **Shouming Zhao**, Beijing
(CN); **Yue Yang**, Beijing (CN)
(**) Term: **15 Years**
(21) Appl. No.: **35/511,332**
(22) Filed: **Aug. 5, 2020**
(80) **Hague Agreement Data**
Int. Filing Date: **Aug. 5, 2020**
Int. Reg. No.: **DM/210462**
Int. Reg. Date: **Aug. 5, 2020**
Int. Reg. Pub. Date: **Feb. 5, 2021**

D302,309 S * 7/1989 Fudge D25/16
D334,985 S * 4/1993 D'Agostino D25/1
5,285,604 A * 2/1994 Carlin E04H 1/1205
52/36.2
D353,677 S * 12/1994 Hassett D25/16
D382,975 S * 8/1997 Bolton D25/16
D409,759 S * 5/1999 Foster D25/1
D529,186 S * 9/2006 Fullelove D25/33
D541,428 S * 4/2007 Whalen D25/18
D545,450 S * 6/2007 Whalen D25/16
D545,976 S * 7/2007 Jackson D25/16
D556,340 S * 11/2007 Jackson D25/16
D556,341 S * 11/2007 Jackson D25/16
9,044,106 B1 * 6/2015 Smith G06K 9/6217
D735,884 S * 8/2015 Montagner D25/1
D736,405 S * 8/2015 Mulhausen D25/1
D739,955 S * 9/2015 Indio da Costa D25/1
D869,685 S * 12/2019 Migeon D25/22
D870,919 S * 12/2019 Fuster D25/30
D900,192 S * 10/2020 Redhead D25/16
D925,609 S * 7/2021 Westerlund D15/7
2005/0189364 A1 * 9/2005 Herzog G07F 11/42
221/1
2015/0158679 A1 * 6/2015 Lossov B65G 63/065
414/298

(30) **Foreign Application Priority Data**
Feb. 17, 2020 (CN) 202030052985.9
(51) **LOC (13) Cl.** **25-03**
(52) **U.S. Cl.**
USPC **D25/22; D25/33**
(58) **Field of Classification Search**
USPC D25/1, 16, 17, 18, 22, 24, 25, 29, 30, 33
CPC B65G 1/06; B65G 63/002; B65G 63/004;
E04H 1/12
See application file for complete search history.

* cited by examiner

Primary Examiner — Richard Kearney

(56) **References Cited**
U.S. PATENT DOCUMENTS
D204,056 S * 3/1966 Bartley D25/16
D217,595 S * 5/1970 Cohen D25/16
D238,163 S * 12/1975 Enderling D25/33
D238,572 S * 1/1976 Wheeler D25/1

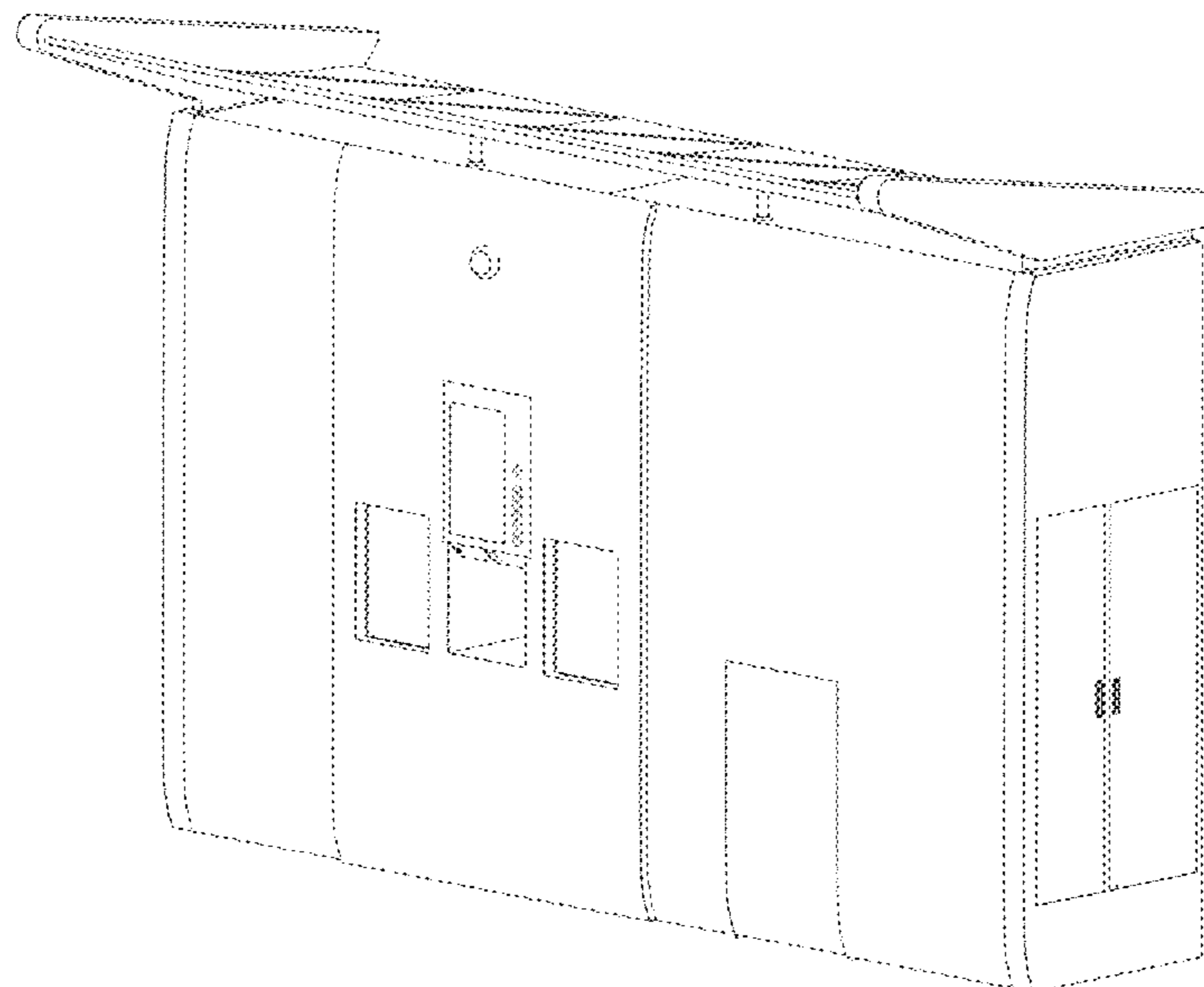
(57) **CLAIM**

The ornamental design for a distribution station, as shown and described.

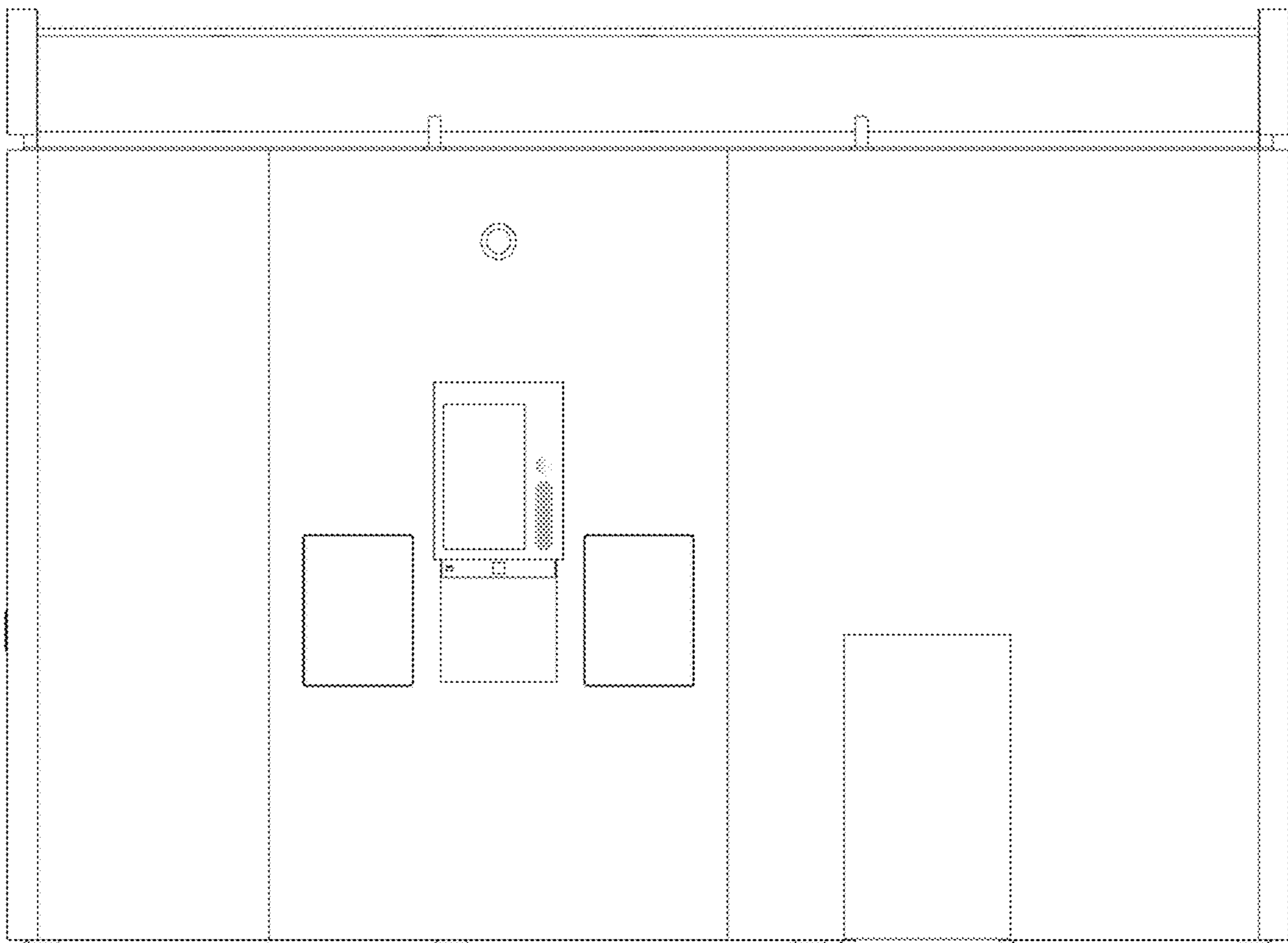
DESCRIPTION

- 1. Distribution station
- 1.1 : Front
- 1.2 : Back
- 1.3 : Left
- 1.4 : Right
- 1.5 : Top
- 1.6 : First perspective view
- 1.7 : Second perspective view

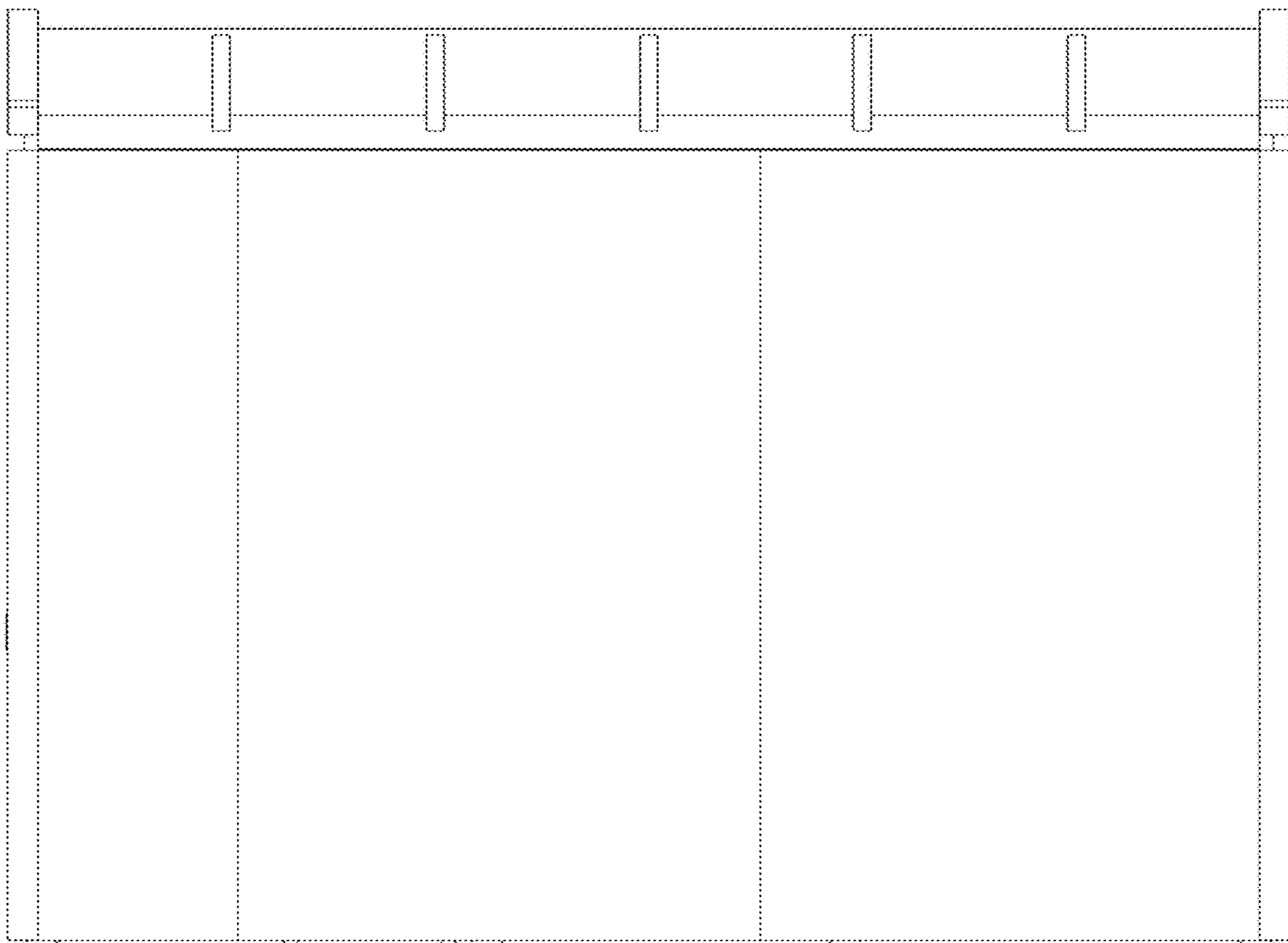
1 Claim, 7 Drawing Sheets



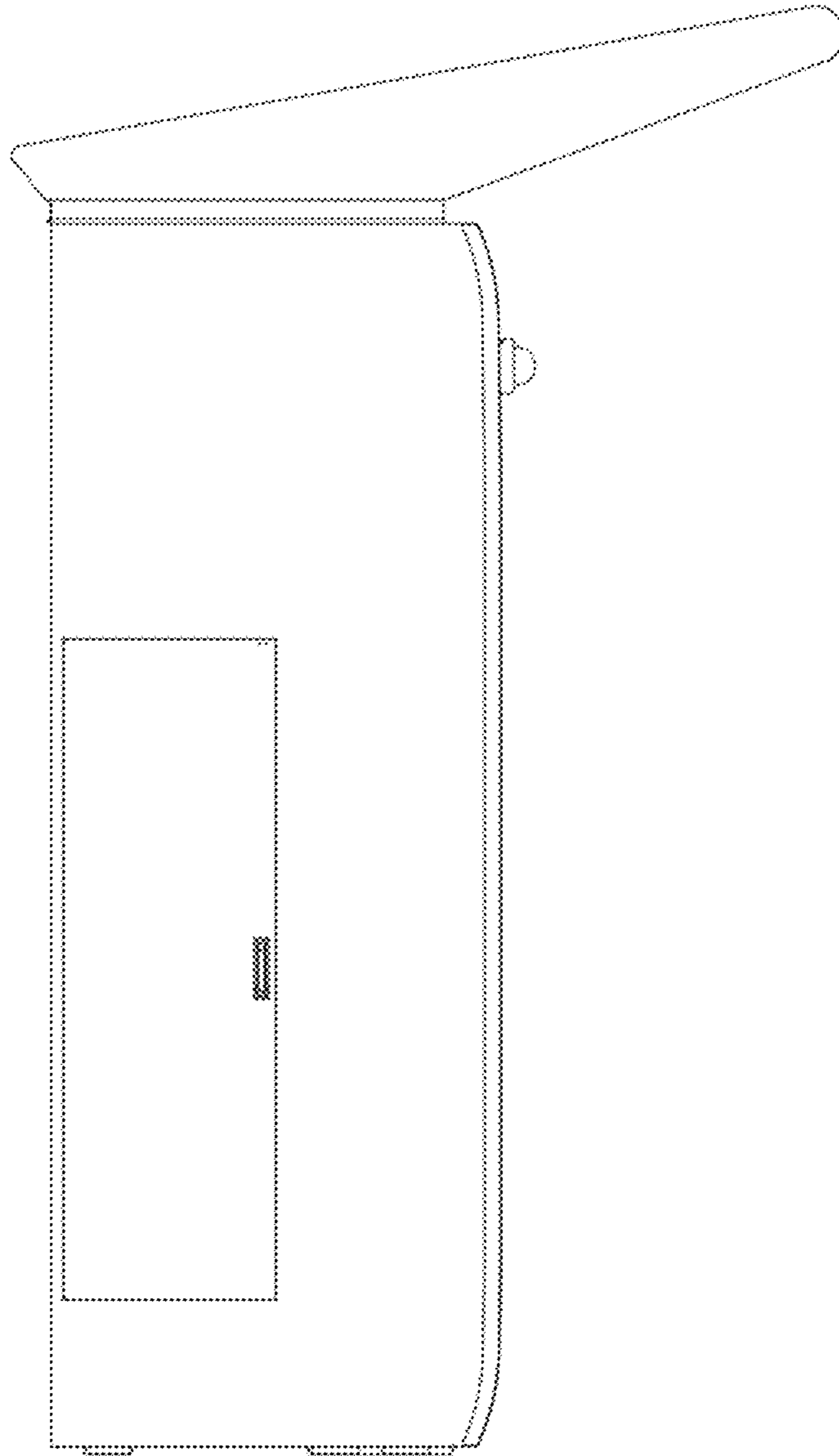
1.1

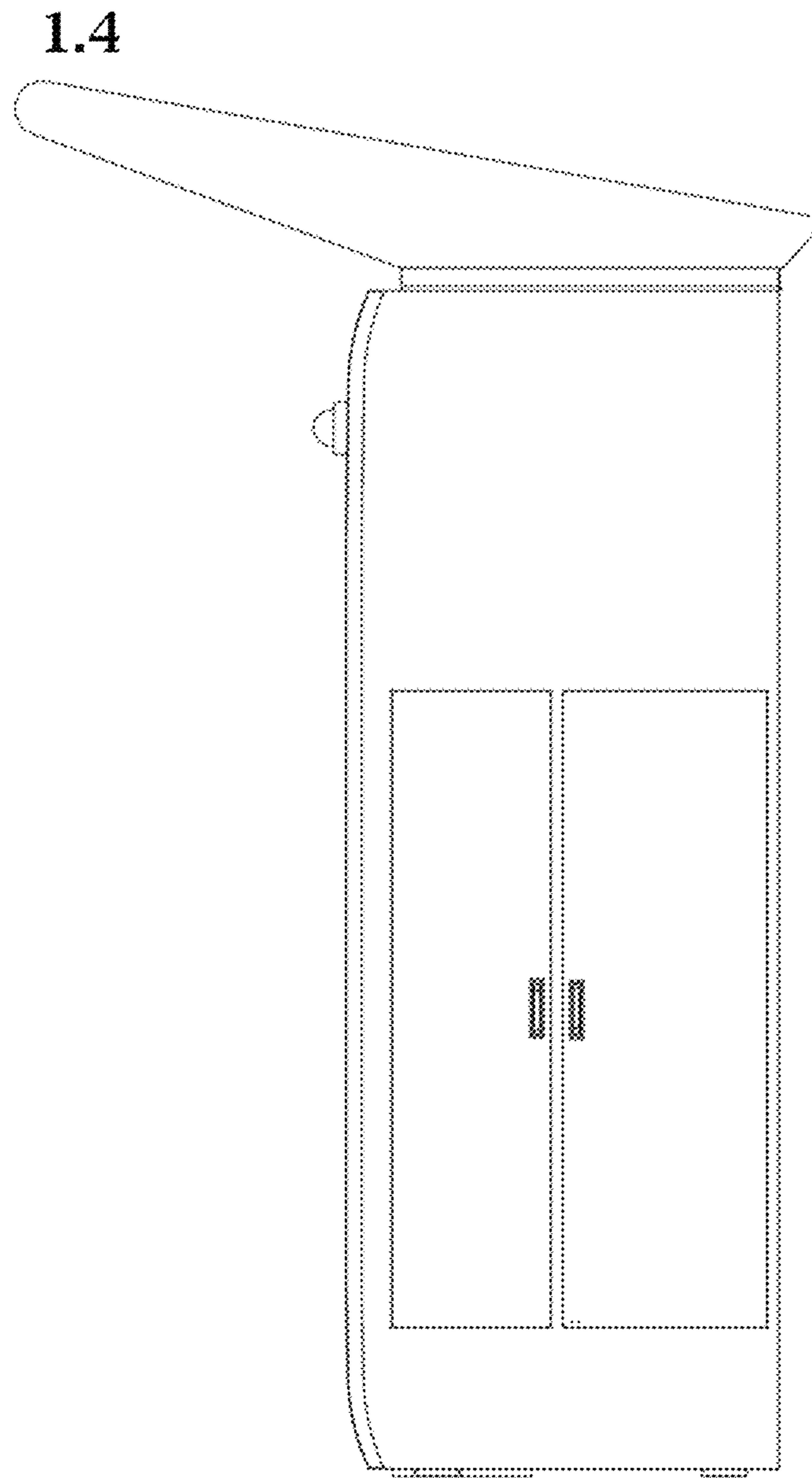


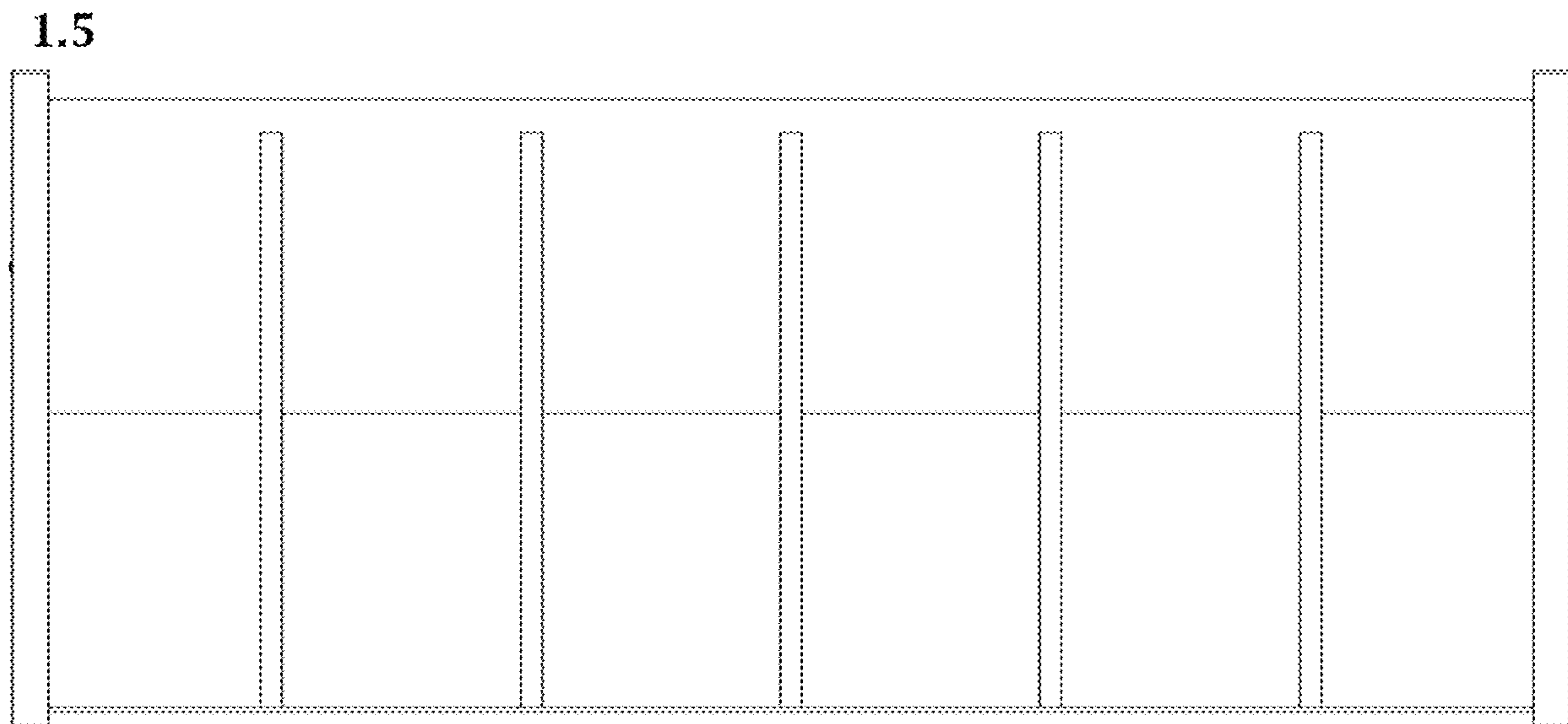
1.2



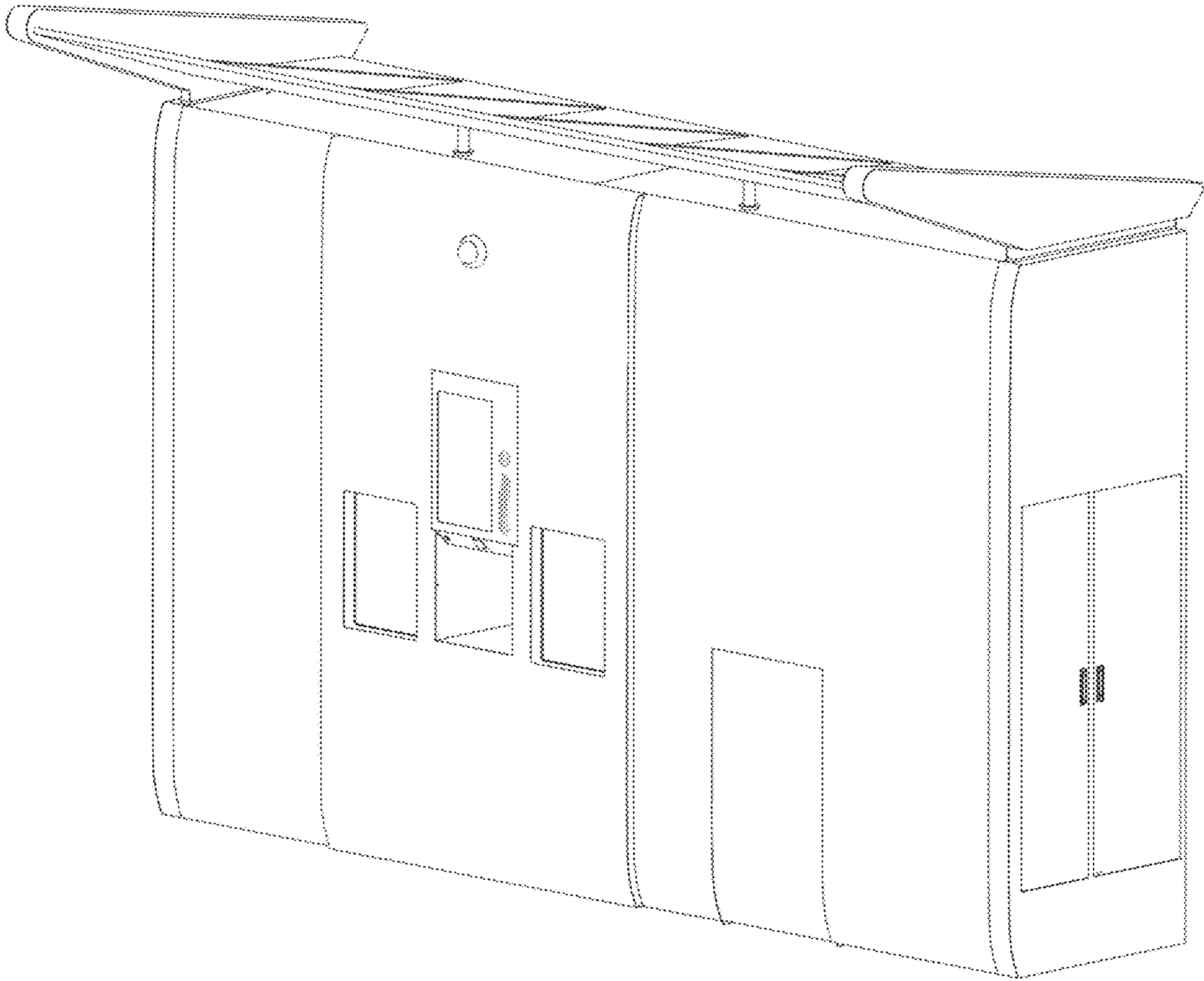
1.3







1.6



1.7

