



US00D948073S

(12) **United States Design Patent** (10) **Patent No.:** **US D948,073 S**
Oishi (45) **Date of Patent:** **** Apr. 5, 2022**

(54) **EXTRACTION CONTAINER ASSEMBLY FOR SPECIMEN DETECTION**

(71) Applicant: **Canon Medical Systems Corporation**,
Otagawa (JP)

(72) Inventor: **Koichiro Oishi**, Wako (JP)

(73) Assignee: **Canon Medical Systems Corporation**,
Otagawa (JP)

(**) Term: **15 Years**

(21) Appl. No.: **29/710,287**

(22) Filed: **Oct. 22, 2019**

(30) **Foreign Application Priority Data**

Apr. 22, 2019 (JP) 2019-008909

(51) **LOC (13) Cl.** **24-02**

(52) **U.S. Cl.**
USPC **D24/224; D24/216**

(58) **Field of Classification Search**
USPC D24/120–123, 112, 115, 108, 127, 130,
D24/172, 216, 224; D9/537, 690, 723,
D9/724

CPC A61F 9/00; A61F 9/0008; A61M 35/00;
A61M 35/003; A61M 1/00; A61M
1/0058; A61M 1/77; A61M 1/92; A61B
10/0045; A61B 10/0048; A61B 10/0051;
A61B 5/150343; A61B 5/150351; A61B
5/150732; A61B 5/150755

See application file for complete search history.

(56) **References Cited**

U.S. PATENT DOCUMENTS

D264,940 S * 6/1982 Stock D24/115
D311,249 S * 10/1990 Kasai D24/121
D631,169 S * 1/2011 Cheeley D24/224

D667,960 S * 9/2012 Wilkinson D24/224
D773,655 S * 12/2016 Hofstetter D24/127
D787,669 S * 5/2017 Huang D24/130
D816,831 S * 5/2018 Sacchetti D24/127
D901,696 S * 11/2020 Lei D24/186
D911,855 S * 3/2021 Aboabdo D9/724
D924,430 S * 7/2021 Johnson D24/224

(Continued)

FOREIGN PATENT DOCUMENTS

CN 306013714 * 8/2020
CN 306108130 * 10/2020

(Continued)

Primary Examiner — Lilyana Bekic

Assistant Examiner — Lee D. Starr

(74) *Attorney, Agent, or Firm* — Finnegan, Henderson,
Farabow, Garrett & Dunner, L.L.P.

(57) **CLAIM**

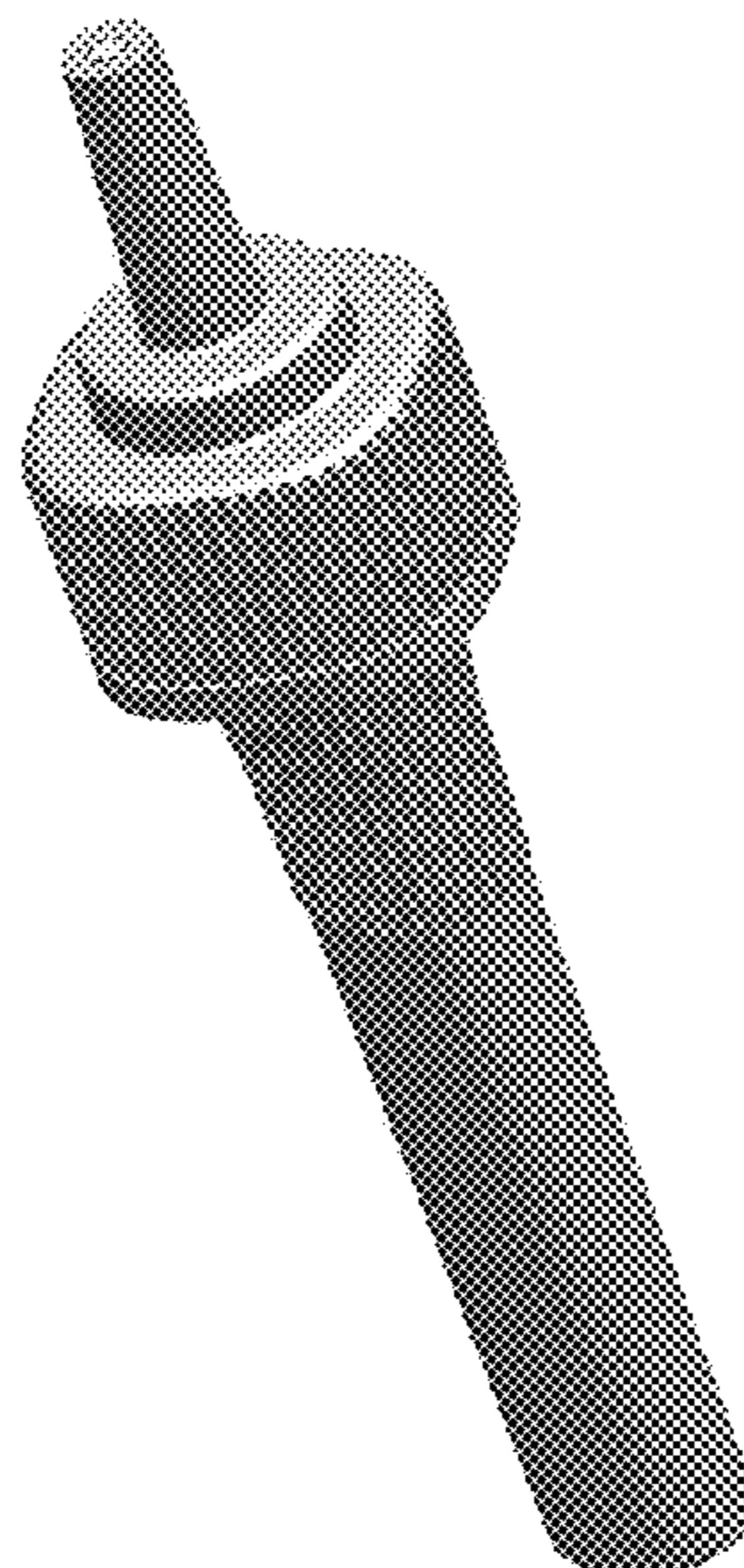
The ornamental design for an extraction container assembly
for specimen detection, as shown and described.

DESCRIPTION

FIG. 1 is a perspective view of an extraction container
assembly for specimen detection showing my new design;
FIG. 2 is a front elevational view thereof;
FIG. 3 is a rear elevational view thereof;
FIG. 4 is an enlarged top plan view thereof;
FIG. 5 is an enlarged bottom plan view thereof;
FIG. 6 is a left side elevational view thereof;
FIG. 7 is a right-side elevational view thereof; and,
FIG. 8 is an exploded perspective view thereof, where the
nozzle is shown separate from the remainder of the extrac-
tion container assembly for specimen detection.

The masked areas adjacent to the broken lines in FIGS. 1, 4,
and 8 form no part of the claimed design. The broken lines
define the bounds of the claimed design and form no part
thereof.

1 Claim, 8 Drawing Sheets



(56)

References Cited

U.S. PATENT DOCUMENTS

2005/0106753 A1* 5/2005 Wu B01L 3/5029
436/180
2013/0092690 A1* 4/2013 Skakoon A61B 10/0045
220/277
2014/0243706 A1* 8/2014 El-Fahmawi A61B 10/02
600/572
2018/0125464 A1* 5/2018 Kolb A61B 10/0045
2019/0151842 A1* 5/2019 Williams B01L 3/502738
2020/0156056 A1* 5/2020 Williams B01L 3/50825
2020/0397418 A1* 12/2020 Williams B01L 3/50825

FOREIGN PATENT DOCUMENTS

JP D1272400 * 4/2006
JP 1529268 7/2015

* cited by examiner

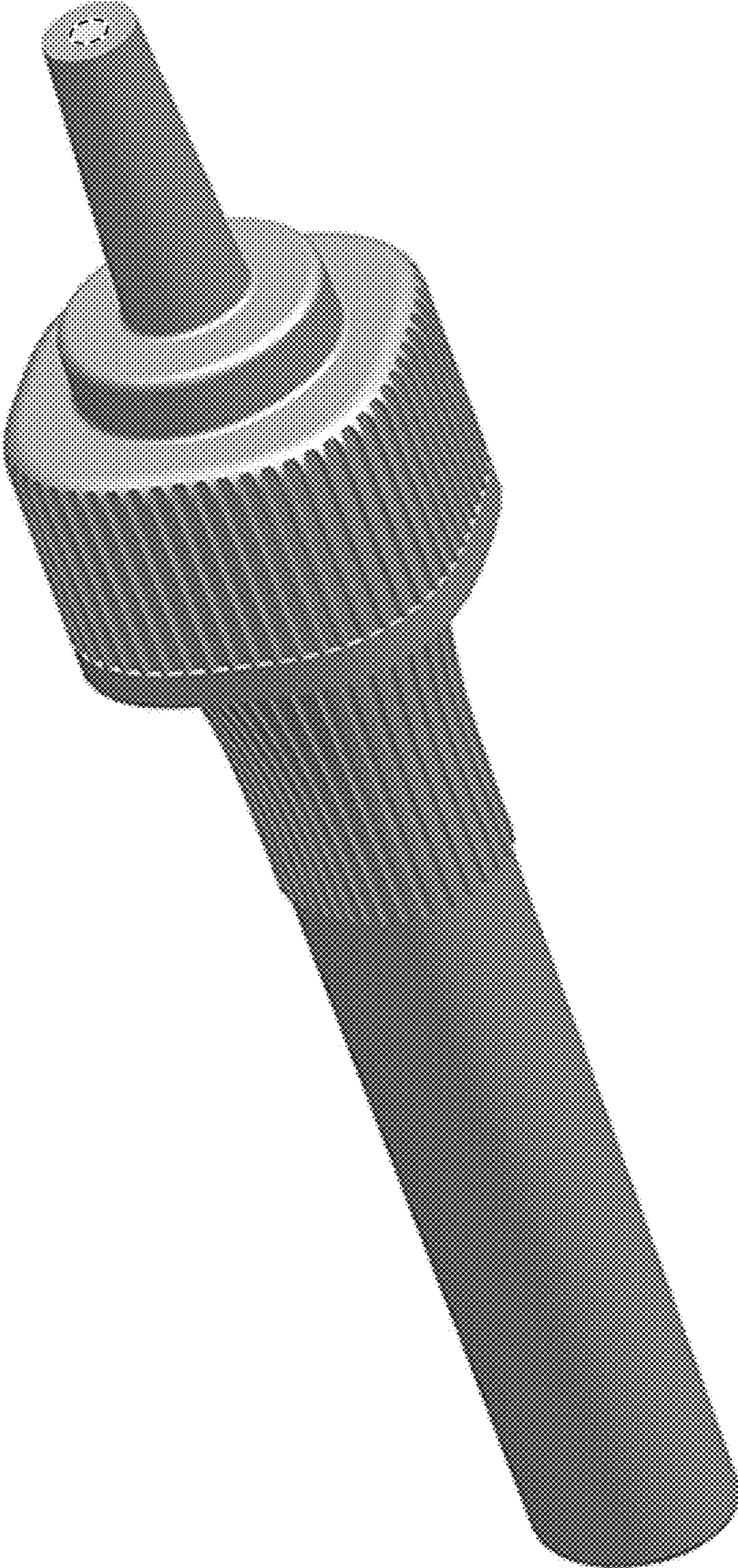


FIG. 1

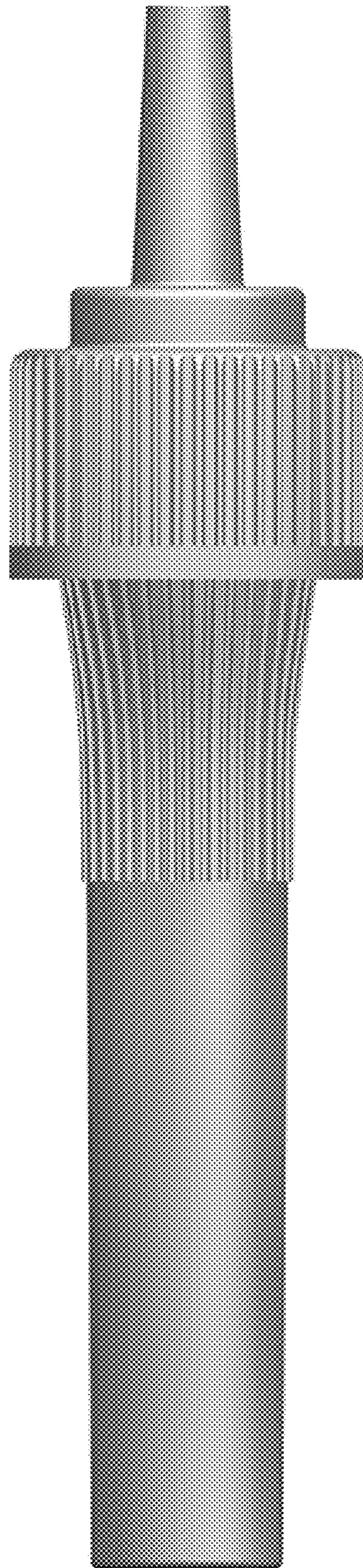


FIG. 2

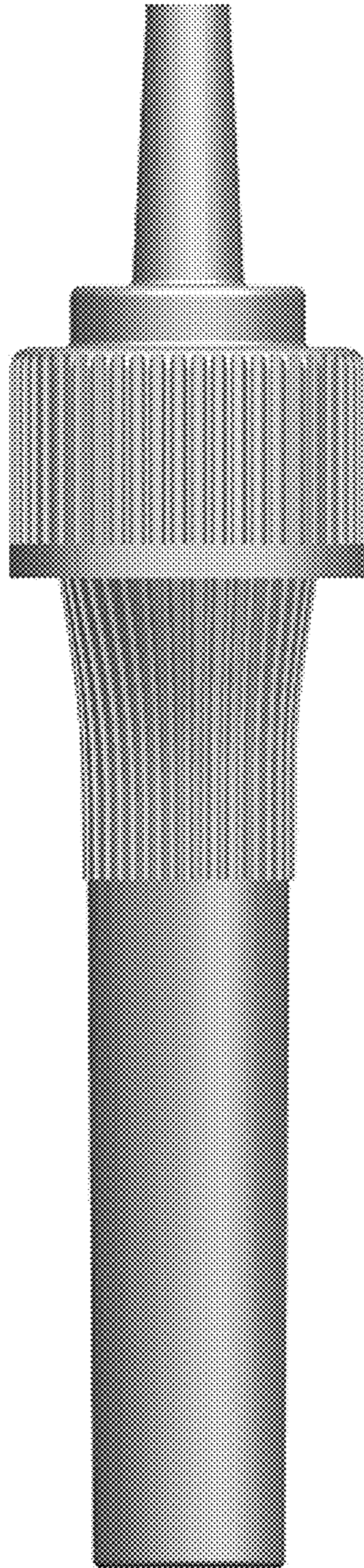


FIG. 3

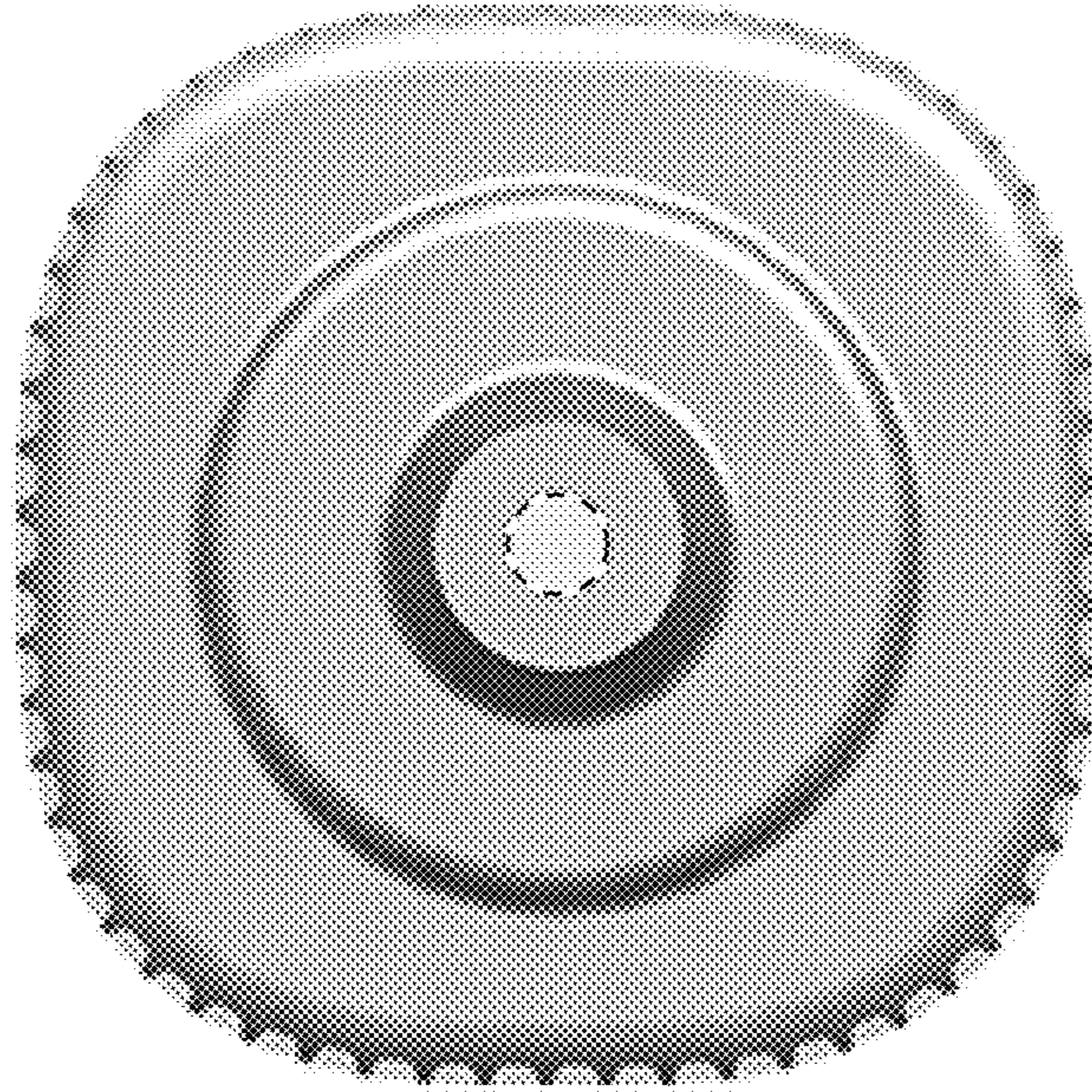


FIG. 4

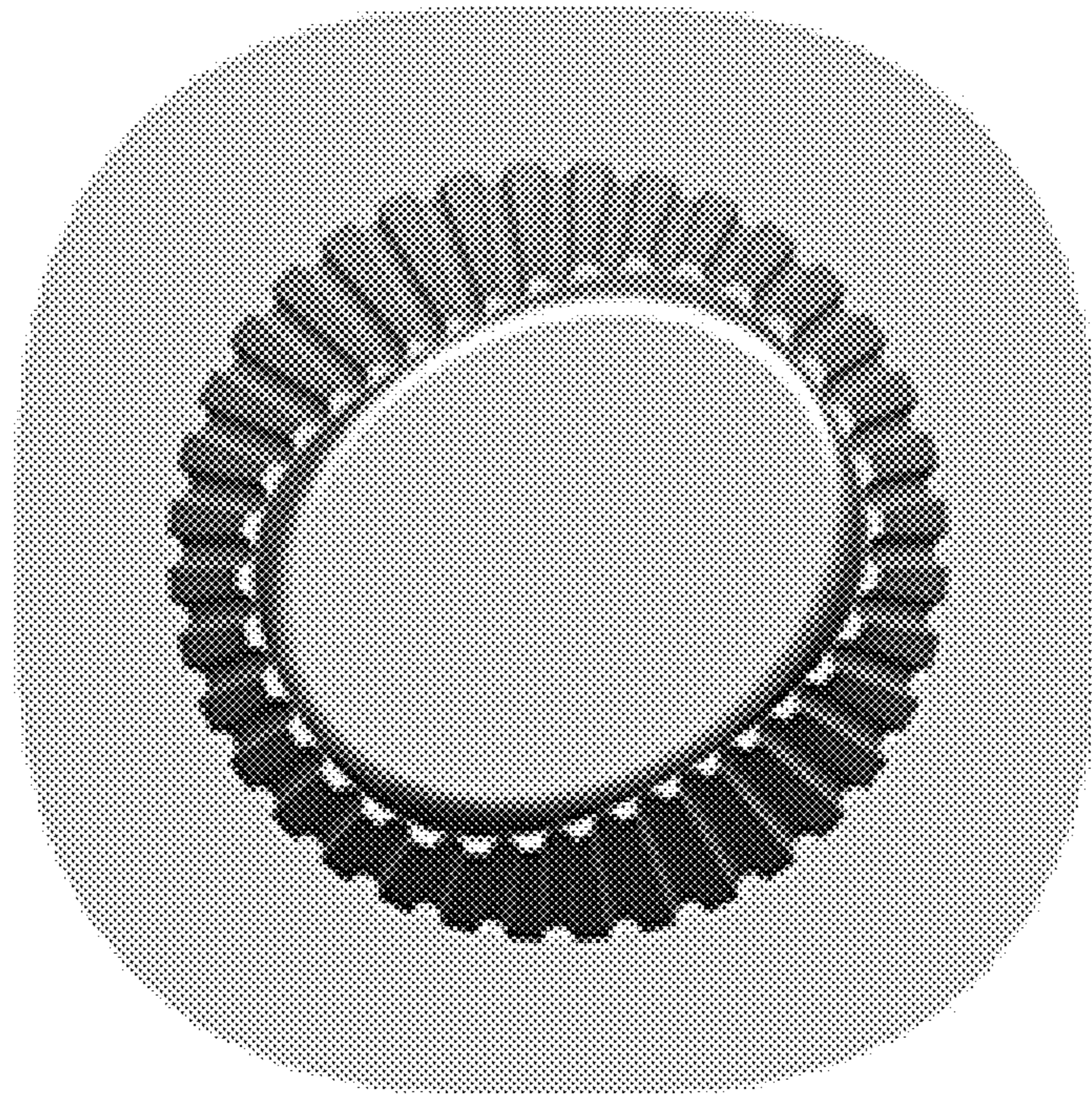


FIG. 5

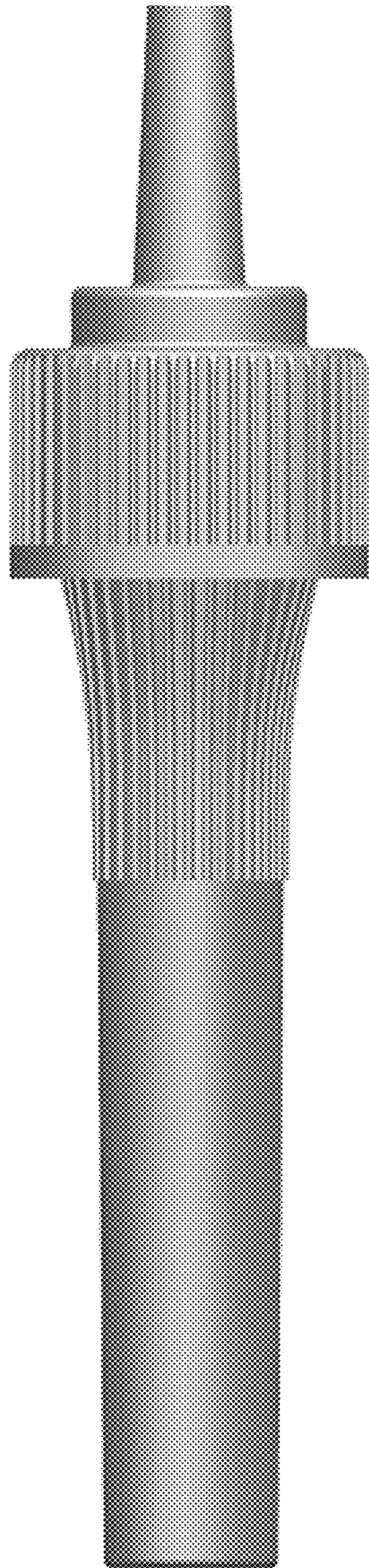


FIG. 6

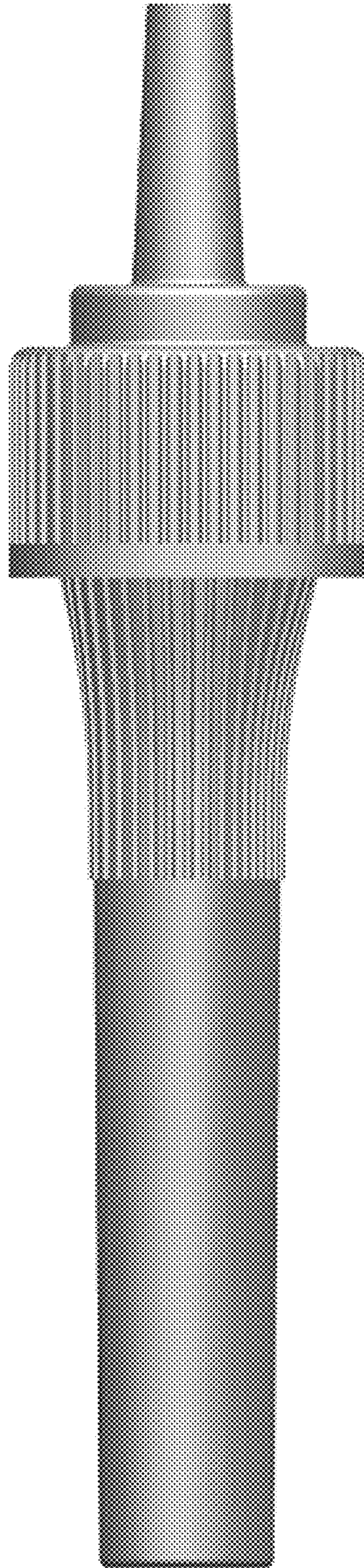


FIG. 7

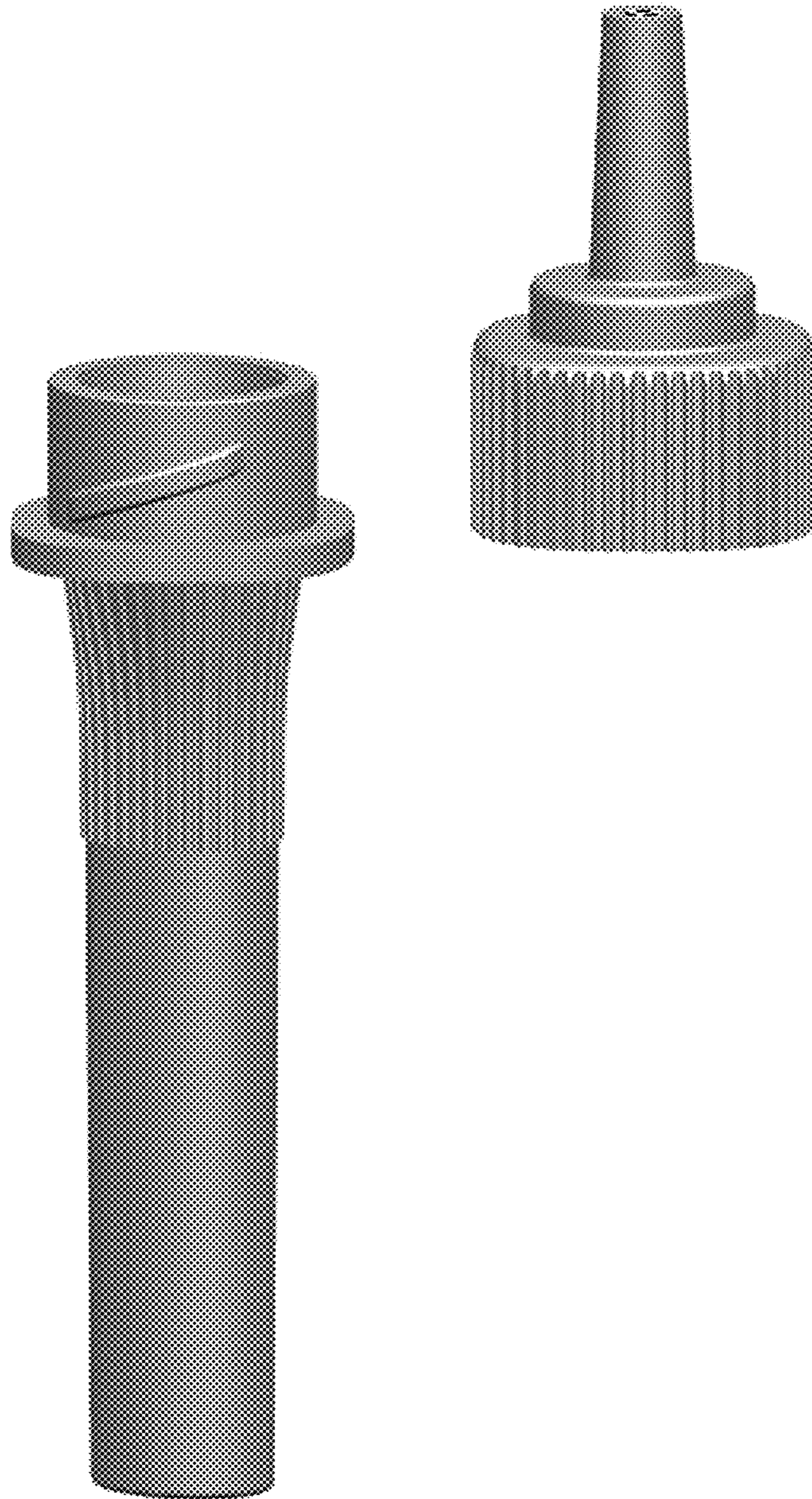


FIG. 8