



US00D948072S

(12) **United States Design Patent**  
**Shapiro et al.**

(10) **Patent No.:** **US D948,072 S**

(45) **Date of Patent:** **\*\* Apr. 5, 2022**

(54) **SHAKER**

D629,822 S 12/2010 Torre  
D705,683 S 5/2014 Lauer  
D707,843 S 6/2014 Meziere

(Continued)

(71) Applicant: **Thermo Fisher Scientific (Asheville) LLC, Asheville, NC (US)**

(72) Inventors: **Victor Shapiro, Oceanside, CA (US); John M. Staton, Waltham, MA (US); Sebastian Henne, Goettingen (DE)**

(73) Assignee: **Thermo Fisher Scientific (Asheville) LLC, Asheville, NC (US)**

(\*\*) Term: **15 Years**

(21) Appl. No.: **29/812,207**

(22) Filed: **Oct. 20, 2021**

**Related U.S. Application Data**

(62) Division of application No. 29/679,825, filed on Feb. 11, 2019, now Pat. No. Des. 936,238.

(51) **LOC (13) Cl.** ..... **24-02**

(52) **U.S. Cl.**  
USPC ..... **D24/220; D15/147**

(58) **Field of Classification Search**  
USPC ..... D15/147; D24/163, 216, 219, 220, 231, D24/232, 217; D10/81, 87, 88, 91, 92  
CPC ..... B01F 2025/911; B01F 35/2202; B01F 35/20; B01F 35/2214; B01F 13/04; B01F 15/00175; B01F 23/021; B01L 7/00  
See application file for complete search history.

(56) **References Cited**

**U.S. PATENT DOCUMENTS**

D244,711 S	6/1977	Armbruster
D288,600 S	3/1987	Vander Hout et al.
4,872,119 A	10/1989	Kajimoto
5,052,812 A	10/1991	Tannenbaum et al.
D375,351 S	11/1996	Conforti
5,593,228 A	1/1997	Tannenbaum
6,299,344 B1	10/2001	Tannenbaum

**OTHER PUBLICATIONS**

Thermo Fisher Scientific, "A New Standard for Reliability and Technical Innovation", (printed Jul. 2019), Thermofisher.com, URL:<<https://www.thermofisher.com/order/catalog/product/SK4000?SID=srch-srp-SK4000#/SK4000?SID=srch-srp-SK4000>> (Year: 2019).

(Continued)

*Primary Examiner* — Calvin E Vansant

*Assistant Examiner* — Mark T. Philipps

(74) *Attorney, Agent, or Firm* — Wood Herron & Evans LLP

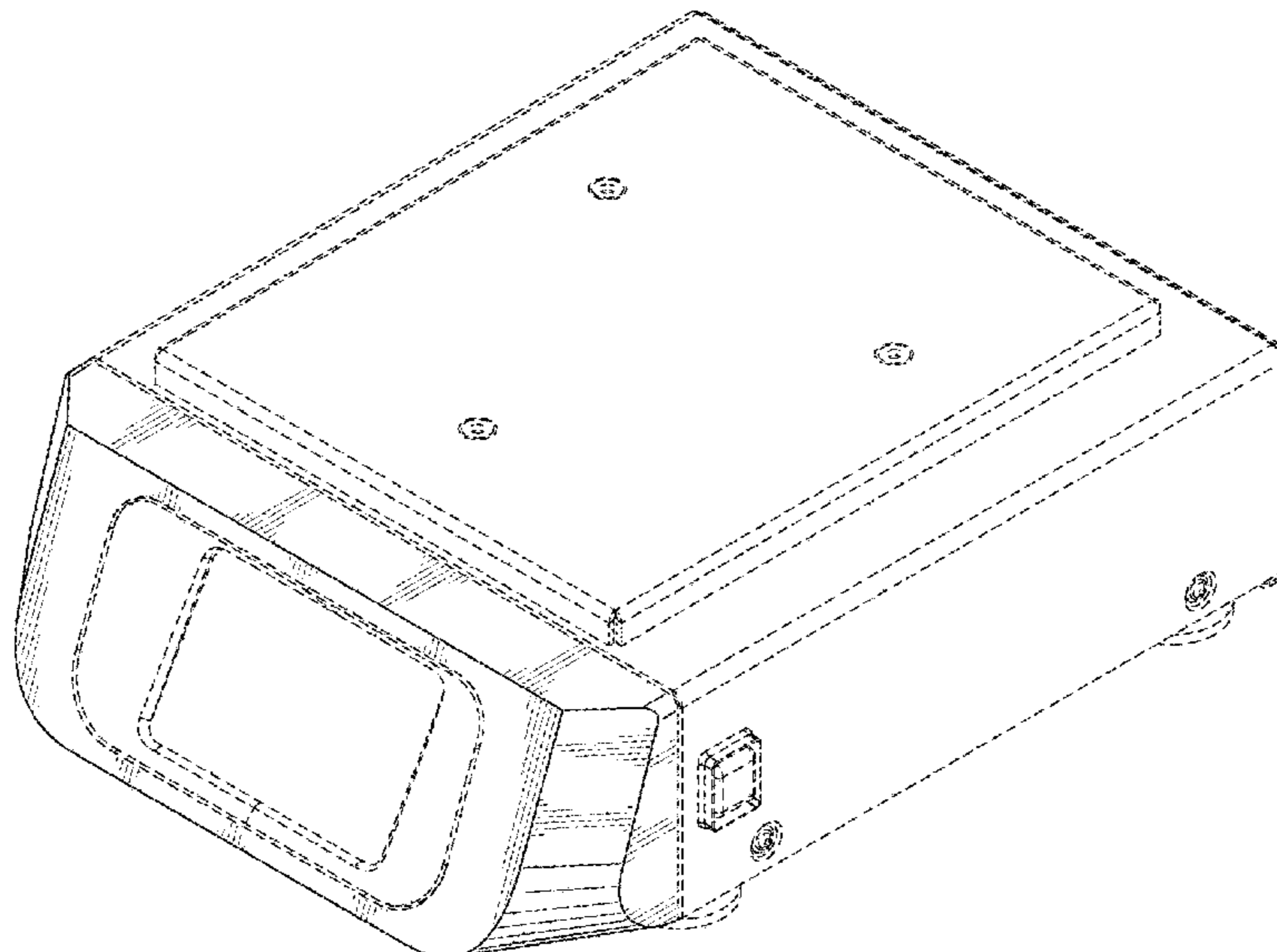
(57) **CLAIM**

The ornamental design for a shaker, as shown and described.

**DESCRIPTION**

FIG. 1 is an isometric view of a shaker according to one embodiment of the present invention; FIG. 2 is a front elevation view thereof; FIG. 3 is a right side elevation view thereof; FIG. 4 is a left side elevation view thereof; FIG. 5 is a top plan view thereof; and FIG. 6 is a bottom plan view thereof. FIG. 7 is an isometric view of a shaker according to a second embodiment of the present invention; FIG. 8 is a front elevation view thereof; FIG. 9 is a right side elevation view thereof; FIG. 10 is a left side elevation view thereof; FIG. 11 is a top plan view thereof; and, FIG. 12 is a bottom plan view thereof. The broken lines in the drawings depict portions of the shaker that form no part of the claim.

**1 Claim, 12 Drawing Sheets**



(56)

**References Cited**

U.S. PATENT DOCUMENTS

D818,146	S	5/2018	Tanaka	
D852,976	S	7/2019	Newberg et al.	
D892,348	S	8/2020	Matsuyama et al.	
D906,381	S *	12/2020	Jeffery .....	D15/122
D914,906	S	3/2021	Klein et al.	
D926,061	S *	7/2021	Jiang .....	D24/220
D933,848	S *	10/2021	Shapiro .....	D15/147
D936,238	S *	11/2021	Shapiro .....	D15/147
D942,646	S *	2/2022	Mathers .....	D24/232
2008/0056059	A1 *	3/2008	Manera .....	B01F 31/201 366/110
2012/0125697	A1	5/2012	Lauer	
2012/0237416	A1	9/2012	Lockwood et al.	
2017/0340760	A1	11/2017	Starkweather et al.	
2020/0240829	A1	7/2020	Zhang et al.	
2021/0094006	A1	4/2021	Manera et al.	

OTHER PUBLICATIONS

Boeing Instruments, BS-2 Open Air Shaker, (site visited Jul. 12, 2021), Lab Equipment Procurement Power, URL: <[https:// lab.equipment/bs-2-open-air-shaker-from-being-instruments](https://lab.equipment/bs-2-open-air-shaker-from-being-instruments)> (Year: 2021).

\* cited by examiner

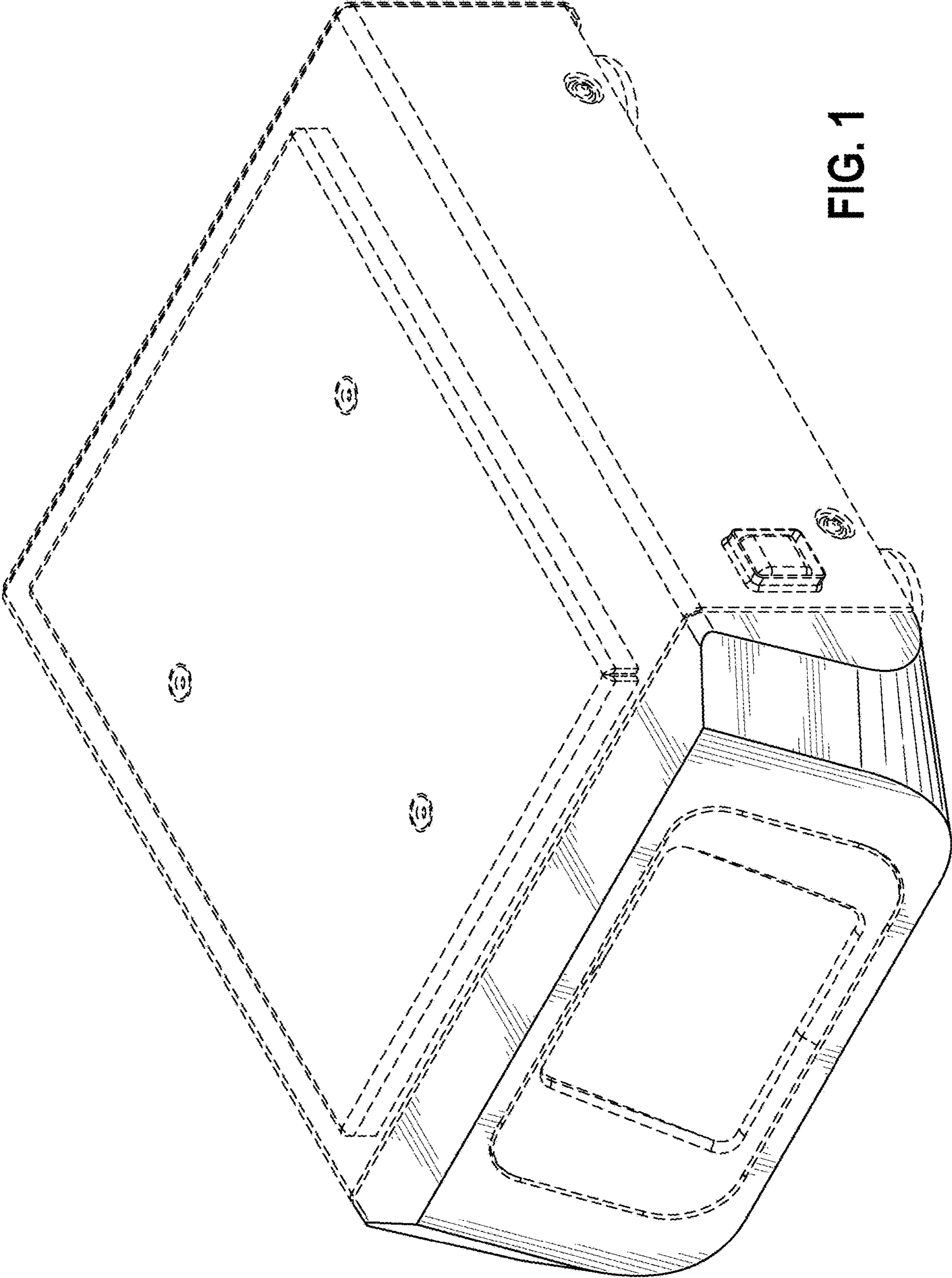


FIG. 1

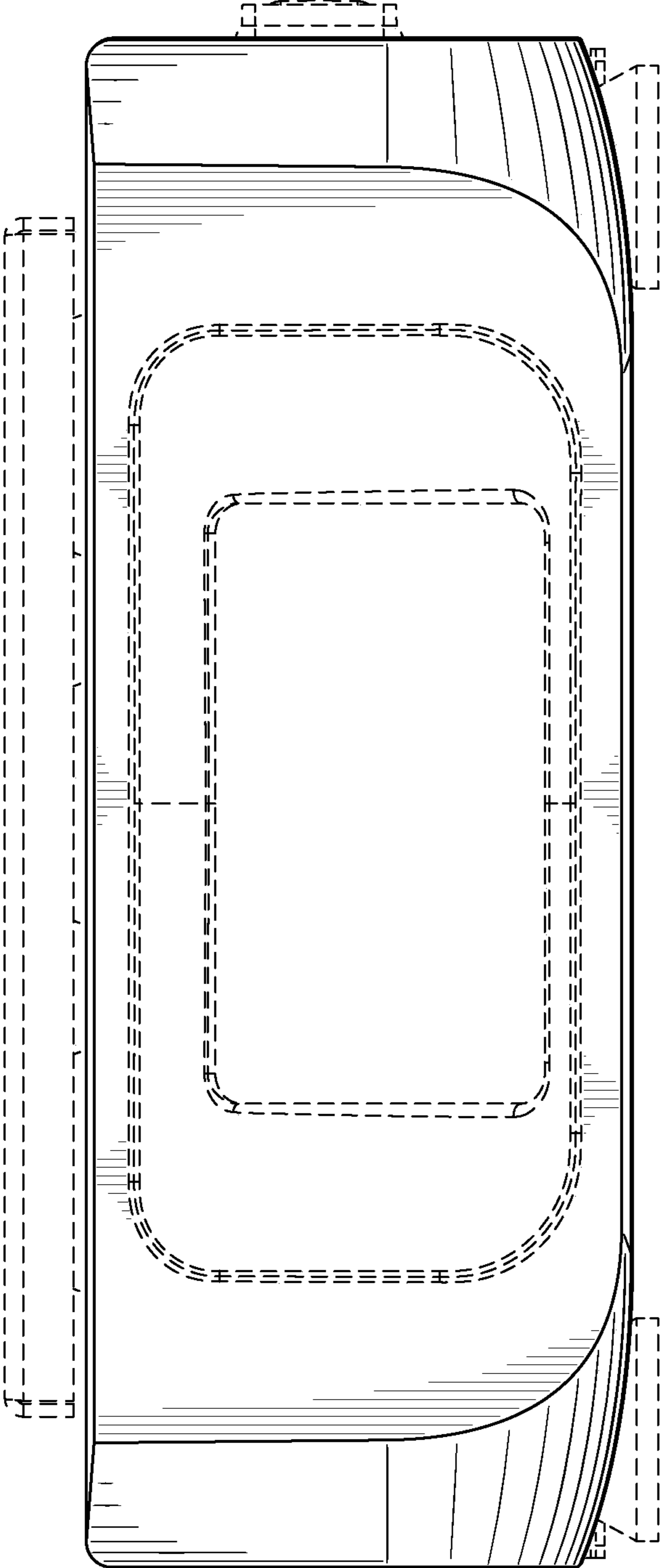


FIG. 2

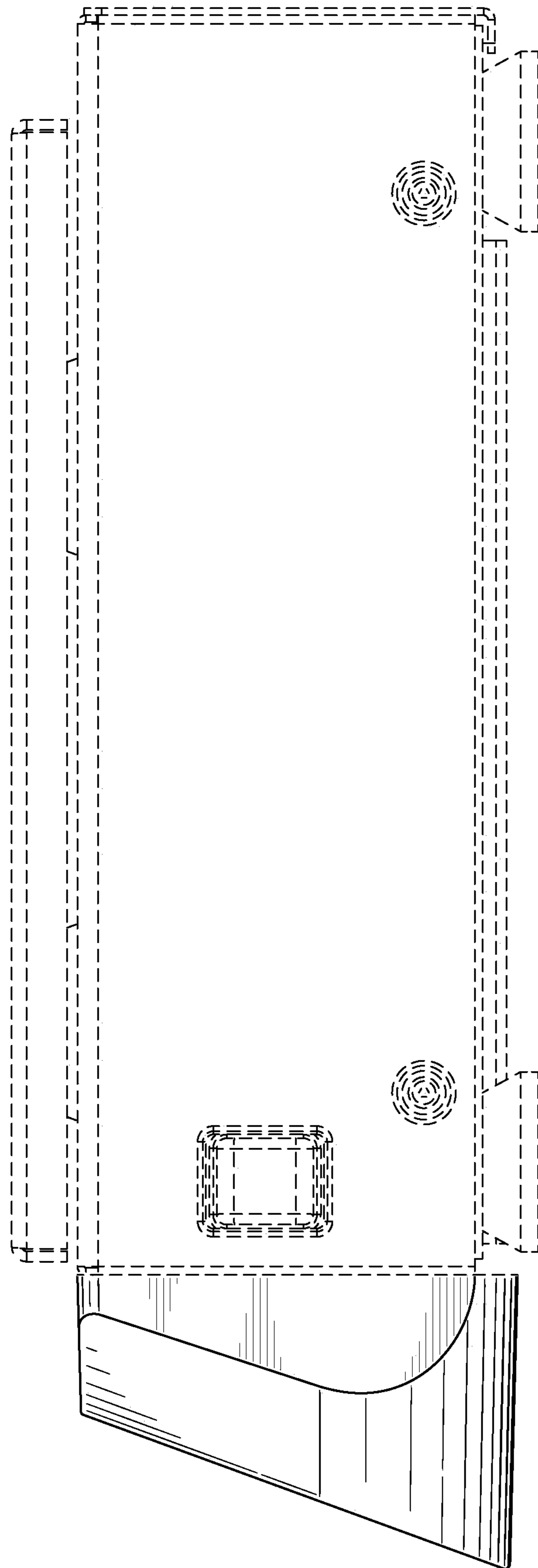


FIG. 3

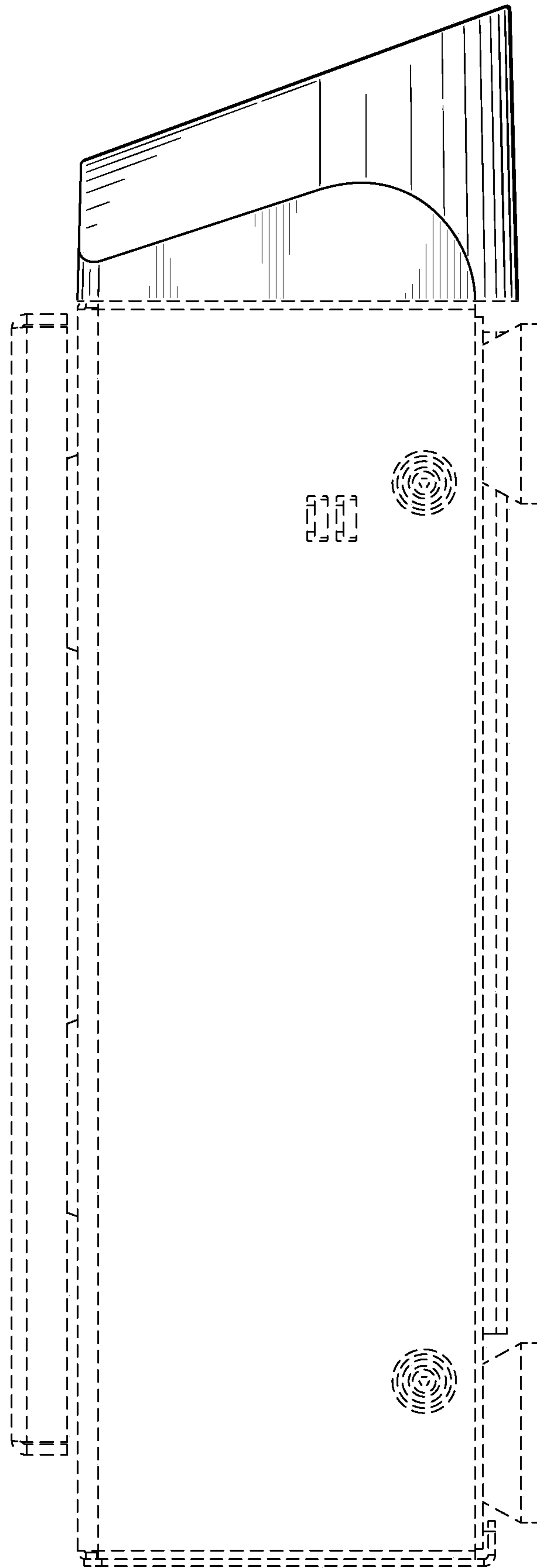


FIG. 4

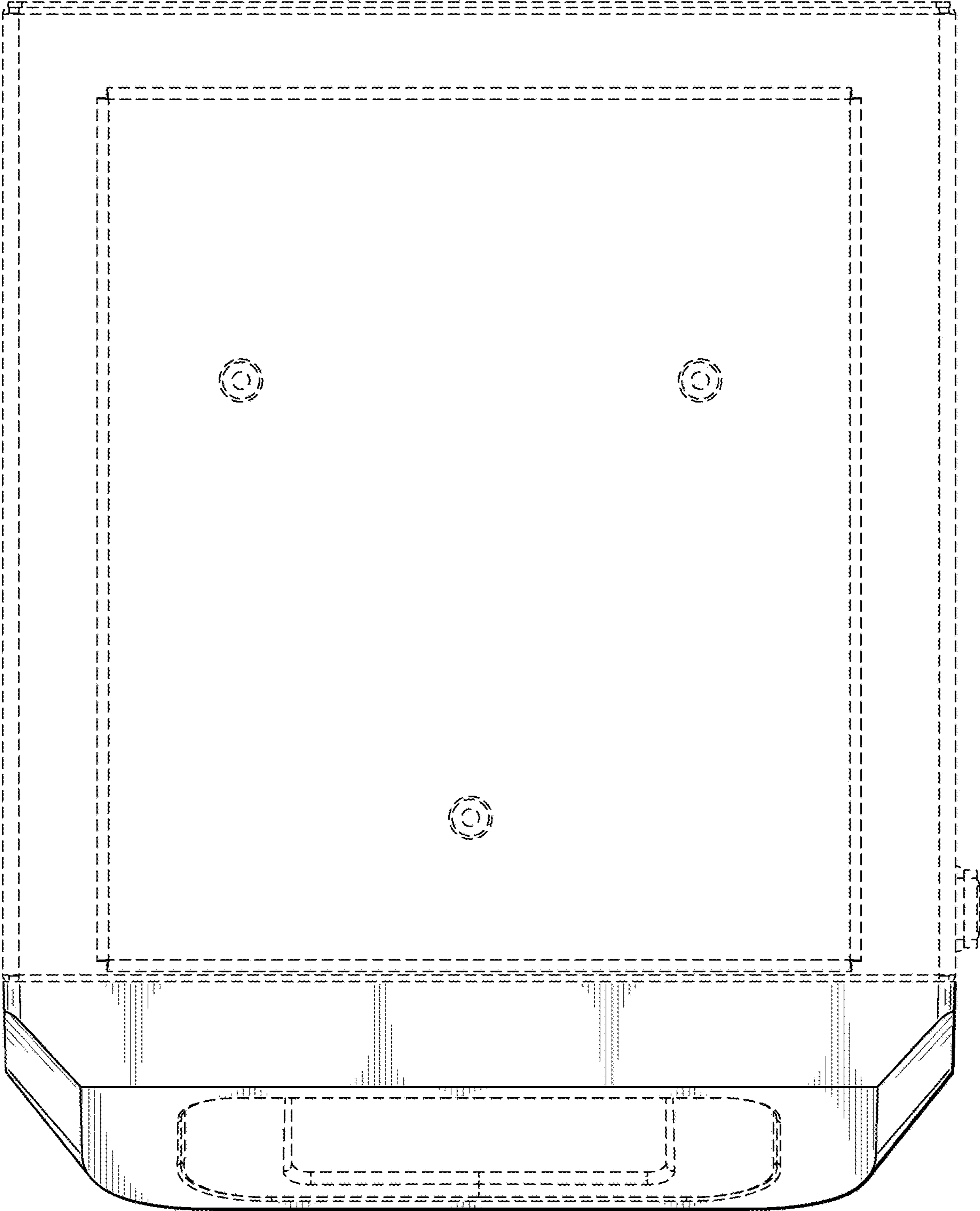


FIG. 5

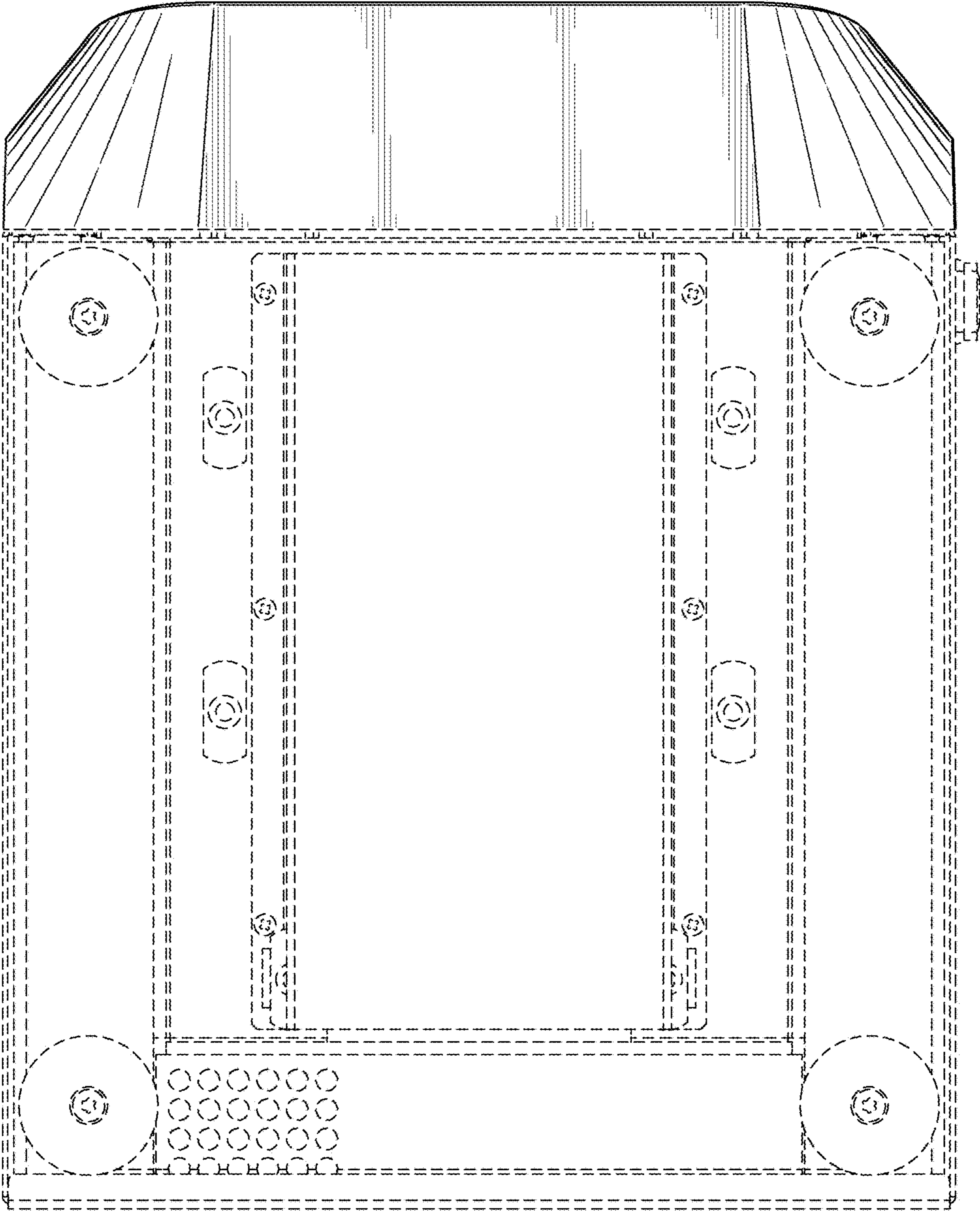
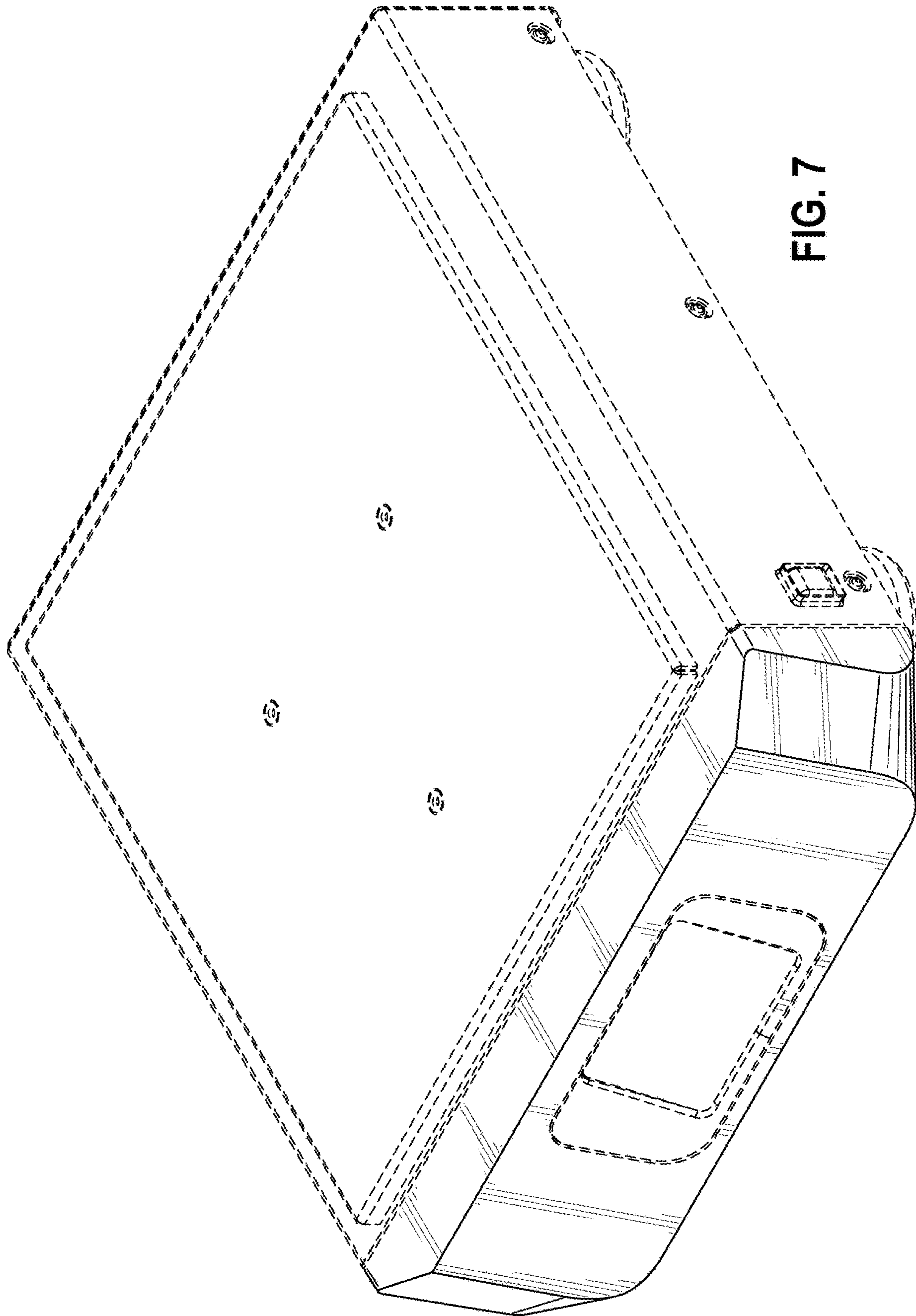


FIG. 6





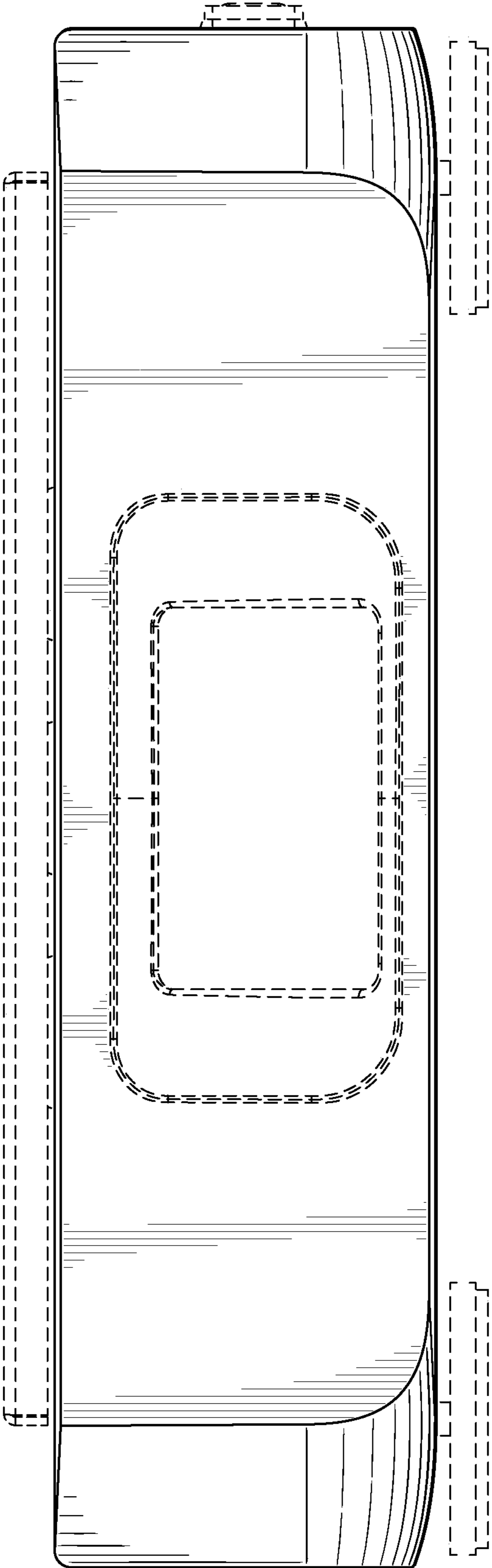


FIG. 8

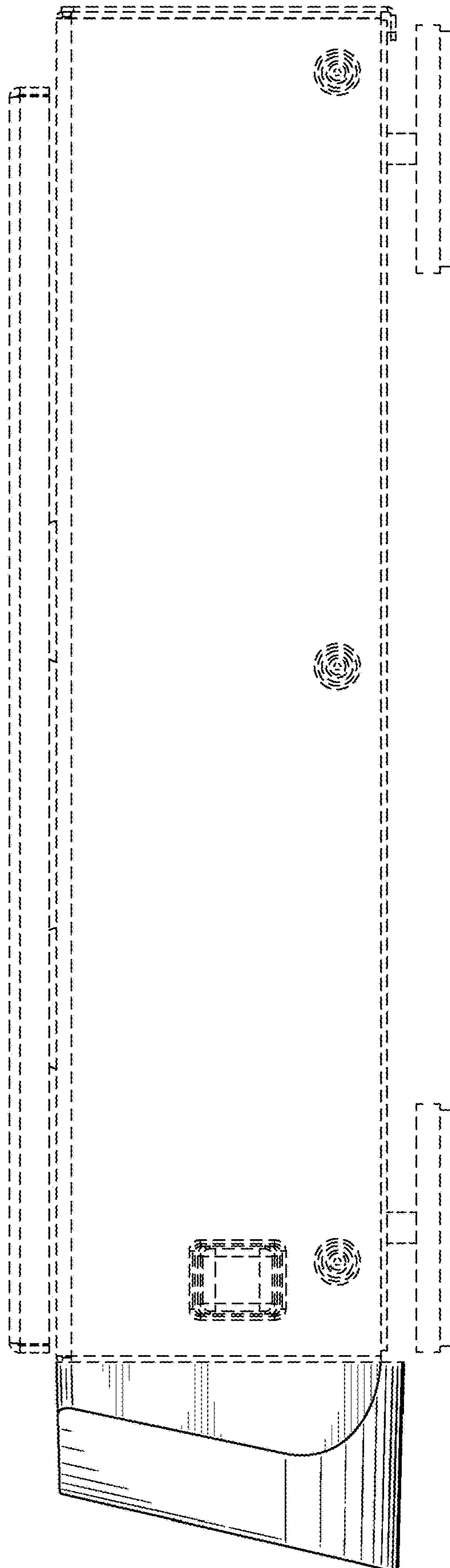


FIG. 9

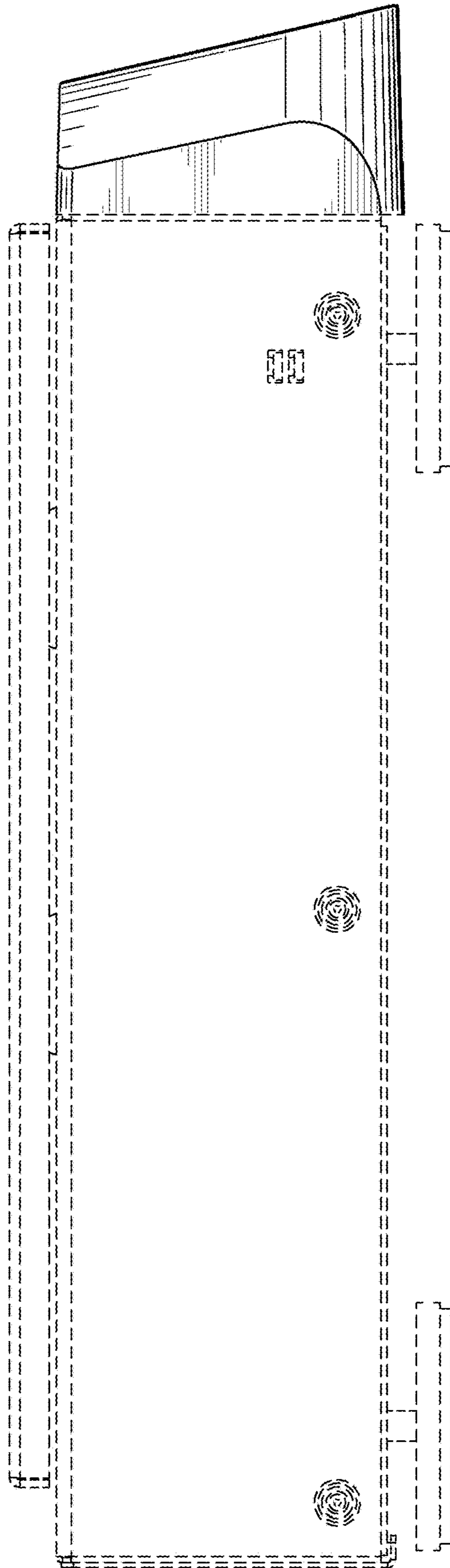


FIG. 10

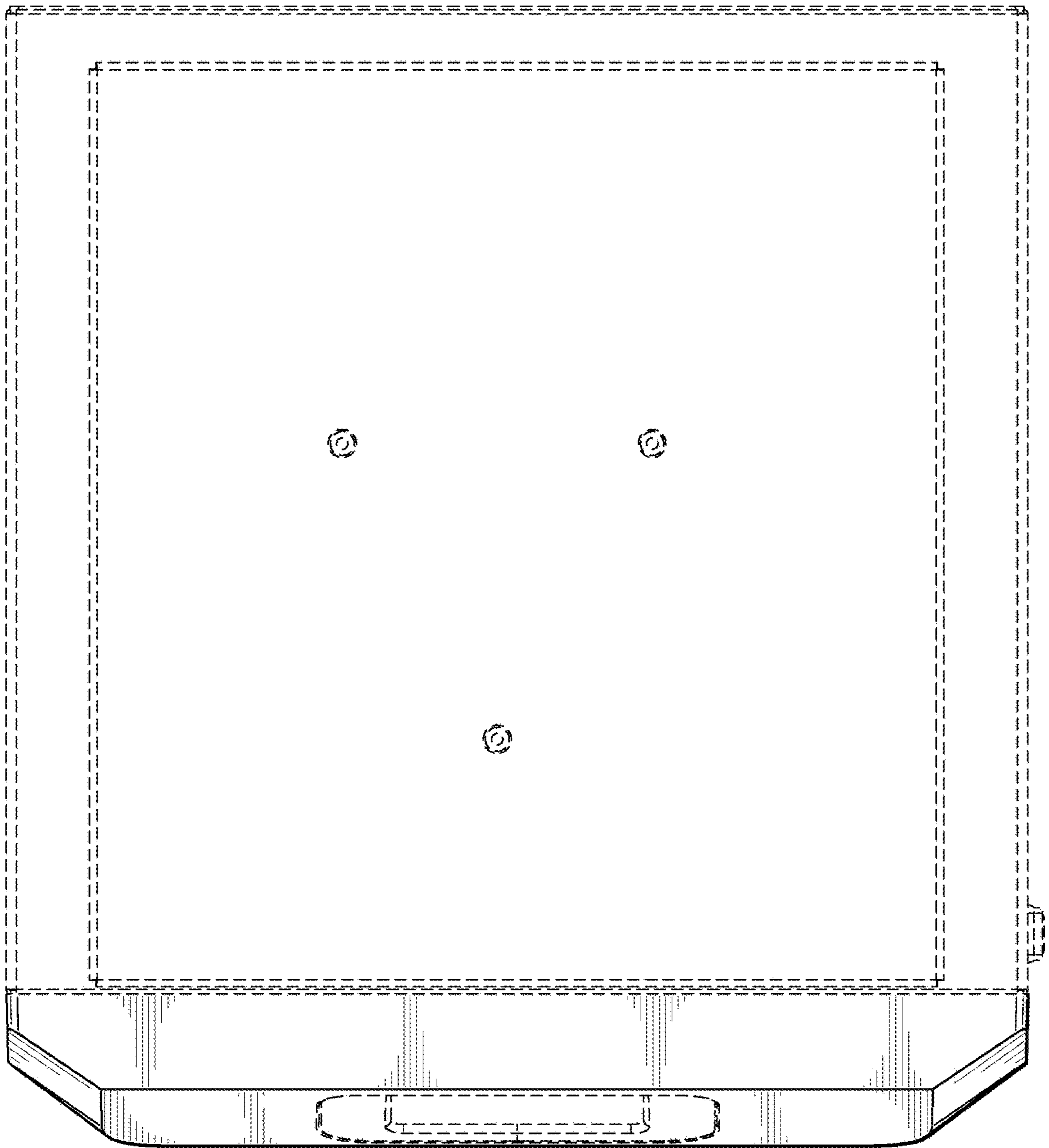


FIG. 11

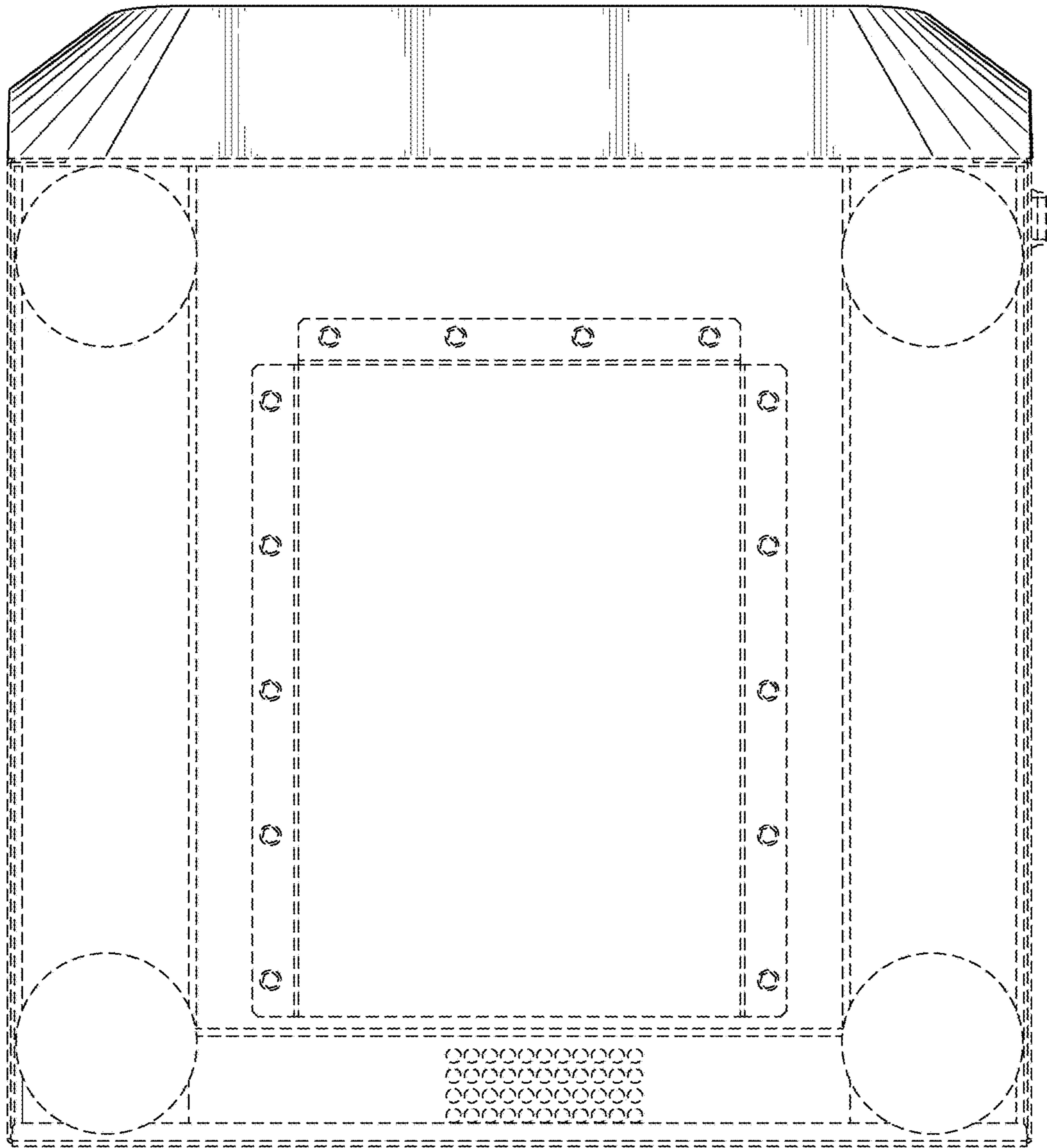


FIG. 12