



US00D948068S

(12) **United States Design Patent** (10) **Patent No.:** **US D948,068 S**  
**Xu** (45) **Date of Patent:** **\*\* Apr. 5, 2022**

(54) **MESSAGE GUN**  
(71) Applicant: **Ting Qiang Xu, Jinhua (CN)**  
(72) Inventor: **Ting Qiang Xu, Jinhua (CN)**  
(\*\*) Term: **15 Years**  
(21) Appl. No.: **29/714,289**  
(22) Filed: **Nov. 22, 2019**  
(51) **LOC (13) Cl.** ..... **28-03**  
(52) **U.S. Cl.**  
USPC ..... **D24/215**  
(58) **Field of Classification Search**  
USPC ..... D24/200, 211, 212, 213, 214, 215;  
D8/14.1; D28/13  
CPC . A61H 2201/1635; A61H 23/006; A61H 1/00  
See application file for complete search history.

D905,863 S \* 12/2020 Lin ..... D24/215  
D906,533 S \* 12/2020 Xu ..... D24/215  
D907,229 S \* 1/2021 Zhang ..... D24/215  
D907,230 S \* 1/2021 Zhang ..... D24/215  
D908,908 S \* 1/2021 Xu ..... D24/215  
D910,194 S \* 2/2021 Radtke ..... D24/215  
D911,535 S \* 2/2021 Yu ..... D24/200  
D912,267 S \* 3/2021 Tang ..... D24/215  
D913,516 S \* 3/2021 Zhang ..... D24/215  
D913,517 S \* 3/2021 Yu ..... D24/215  
D916,307 S \* 4/2021 Xiong ..... D24/215  
D917,060 S \* 4/2021 Hu ..... D24/215  
2016/0338899 A1 \* 11/2016 Howson ..... A61H 7/001  
2019/0254921 A1 \* 8/2019 Marton ..... A61H 23/006  
2020/0085675 A1 \* 3/2020 Lee ..... A61H 1/00  
2020/0390644 A1 \* 12/2020 Yang ..... G16H 20/30  
2021/0113427 A1 \* 4/2021 Liu ..... A61H 23/0254

\* cited by examiner

*Primary Examiner* — Cynthia Ramirez  
*Assistant Examiner* — Michael A Maharajh

(56) **References Cited**

U.S. PATENT DOCUMENTS

D616,558 S \* 5/2010 Tsai ..... D24/200  
D847,364 S \* 4/2019 Lee ..... D24/215  
10,314,762 B1 \* 6/2019 Marton ..... A61H 23/006  
D855,822 S \* 8/2019 Marton ..... D24/215  
D863,571 S \* 10/2019 Yang ..... D24/200  
D866,790 S \* 11/2019 Lee ..... D24/215  
D873,432 S \* 1/2020 Duan ..... D24/214  
D874,015 S \* 1/2020 Marton ..... D24/215  
D875,961 S \* 2/2020 Li ..... D24/211  
D884,205 S \* 5/2020 Zhuang ..... D24/215  
D884,207 S \* 5/2020 Ma ..... D24/215  
D886,317 S \* 6/2020 Marton ..... D24/215  
D895,132 S \* 9/2020 Hu ..... D24/215  
D895,133 S \* 9/2020 Xu ..... D24/215  
D895,135 S \* 9/2020 Xu ..... D24/215  
D895,829 S \* 9/2020 Hu ..... D24/215  
D895,831 S \* 9/2020 Chen ..... D24/215  
D898,209 S \* 10/2020 Xu ..... D24/214  
D899,620 S \* 10/2020 Huang ..... D24/215

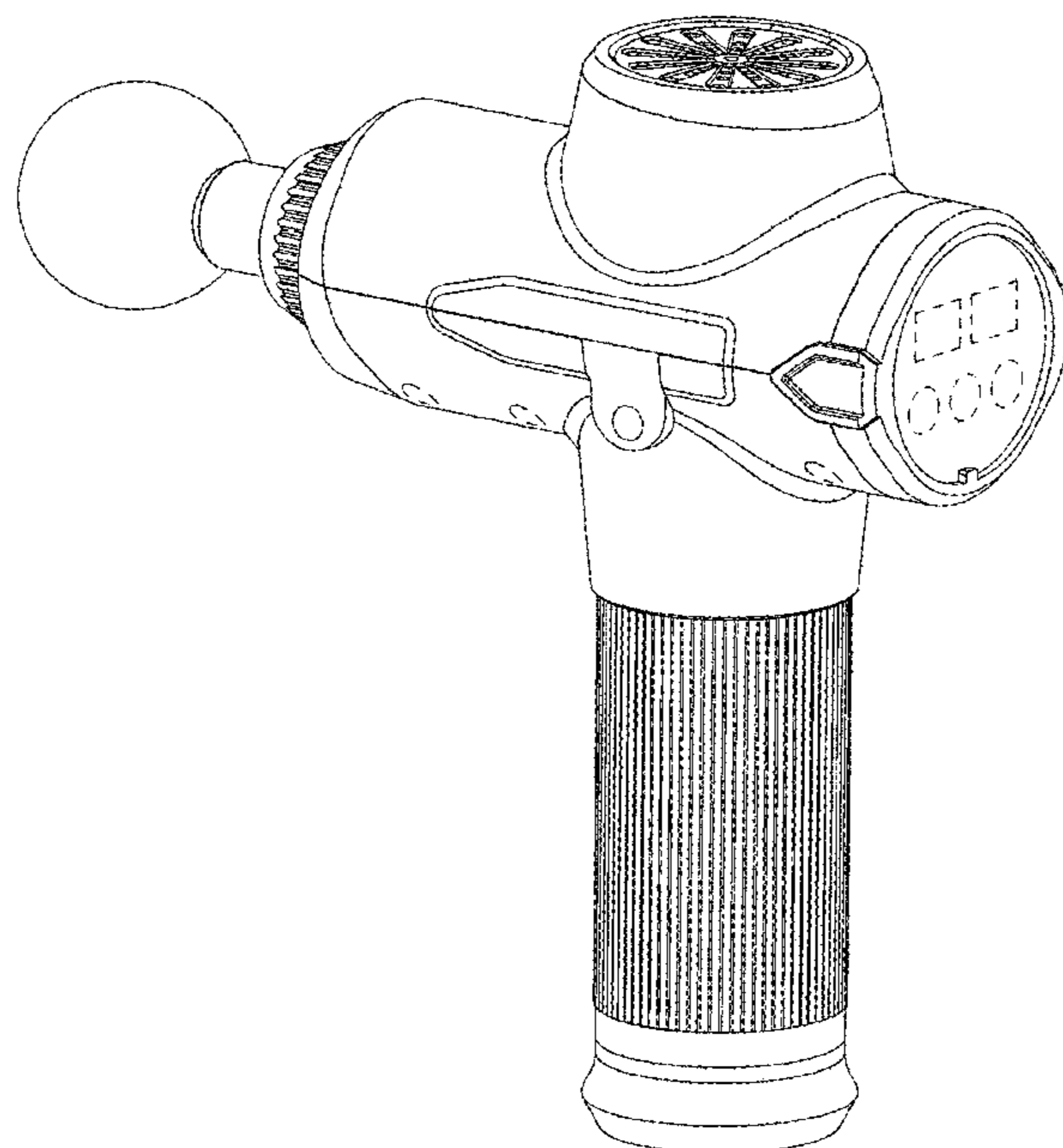
(57) **CLAIM**

The ornamental design for a massage gun, as shown and described.

**DESCRIPTION**

FIG. 1 is a perspective view of a massage gun showing my new design;  
FIG. 2 is another perspective view thereof;  
FIG. 3 is a front elevational view thereof;  
FIG. 4 is a rear elevational view thereof;  
FIG. 5 is a left side view thereof;  
FIG. 6 is a right side view thereof; and,  
FIG. 7 is a top plan view thereof.  
The broken lines shown in the figures are for the purpose of illustrating portions of the massage gun which form no part of the claimed design.

**1 Claim, 7 Drawing Sheets**



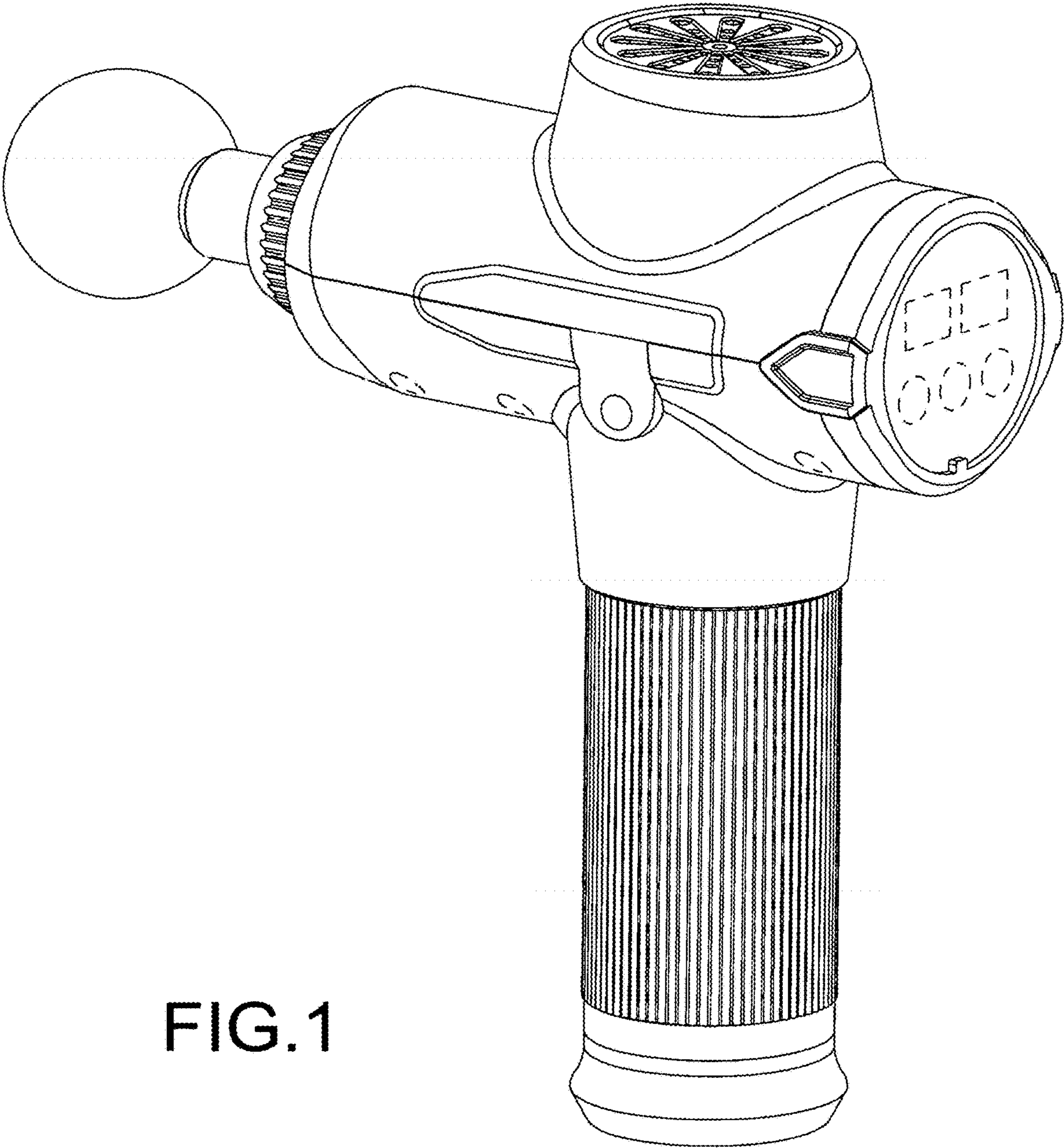


FIG.1

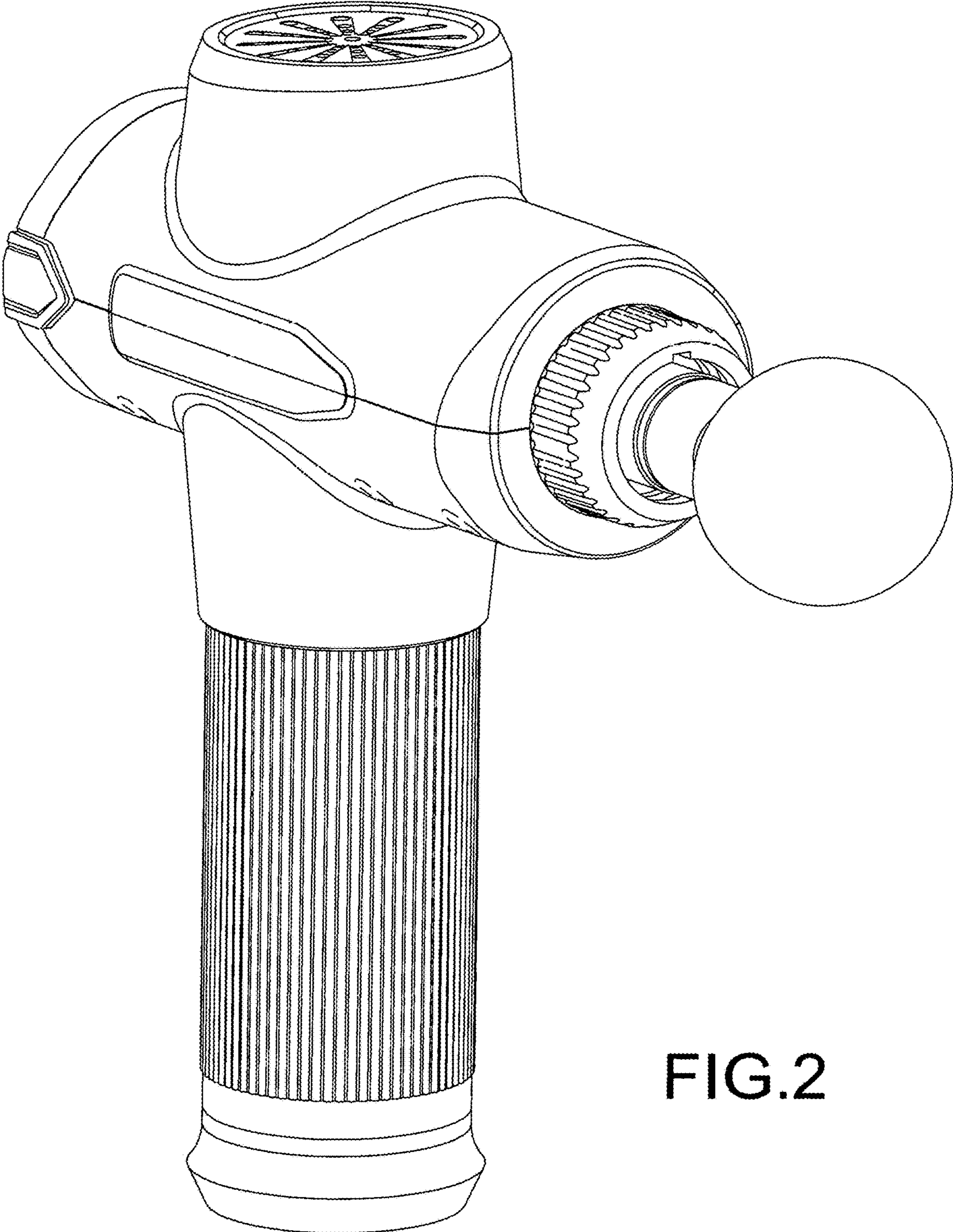


FIG. 2

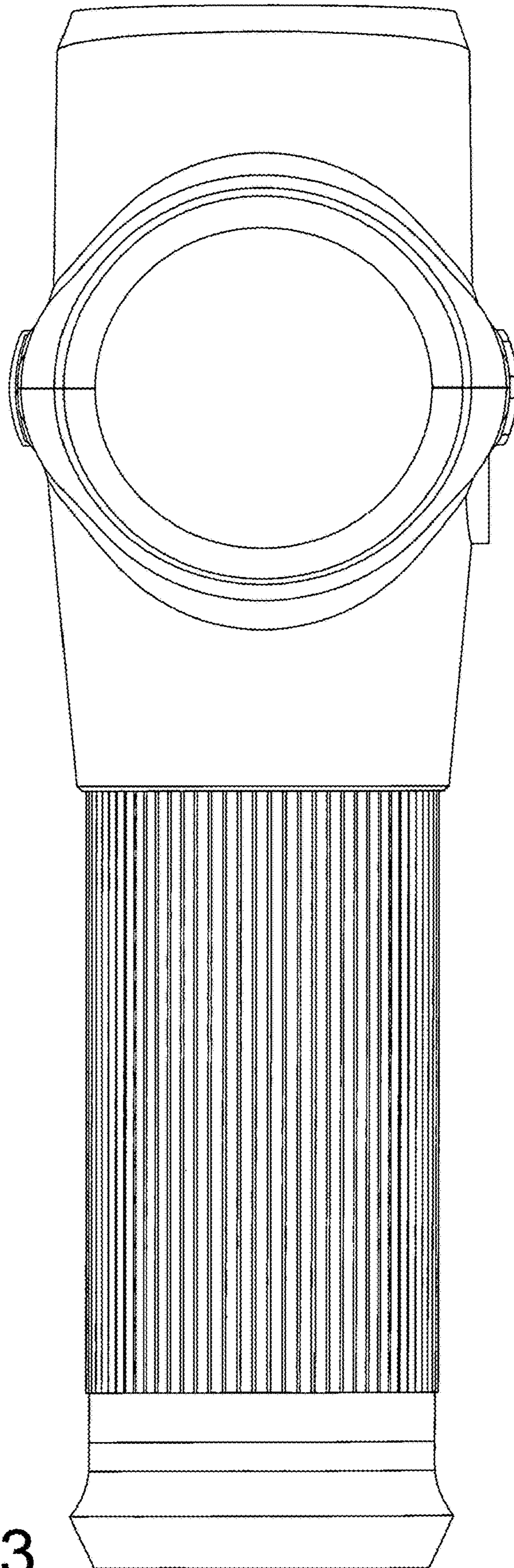


FIG.3

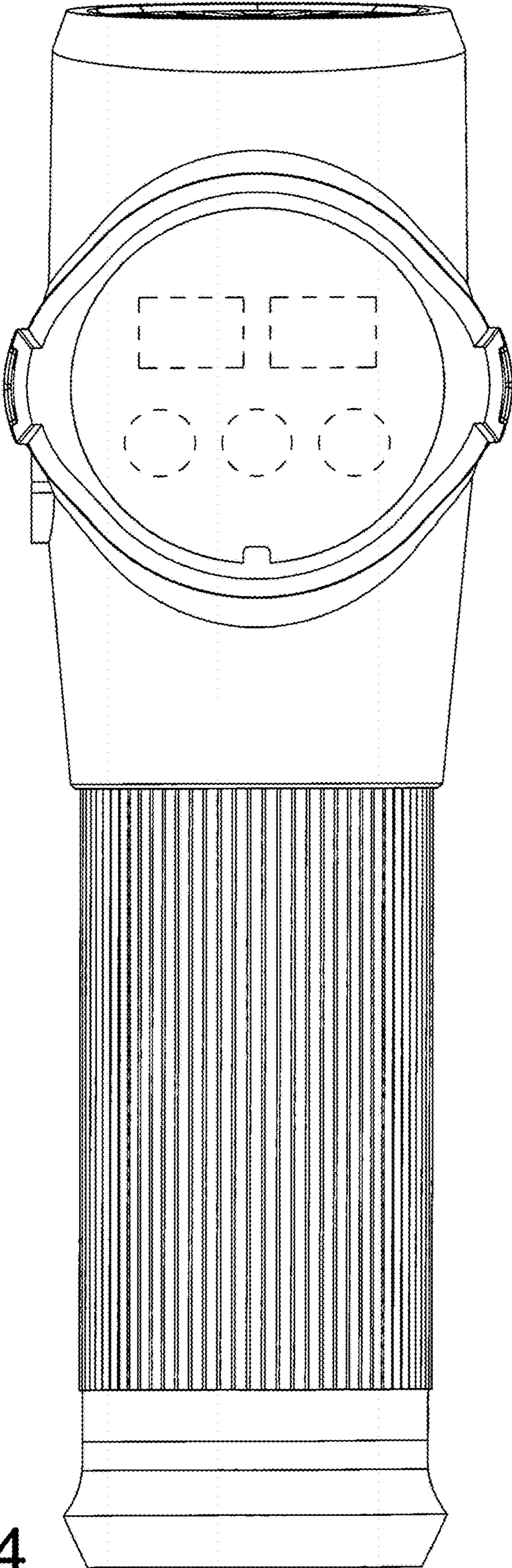


FIG.4

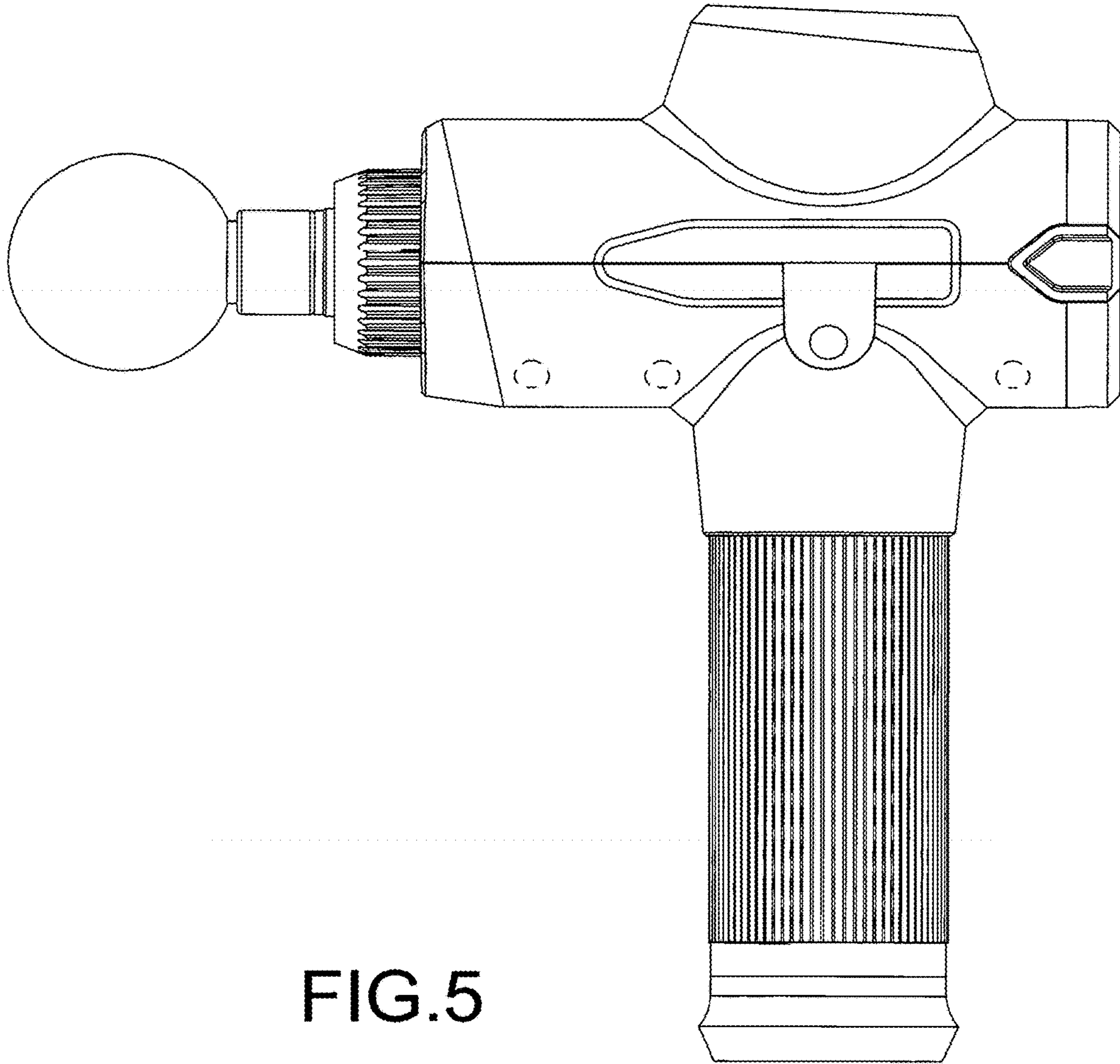


FIG.5

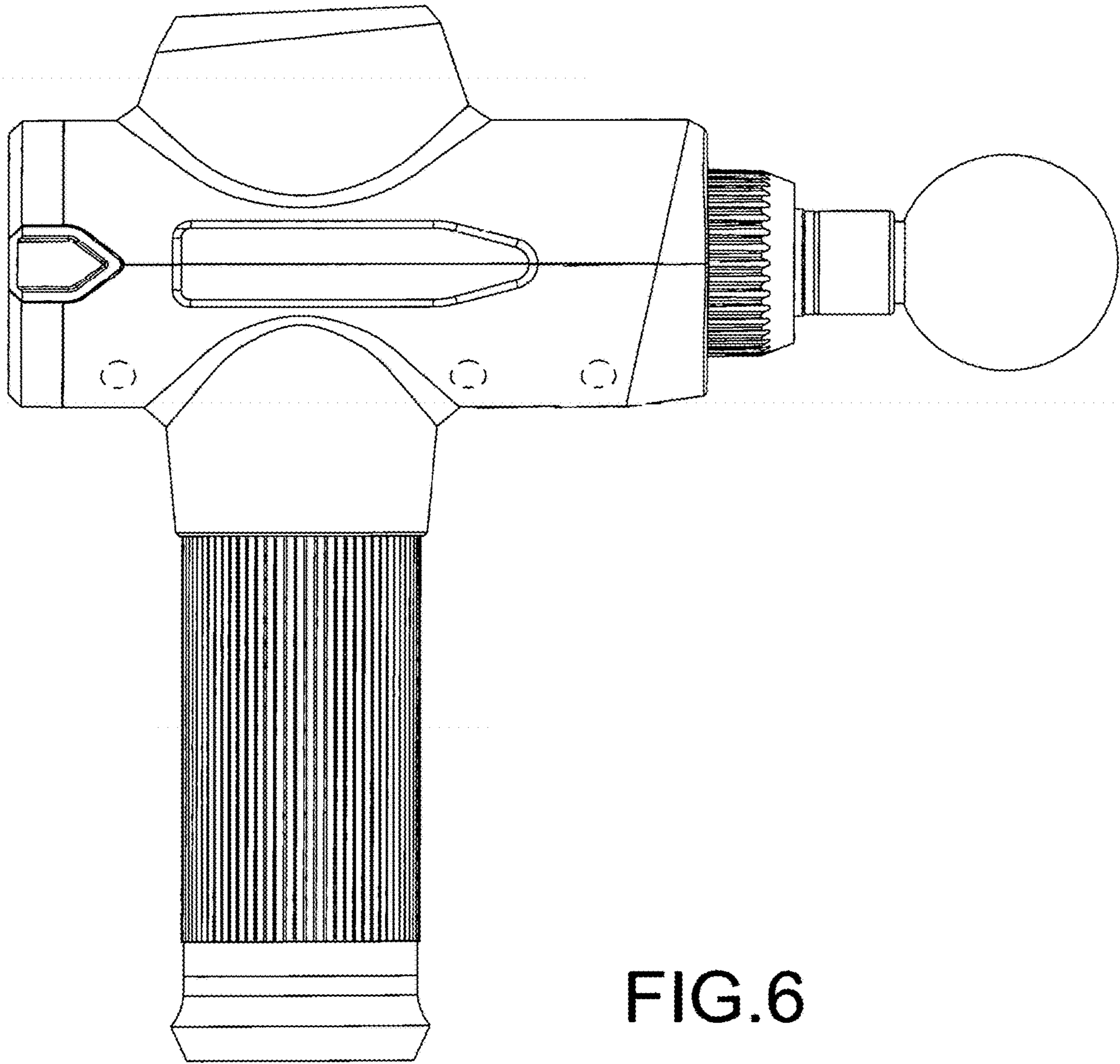


FIG. 6

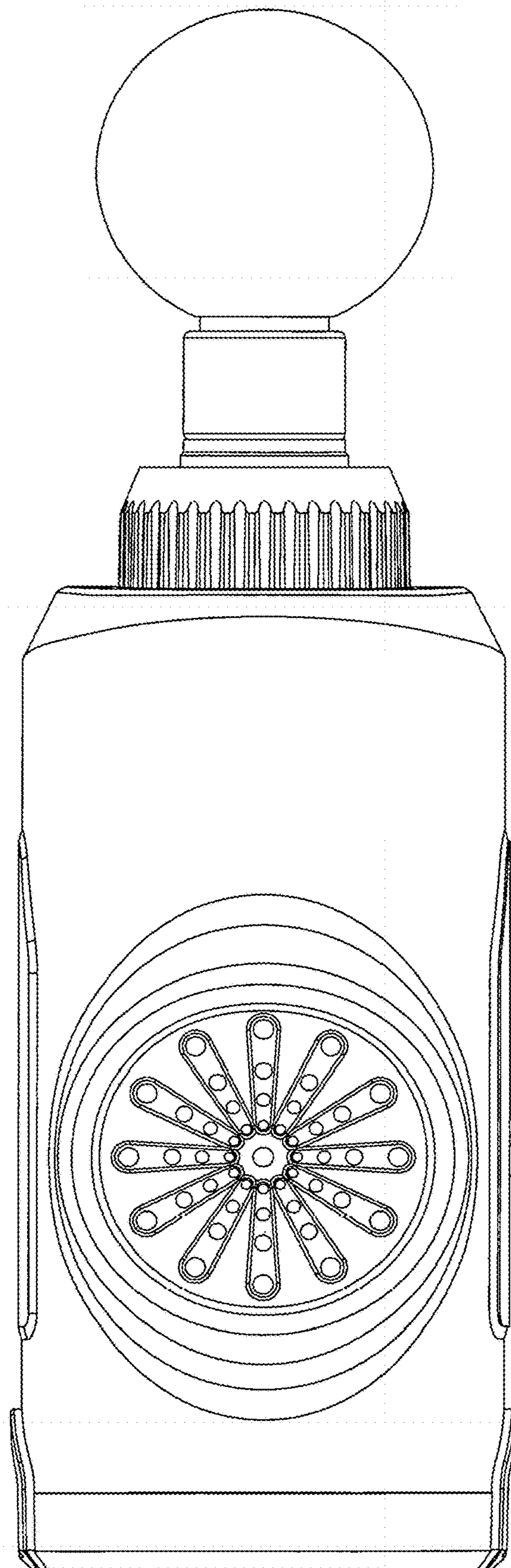


FIG.7