



US00D948067S

(12) **United States Design Patent**  
**Zheng et al.**

(10) **Patent No.:** **US D948,067 S**

(45) **Date of Patent:** **\*\* Apr. 5, 2022**

(54) **MASSAGER**

(71) Applicant: **Hui Wang**, Suzhou (CN)

(72) Inventors: **Shiyuan Zheng**, Suzhou (CN); **Huihai Zeng**, Suzhou (CN); **Fuqi Zhou**, Guangdong (CN); **Dianxuan Zhang**, Suzhou (CN)

(73) Assignee: **Hui Wang**

(\*\*) Term: **15 Years**

(21) Appl. No.: **29/707,901**

(22) Filed: **Oct. 1, 2019**

(30) **Foreign Application Priority Data**

Aug. 8, 2019 (CN) ..... 201930429330.6

(51) **LOC (13) Cl.** ..... **28-03**

(52) **U.S. Cl.**  
USPC ..... **D24/215**

(58) **Field of Classification Search**  
USPC ..... D24/200, 211, 212, 213, 214, 215;  
D8/14.1; D28/13  
CPC . A61H 2201/1635; A61H 23/006; A61H 1/00  
See application file for complete search history.

(56) **References Cited**

U.S. PATENT DOCUMENTS

D616,558 S *	5/2010	Tsai	.....	D24/200
D847,364 S *	4/2019	Lee	.....	D24/215
10,314,762 B1 *	6/2019	Marton	.....	A61H 23/006
D855,822 S *	8/2019	Marton	.....	D24/215
D863,571 S *	10/2019	Yang	.....	D24/200
D866,790 S *	11/2019	Lee	.....	D24/215
D873,432 S *	1/2020	Duan	.....	D24/214
D874,015 S *	1/2020	Marton	.....	D24/215
D875,961 S *	2/2020	Li	.....	D24/211
D884,205 S *	5/2020	Zhuang	.....	D24/215
D884,207 S *	5/2020	Ma	.....	D24/215

D886,317 S *	6/2020	Marton	.....	D24/215
D895,132 S *	9/2020	Hu	.....	D24/215
D895,133 S *	9/2020	Xu	.....	D24/215
D895,135 S *	9/2020	Xu	.....	D24/215
D895,829 S *	9/2020	Hu	.....	D24/215
D895,831 S *	9/2020	Chen	.....	D24/215
D898,209 S *	10/2020	Xu	.....	D24/214
D899,620 S *	10/2020	Huang	.....	D24/215
D905,863 S *	12/2020	Lin	.....	D24/215
D906,533 S *	12/2020	Xu	.....	D24/215

(Continued)

OTHER PUBLICATIONS

Amazon, "Everyfun Massage Gun", Jun. 14, 2020. [https://www.amazon.com/Everyfun-Massage-Athletes-Percussion-Stiffness/dp/B093XZ75N6/ref=cm\\_cr\\_arp\\_d\\_product\\_top?ie=UTF8](https://www.amazon.com/Everyfun-Massage-Athletes-Percussion-Stiffness/dp/B093XZ75N6/ref=cm_cr_arp_d_product_top?ie=UTF8). Shown on p. 1. (Year: 2020).\*

(Continued)

*Primary Examiner* — Cynthia Ramirez  
*Assistant Examiner* — Michael A Maharajh

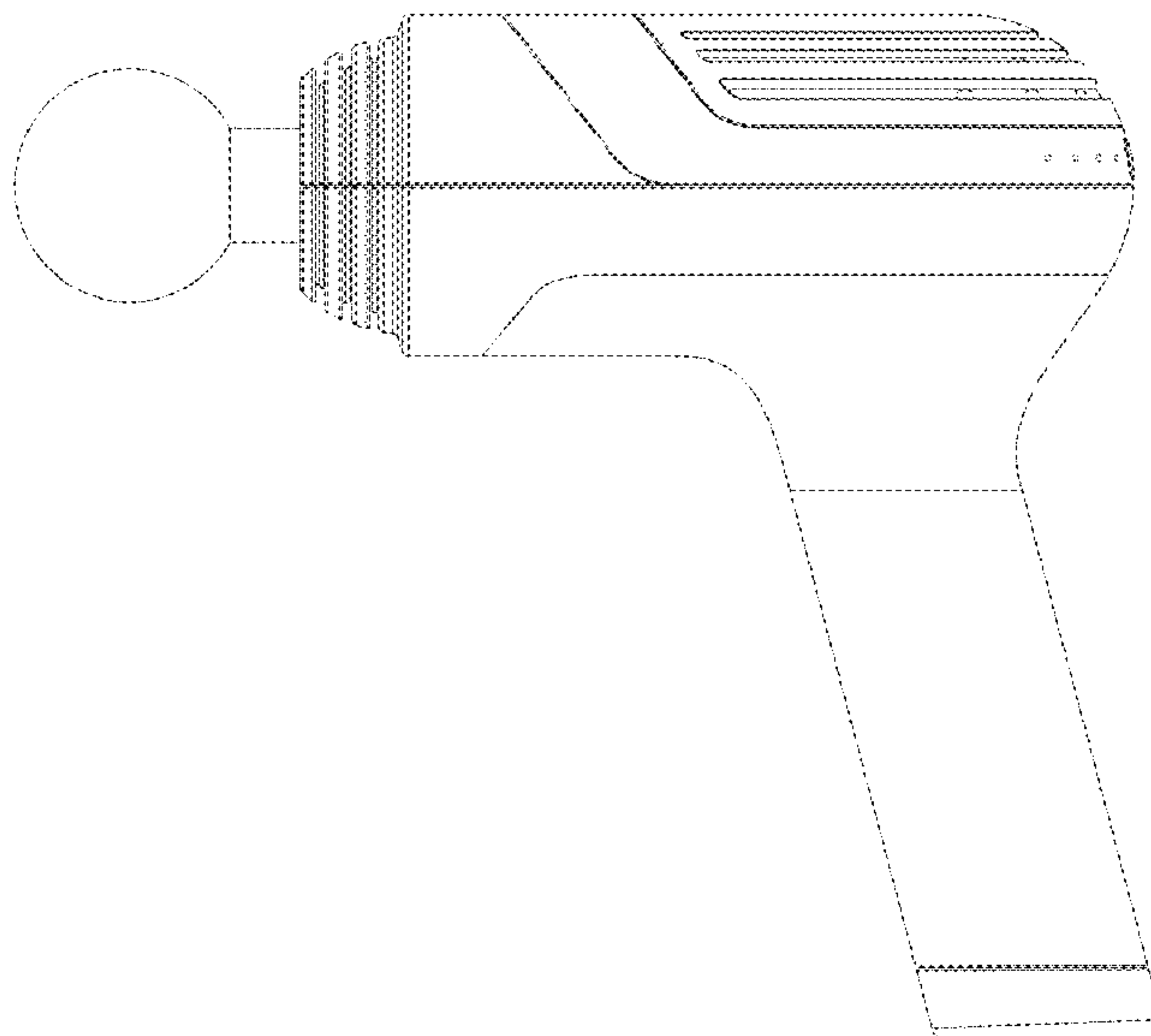
(57) **CLAIM**

The ornamental design for a massager, as shown and described.

**DESCRIPTION**

FIG. 1 is a front view of a massager, showing our new design;  
FIG. 2 is a back view thereof;  
FIG. 3 is a left side view thereof;  
FIG. 4 is a right side view thereof;  
FIG. 5 is a top view thereof;  
FIG. 6 is a bottom view thereof;  
FIG. 7 is a perspective view thereof; and,  
FIG. 8 is another perspective view thereof.  
The broken lines shown in the figures are for the purpose of illustrating portions of the massager which form no part of the claimed design.

**1 Claim, 8 Drawing Sheets**



(56)

**References Cited**

U.S. PATENT DOCUMENTS

D907,229	S	*	1/2021	Zhang	.....	D24/215
D907,230	S	*	1/2021	Zhang	.....	D24/215
D908,908	S	*	1/2021	Xu	.....	D24/215
D910,194	S	*	2/2021	Radtke	.....	D24/215
D911,535	S	*	2/2021	Yu	.....	D24/200
D912,267	S	*	3/2021	Tang	.....	D24/215
D913,516	S	*	3/2021	Zhang	.....	D24/215
D913,517	S	*	3/2021	Yu	.....	D24/215
D916,307	S	*	4/2021	Xiong	.....	D24/215
D917,060	S	*	4/2021	Hu	.....	D24/215
2016/0338899	A1	*	11/2016	Howson	.....	A61H 7/001
2019/0254921	A1	*	8/2019	Marton	.....	A61H 23/006
2020/0085675	A1	*	3/2020	Lee	.....	A61H 1/00
2020/0390644	A1	*	12/2020	Yang	.....	G16H 20/30
2021/0113427	A1	*	4/2021	Liu	.....	A61H 23/0254

OTHER PUBLICATIONS

Youtube, "Everyfun M3 Pro Massage Gun", Jan. 19, 2021. <https://www.youtube.com/watch?v=SAm5jj3832c>. Shown at the 0:02 second. (Year: 2021).\*

Orbit, "Massage Gun", Application Date Aug. 8, 2019. [www.Orbit.com](http://www.Orbit.com). Shown on p. 1. (Year: 2019).\*

\* cited by examiner

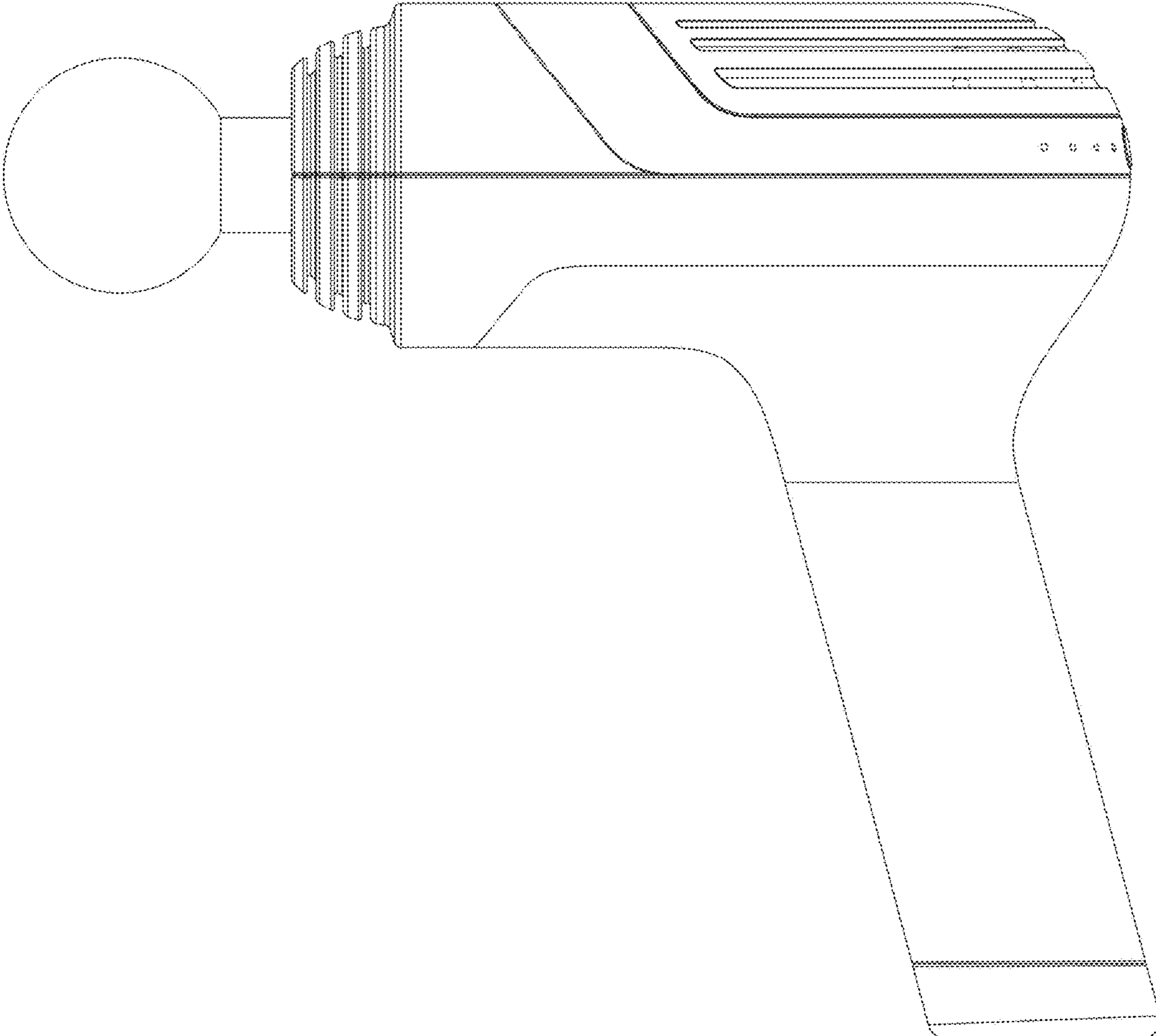


FIG.1

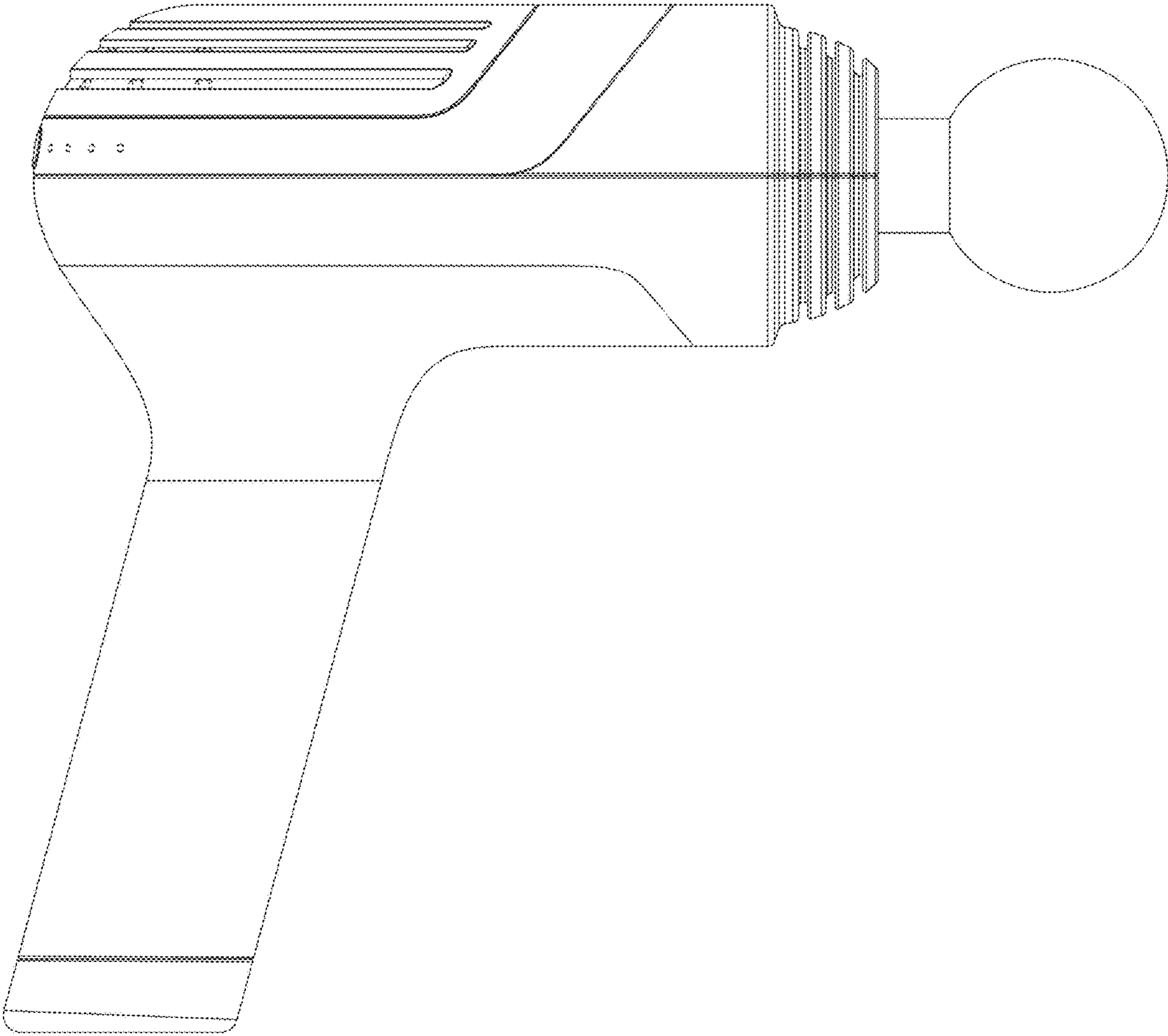


FIG.2

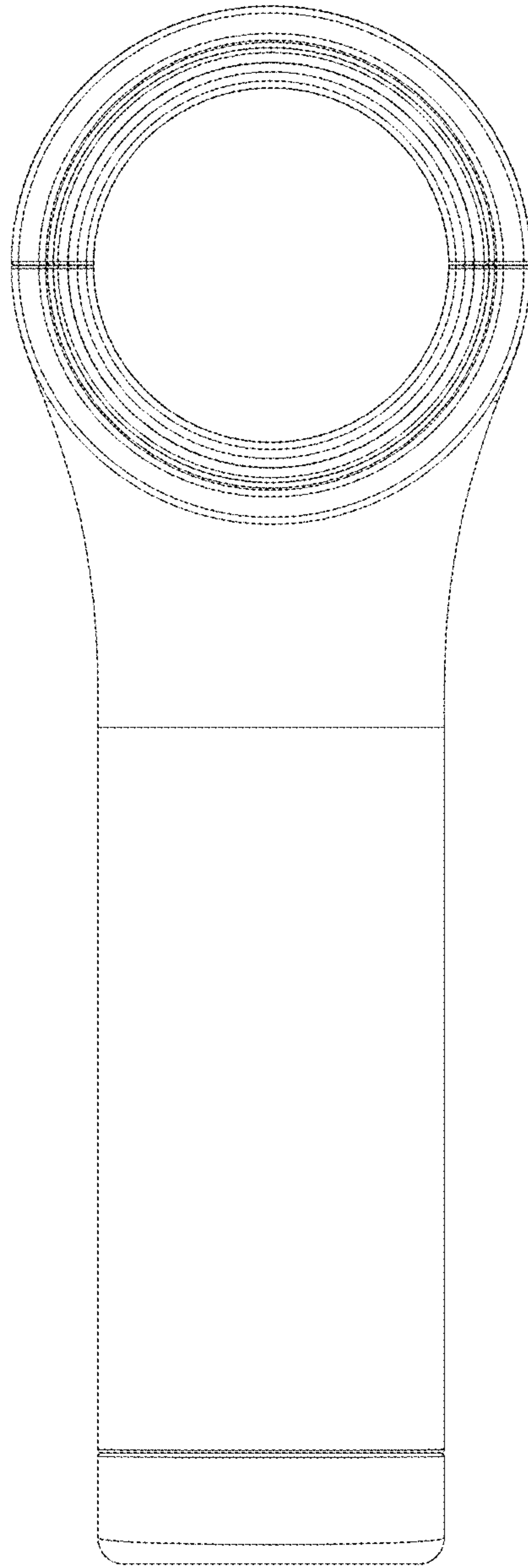


FIG.3

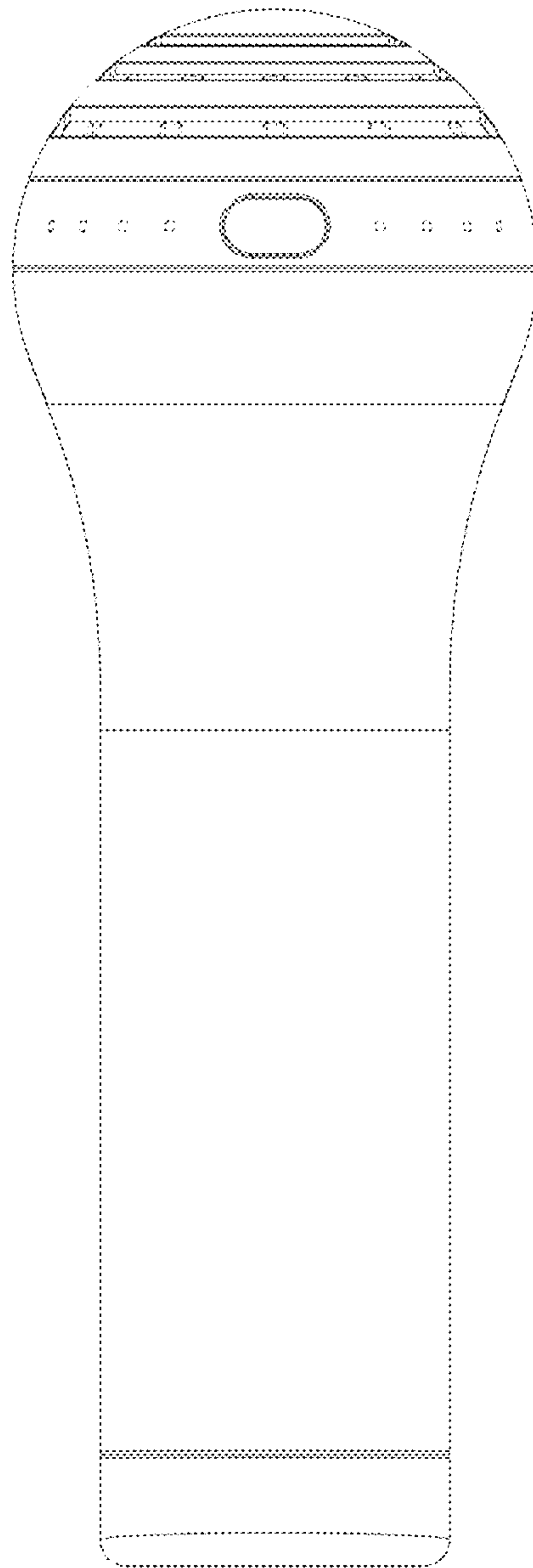


FIG. 4



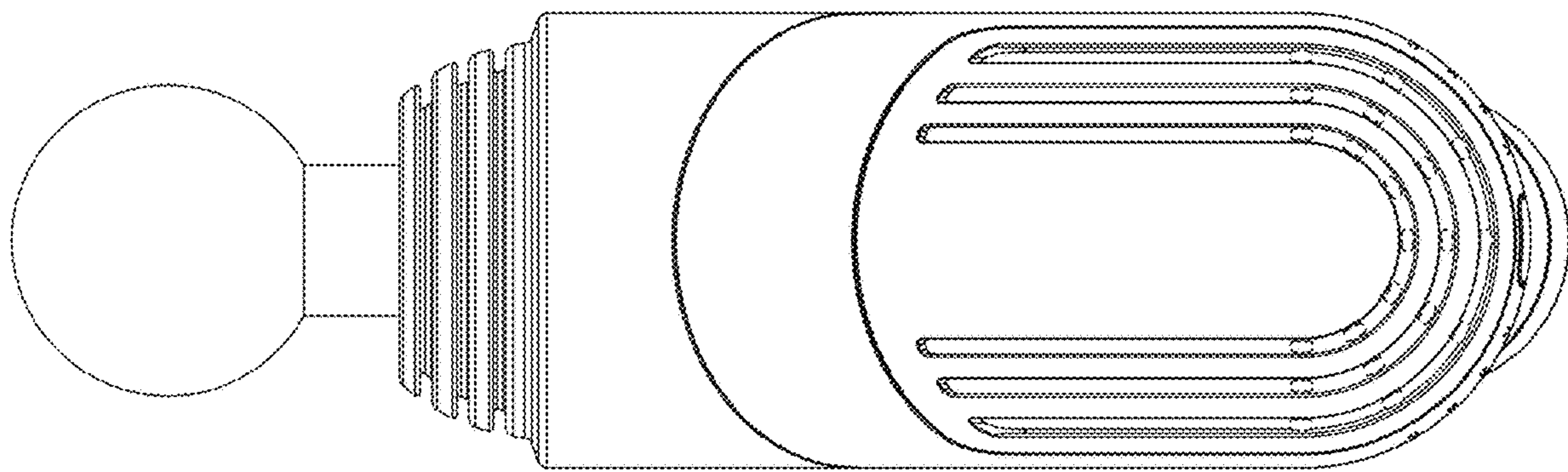


FIG.5

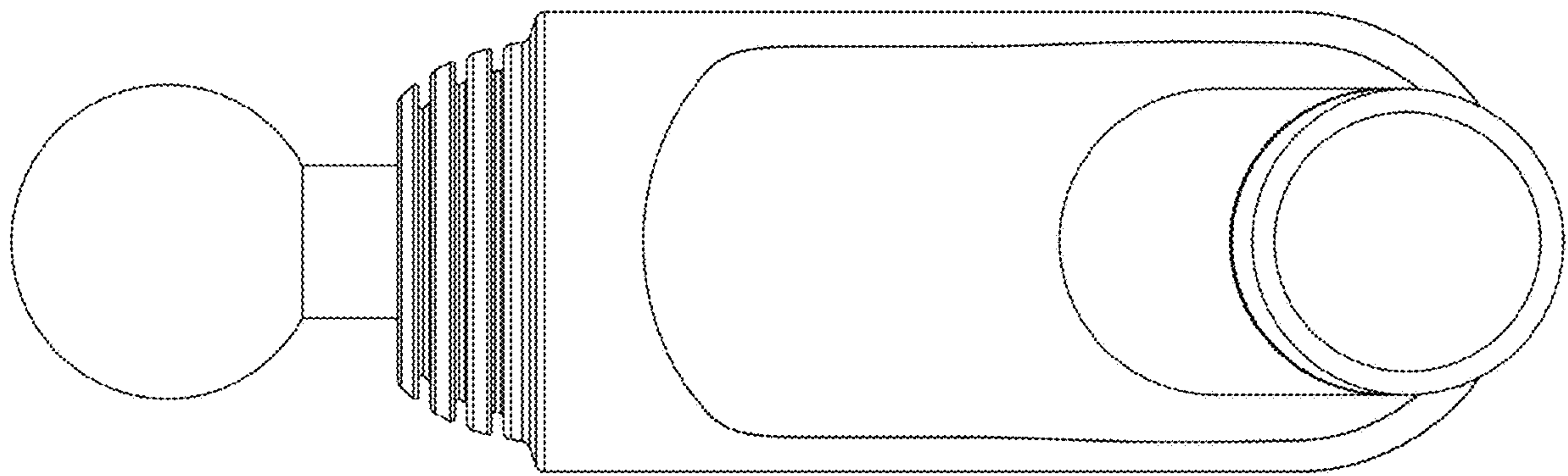


FIG.6



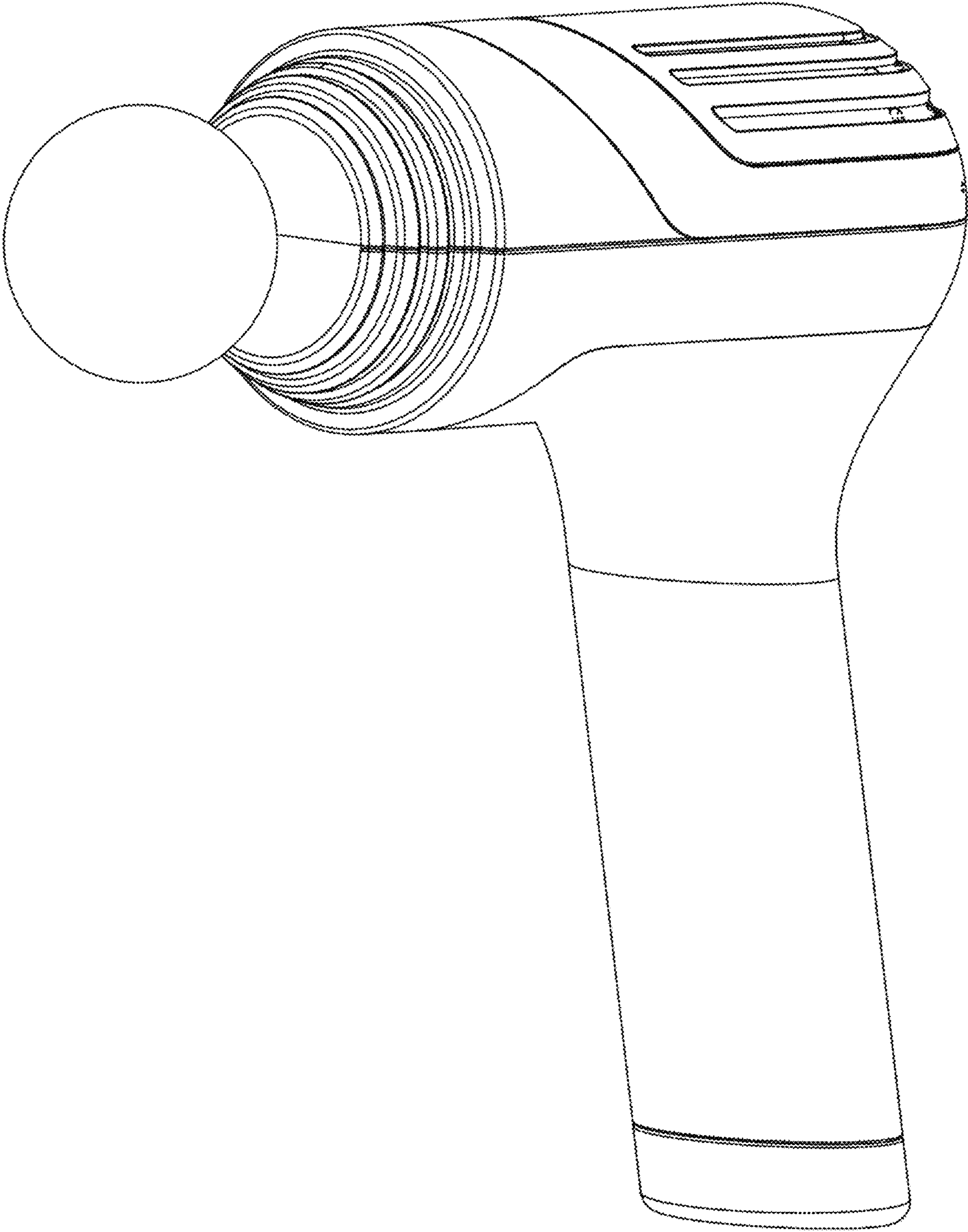


FIG.7

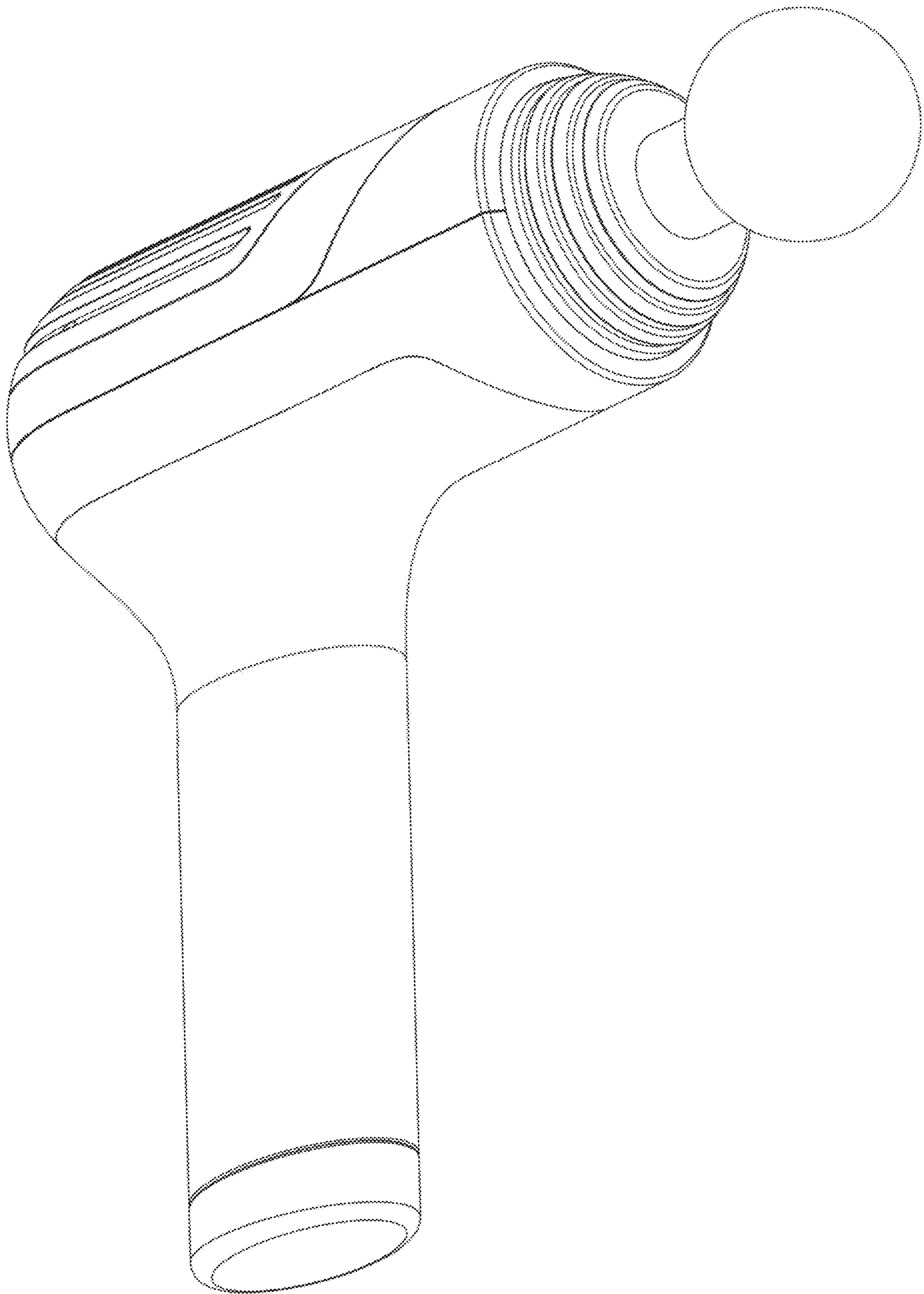


FIG.8