

US00D948066S

(12) **United States Design Patent** (10) **Patent No.:** **US D948,066 S**
Luo (45) **Date of Patent:** **** Apr. 5, 2022**

(54) **FOOT MASSAGER**
(71) Applicant: **Xingyi Luo**, Anaheim (CA)
(72) Inventor: **Xingyi Luo**, Anaheim (CA)
(73) Assignee: **Nekteck, Inc**, Anaheim, CA (US)
(**) Term: **15 Years**
(21) Appl. No.: **29/776,064**

D542,927 S * 5/2007 Harris D24/212
7,273,461 B2 * 9/2007 Baek A61H 9/0078
601/134
D584,826 S * 1/2009 Ng D24/213
D590,065 S * 4/2009 Yuyama D24/212
D643,127 S * 8/2011 Lim D24/213
D648,859 S * 11/2011 Ng D24/212
D652,940 S * 1/2012 Byle D24/215
D717,962 S * 11/2014 Chen D24/213
D783,847 S * 4/2017 Galati, Jr. D24/204
D846,752 S * 4/2019 Zhou
D923,807 S * 6/2021 Long D24/213

(Continued)

(22) Filed: **Mar. 26, 2021**
(51) **LOC (13) Cl.** **28-03**
(52) **U.S. Cl.**
USPC **D24/213**
(58) **Field of Classification Search**
USPC D24/133, 200, 203, 205, 211, 212, 213,
D24/214, 215; D6/349
CPC A61H 2201/164; A61H 2205/125; A61H
35/00; A61H 1/0266
See application file for complete search history.

OTHER PUBLICATIONS

Amazon, "Snailax Foot Massager", Jan. 14, 2021. https://www.amazon.com/Snailax-Massager-Circulation-Fasciitis-Neuropathy/dp/B08T1L7LYY/ref=cm_cr_arp_d_product_top?ie=UTF8. Shown on p. 1. (Year: 2021).*

Primary Examiner — Cynthia Ramirez
Assistant Examiner — Michael A Maharajh

(56) **References Cited**

U.S. PATENT DOCUMENTS

D242,292 S * 11/1976 Miller et al. D24/205
5,107,822 A * 4/1992 Ohashi A61H 1/0237
482/79
D340,116 S * 10/1993 Ohashi D24/200
D340,529 S * 10/1993 Ohashi D24/200
D363,555 S * 10/1995 Lie D24/213
D379,661 S * 6/1997 You D24/213
D419,682 S * 1/2000 Lie D24/213
D477,415 S * 7/2003 Miyake D24/212
D478,670 S * 8/2003 Tsai D24/212
D487,514 S * 3/2004 Lie D24/213
D487,515 S * 3/2004 Lie D24/213
6,725,471 B2 * 4/2004 Ferber A47K 3/022
4/541.5
D524,947 S 7/2006 Gleason
D527,460 S * 8/2006 Kawamura D24/200
D535,402 S * 1/2007 Lifeng D24/200
D535,751 S * 1/2007 Lifeng D24/200

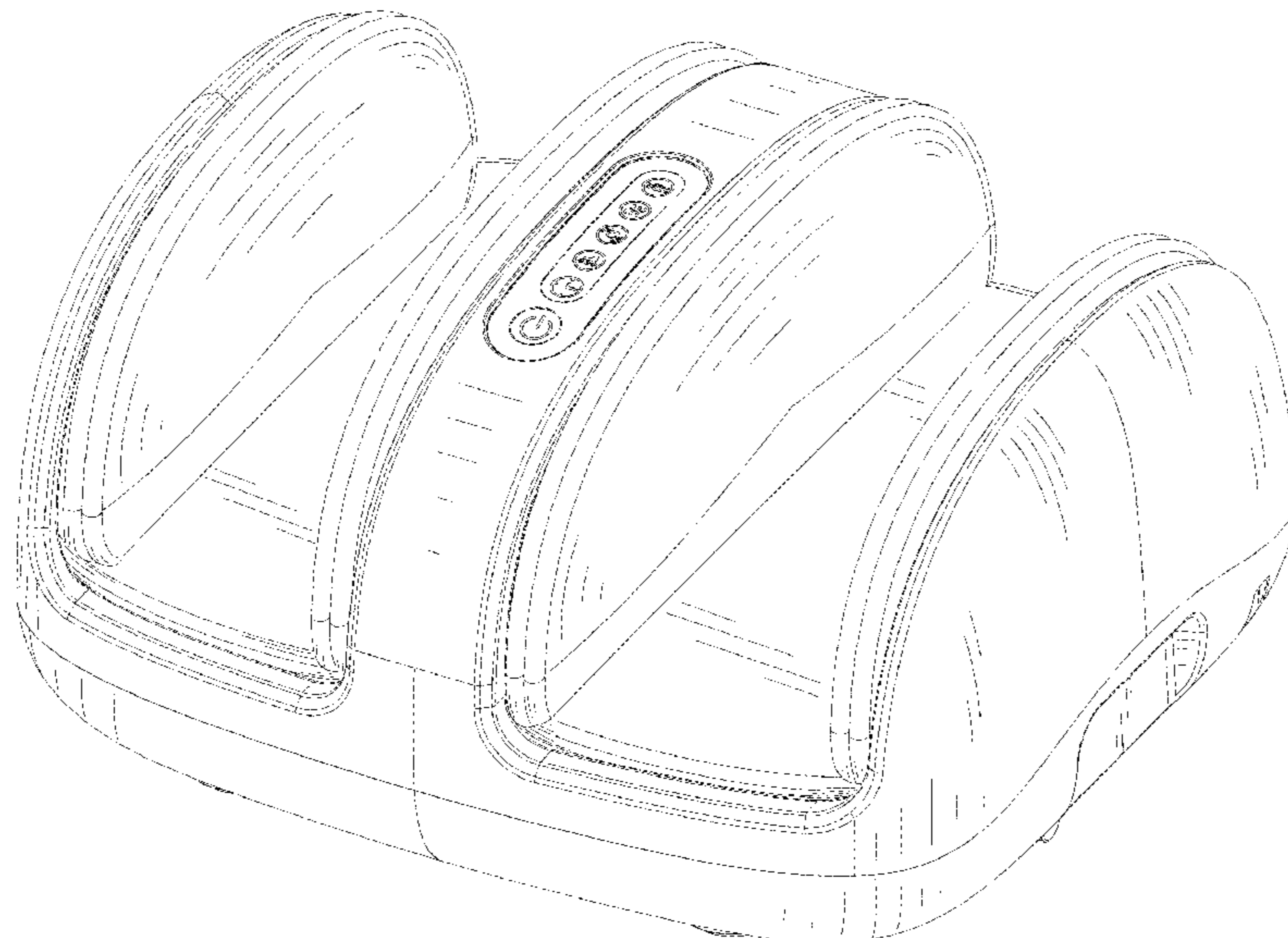
(57) **CLAIM**

The ornamental design for a foot massager, as shown and described.

DESCRIPTION

FIG. 1 is a top perspective view of a foot massager showing my new design;
FIG. 2 is a bottom perspective view thereof;
FIG. 3 is a top view thereof;
FIG. 4 is a bottom view thereof;
FIG. 5 is a side view thereof;
FIG. 6 is another side view thereof;
FIG. 7 is a rear view thereof; and,
FIG. 8 is a front view thereof.
The broken lines in the drawings illustrate portions of the foot massager, which form no part of the claimed design.

1 Claim, 8 Drawing Sheets



(56)

References Cited

U.S. PATENT DOCUMENTS

2003/0070222 A1* 4/2003 Bastia A61H 15/0078
4/622
2005/0137502 A1* 6/2005 Harashima A61H 1/008
601/84
2005/0257318 A1* 11/2005 Perkins A47K 3/022
4/622
2006/0036198 A1* 2/2006 Cafaro A61H 35/006
601/16
2006/0059618 A1* 3/2006 Chung A61H 33/6089
4/622
2006/0207017 A1* 9/2006 Lev A61H 33/6021
4/622
2006/0207018 A1* 9/2006 Lev A61H 33/02
4/622
2007/0078362 A1* 4/2007 Chen A61H 15/0078
601/94
2007/0143918 A1* 6/2007 Cafaro A47K 3/022
4/622
2007/0232968 A1* 10/2007 Watanabe A61H 7/001
601/90
2012/0095375 A1* 4/2012 Ishiguro A61H 7/007
601/112
2017/0119624 A1* 5/2017 Kim A47C 20/021

* cited by examiner

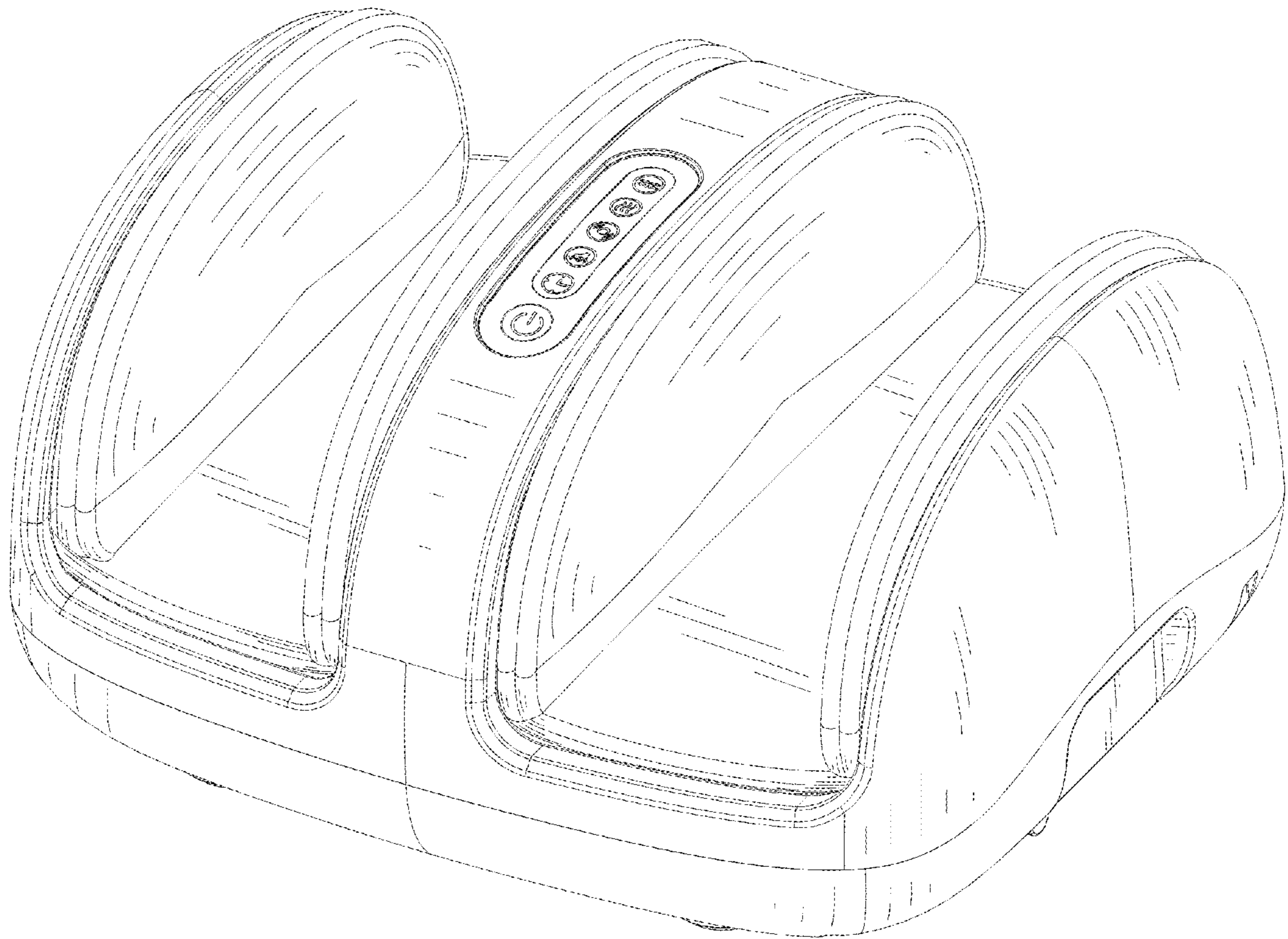


FIG. 1

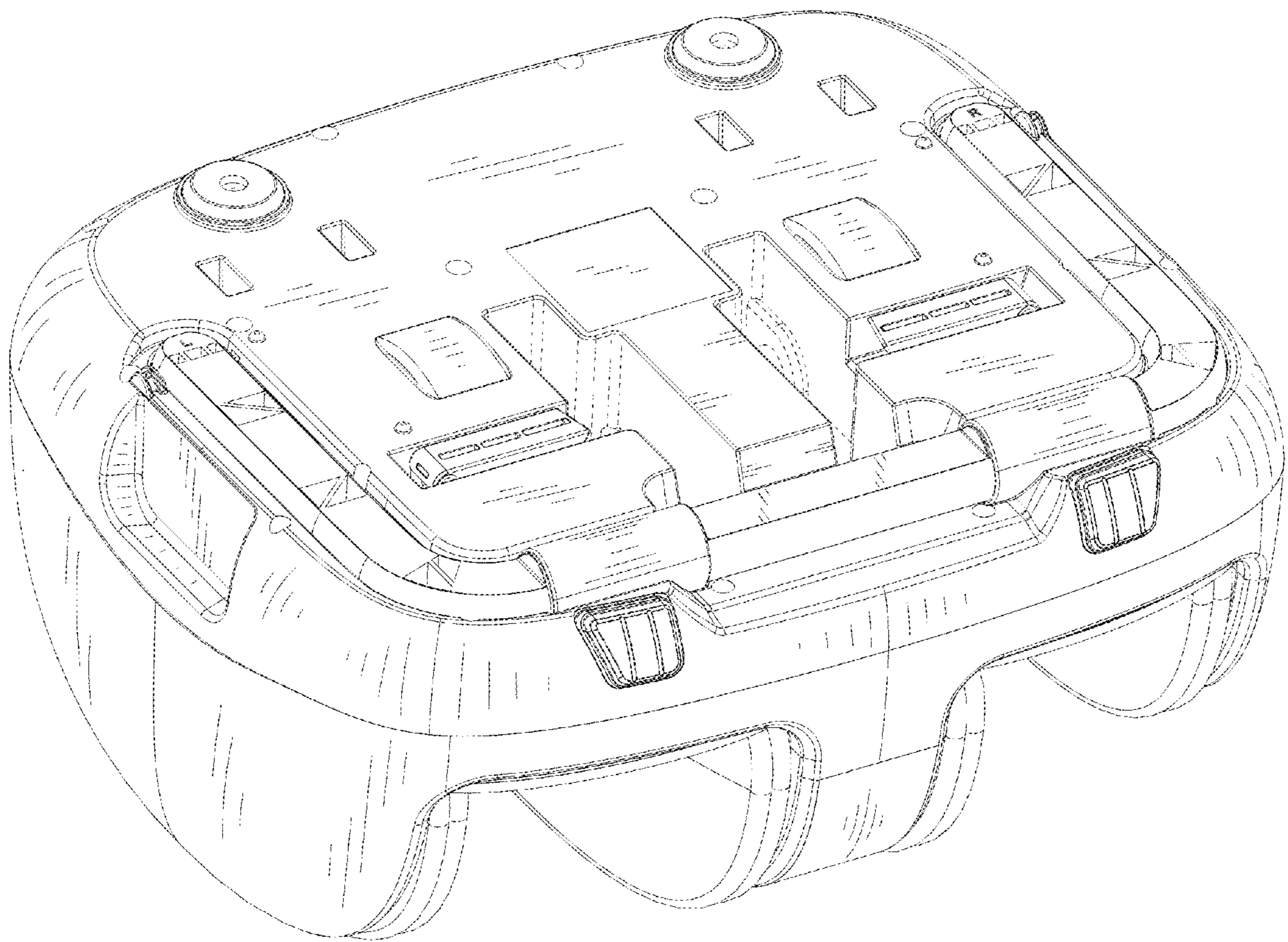


FIG. 2

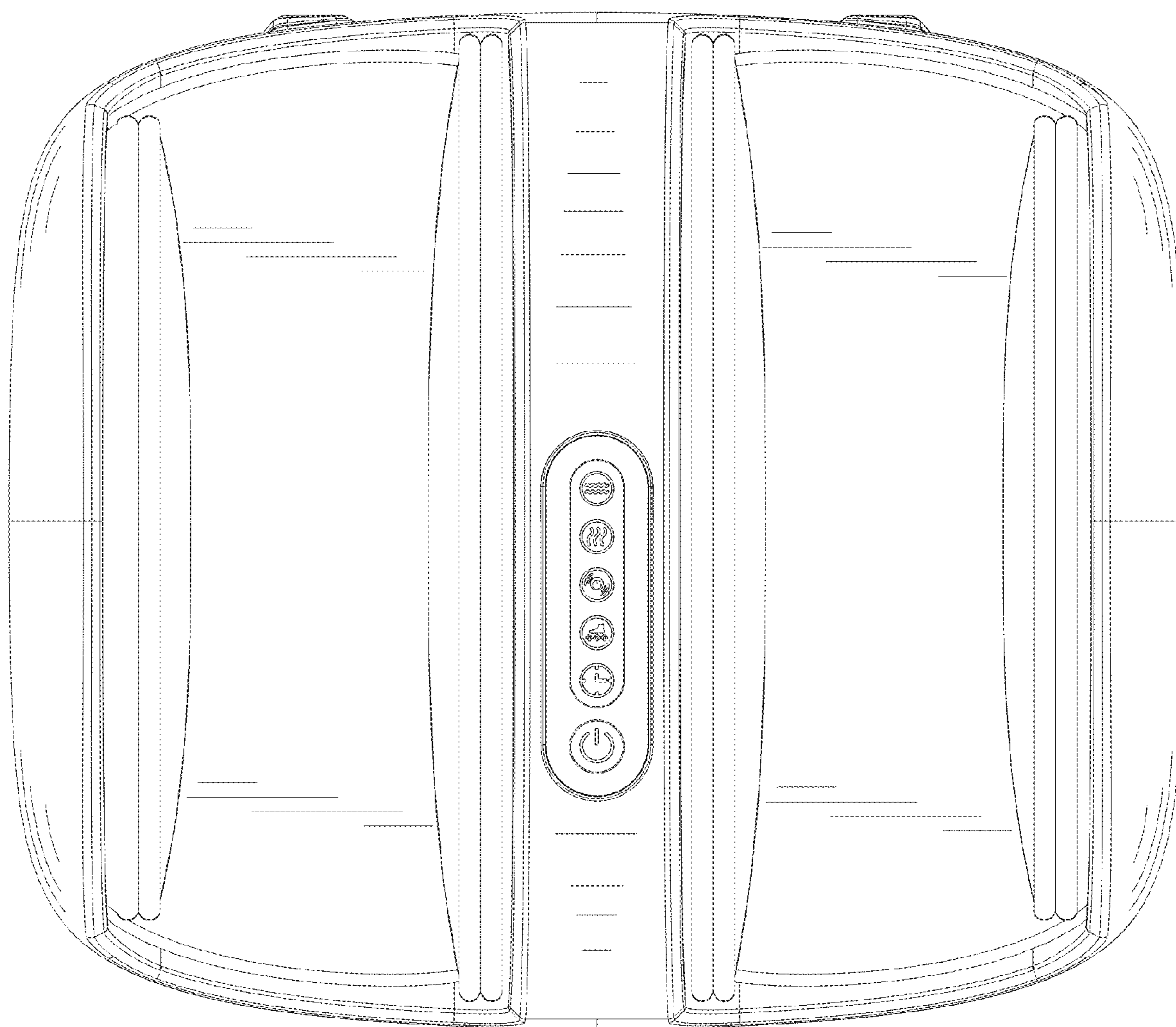


FIG. 3

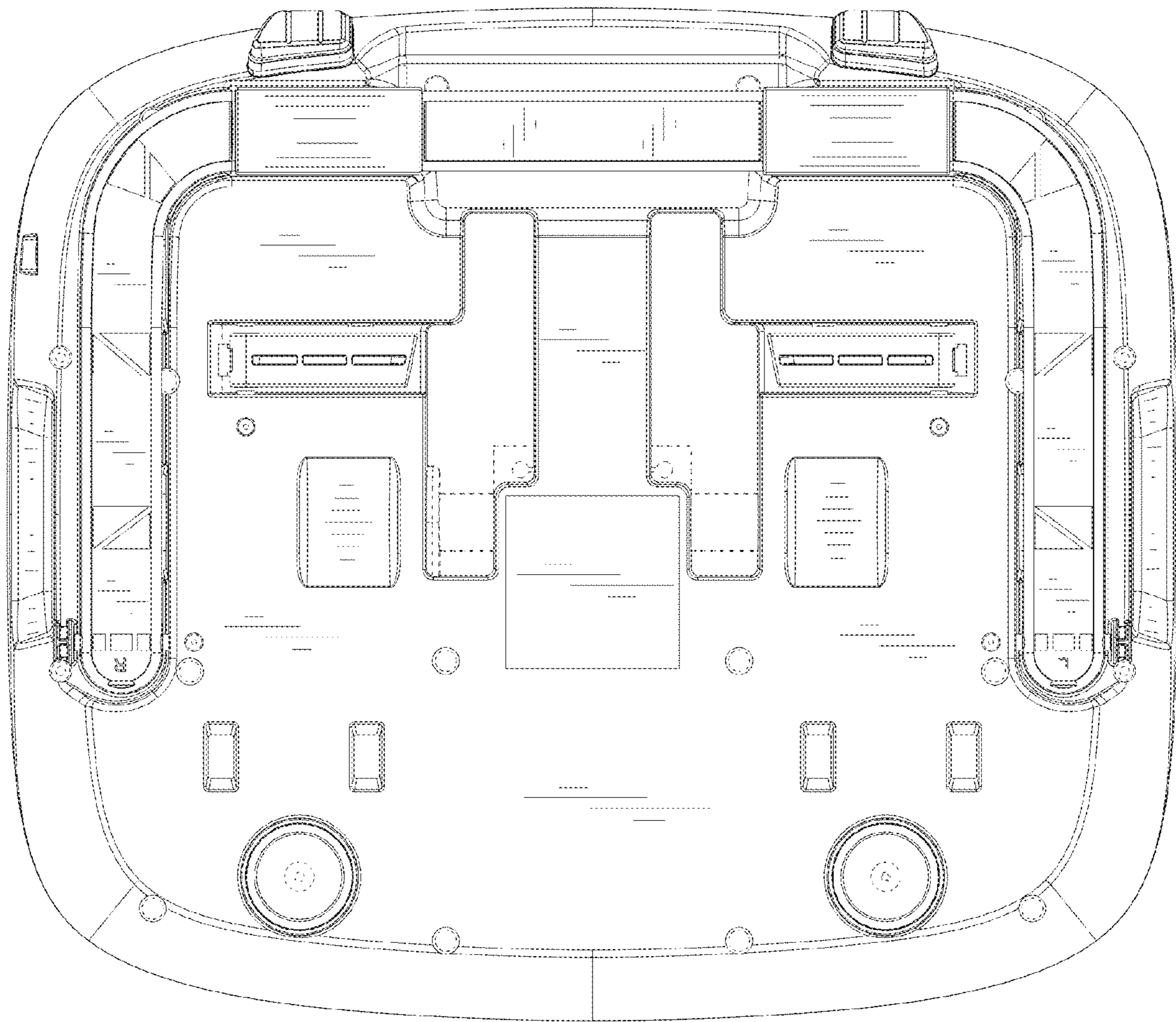


FIG. 4

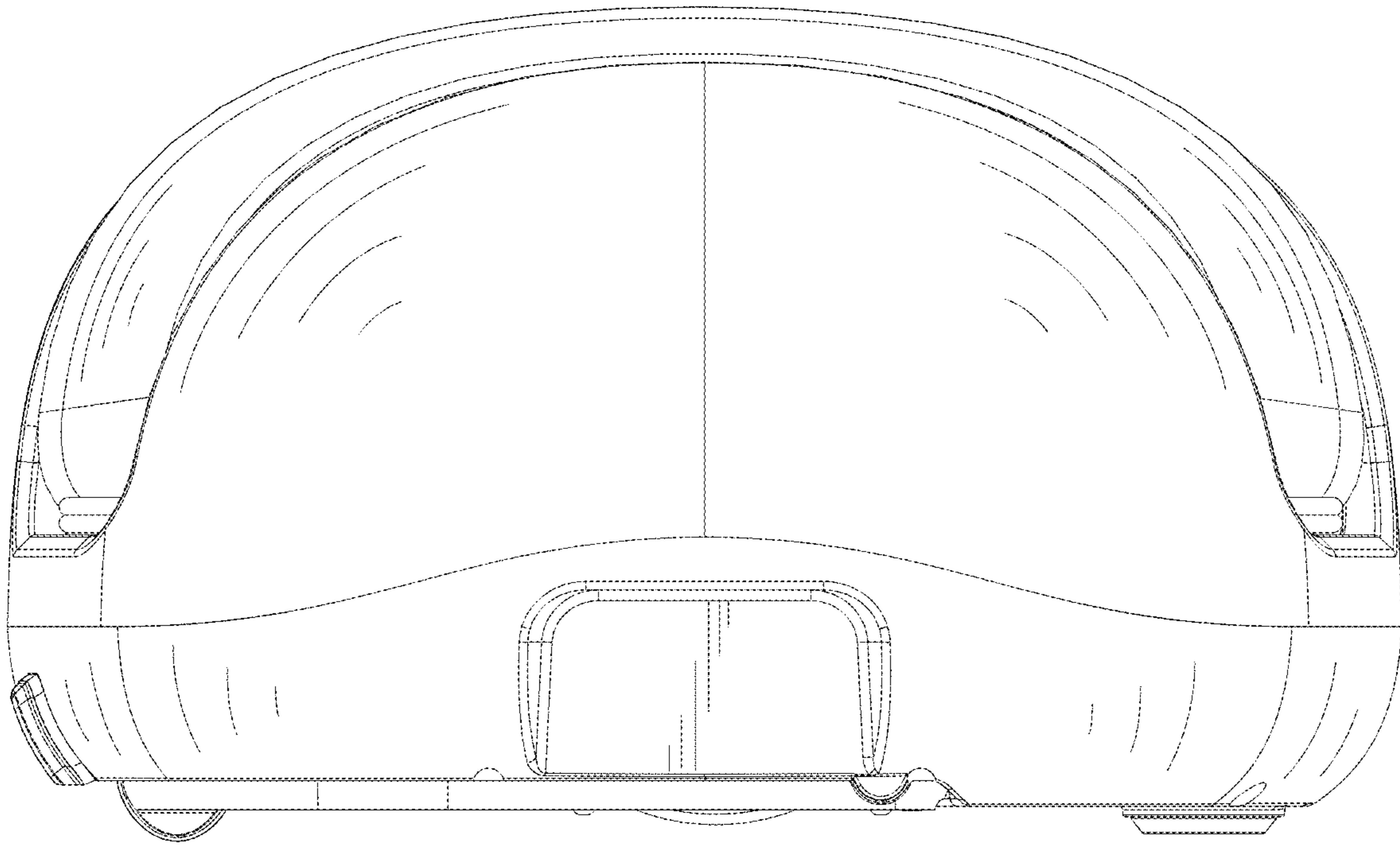


FIG. 5

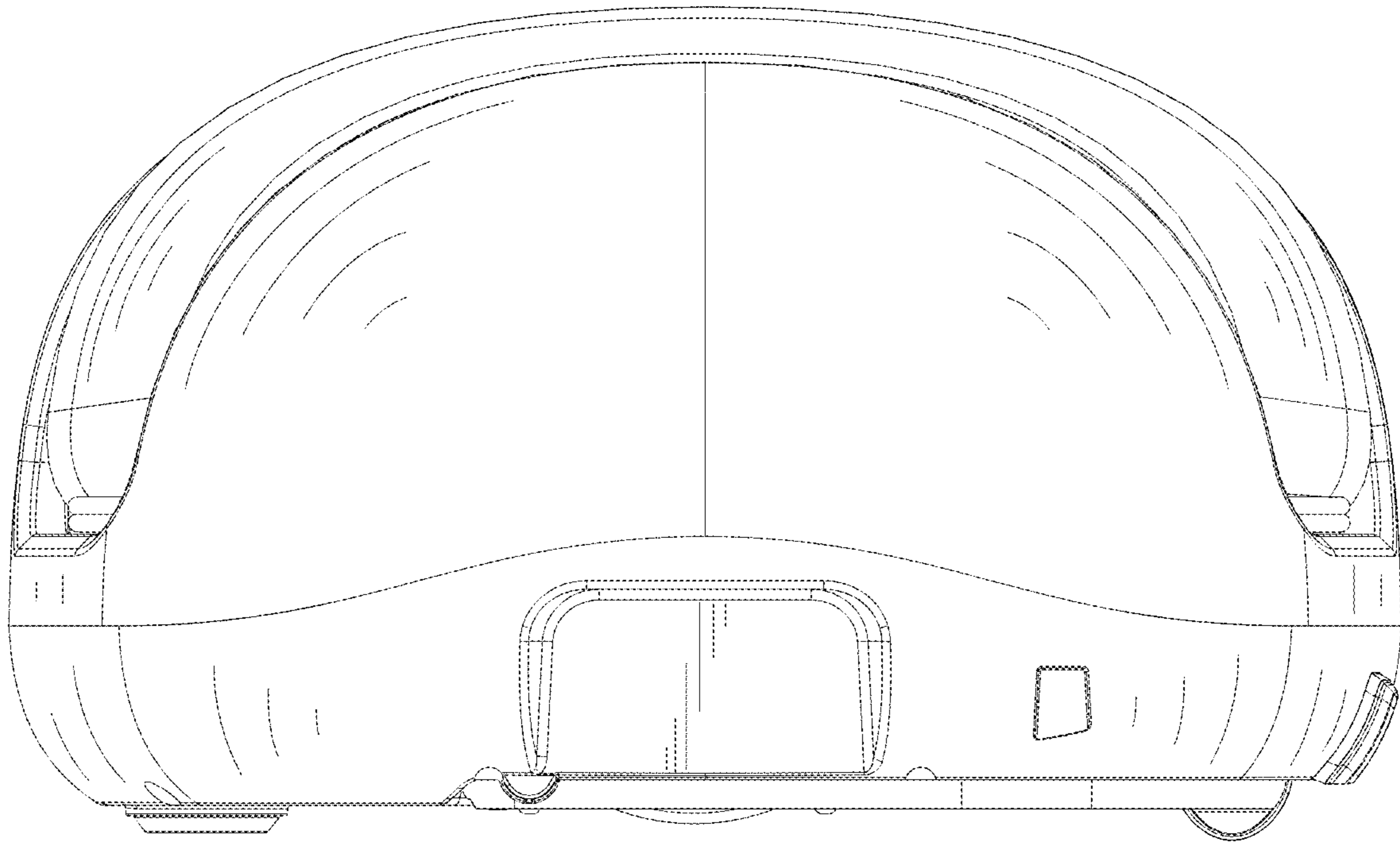


FIG. 6

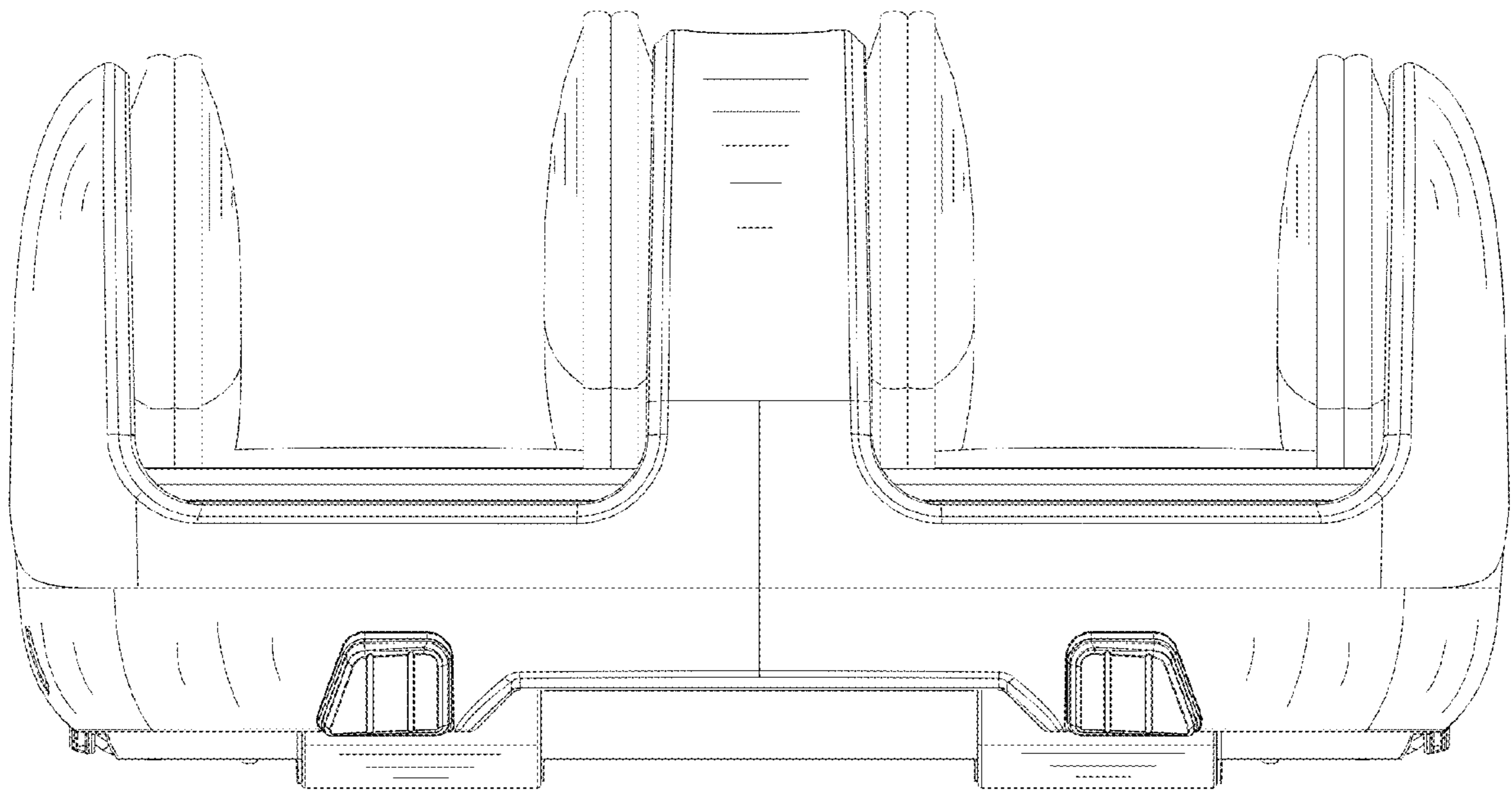


FIG. 7

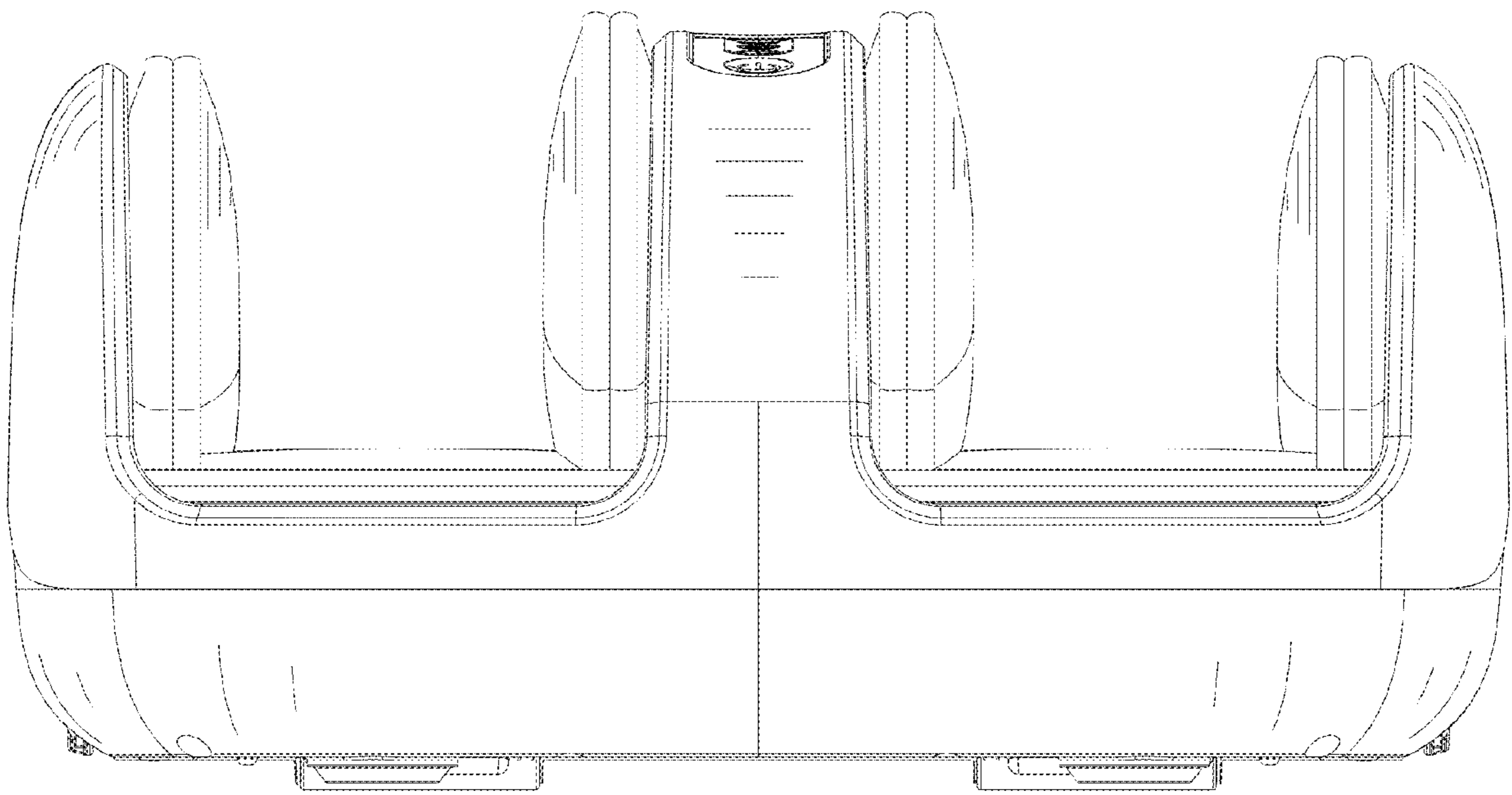


FIG. 8