



US00D948065S

(12) **United States Design Patent**  
**Zhang**

(10) **Patent No.:** **US D948,065 S**

(45) **Date of Patent:** **\*\* Apr. 5, 2022**

(54) **WAX WARMER**

(71) Applicant: **GUANGZHOU YORKMA INDUSTRIAL CO., LTD**, Guangzhou (CN)

(72) Inventor: **Fengrong Zhang**, Guangzhou (CN)

(73) Assignee: **GUANGZHOU YORKMA INDUSTRIAL CO., LTD**, Guangzhou (CN)

(\*\*) Term: **15 Years**

(21) Appl. No.: **29/752,884**

(22) Filed: **Sep. 29, 2020**

(51) **LOC (13) Cl.** ..... **28-03**

(52) **U.S. Cl.**  
USPC ..... **D24/200; D28/44.1**

(58) **Field of Classification Search**  
USPC ..... D28/9, 44, 54.1, 56, 57, 58, 61, 99;  
D23/240; D24/200, 204; D7/629, 709;  
D9/424, 428  
CPC ..... A45D 29/00; A45D 29/18; A45D 29/20;  
A45D 2200/205; A45D 2200/155; A45D  
29/11; A45D 29/14; A45D 26/0014;  
A45D 2026/008; F24H 9/02; A61F 7/007  
See application file for complete search history.

(56) **References Cited**

**U.S. PATENT DOCUMENTS**

6,184,500 B1 \* 2/2001 Glucksman ..... A61H 33/04  
219/430  
D440,662 S \* 4/2001 Ferber ..... D24/200  
D441,455 S \* 5/2001 Feer ..... D24/200  
D442,284 S \* 5/2001 Ferber ..... D24/200  
D449,110 S \* 10/2001 Schmidt ..... D24/200  
D449,696 S \* 10/2001 Sulik ..... D24/200  
D478,384 S \* 8/2003 Lie ..... D24/200  
6,756,567 B1 \* 6/2004 Suen ..... F27B 17/00  
219/424  
D907,233 S \* 1/2021 Wu ..... D24/217

D909,592 S \* 2/2021 Li ..... D24/200  
D933,889 S \* 10/2021 Li ..... D28/44.1  
2003/0003118 A1 \* 1/2003 Boilen ..... A61K 8/31  
424/401  
2017/0135173 A1 \* 5/2017 Huang ..... A45D 29/00

**OTHER PUBLICATIONS**

Paraffin Wax Machine for Hand and Feet, Liflad, reviewed on Jul. 2, 2021, retrieved on Nov. 10, 2021, retrieved from the Internet URL: [https://www.amazon.com/Large-Capacity-Paraffin-Machine-Hand/dp/B08PCQLPXZ/ref=sr\\_1\\_56?keywords=paraffin%2Bwax%2Bmachine&qid=1636575629&sr=8-56&th=1.\\*](https://www.amazon.com/Large-Capacity-Paraffin-Machine-Hand/dp/B08PCQLPXZ/ref=sr_1_56?keywords=paraffin%2Bwax%2Bmachine&qid=1636575629&sr=8-56&th=1.*)

\* cited by examiner

*Primary Examiner* — Jennifer Rivard

*Assistant Examiner* — Alison M Ofstun

(74) *Attorney, Agent, or Firm* — Westbridge IP LLC

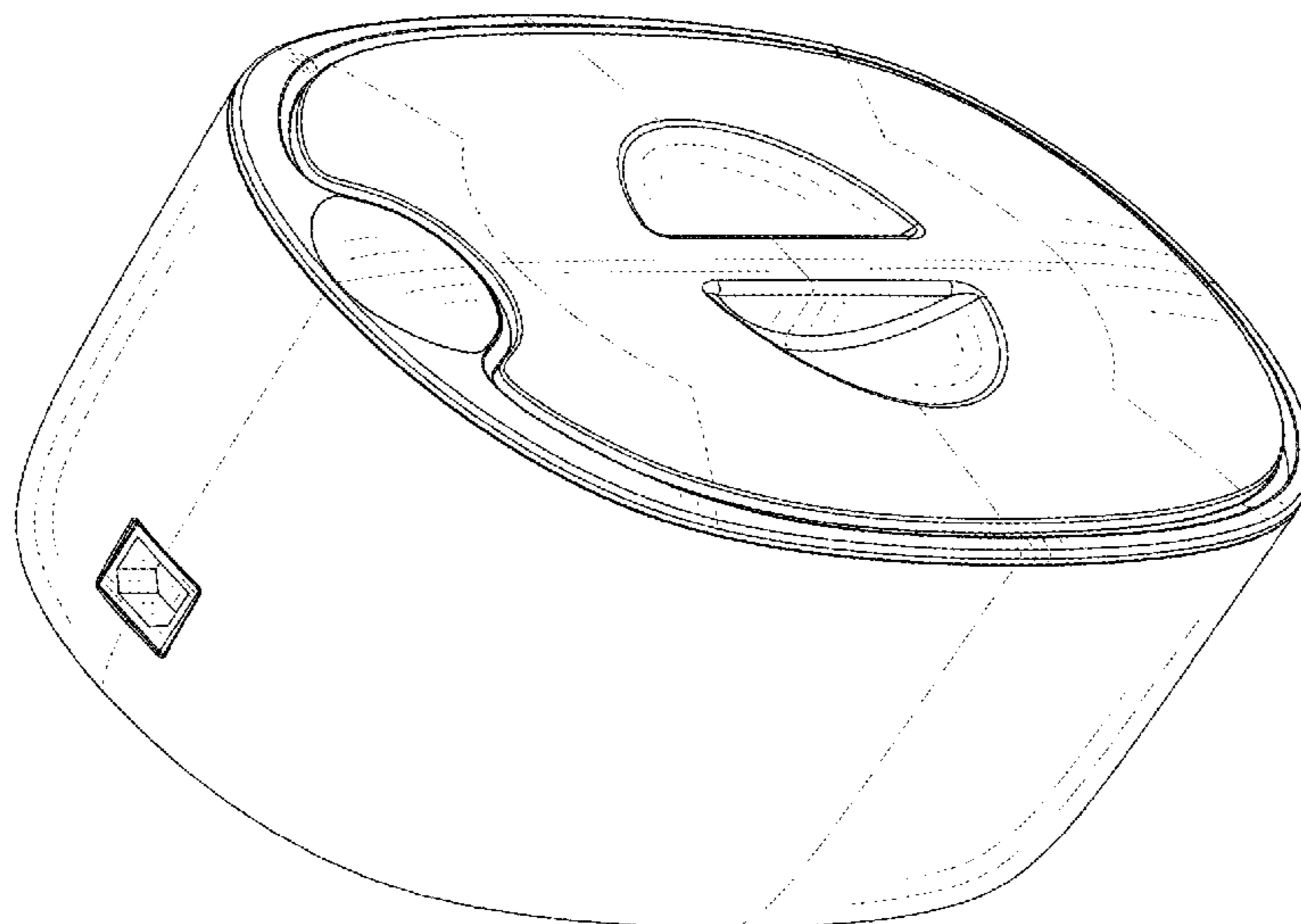
(57) **CLAIM**

The ornamental design for a wax warmer, as shown and described.

**DESCRIPTION**

FIG. 1 is a top perspective view of a wax warmer showing my new design;  
FIG. 2 is a bottom perspective view thereof;  
FIG. 3 is a front elevational view thereof;  
FIG. 4 is a rear elevational view thereof;  
FIG. 5 is a left side view thereof;  
FIG. 6 is a right side view thereof;  
FIG. 7 is a top plan view thereof;  
FIG. 8 is a bottom plan view thereof;  
FIG. 9 is an enlarged view of portion 9 of FIG. 2; and,  
FIG. 10 is an enlarged view of portion 10 of FIG. 8.  
The broken lines in the figures depict portions of the wax warmer that form no part of the claimed design.

**1 Claim, 10 Drawing Sheets**



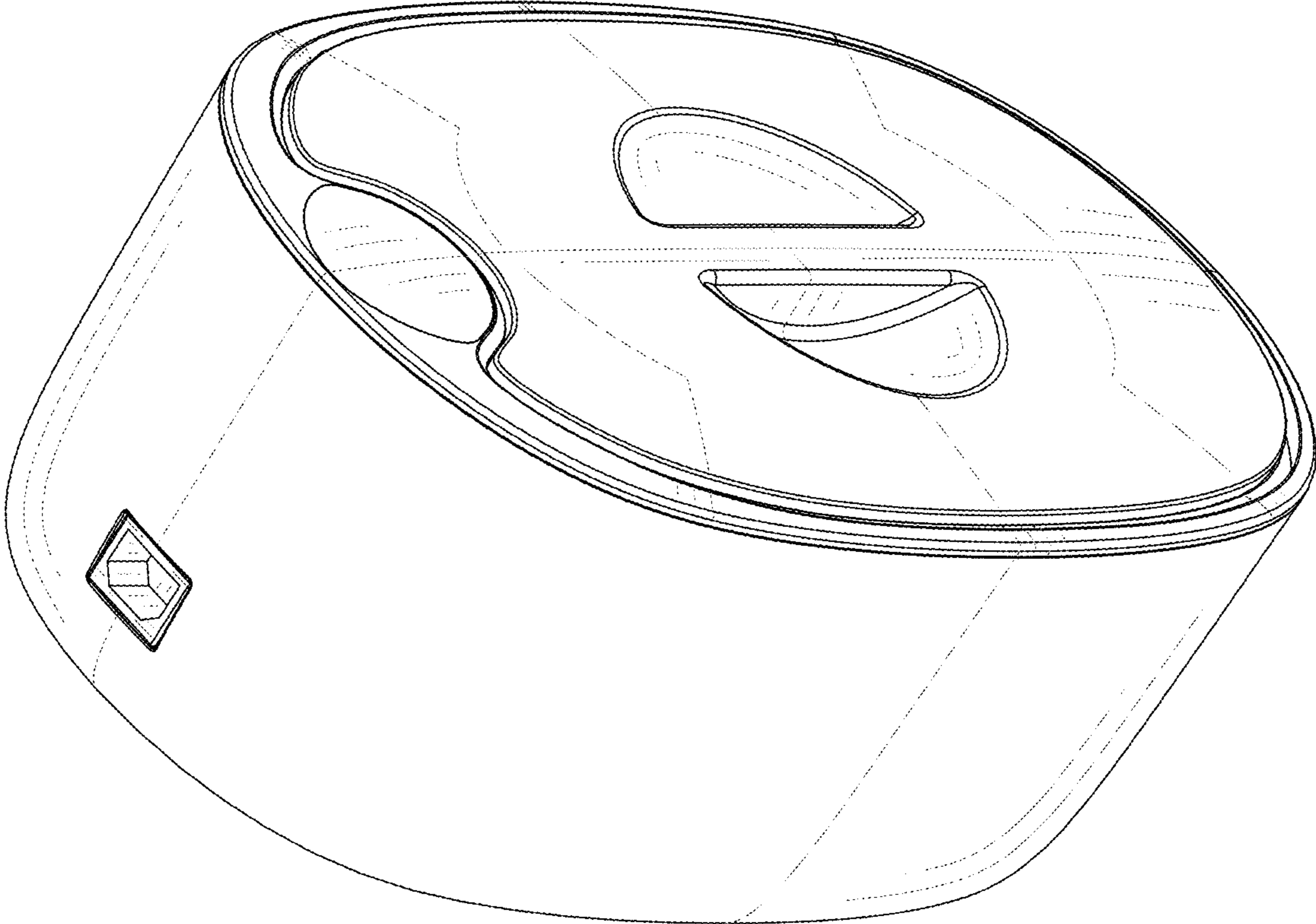


FIG. 1

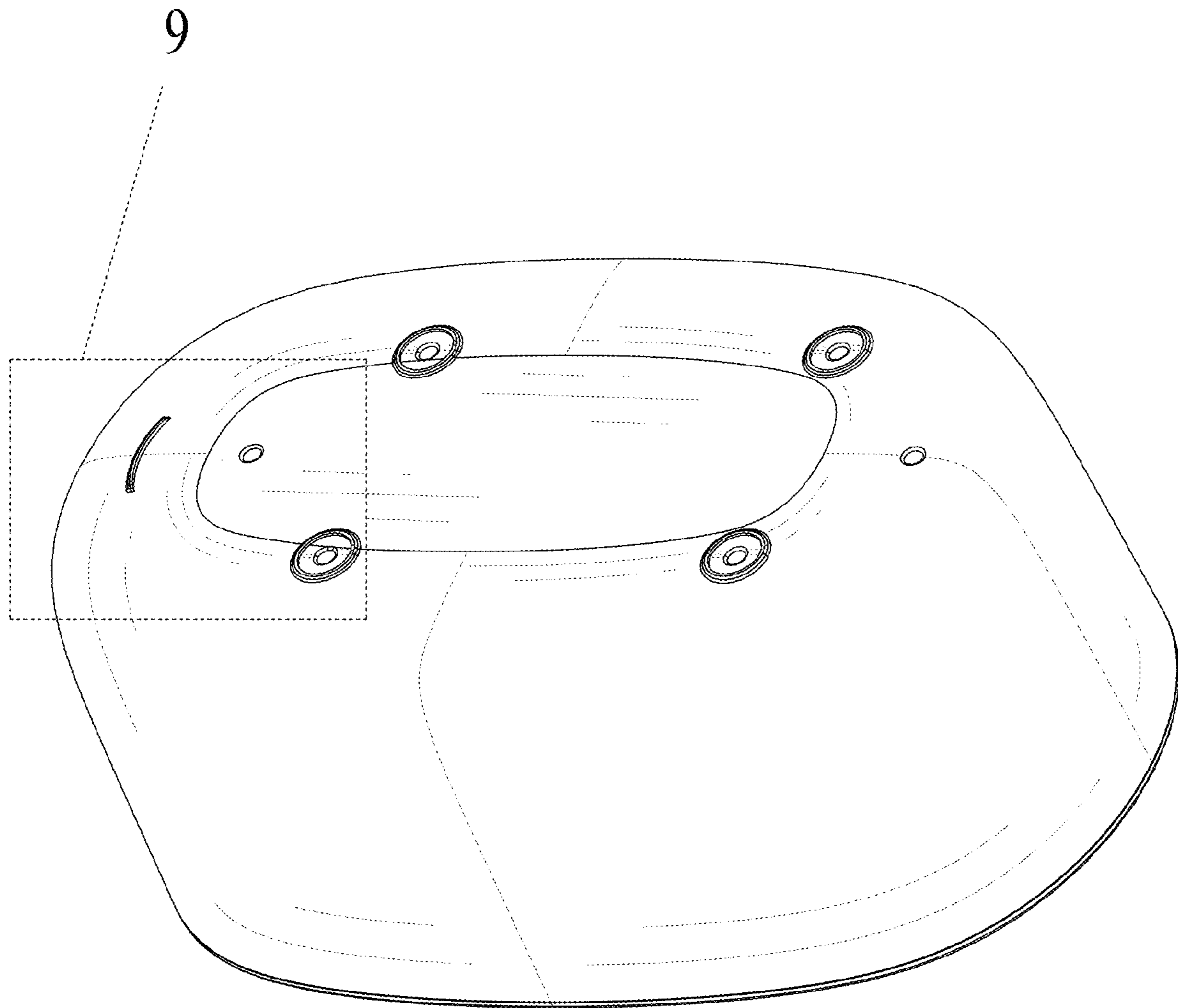


FIG. 2

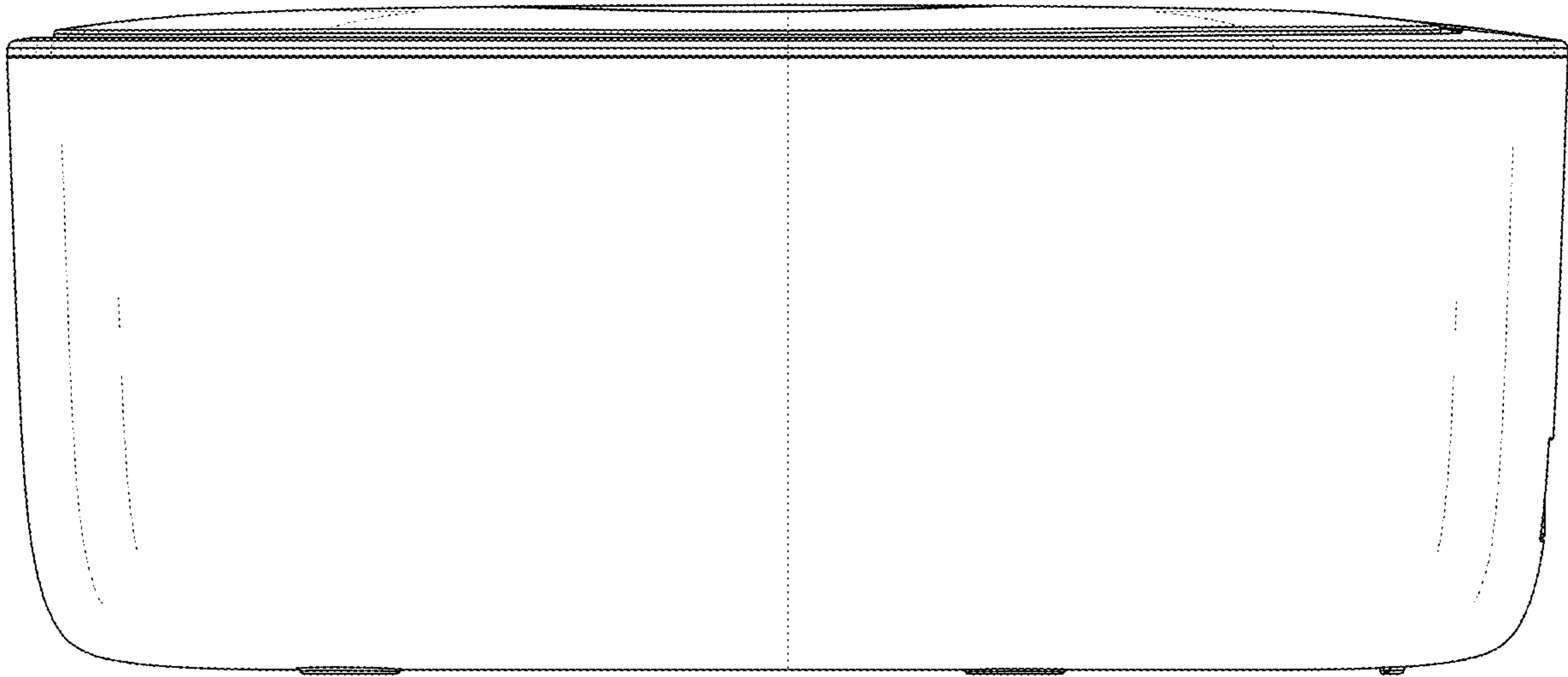


FIG. 3

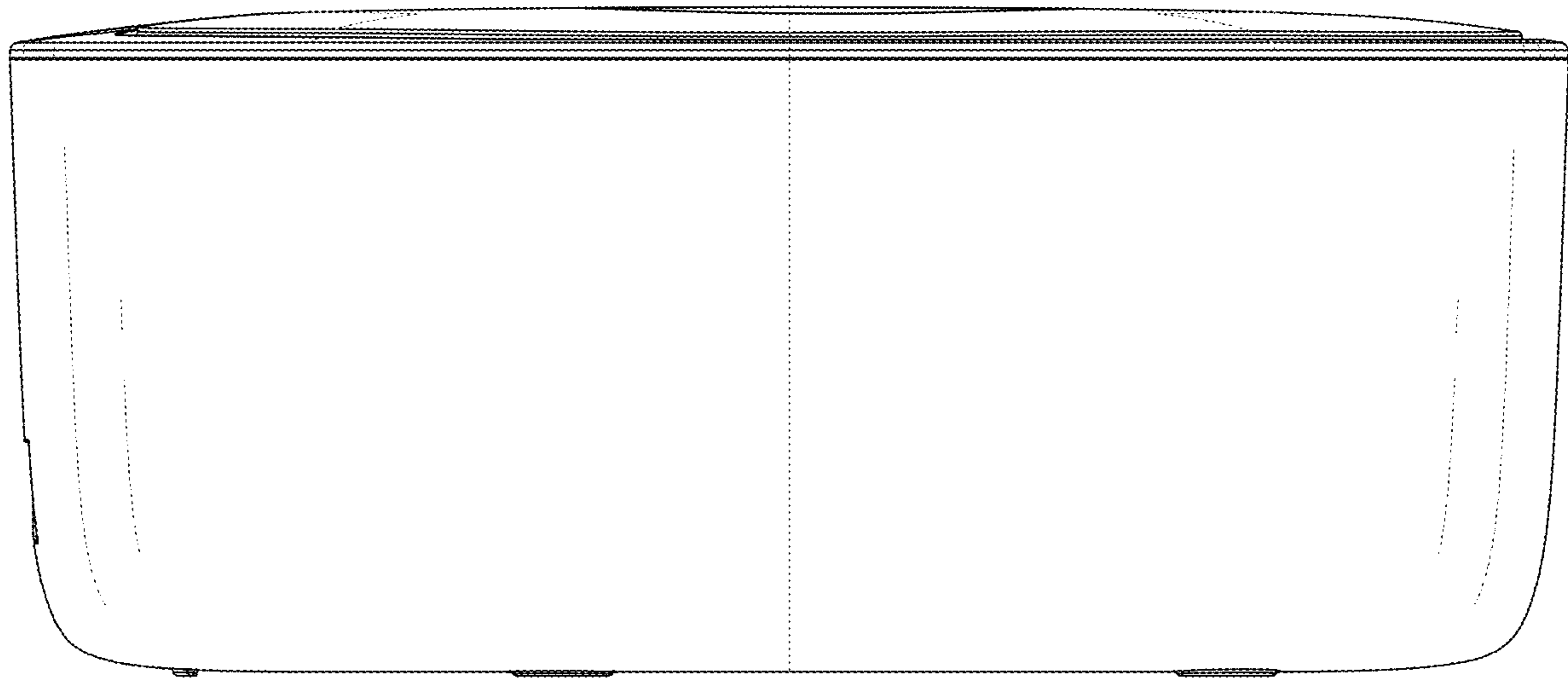


FIG. 4

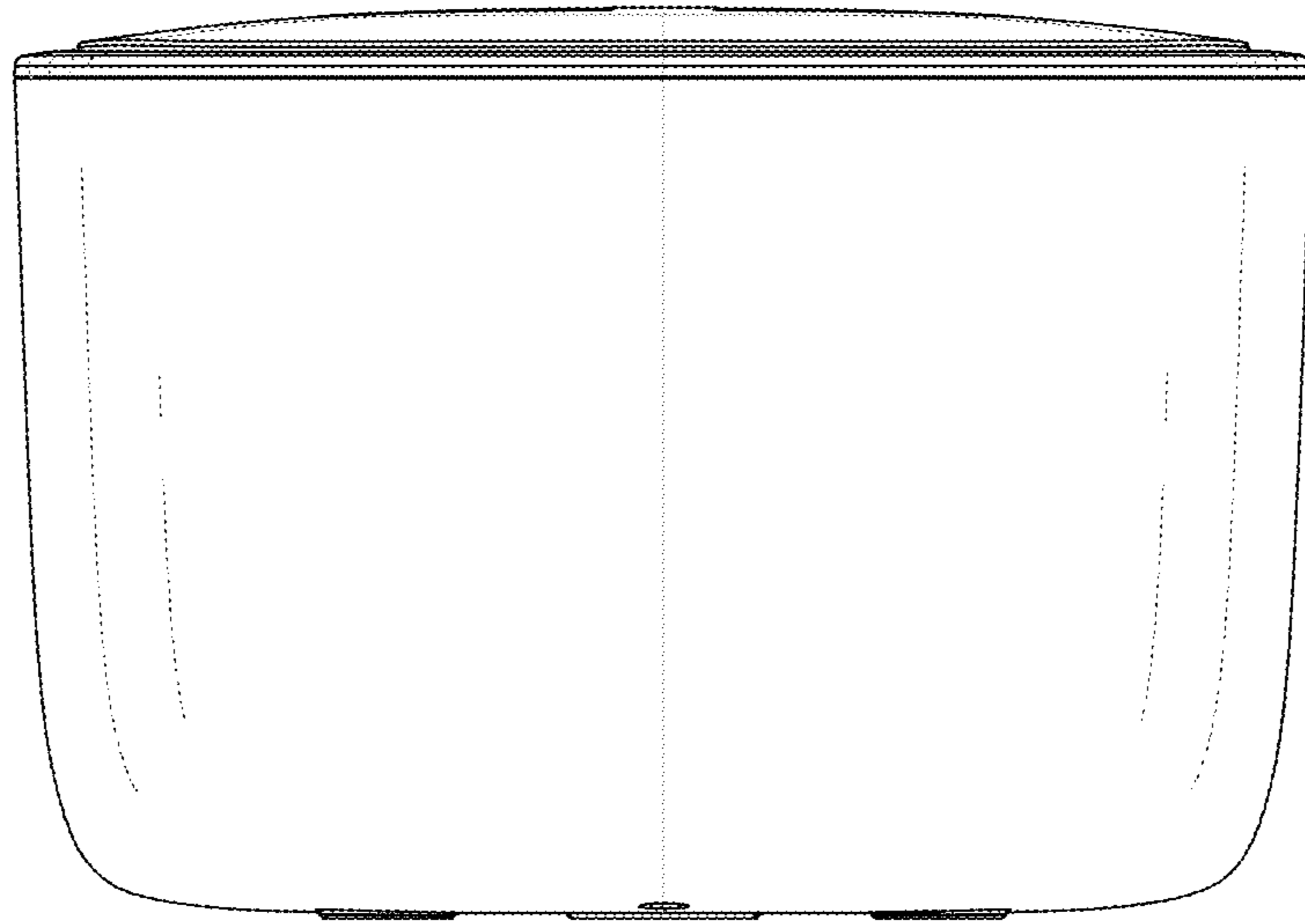


FIG. 5

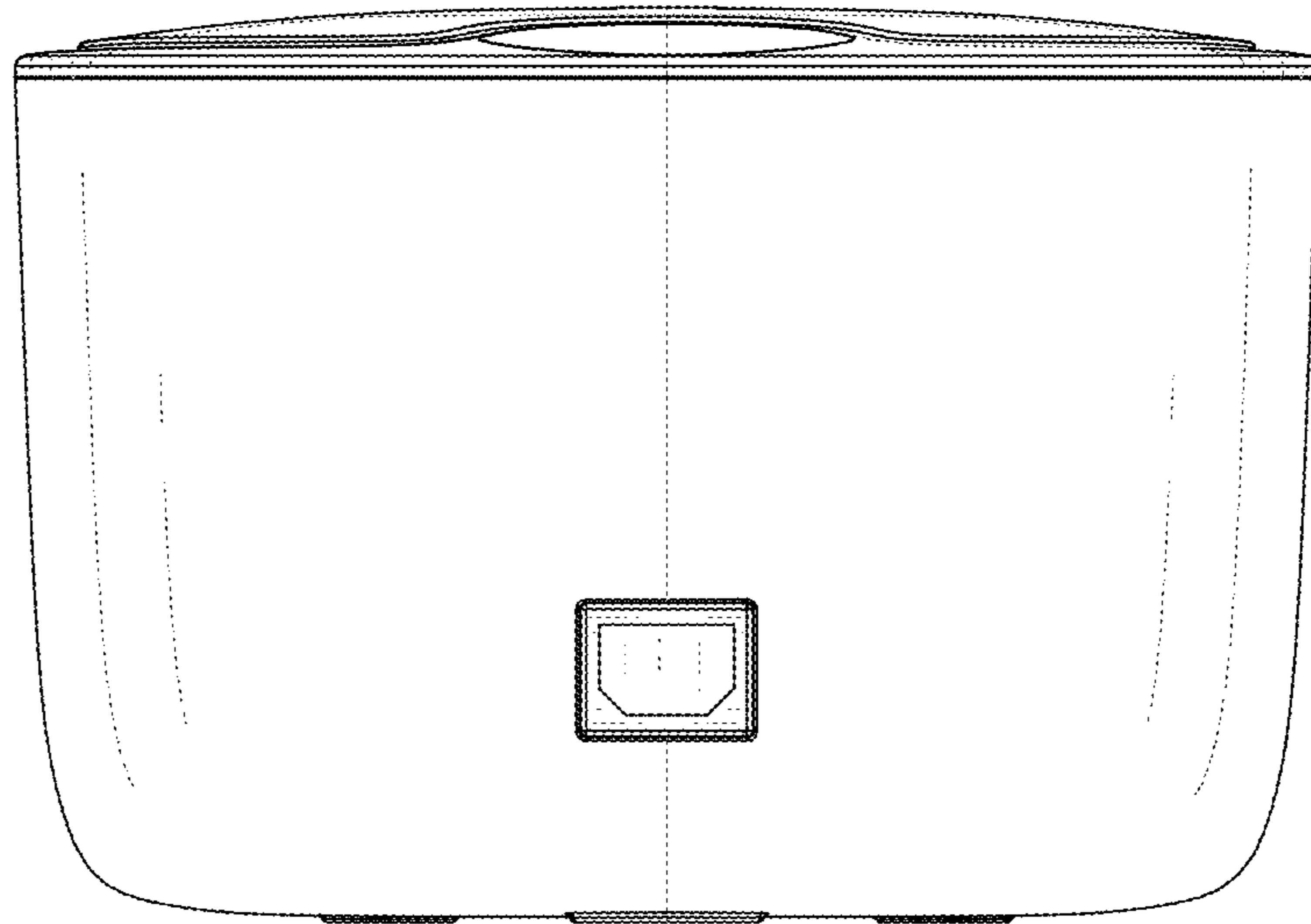


FIG. 6

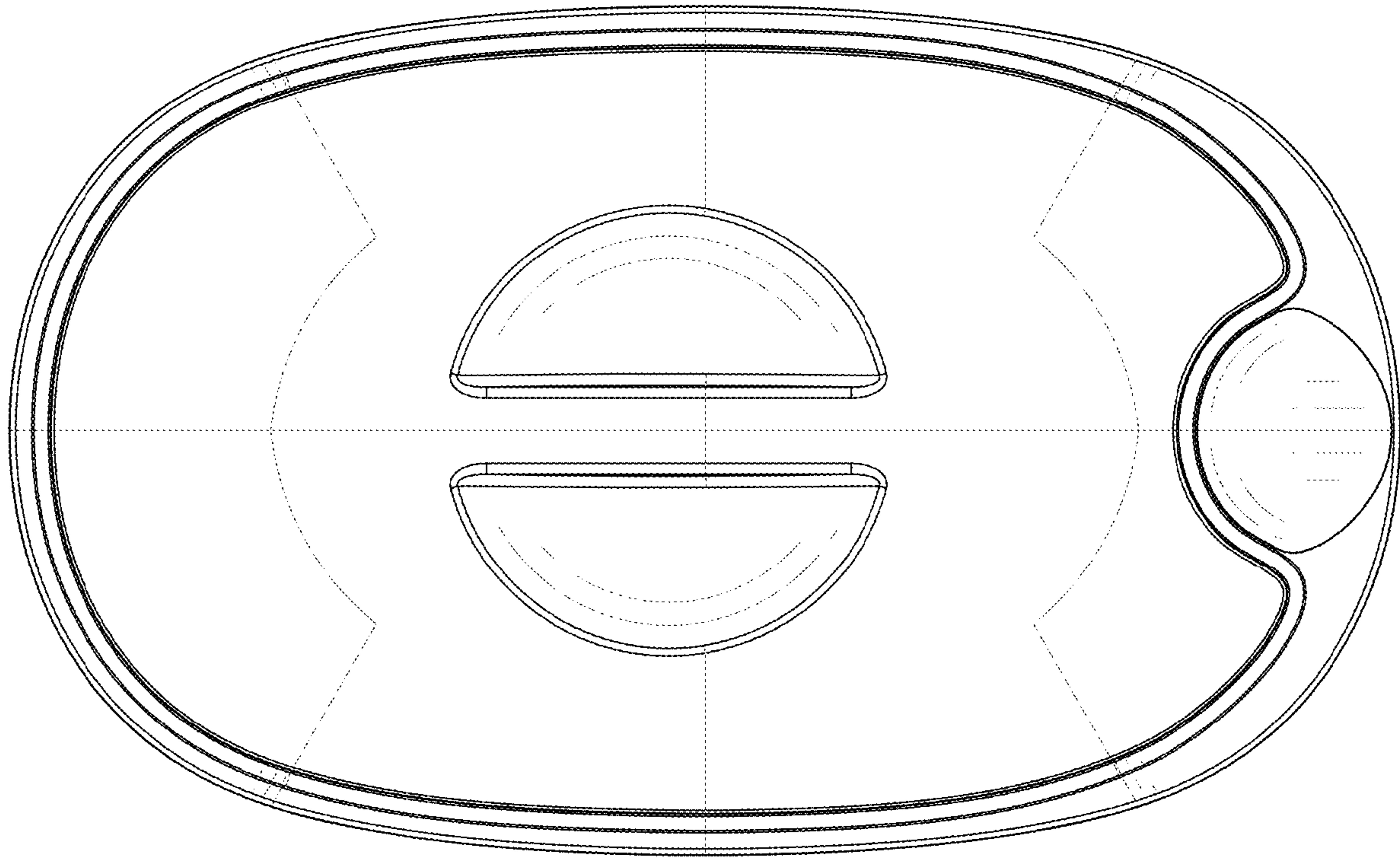


FIG. 7



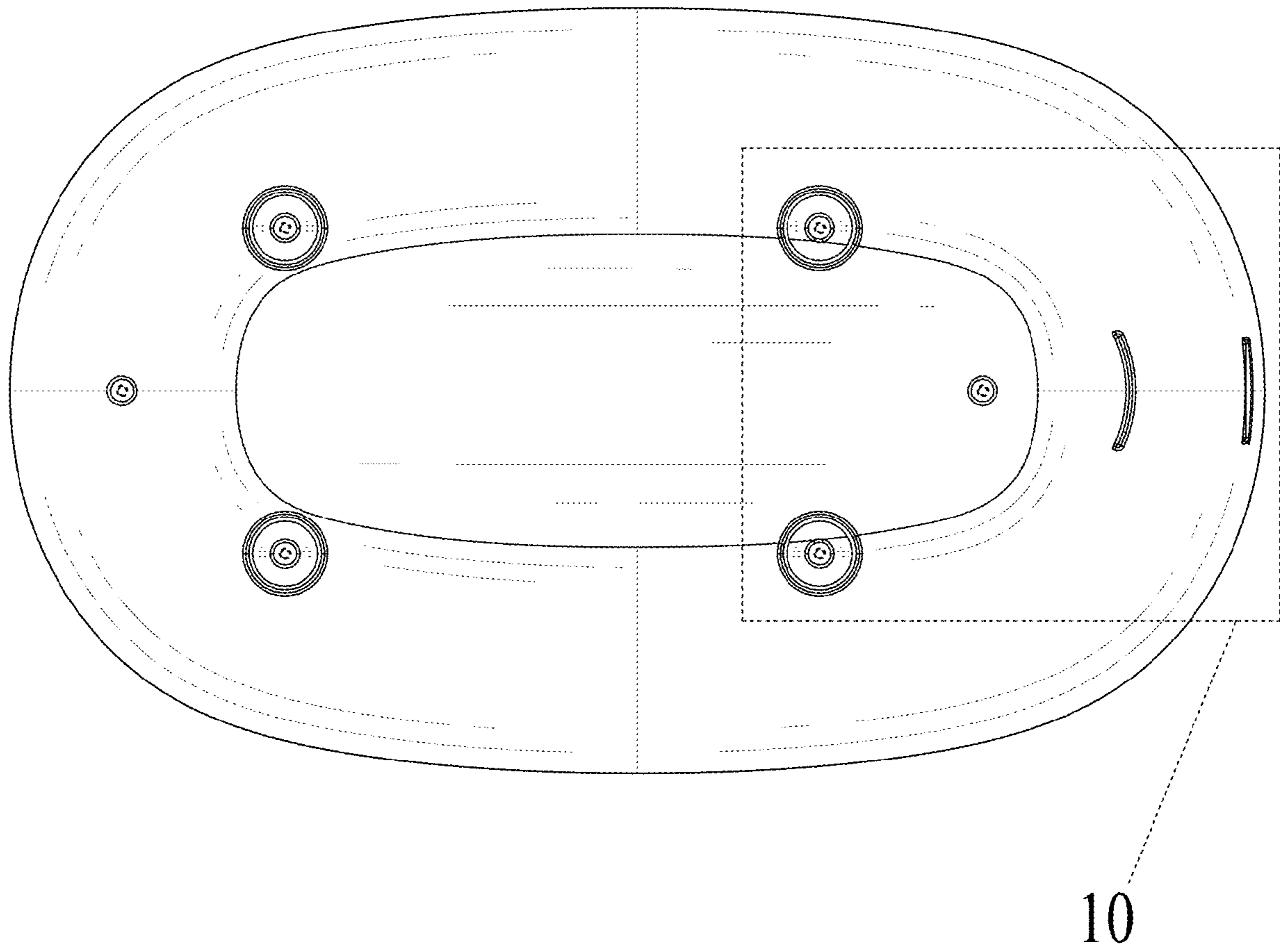


FIG. 8

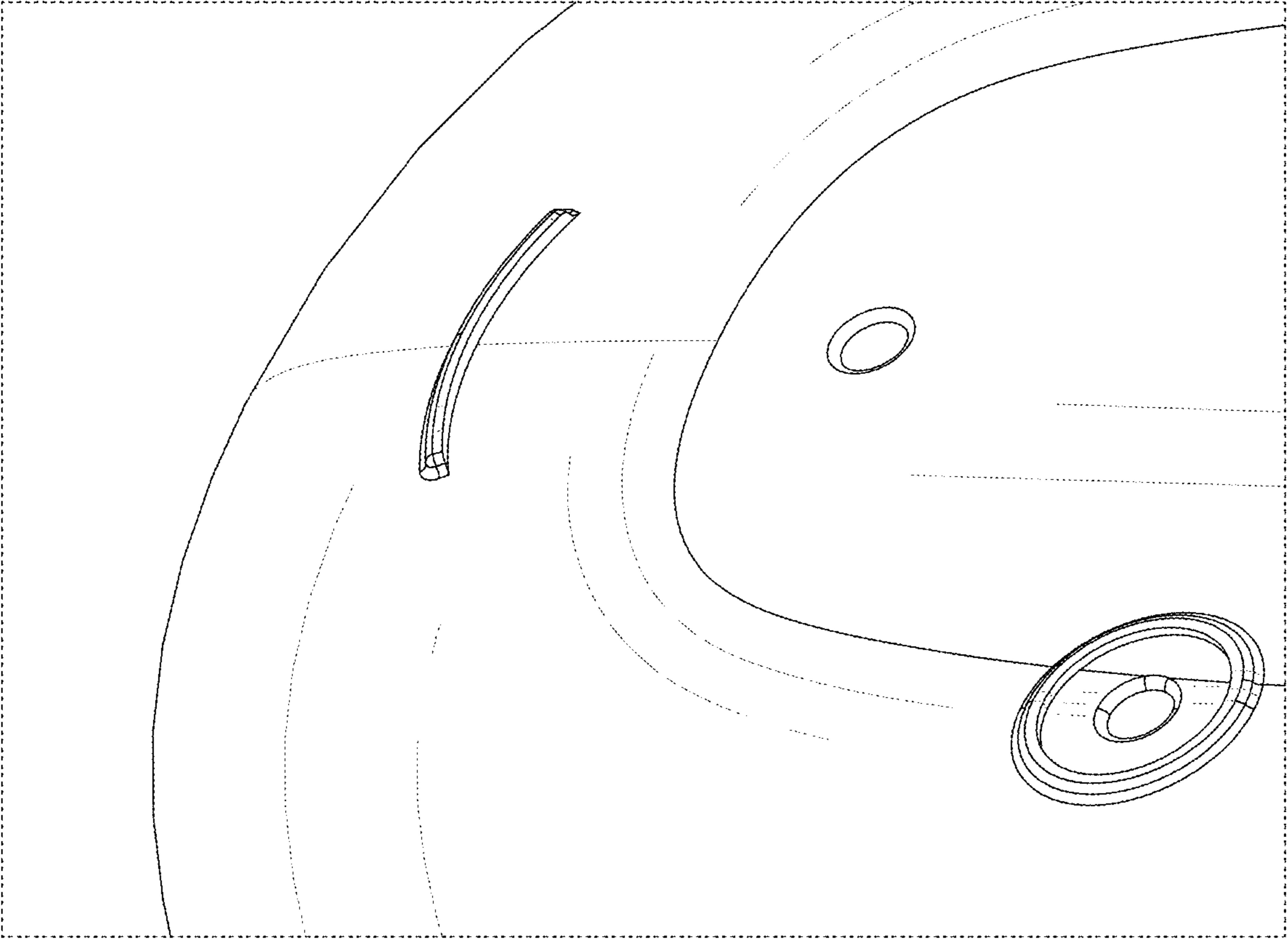


FIG. 9

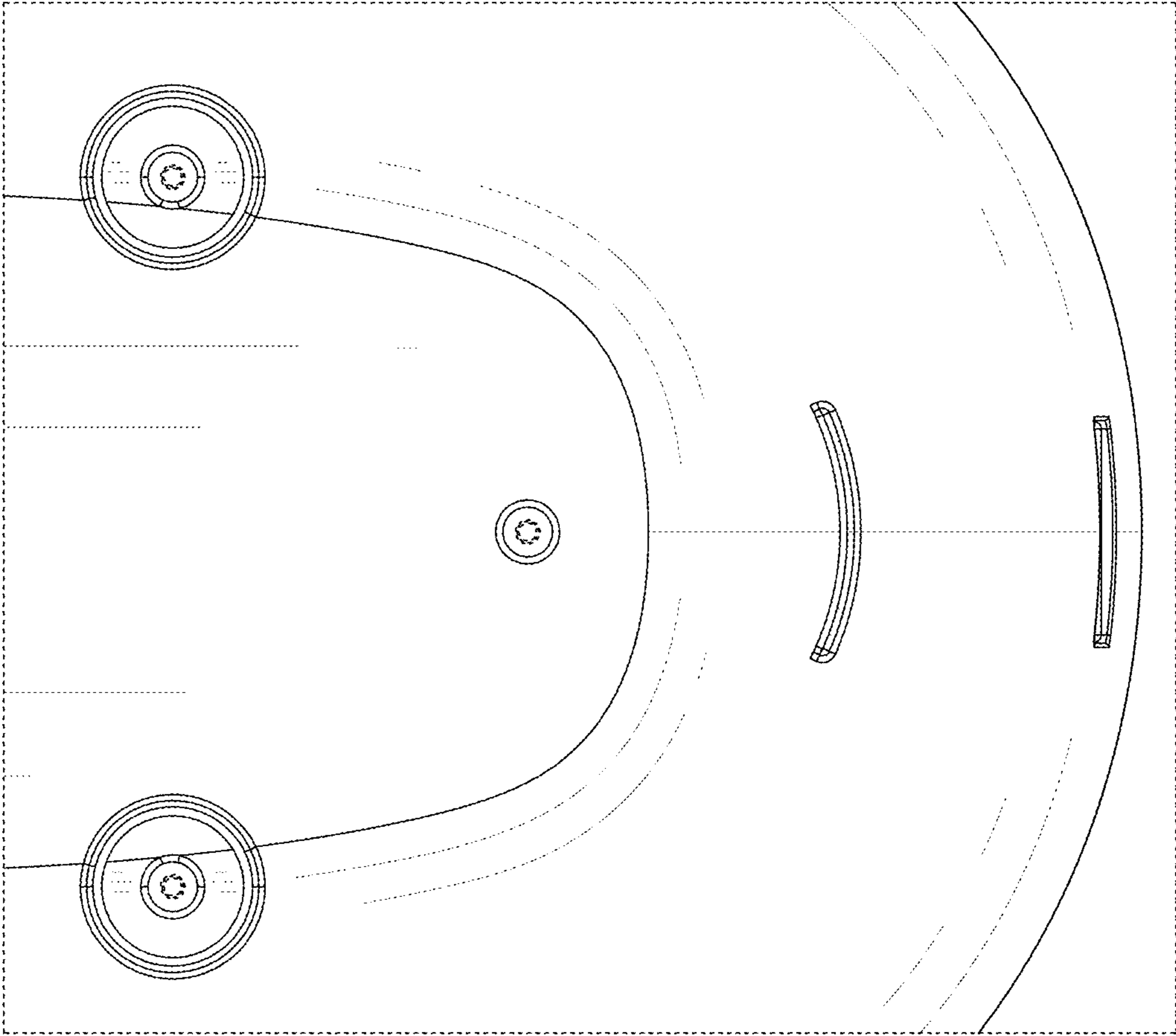


FIG. 10