



US00D948060S

(12) **United States Design Patent**  
**Szparski**

(10) **Patent No.:** **US D948,060 S**

(45) **Date of Patent:** **\*\* Apr. 5, 2022**

- (54) **SET OF MEDICAL CUSHIONS**
- (71) Applicant: **OMST, LLC**, Sunrise, FL (US)
- (72) Inventor: **Olivia Szparski**, Fort Lauderdale, FL (US)
- (\*\*) Term: **15 Years**
- (21) Appl. No.: **29/747,411**
- (22) Filed: **Aug. 21, 2020**
- (51) **LOC (13) Cl.** ..... **24-02**
- (52) **U.S. Cl.**  
USPC ..... **D24/190**; D24/184
- (58) **Field of Classification Search**  
USPC ..... D24/183, 184, 190-192; D29/120.1, D29/121.1, 122, 121.2; D6/596-604  
CPC .... A61F 5/0111; A61F 5/0127; A61F 13/066; A61F 2/6607; A61F 5/37; A47G 9/10; A47C 20/021; A47C 20/023; A47C 16/00; A47C 20/026; A47C 20/027; A61G 7/0755; A61G 13/121; A61G 7/075; A61G 13/1235  
See application file for complete search history.

- D898,434 S \* 10/2020 Ponder ..... D6/601
- D908,392 S \* 1/2021 Despen ..... D6/601
- D931,651 S \* 9/2021 Chen ..... D6/601

(Continued)

**OTHER PUBLICATIONS**

BBL Pillow After Surgery Butt Pillows Brazilian Butt Lift Booty Post Recovery for Sitting Driving Chair Seat Cushion Back Support Kit Set for Women. Online, published date Dec. 1, 2020. Retrieved on Oct. 6, 2021 from URL: <https://www.amazon.com/Surgery-Pillows-Brazilian-Recovery-Sitting/dp/B08PCX2WZ6>.

(Continued)

*Primary Examiner* — Omeed Agilee

(74) *Attorney, Agent, or Firm* — Derek Fahey, Esq.; The Plus IP Firm, PLLC

(57) **CLAIM**

The ornamental design for a set of medical cushions, as shown and described.

**DESCRIPTION**

FIG. 1 is a perspective view of a set of medical cushions in use on a chair;  
FIG. 2 is a front view of the set of medical cushions thereof;  
FIG. 3 is a front perspective view of the set of medical cushions without the unclaimed chair;  
FIG. 4 is a front view thereof;  
FIG. 5 is a back view thereof;  
FIG. 6 is a first side view thereof;  
FIG. 7 is a second side view thereof;  
FIG. 8 is a top view thereof; and,  
FIG. 9 is a bottom view thereof.

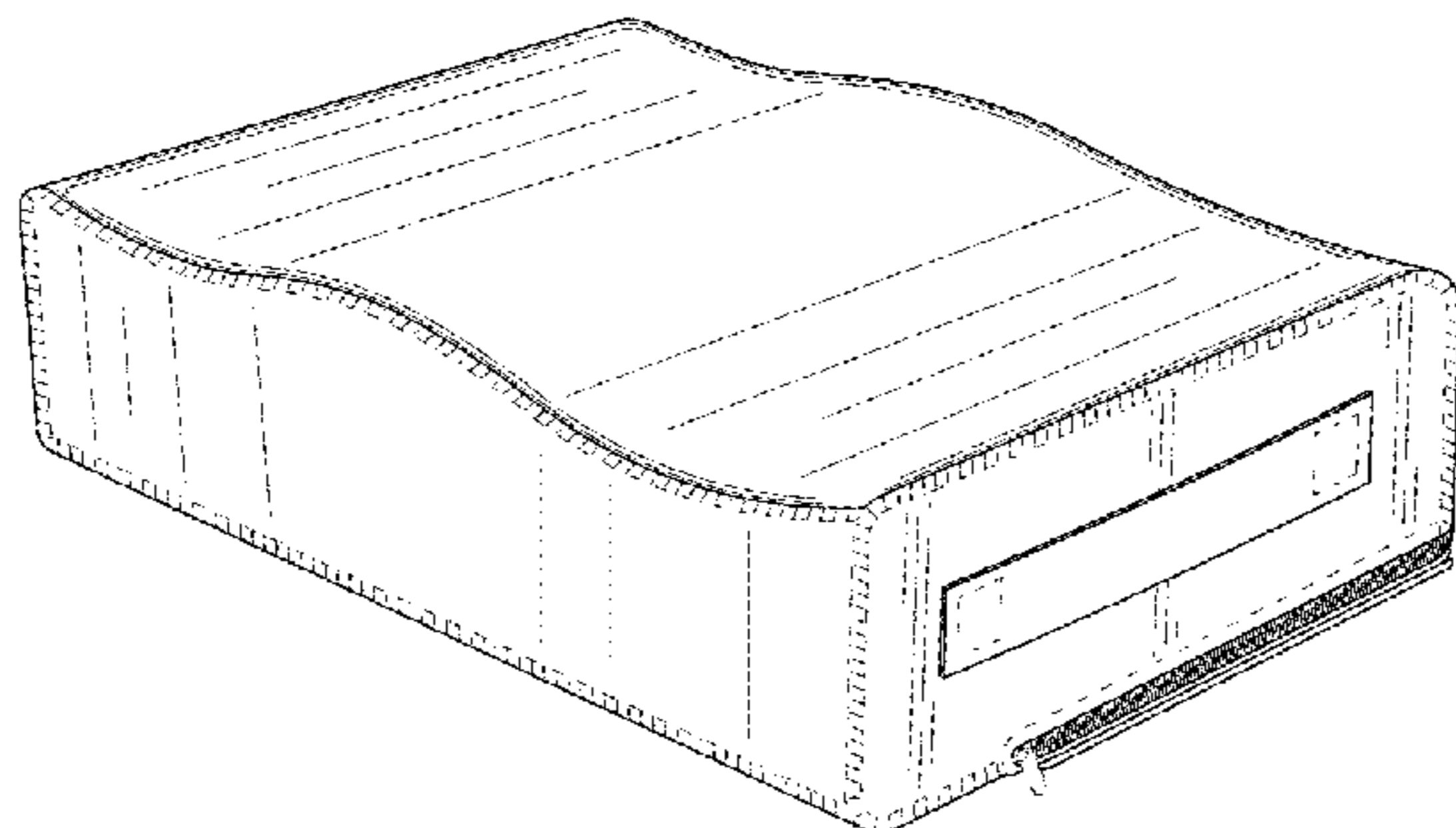
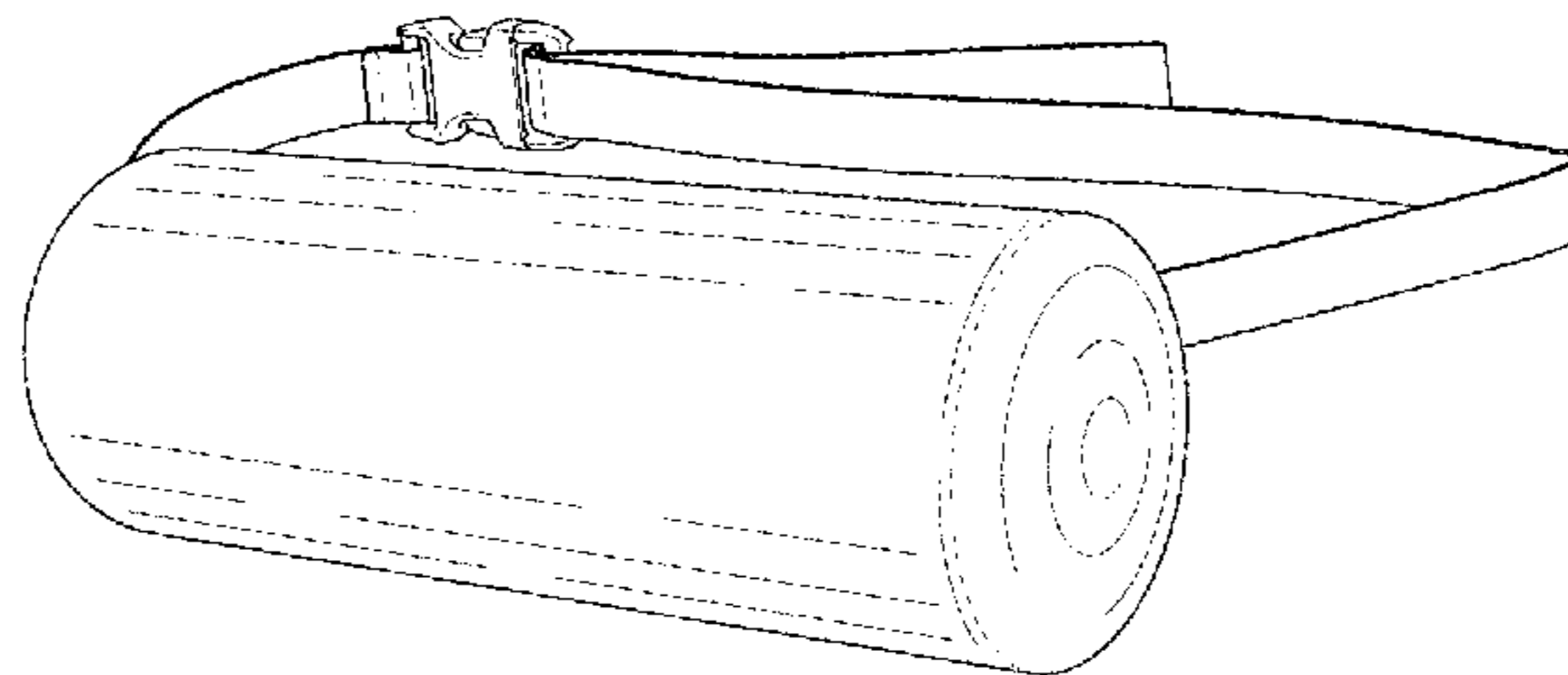
The dash lines in FIGS. 1-2 in form of a chair depict environmental subject matter and form no part of the claimed design. The rest of the dash lines in the drawings depict portions of the set of medical cushions that form no part of the claimed design.

**1 Claim, 9 Drawing Sheets**

(56) **References Cited**

**U.S. PATENT DOCUMENTS**

- D296,930 S \* 7/1988 Carabelli ..... D24/190
- D368,524 S \* 4/1996 Reedus ..... D24/183
- D447,805 S \* 9/2001 Siegal ..... D24/183
- 6,435,617 B1 \* 8/2002 McNair ..... B60N 2/882  
297/397
- D489,458 S \* 5/2004 Joseph ..... D24/192
- 6,783,175 B1 \* 8/2004 Henderson ..... A45F 4/06  
297/219.1
- D531,315 S \* 10/2006 Caudra ..... D24/183
- D670,122 S \* 11/2012 Childress ..... D6/601
- D679,929 S \* 4/2013 DiBernardo ..... D6/601
- D871,593 S \* 12/2019 Rossouw ..... D24/190
- D897,546 S \* 9/2020 Gowanlock ..... D24/190



(56)

**References Cited**

U.S. PATENT DOCUMENTS

2015/0164727 A1\* 6/2015 Lopez ..... A61G 5/1091  
5/653

OTHER PUBLICATIONS

Brazilian Butt Lift Recovery Pillow, BBL Recovery Pillow, Butt Pillow, Butt Augmentation Recovery Pillow, Post Recovery Brazilian Butt Lift Pillow. Online, published date unknown. Retrieved on Oct. 6, 2021 from URL: <https://www.amazon.ca/Brazilian-Recovery-Pillow-BBL-Augmentation/dp/B07ZZD23PM>.\*

\* cited by examiner

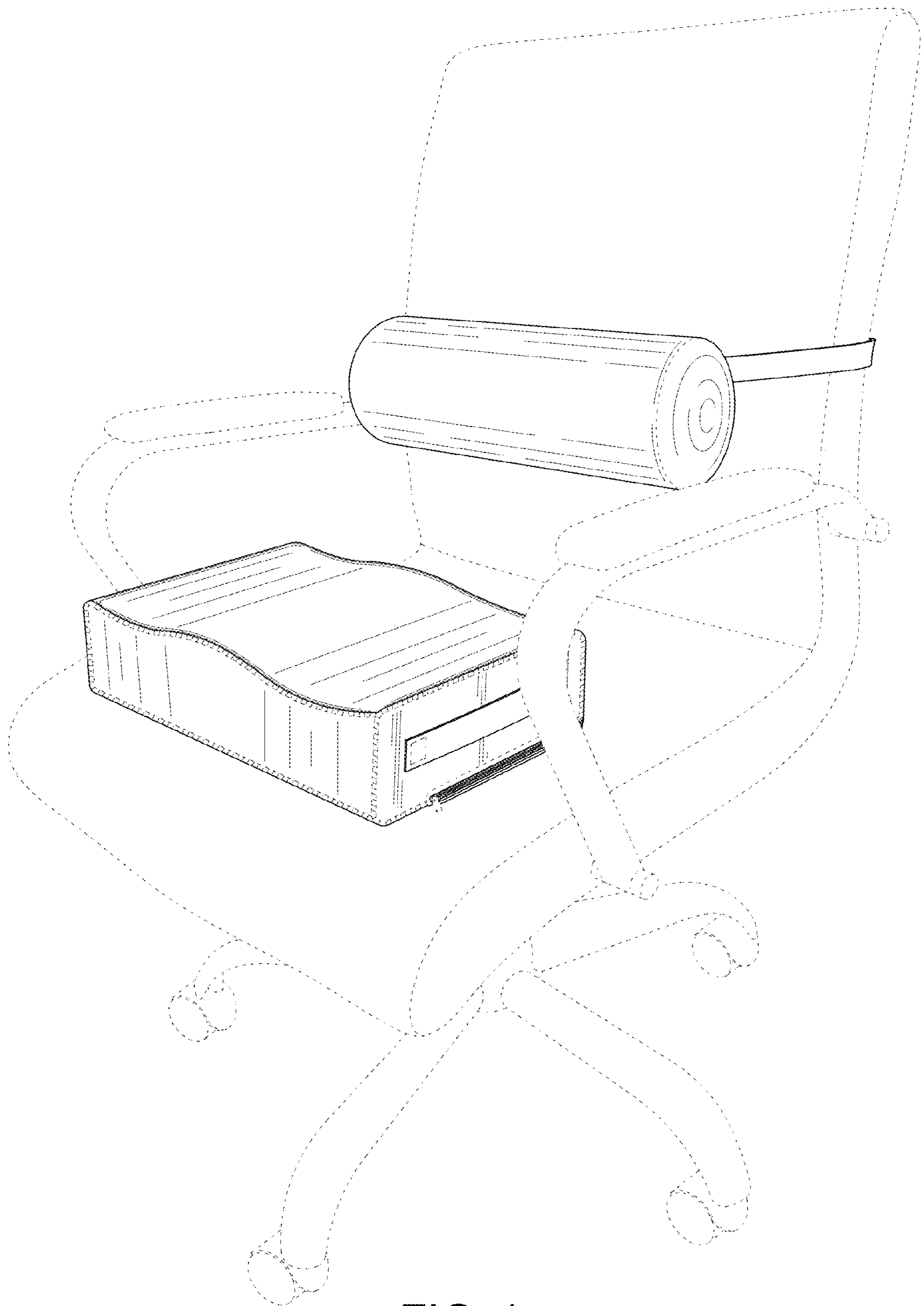


FIG. 1

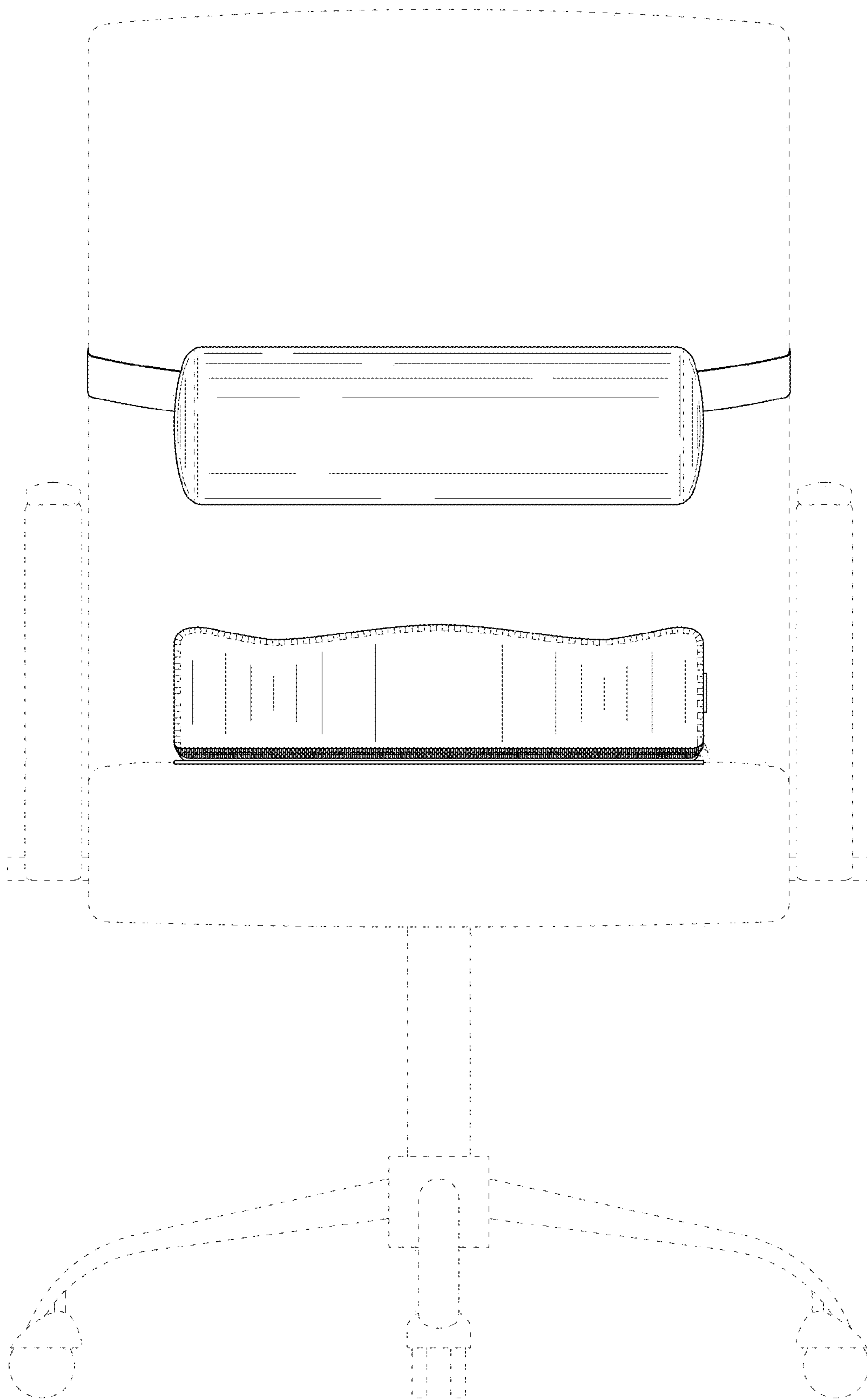


FIG. 2

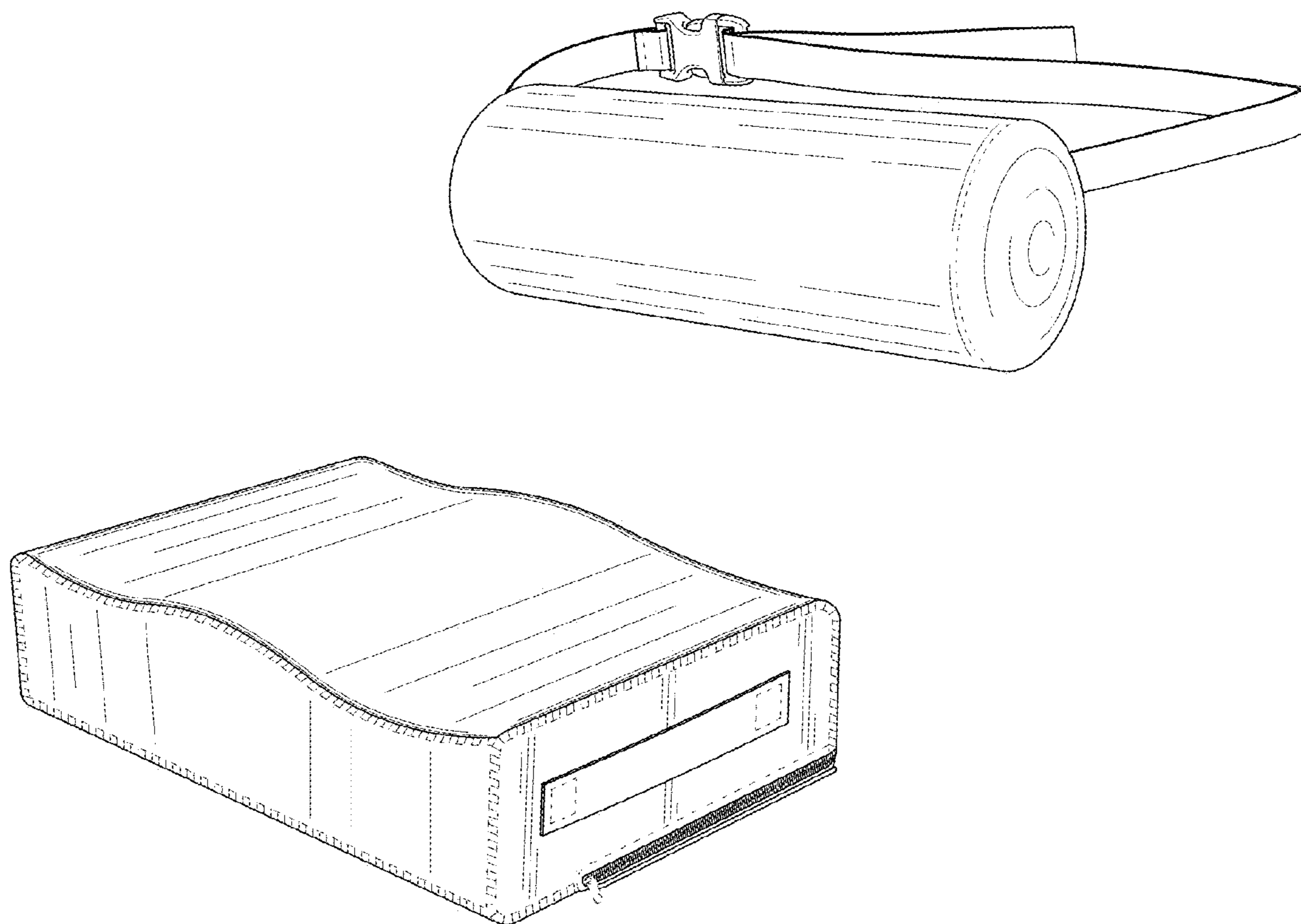


FIG. 3

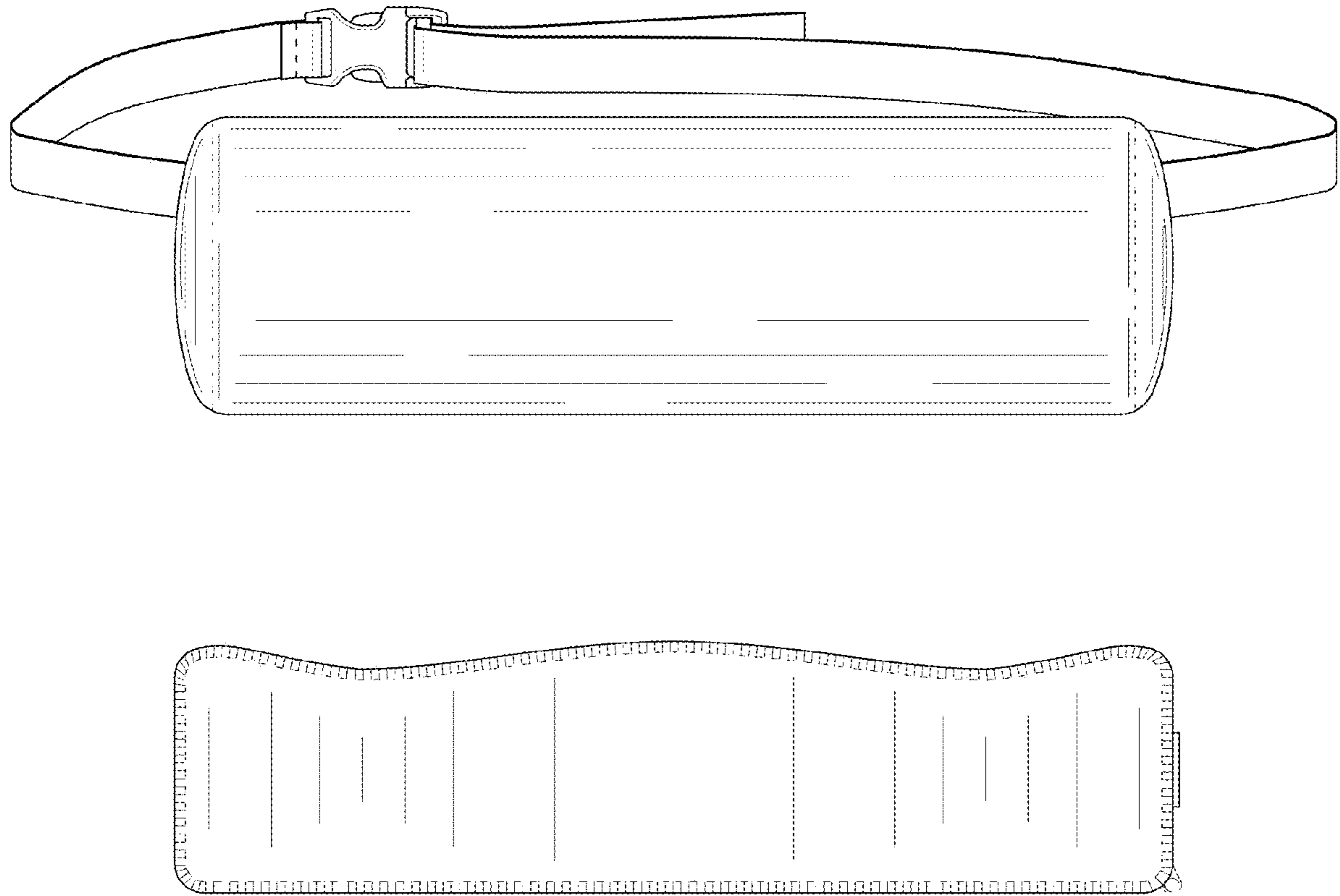


FIG. 4



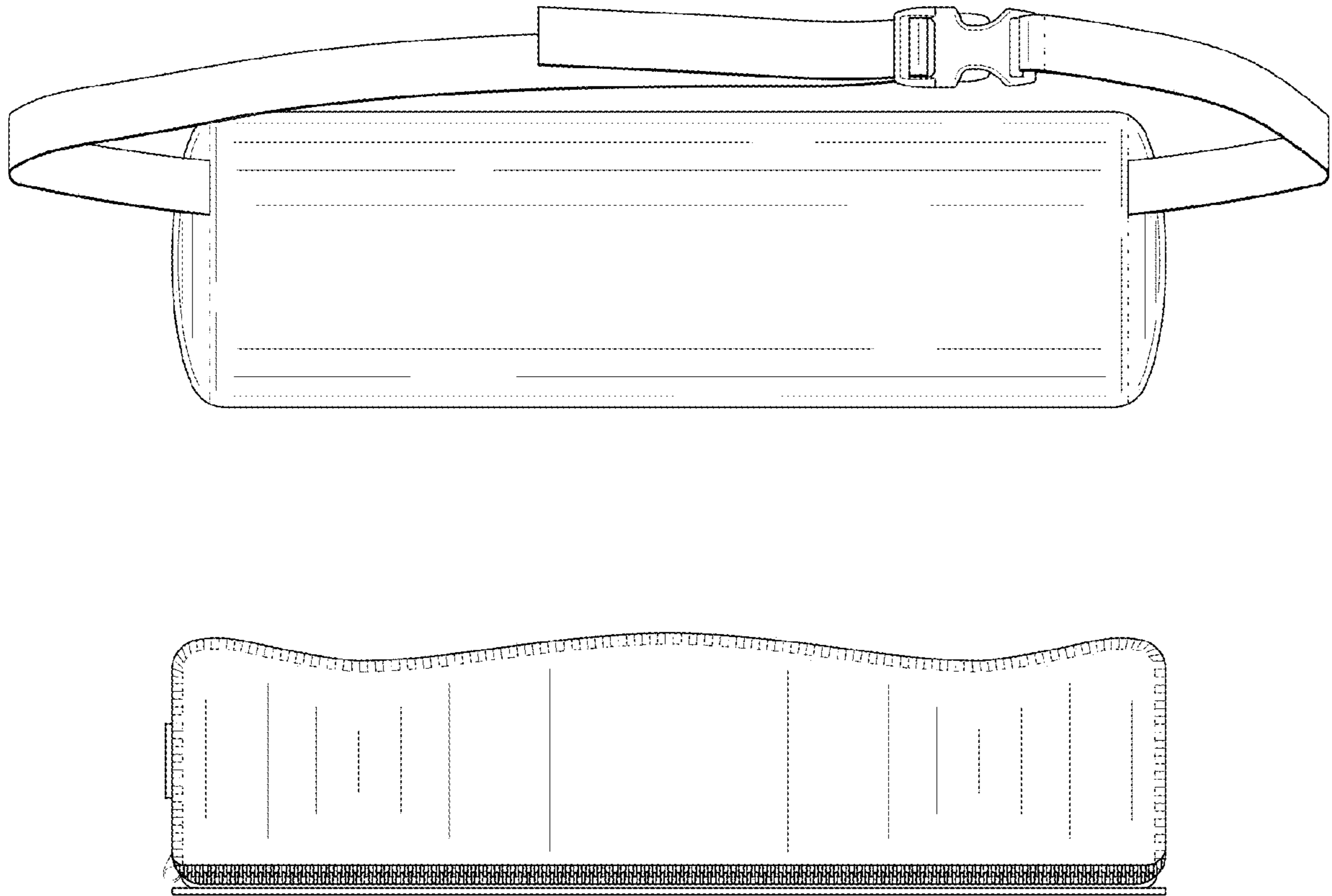


FIG. 5

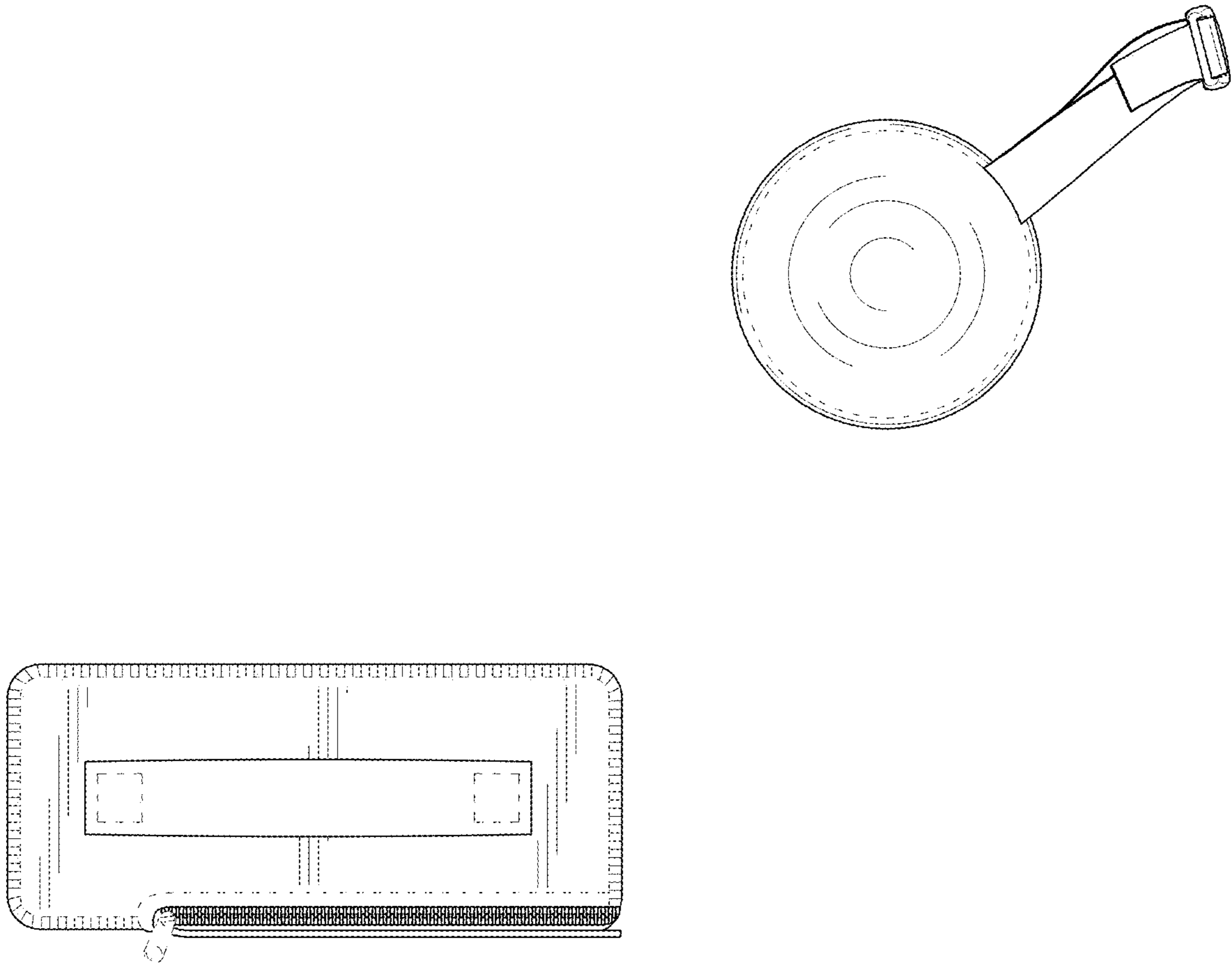


FIG. 6



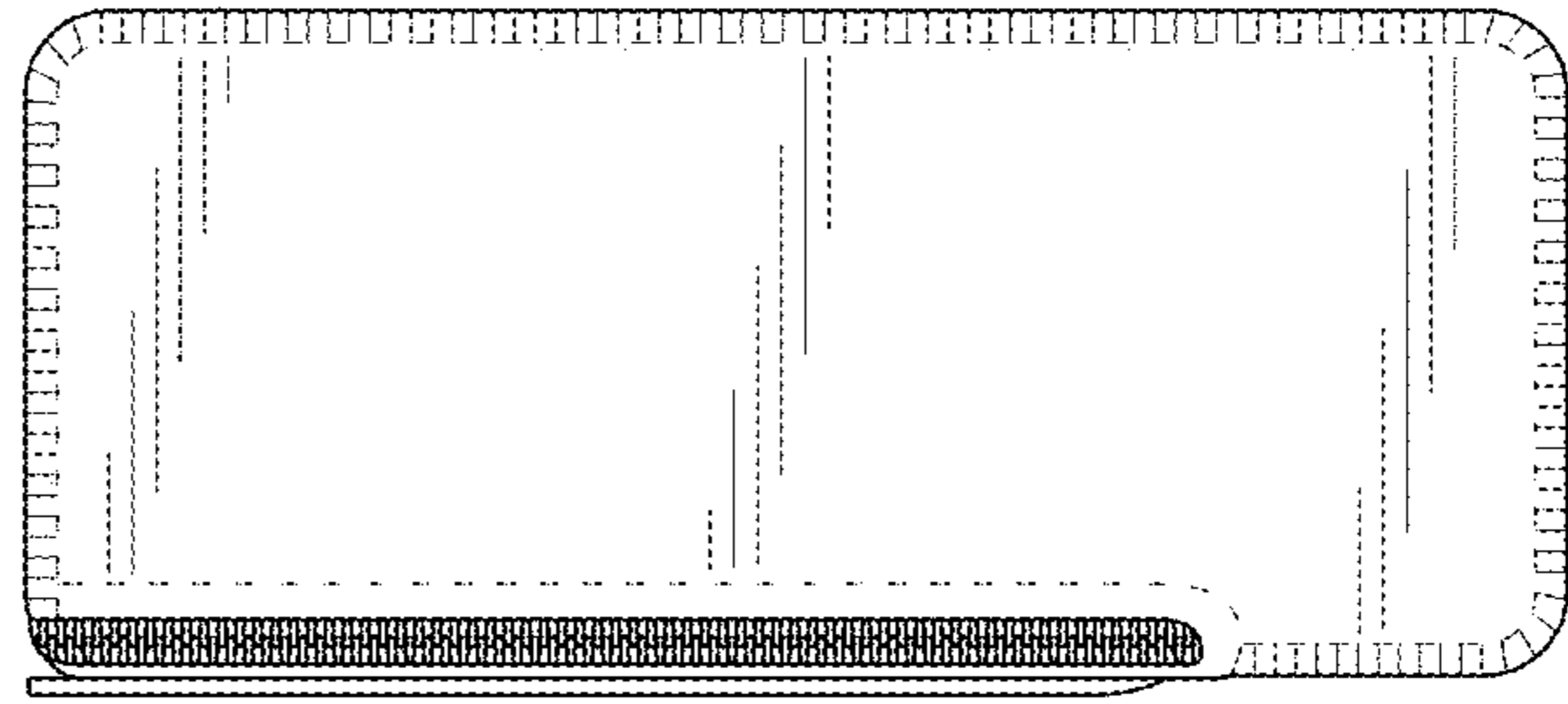
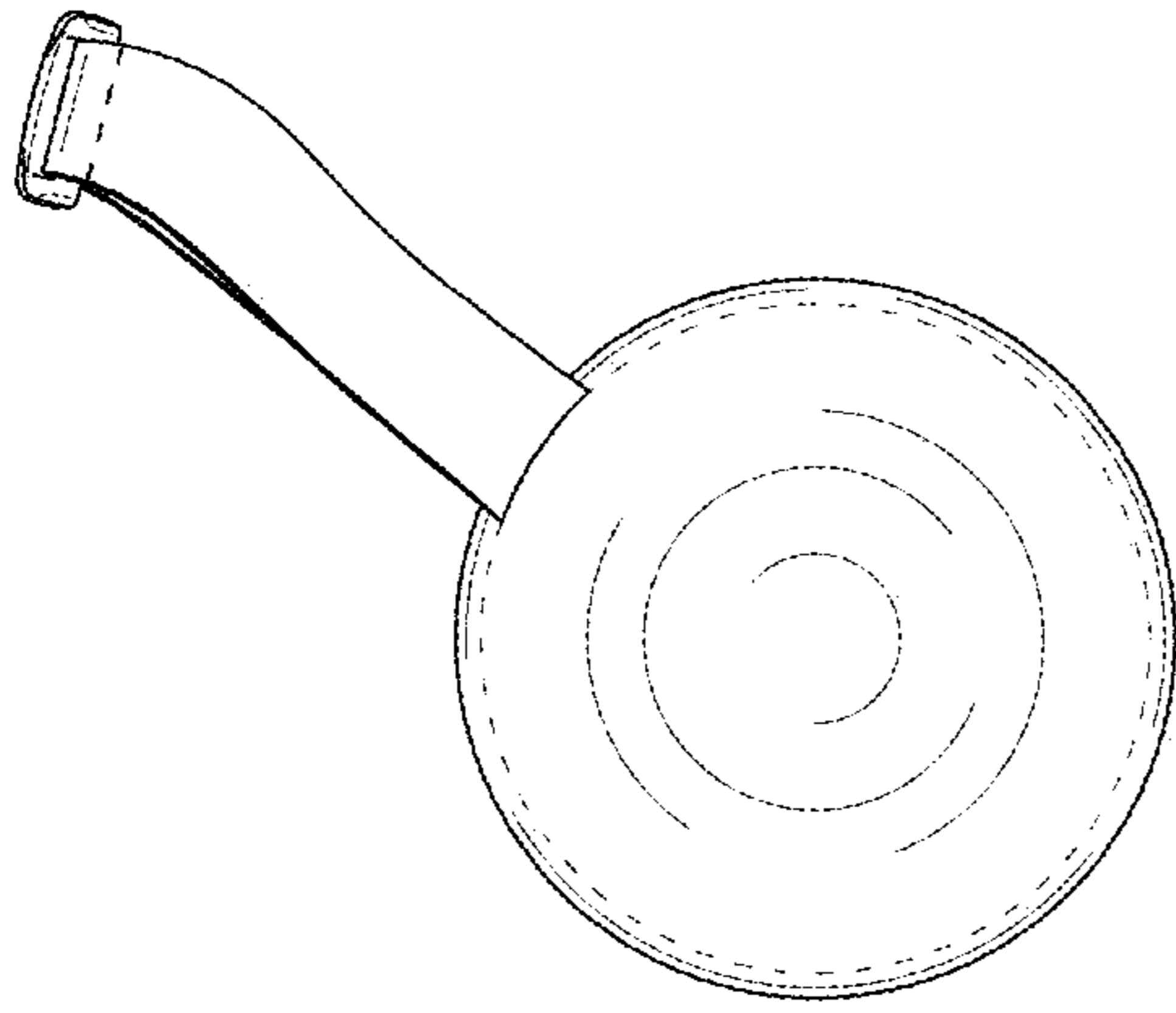


FIG. 7

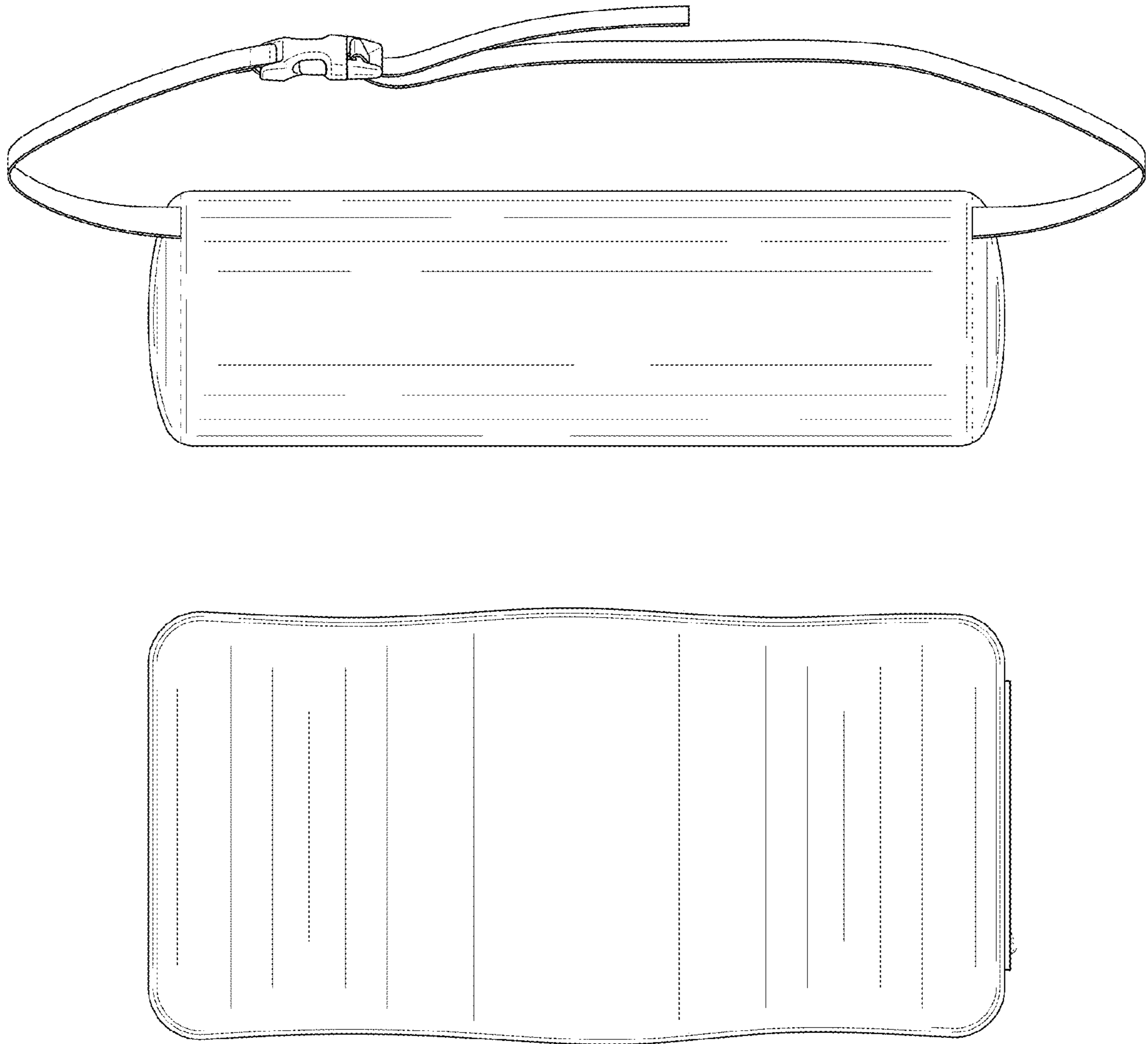


FIG. 8

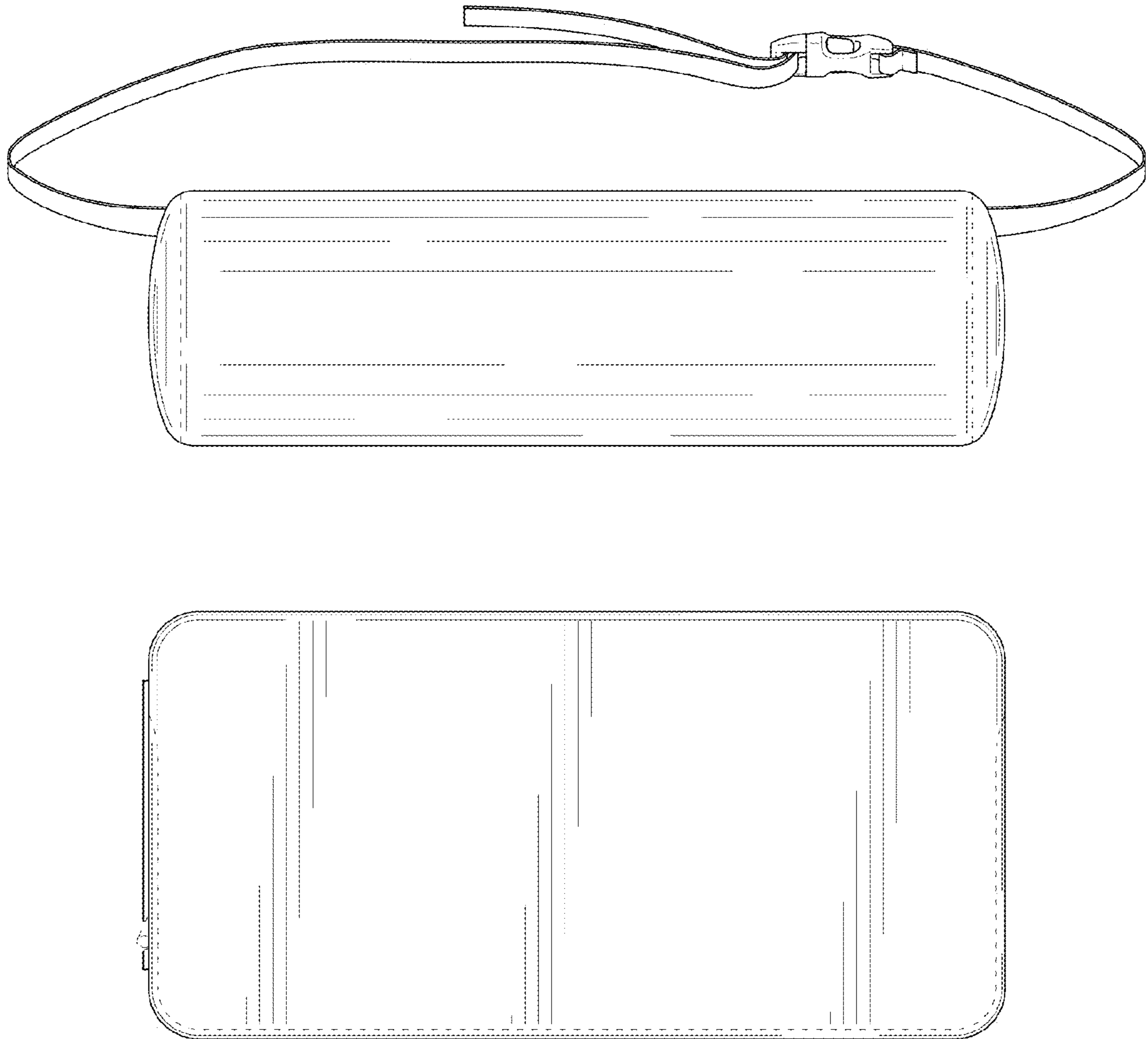


FIG. 9