



US00D948055S

(12) **United States Design Patent**
Sunada et al.

(10) **Patent No.:** **US D948,055 S**
(45) **Date of Patent:** **** Apr. 5, 2022**

(54) **HUMIDIFIER CARTRIDGE FOR LOW-FLOW OXYGEN THERAPY**

(71) Applicant: **Perma Pure LLC**, Lakewood, NJ (US)

(72) Inventors: **Craig Sunada**, Manasquan, NJ (US);
Nate Inkrote, Lakewood, NJ (US);
Vincent Lambert, Salisbury, MA (US);
Luke Fichtel, Ashburnham, MA (US)

(73) Assignee: **Perma Pure LLC**, Lakewood, NJ (US)

(**) Term: **15 Years**

(21) Appl. No.: **29/687,839**

(22) Filed: **Apr. 16, 2019**

(51) **LOC (13) Cl.** **24-02**

(52) **U.S. Cl.**
USPC **D24/164**

(58) **Field of Classification Search**
USPC D23/235, 355, 356; D24/110, 110.1,
D24/110.2, 110.3, 110.4, 110.5, 110.6,
(Continued)

(56) **References Cited**

U.S. PATENT DOCUMENTS

D269,373 S * 6/1983 Belt D24/167
D338,727 S * 8/1993 Rand D13/168
(Continued)

OTHER PUBLICATIONS

HomeCare Mag, "Medtrade 2018 Product Showcase", first available Nov. 13, 2018. (<https://www.homecaremag.com/november-2018/medtrade-2018-product-catalog>) (Year: 2018).*
(Continued)

Primary Examiner — Lauren D McVey
Assistant Examiner — Justin A Johnson
(74) *Attorney, Agent, or Firm* — Kaplan Breyer Schwarz, LLP

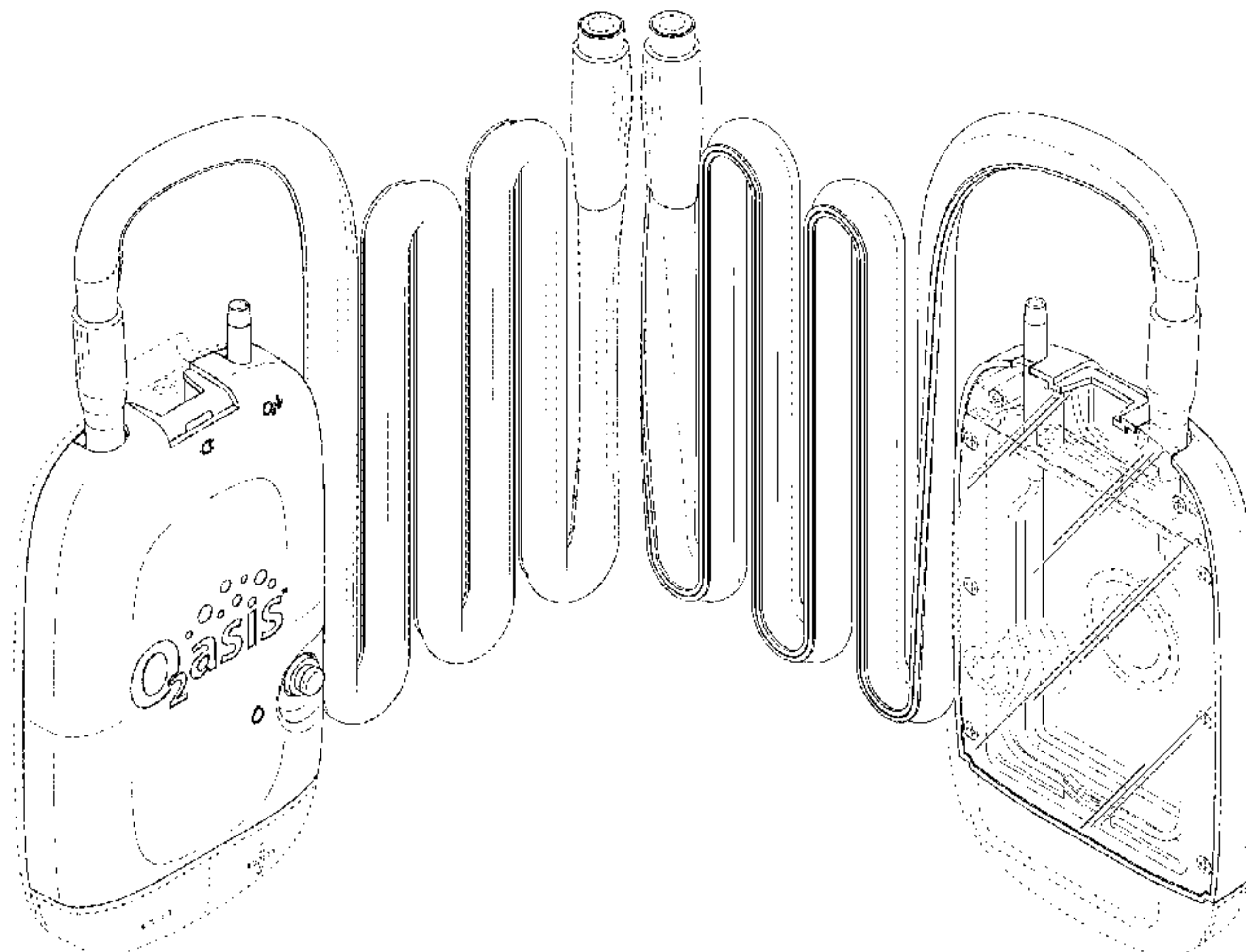
(57) **CLAIM**

The ornamental design for a humidifier cartridge for low-flow oxygen therapy, as shown and described.

DESCRIPTION

FIG. 1 is a front isometric view of a first embodiment showing my new design for a humidifier cartridge for low-flow oxygen therapy.
FIG. 2 is a rear isometric view thereof.
FIG. 3 is a front view thereof.
FIG. 4 is a rear view thereof.
FIG. 5 is a left-side view thereof.
FIG. 6 is a right-side view thereof.
FIG. 7 is a top view thereof.
FIG. 8 is a bottom view thereof.
FIG. 9 is a front isometric view of a second embodiment showing my new design.
FIG. 10 is a rear isometric view thereof.
FIG. 11 is a front view thereof.
FIG. 12 is a rear view thereof.
FIG. 13 is a left view thereof.
FIG. 14 is a right view thereof.
FIG. 15 is a top view thereof.
FIG. 16 is a bottom view thereof.
FIG. 17 is a front isometric view of a third embodiment showing my new design.
FIG. 18 is a rear isometric view thereof.
FIG. 19 is a front view thereof.
FIG. 20 is a rear view thereof.
FIG. 21 is a left view thereof.
FIG. 22 is a right view thereof.
FIG. 23 is a top view thereof.
FIG. 24 is a bottom view thereof.
FIG. 25 is a front isometric view of a fourth embodiment showing my new design.
FIG. 26 is a rear isometric view thereof.
FIG. 27 is a front view thereof.
FIG. 28 is a rear view thereof.
FIG. 29 is a left view thereof.
FIG. 30 is a right view thereof.
FIG. 31 is a top view thereof; and,
FIG. 32 is a bottom view thereof.

(Continued)



The “O2asis” lettering and icon forming part of the disclosure is a pending trademark of PermaPure of 1001 New Hampshire Avenue, Lakewood, New Jersey 08701.

The evenly spaced and dot-dash broken lines immediately adjacent to the claim depict the bounds of the claimed design, while all other broken lines are directed to environment. The broken lines form no part of the claimed design.

1 Claim, 24 Drawing Sheets

(58) **Field of Classification Search**

USPC D24/164, 113, 185, 186, 133, 135, 137, D24/138, 140, 162, 163, 167, 231, 127, D24/129; D29/124
 CPC .. F24F 6/00; F24F 2006/006; F24F 2006/008; F24F 6/02; F24F 6/10; F24F 6/12; F24F 6/18; A61B 5/085; A61B 5/091; A61M 16/10; A61M 16/0672; A61M 16/06; A61M 16/16; A61M 16/0616; A62B 7/00; A62B 7/02; A62B 7/04; A62B 7/06; A62B 7/08; A62B 7/10; A62B 7/12; A62B 7/14; A62B 9/00; A62B 9/003; A62B 9/006; A62B 9/02; A62B 9/022; A62B 9/025; A62B 9/027; A62B 9/04; A62B 9/06

See application file for complete search history.

(56)

References Cited

U.S. PATENT DOCUMENTS

9,568,203	B1 *	2/2017	Small	G10G 7/00
D783,170	S *	4/2017	Carreon	D24/167
D851,767	S *	6/2019	Allum	D24/164
D855,807	S *	8/2019	Schroeder	F24F 6/02 D24/167
D890,346	S *	7/2020	Lam	A61M 16/16 D24/167
D890,899	S *	7/2020	Read	D23/357
2017/0319811	A1 *	11/2017	Foote	F24F 6/02
2019/0192886	A1 *	6/2019	Herrmann	A62B 7/02
2019/0353151	A1 *	11/2019	Chang	F04B 35/04
2020/0101258	A1 *	4/2020	Dimatteo	A61M 16/16
2020/0256491	A1 *	8/2020	Lotfi	F16L 37/08

OTHER PUBLICATIONS

Luke Fichtel Design, “Perma Pure”, first available 2018. (<https://www.lukefichteldesign.com/permapure>) (Year: 2018).*

Facebook, “Perma Pure LLC”, first available Oct. 17, 2018. (<https://www.facebook.com/PermaPureLLC/photos/were-proud-to-have-our-upcoming-o2asis-personal-humidifier-selected-for-the-new-/1988018957910297/>) (Year: 2018).*

CPAP Xchange, “Z2 Auto Ultra Portable Auto-CPAP Machine”, first available Apr. 29, 2019. (https://www.cpapxchange.com/z2-auto-travel-cpap-package-hdm.html?gclid=EA1alQobChMI0fmBo-257AIV1ODICh3dPgixEAKYDiABEgJuhfD_BwE) (Year: 2019).*

* cited by examiner

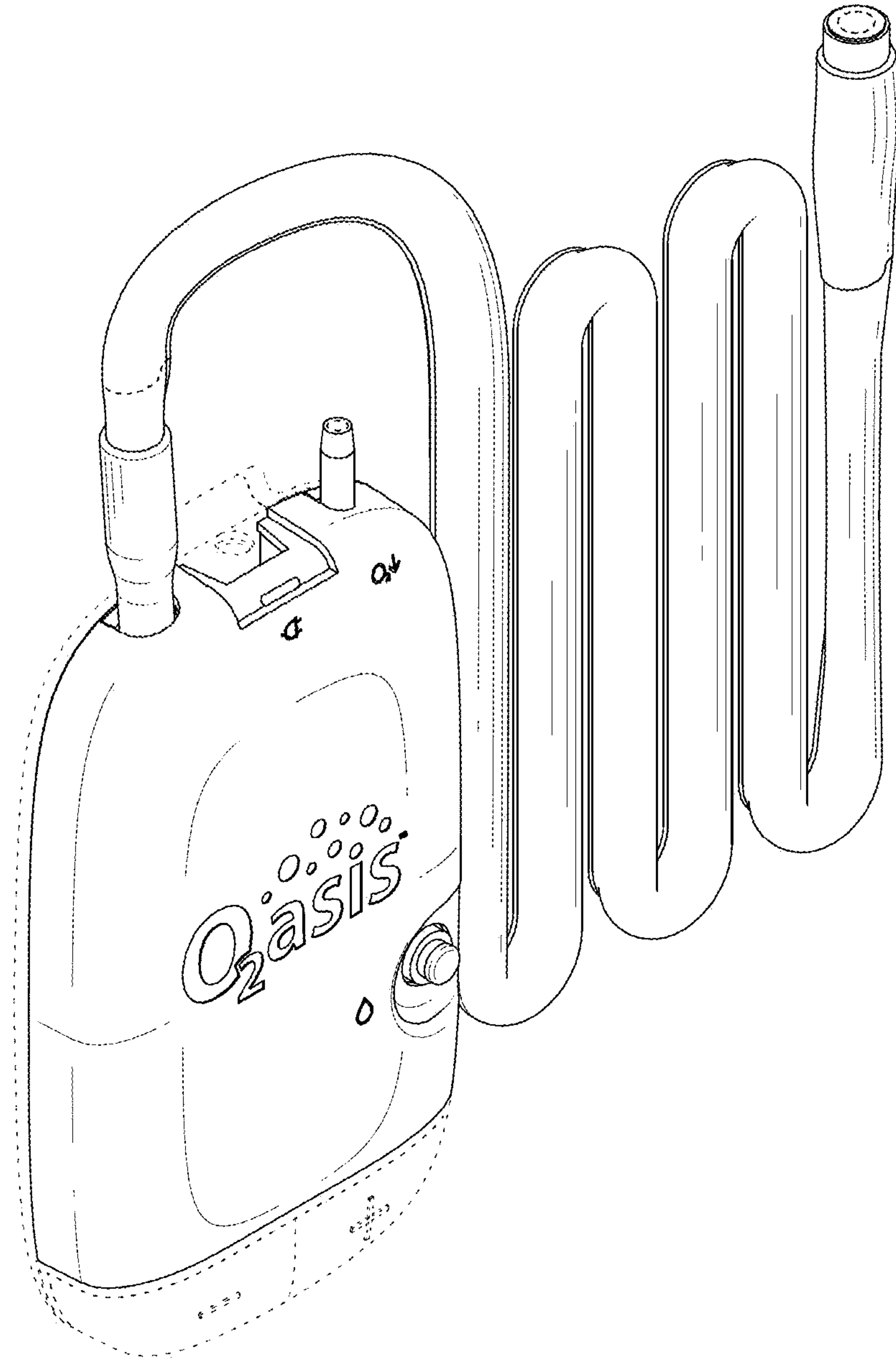


FIG. 1

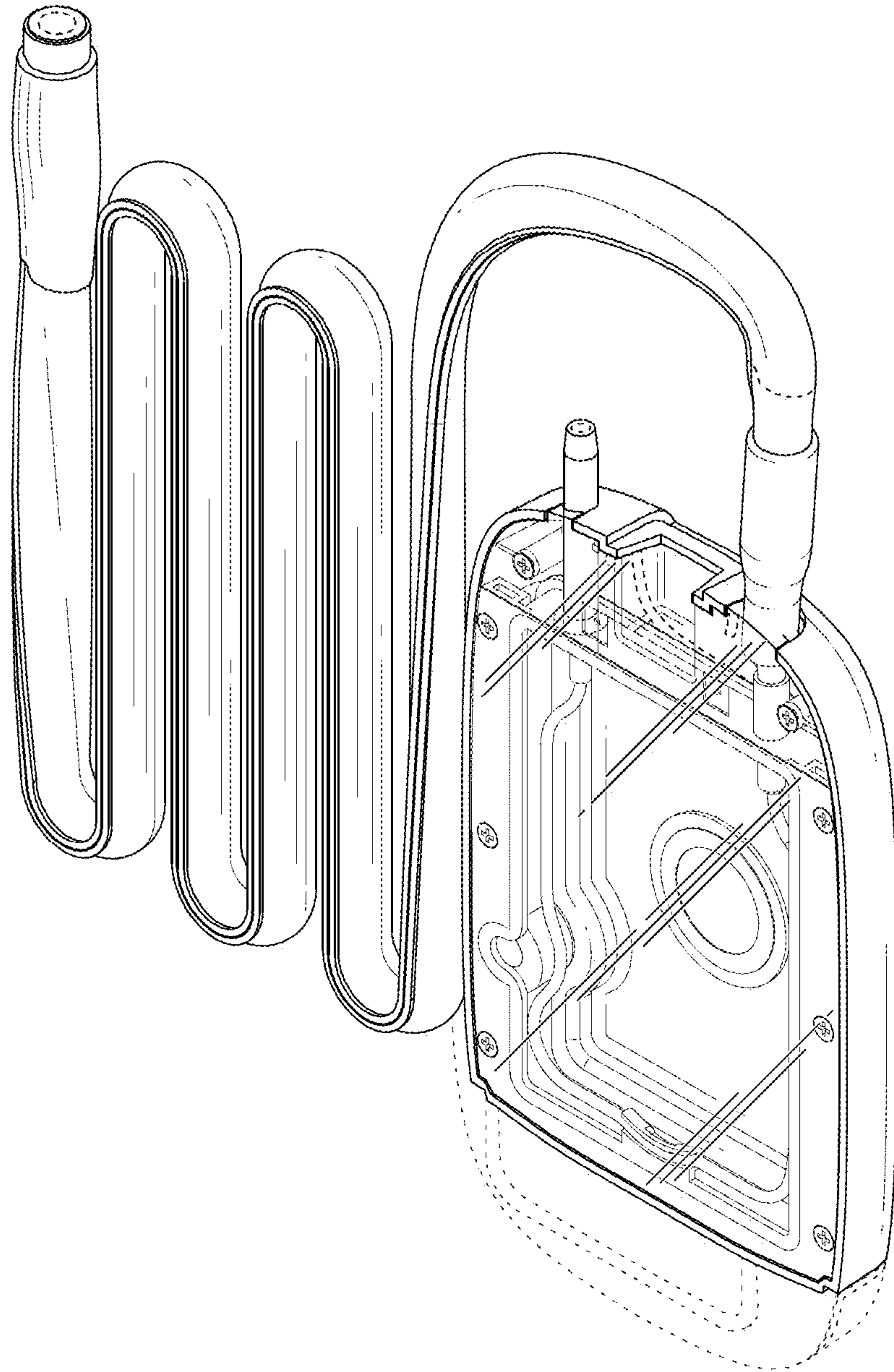


FIG. 2

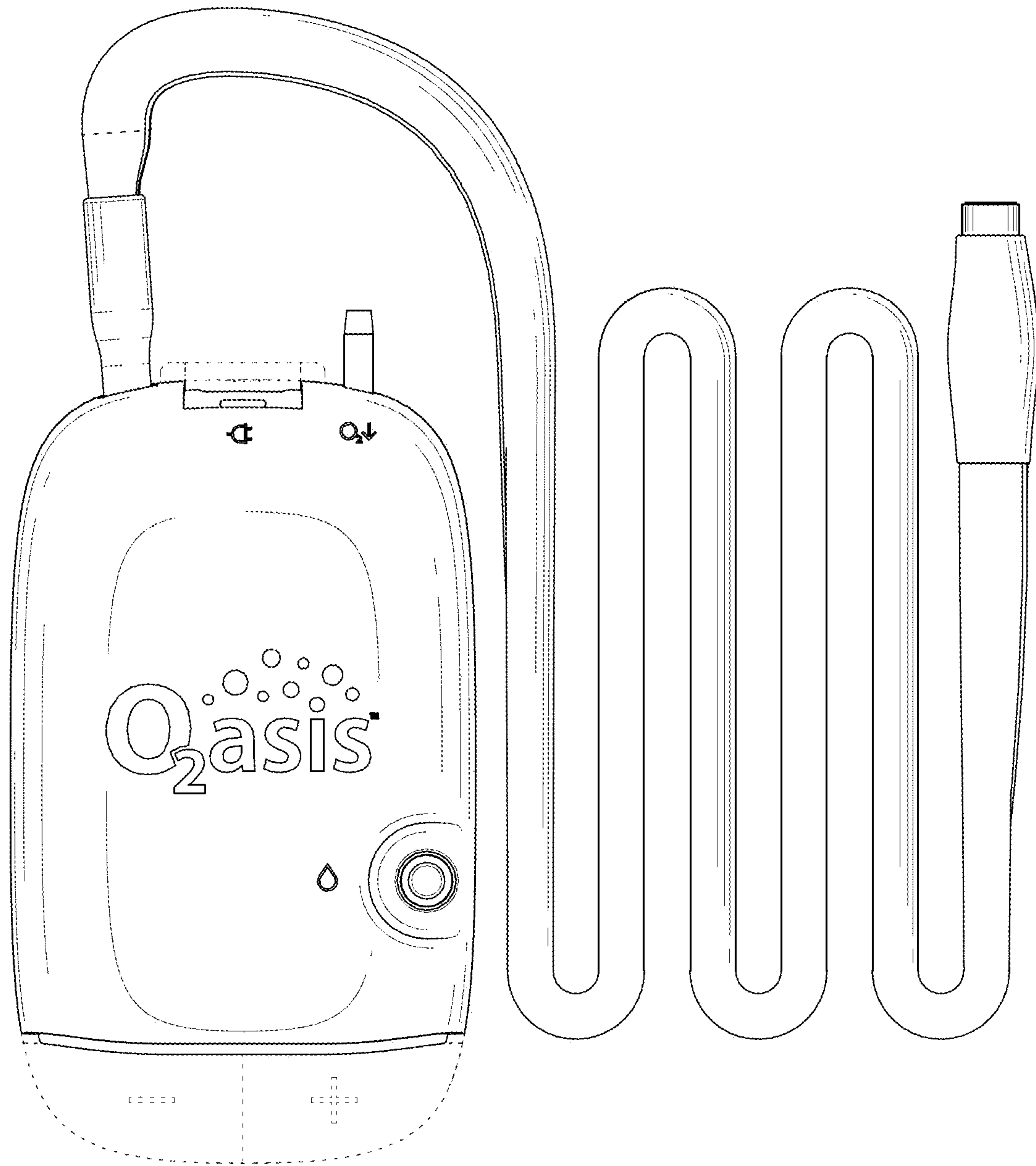


FIG. 3

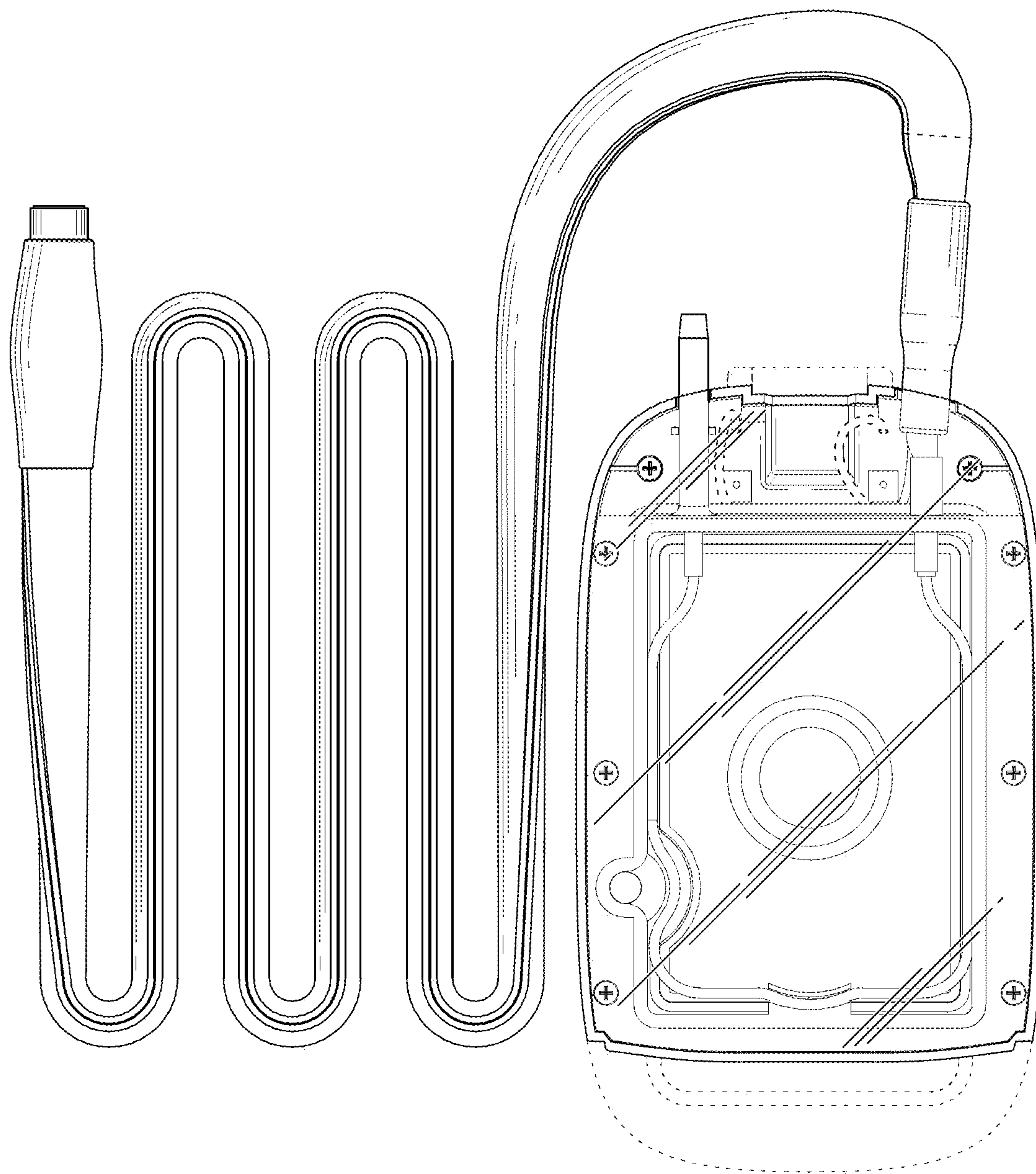


FIG. 4

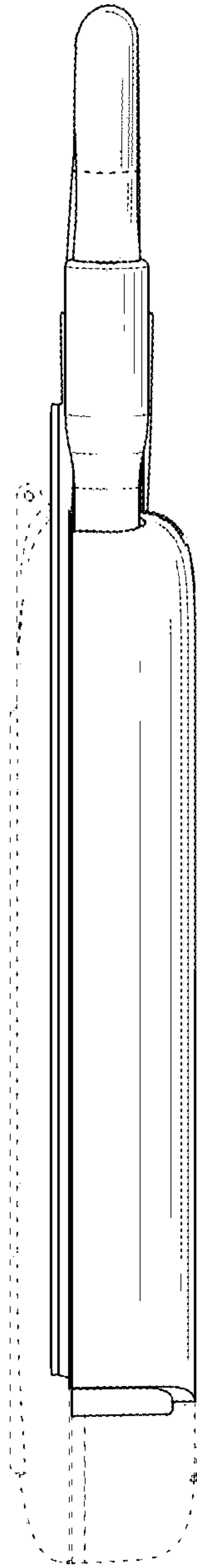


FIG. 5

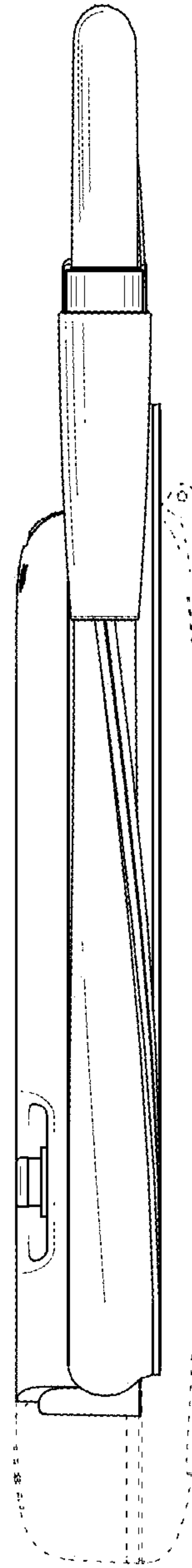


FIG. 6

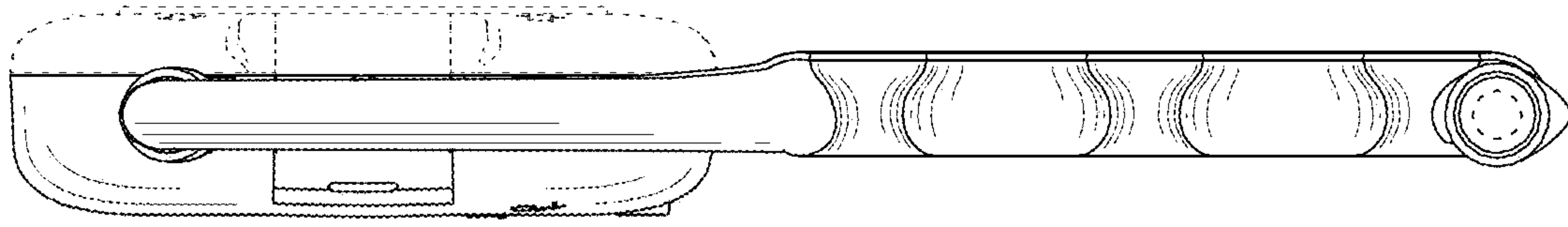


FIG. 7

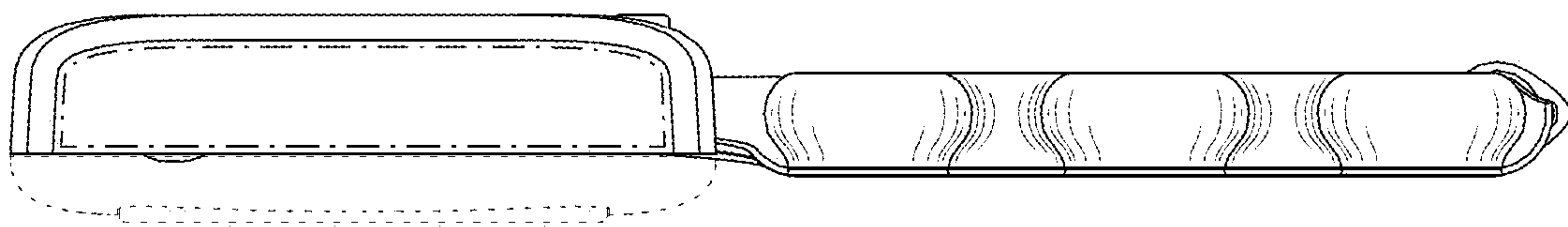


FIG. 8

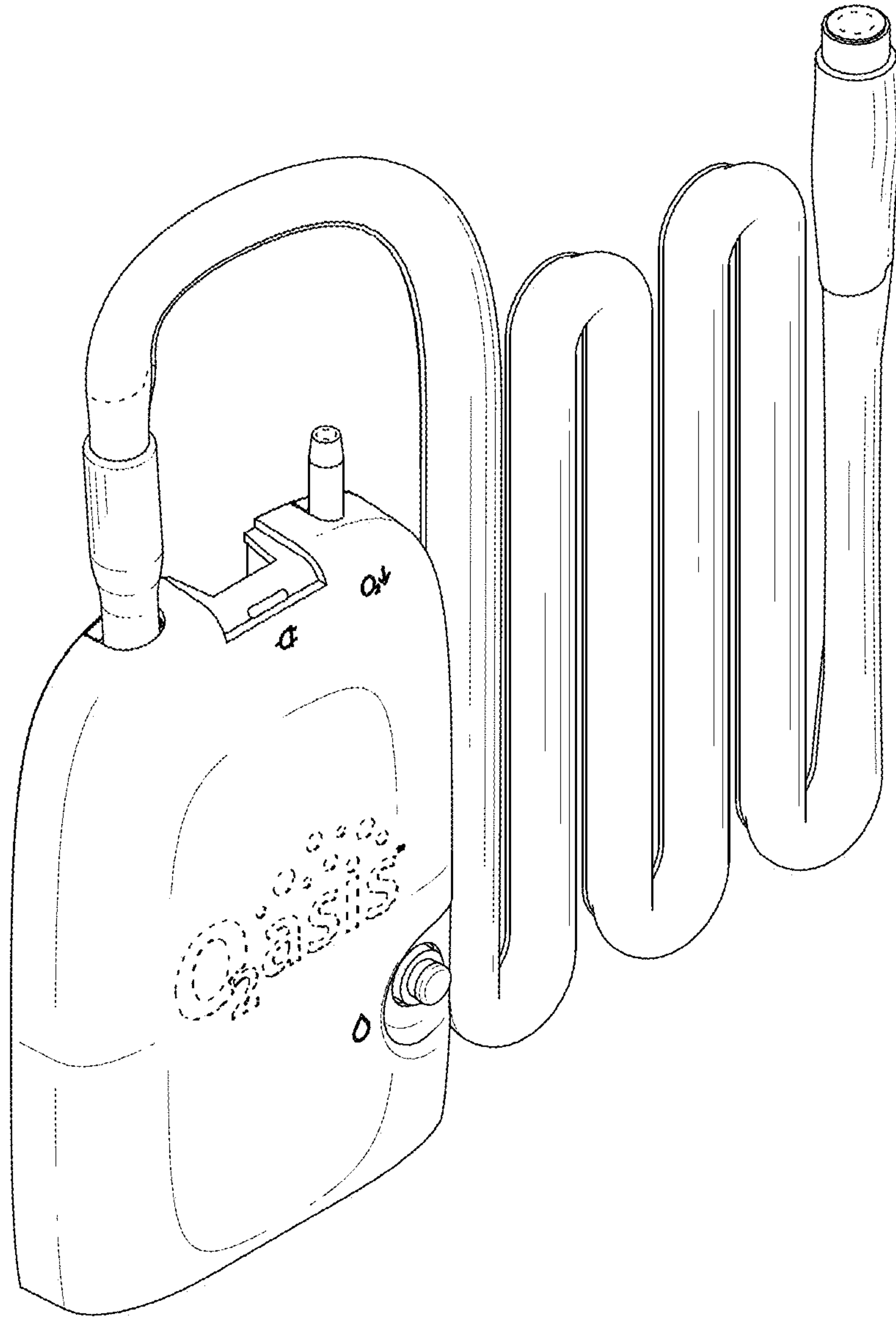


FIG. 9

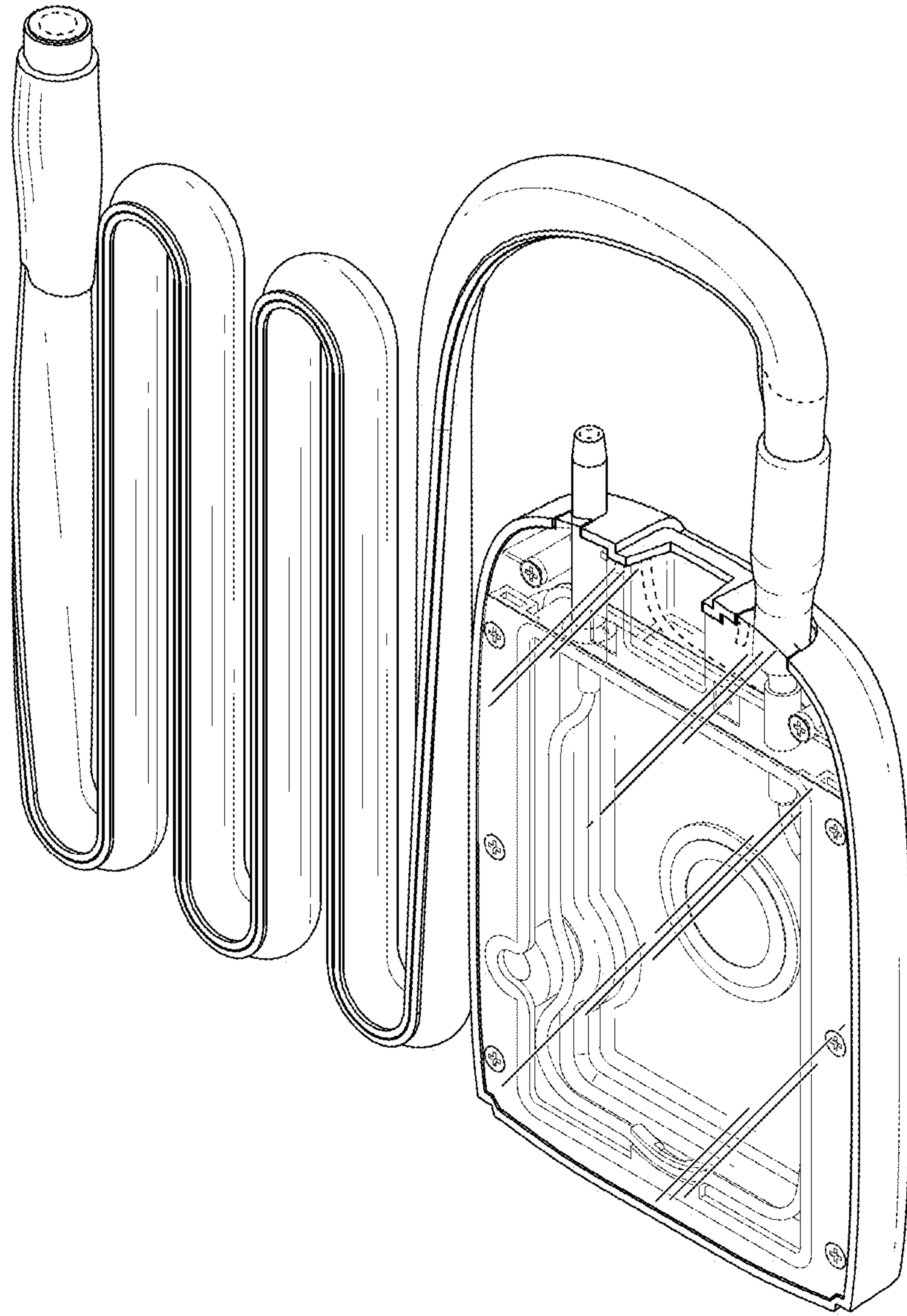


FIG. 10

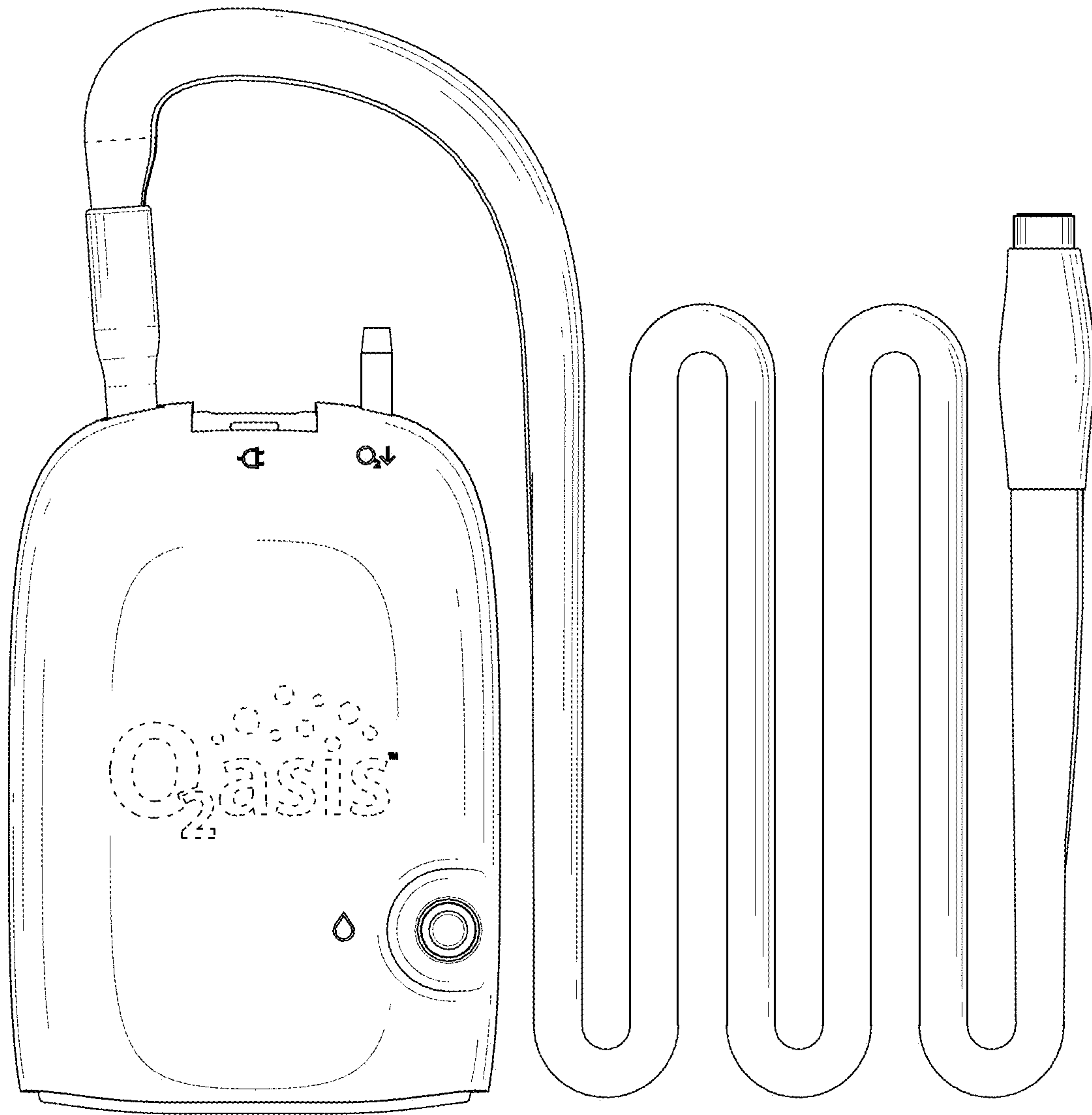


FIG. 11

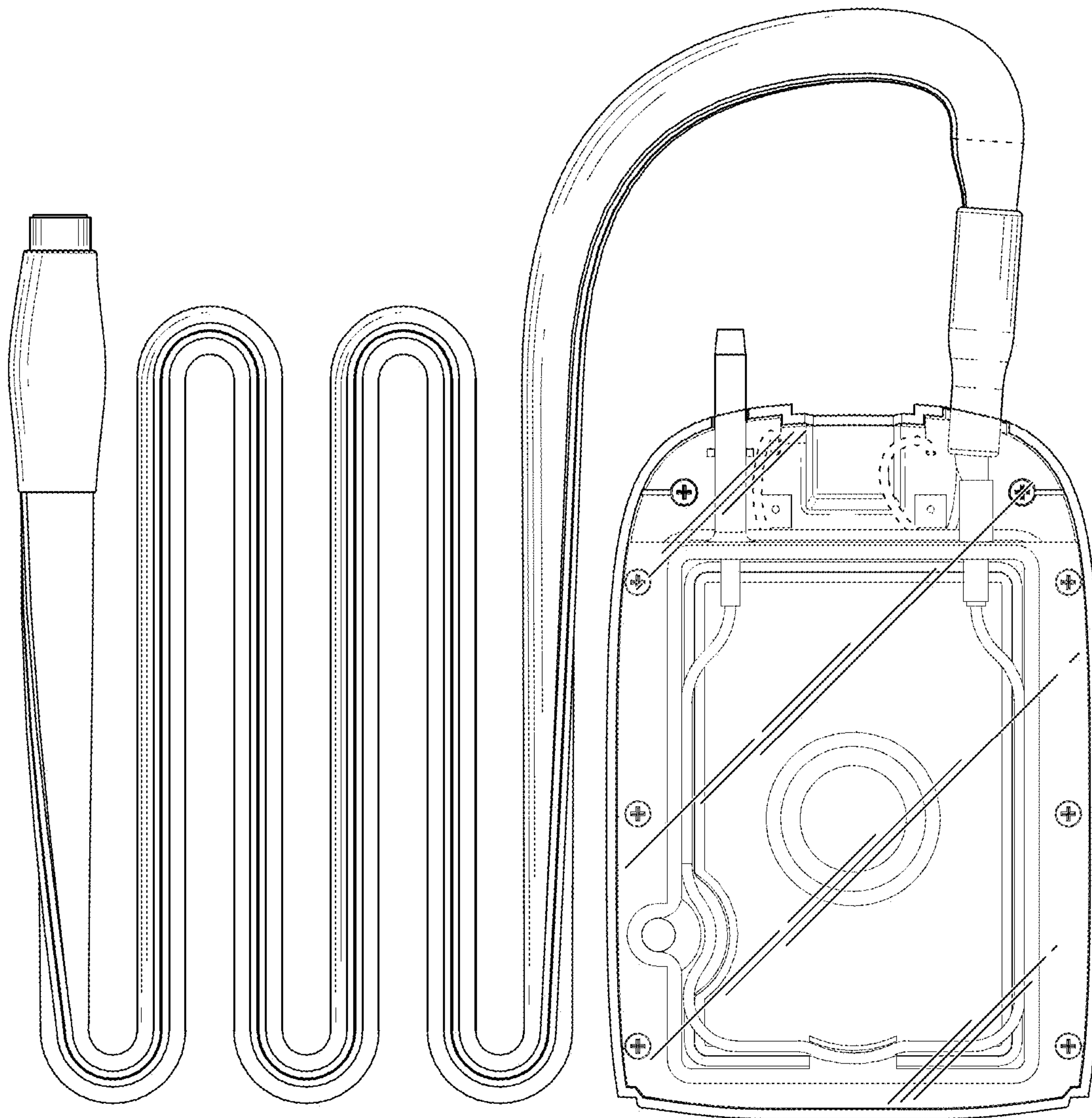


FIG. 12

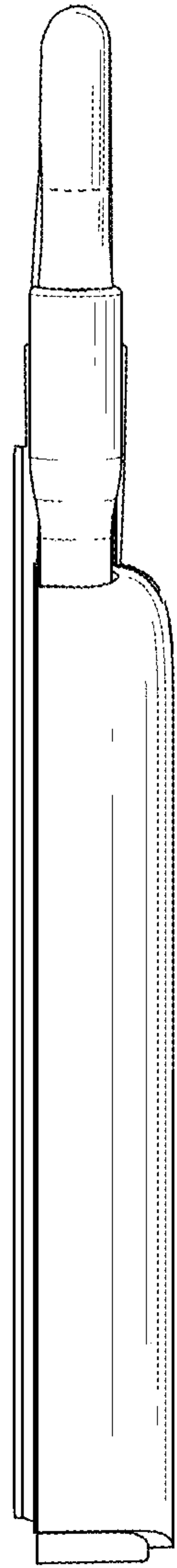


FIG. 13

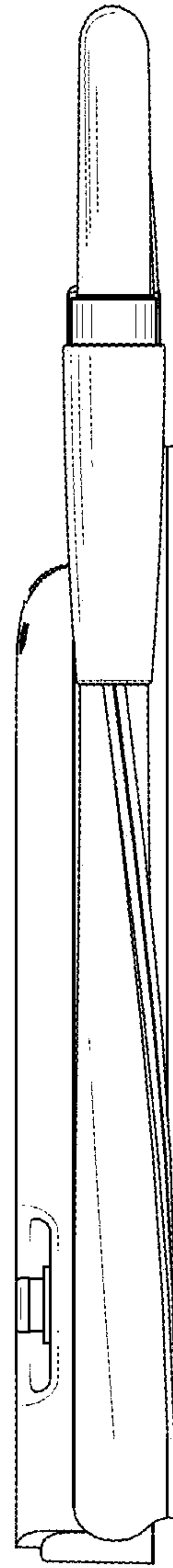


FIG. 14

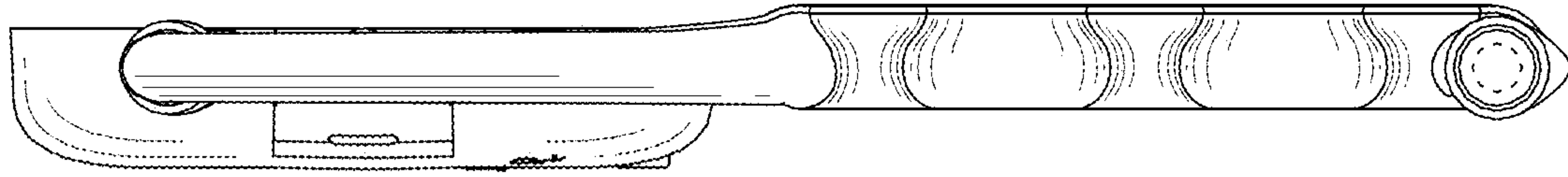


FIG. 15

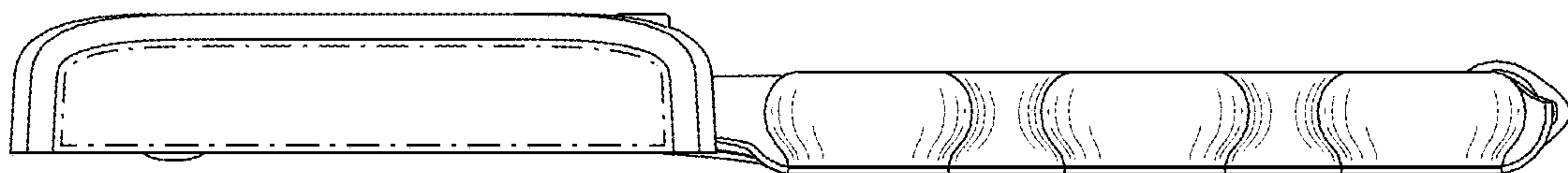


FIG. 16

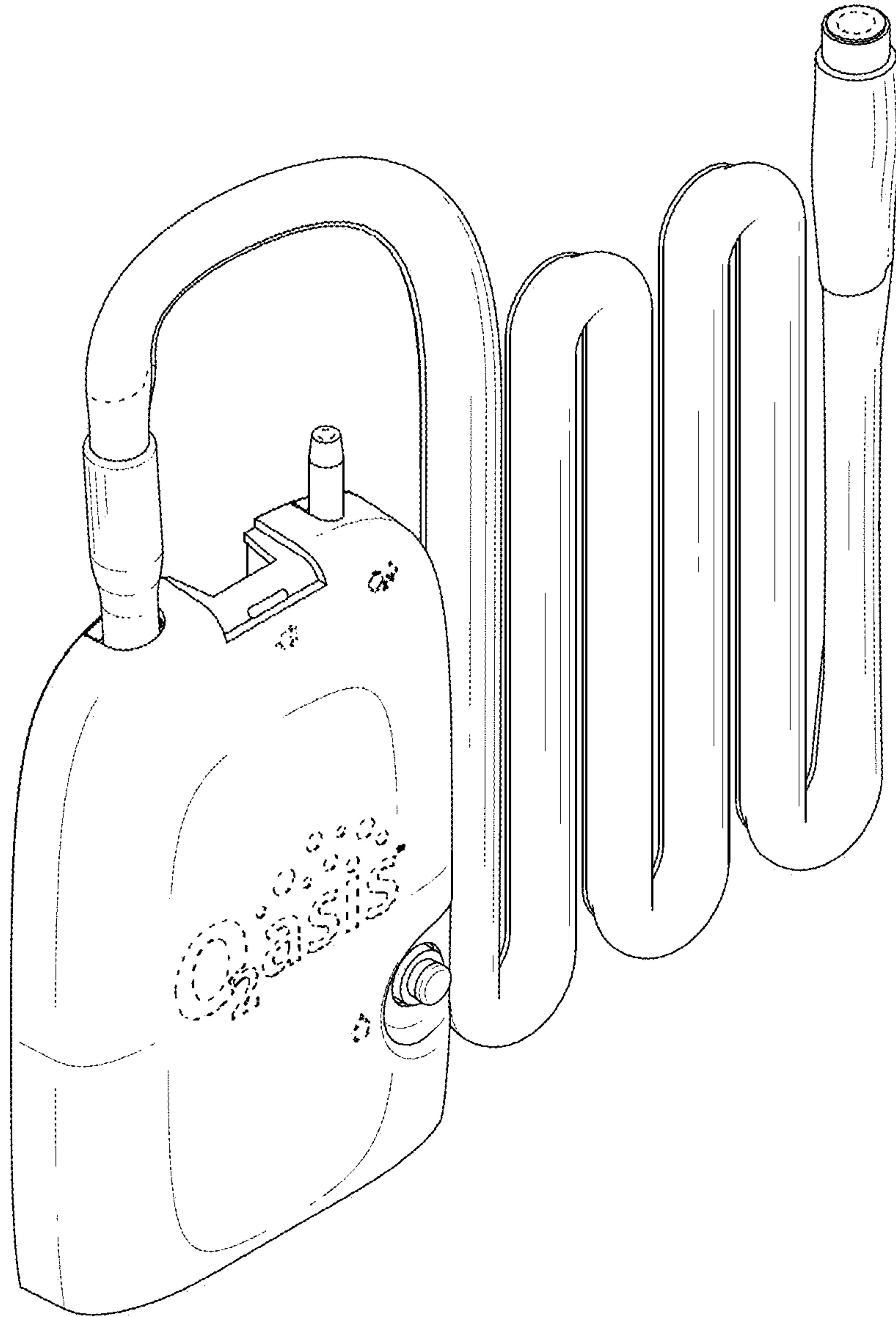


FIG. 17

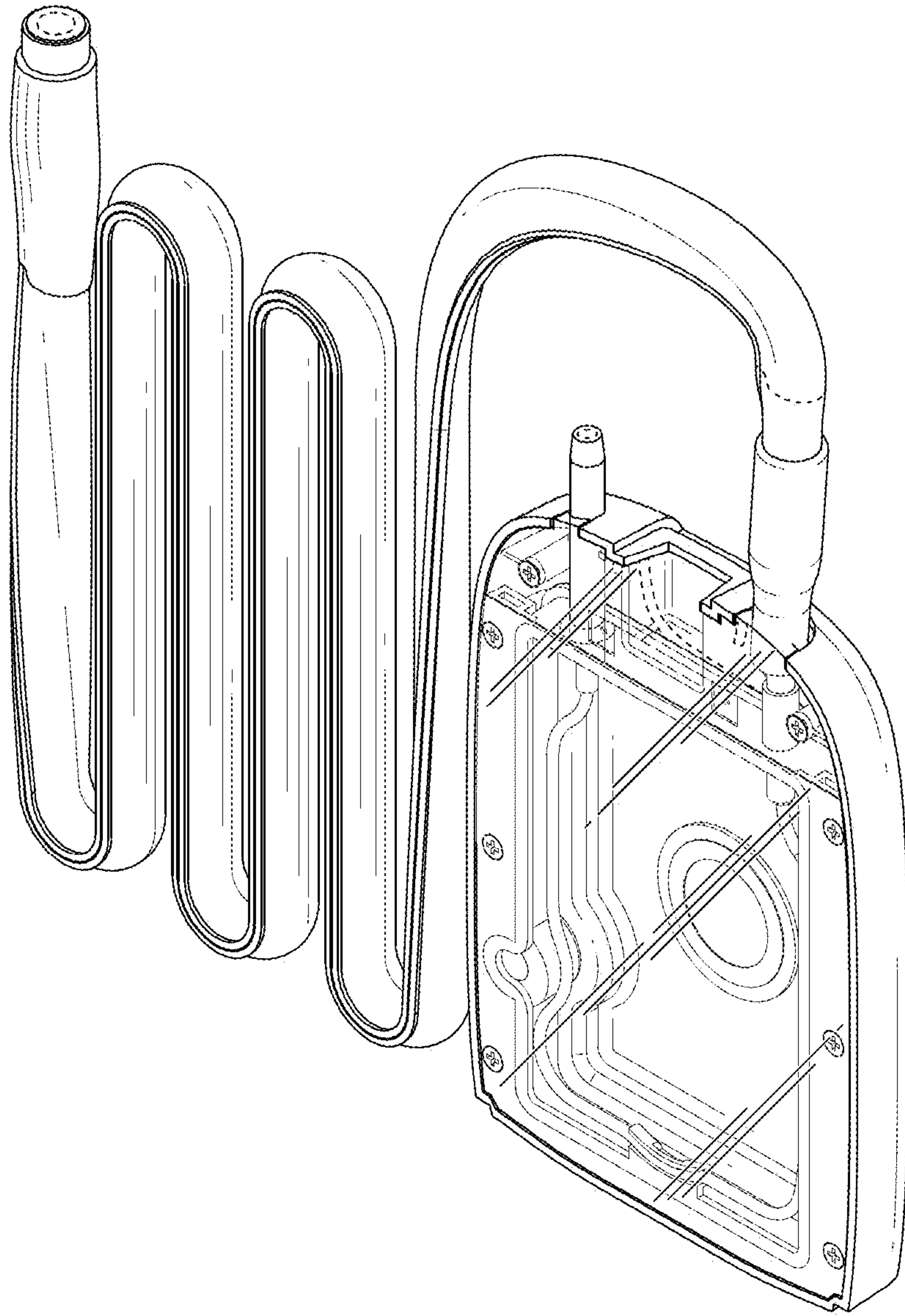


FIG. 18

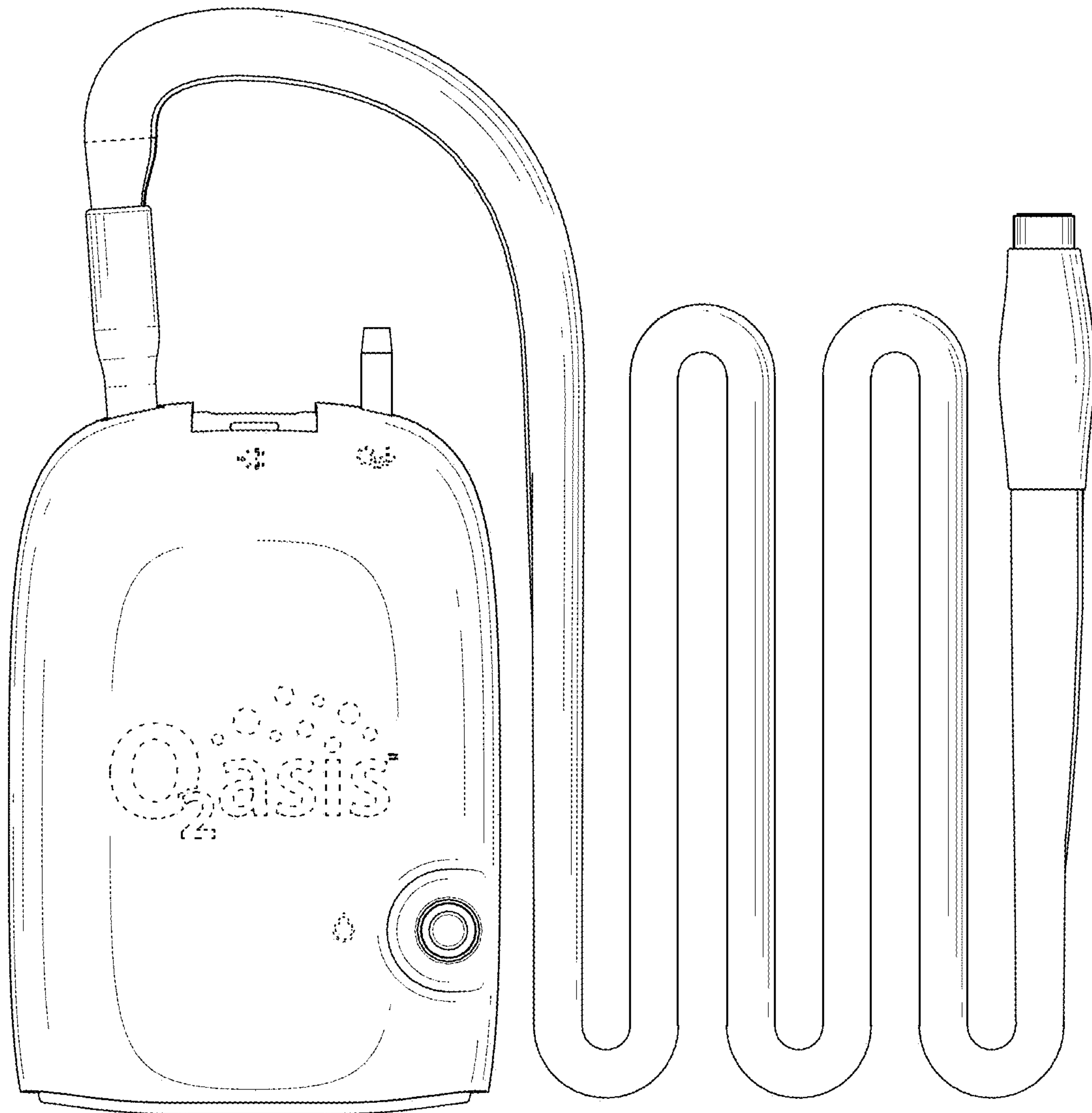


FIG. 19

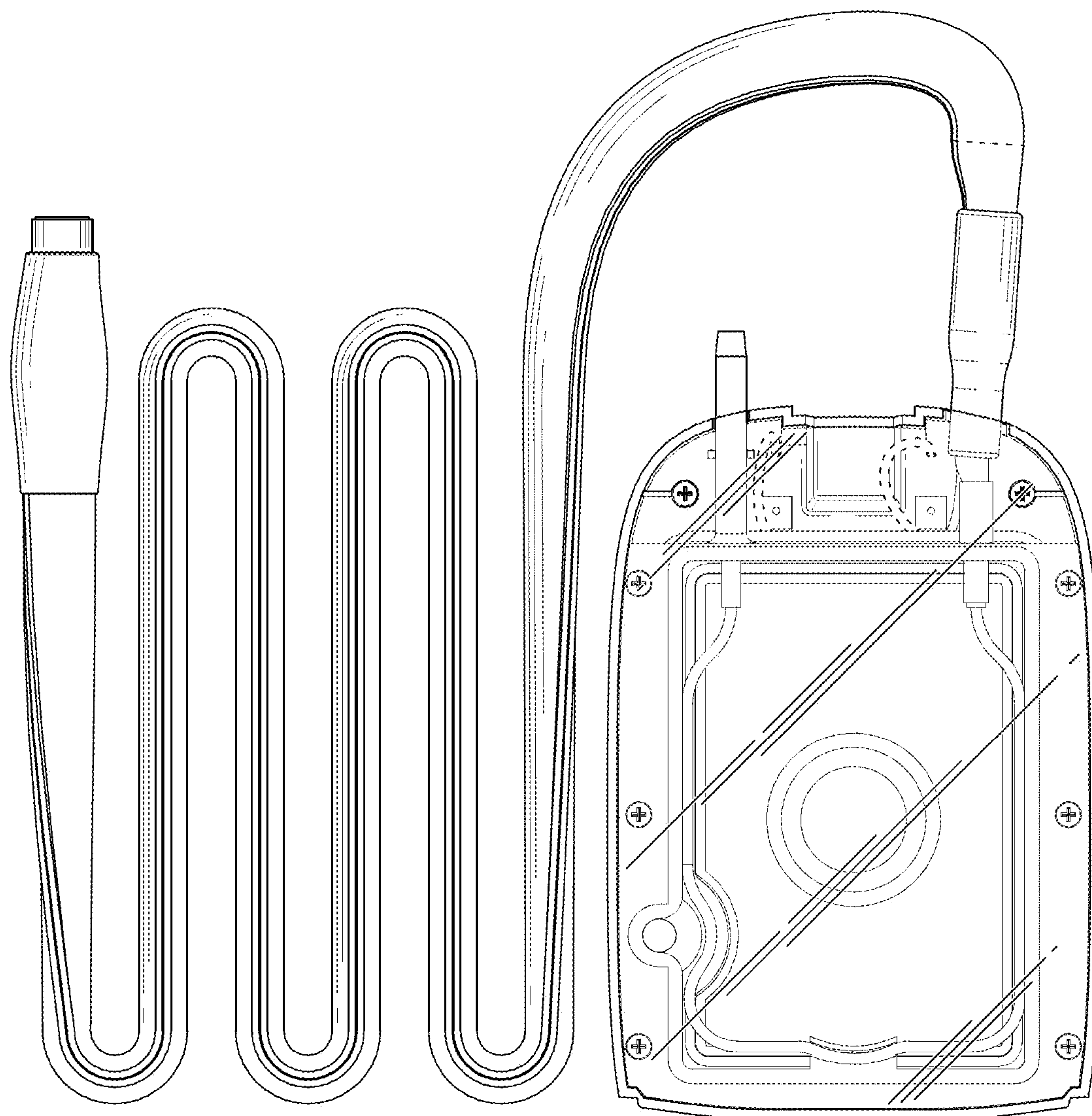


FIG. 20

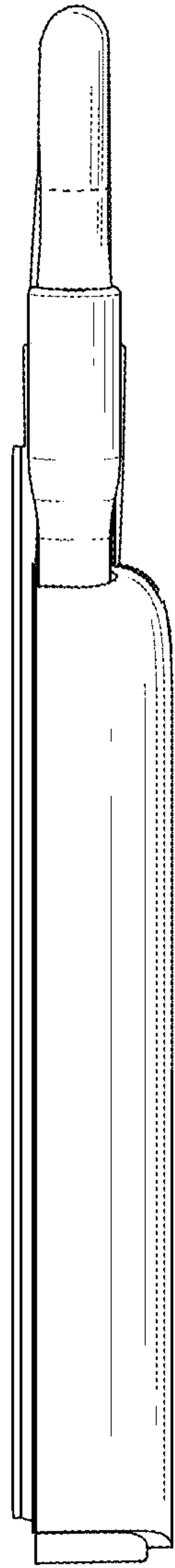


FIG. 21

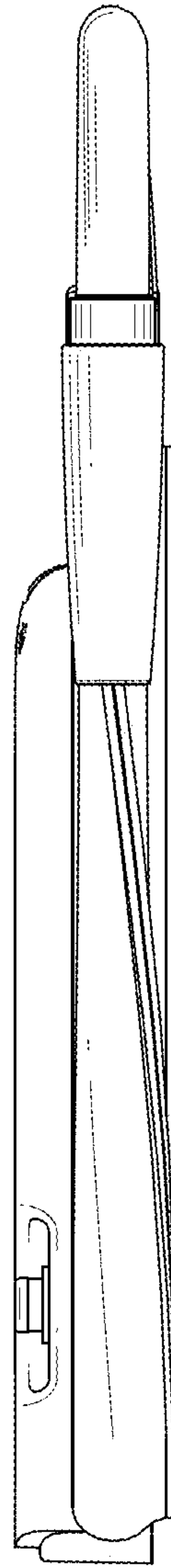


FIG. 22

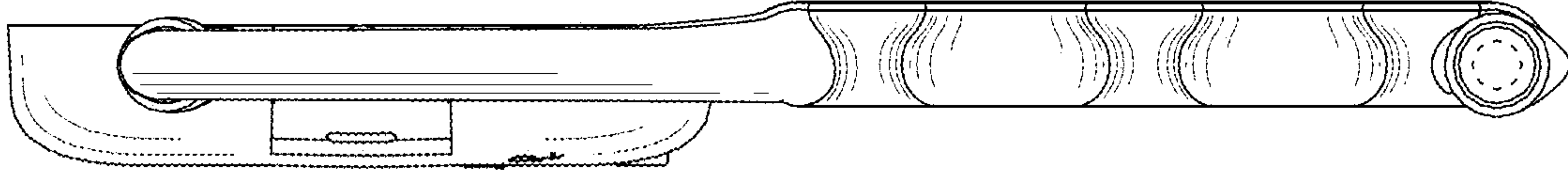


FIG. 23

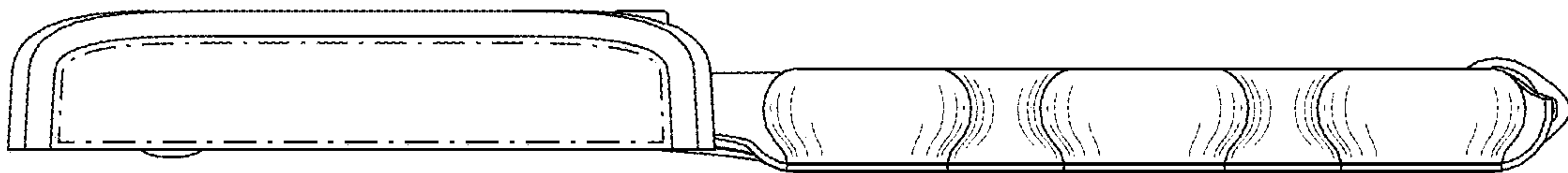


FIG. 24

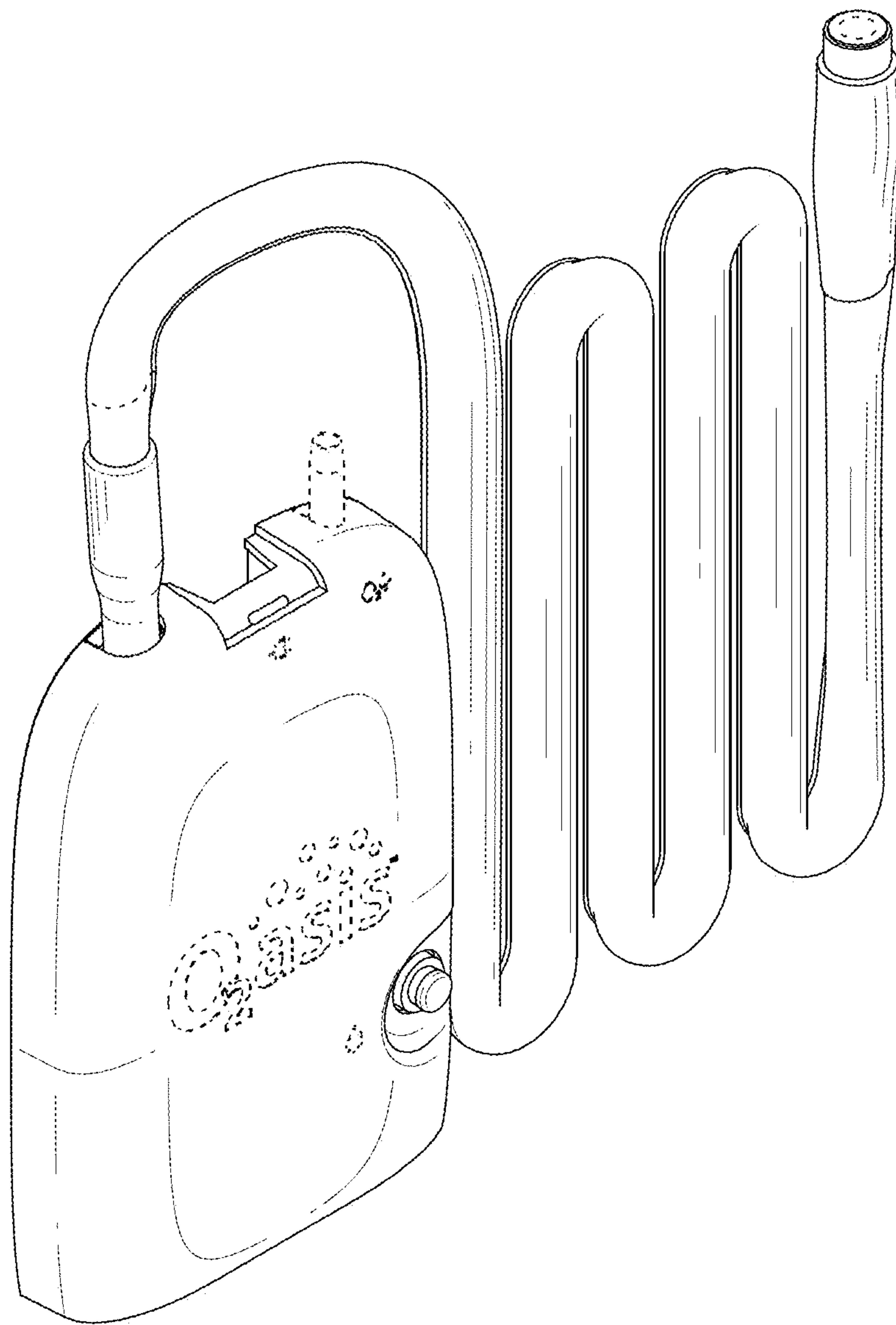


FIG. 25

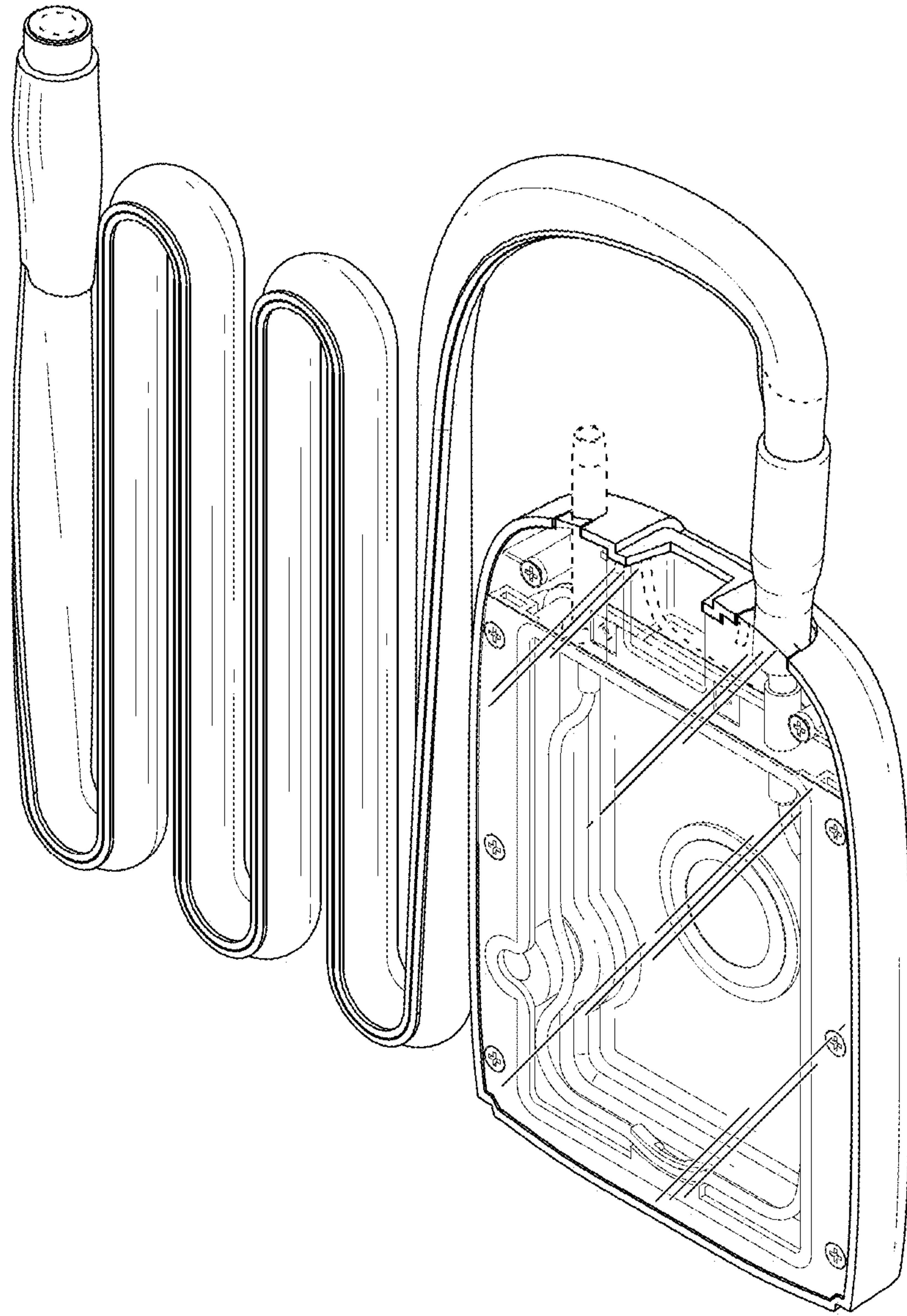


FIG. 26

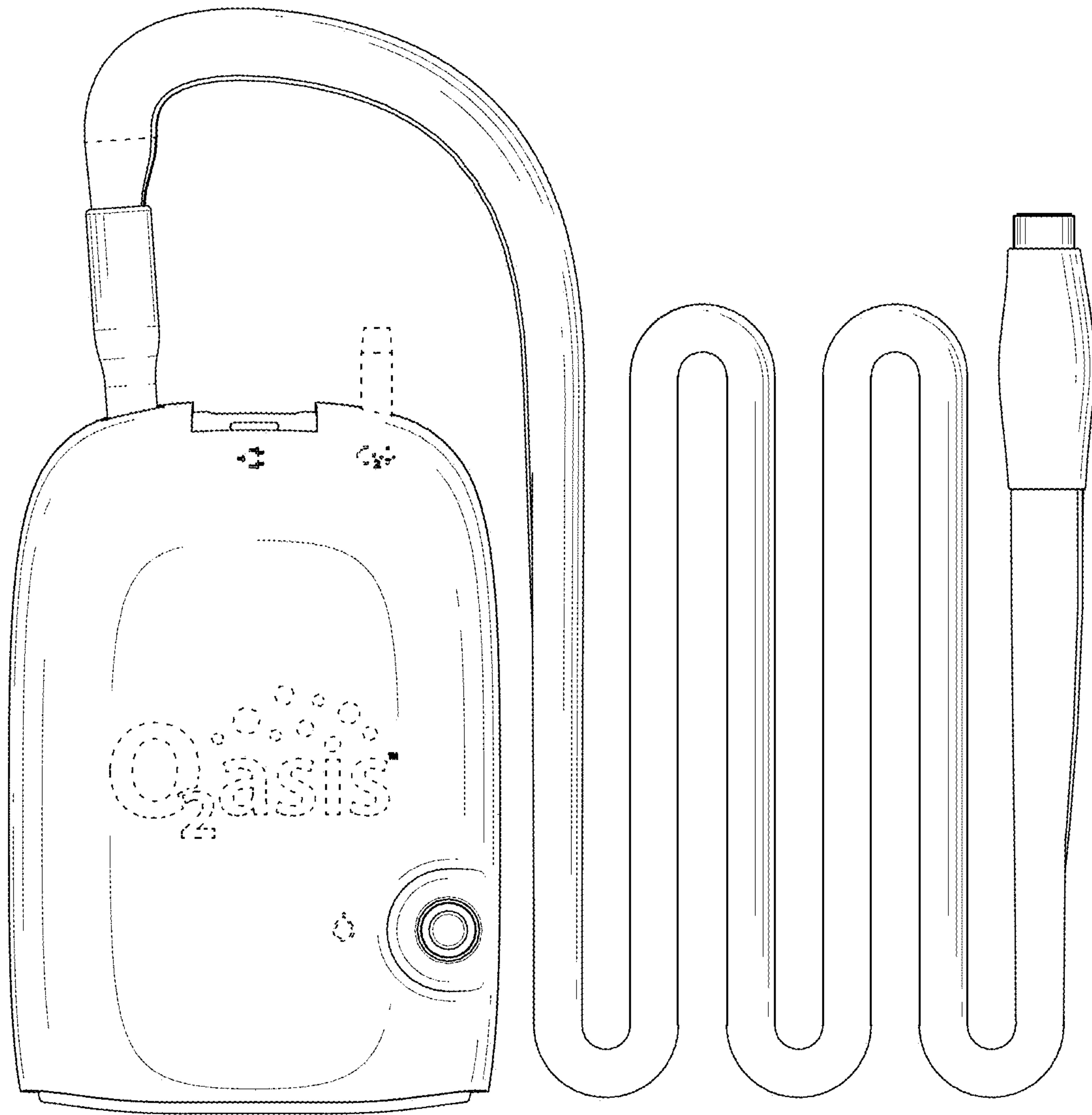


FIG. 27

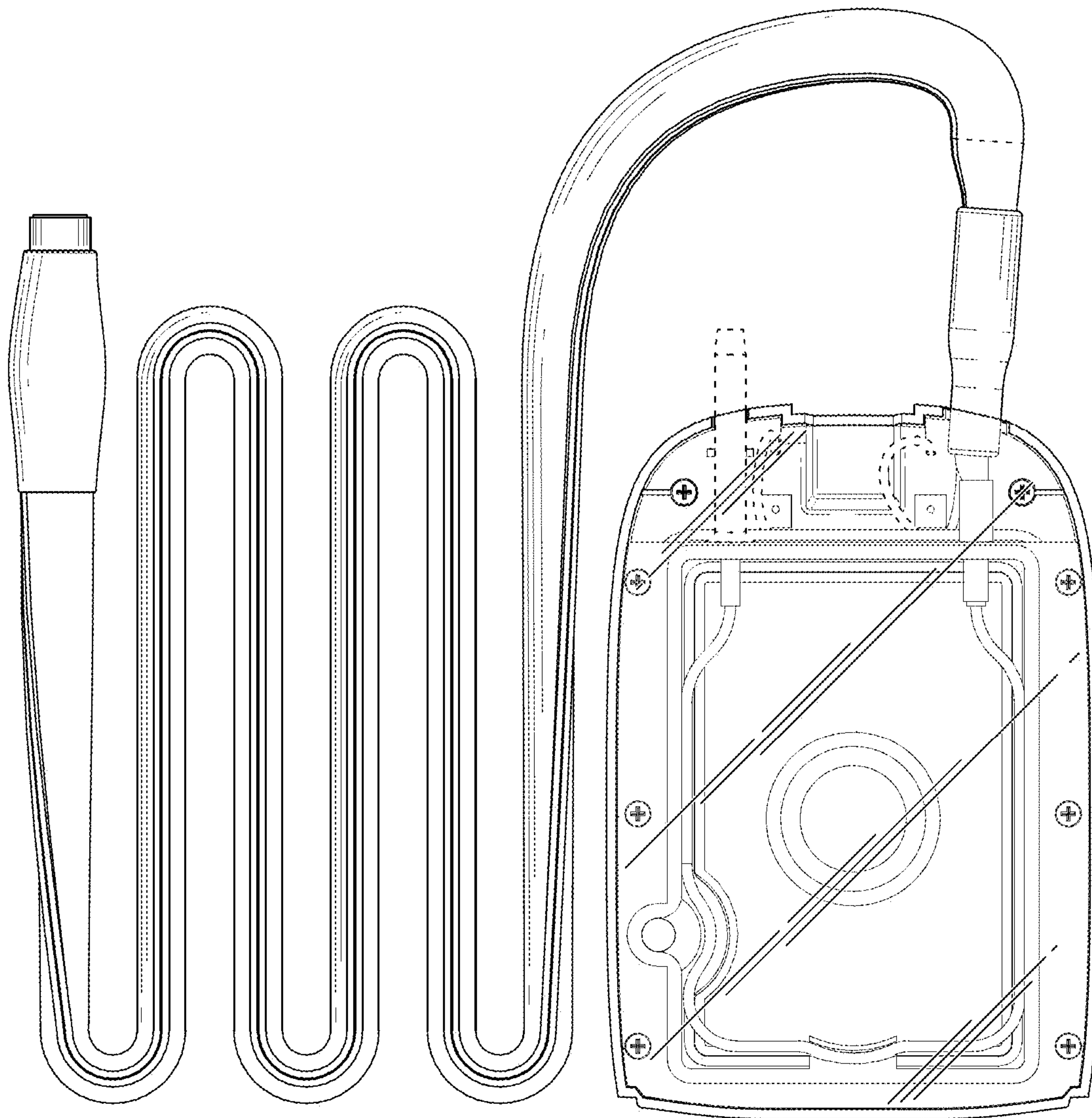


FIG. 28

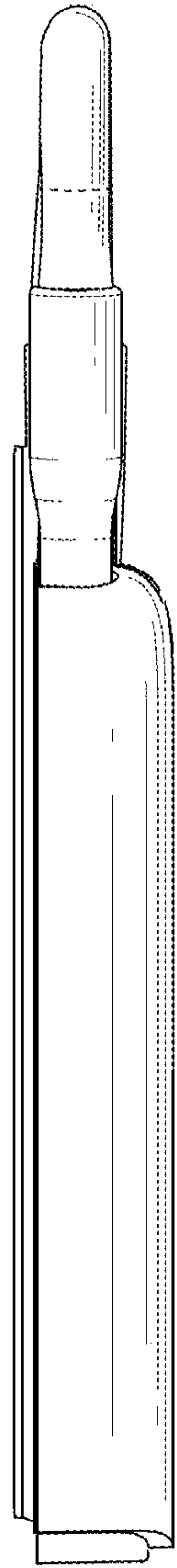


FIG. 29

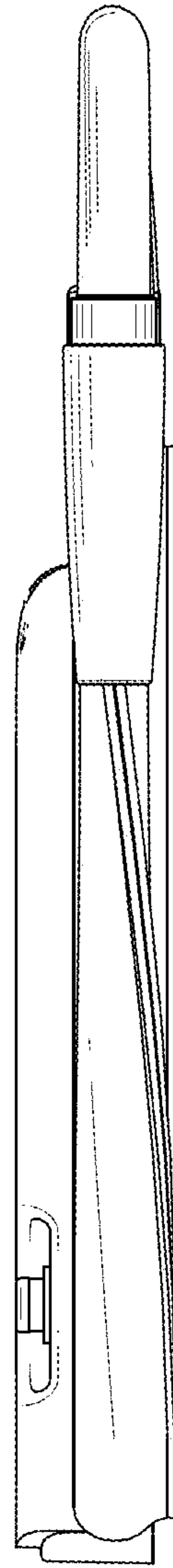


FIG. 30

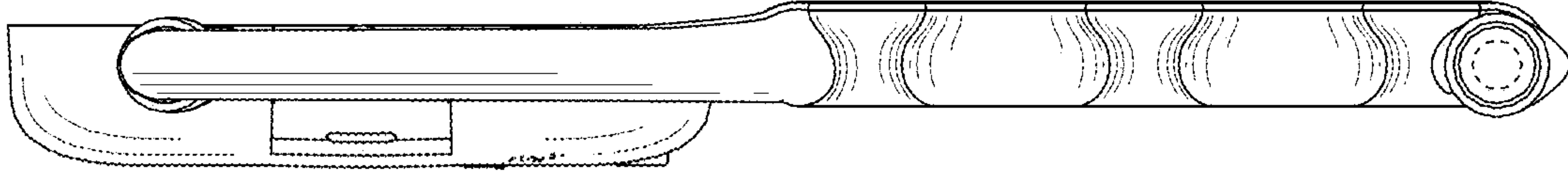


FIG. 31

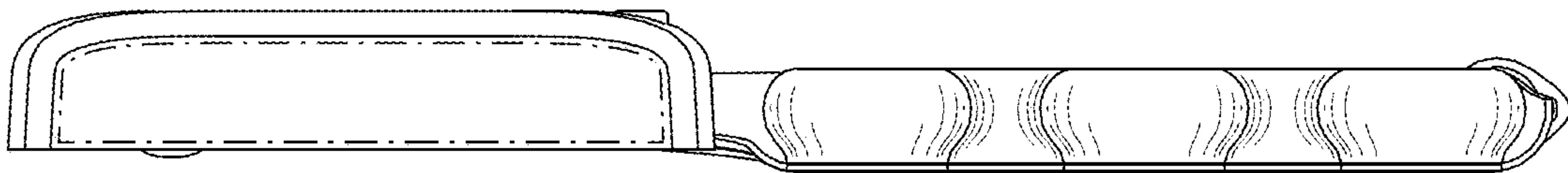


FIG. 32