



US00D948054S

(12) **United States Design Patent** (10) **Patent No.:** **US D948,054 S**
Ono (45) **Date of Patent:** **** Apr. 5, 2022**

(54) **X-RAY DIGITAL IMAGING DEVICE**

(71) Applicant: **FUJIFILM Corporation**, Tokyo (JP)

(72) Inventor: **Hirotohi Ono**, Ashigarakami-gun (JP)

(73) Assignee: **FUJIFILM Corporation**, Tokyo (JP)

(**) Term: **15 Years**

(21) Appl. No.: **29/726,297**

(22) Filed: **Mar. 2, 2020**

(30) **Foreign Application Priority Data**

Sep. 3, 2019 (JP) 2019-019643

(51) **LOC (13) Cl.** **24-01**

(52) **U.S. Cl.**
USPC **D24/158**

(58) **Field of Classification Search**
USPC D24/107, 158-161, 185, 186, 187;
D14/475, 481

CPC A61B 6/4283; A61B 6/4291; H04N 5/367;
G03B 42/04

See application file for complete search history.

(56) **References Cited**

U.S. PATENT DOCUMENTS

D751,713 S *	3/2016	Ogura	D24/158
D753,827 S *	4/2016	Sul	D24/158
D759,050 S *	6/2016	Kang	D14/485
D767,584 S *	9/2016	Xiong	D14/485
D818,591 S *	5/2018	Asai	D24/158
D888,246 S *	6/2020	Kim	D24/158
2012/0076265 A1 *	3/2012	Ohta	A61B 6/4283 378/62
2015/0276944 A1 *	10/2015	Enomoto	A61B 6/4283 378/101
2016/0081639 A1 *	3/2016	Bettouyashiki	A61B 6/4291 378/154

2019/0196035 A1 *	6/2019	Horiuchi	G01T 7/00
2020/0170608 A1 *	6/2020	Makino	A61B 6/4283
2021/0063585 A1 *	3/2021	Noguchi	A61B 6/4283

* cited by examiner

Primary Examiner — Anhdao Doan

(74) *Attorney, Agent, or Firm* — Sughrue Mion, PLLC

(57) **CLAIM**

The ornamental design for an X-ray digital imaging device, as shown and described.

DESCRIPTION

FIG. 1 is a bottom, front and right side perspective view of an X-ray digital imaging device showing my new design; FIG. 2 is a bottom, rear and left side perspective view thereof;

FIG. 3 is a front elevational view thereof;

FIG. 4 is a rear elevational view thereof;

FIG. 5 is a top plan view thereof;

FIG. 6 is a right side elevational view thereof;

FIG. 7 is a left side elevational view thereof;

FIG. 8 is an enlarged front elevational view of a portion defined by an arrow A and an arrow B of FIG. 3;

FIG. 9 is an enlarged right side elevational view of a portion defined by an arrow A and an arrow E of FIG. 6;

FIG. 10 is an enlarged perspective view of a portion defined by an arrow A and an arrow B of FIG. 3, and an arrow A and an arrow E of FIG. 6;

FIG. 11 is an enlarged rear elevational view of a portion defined by an arrow C and an arrow D of FIG. 4;

FIG. 12 is an enlarged left side elevational view of a portion defined by an arrow C and an arrow F of FIG. 7; and,

FIG. 13 is an enlarged perspective view of a portion defined by an arrow C and an arrow D of FIG. 4, and an arrow C and an arrow F of FIG. 7.

The dash-dot lines denote the boundary of the cut off ends of the enlarged portions and form no part of the claimed design.

1 Claim, 13 Drawing Sheets

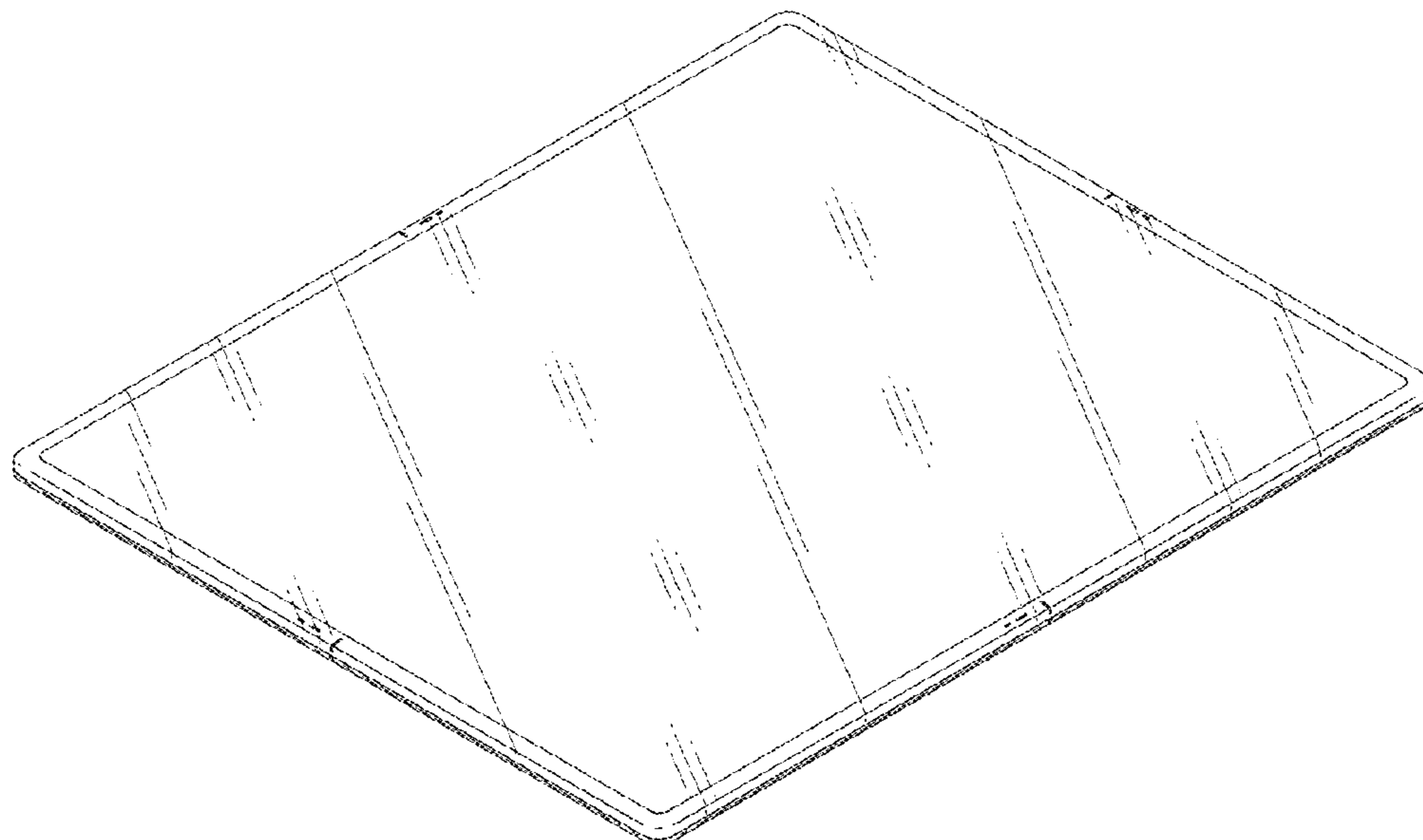


FIG. 1

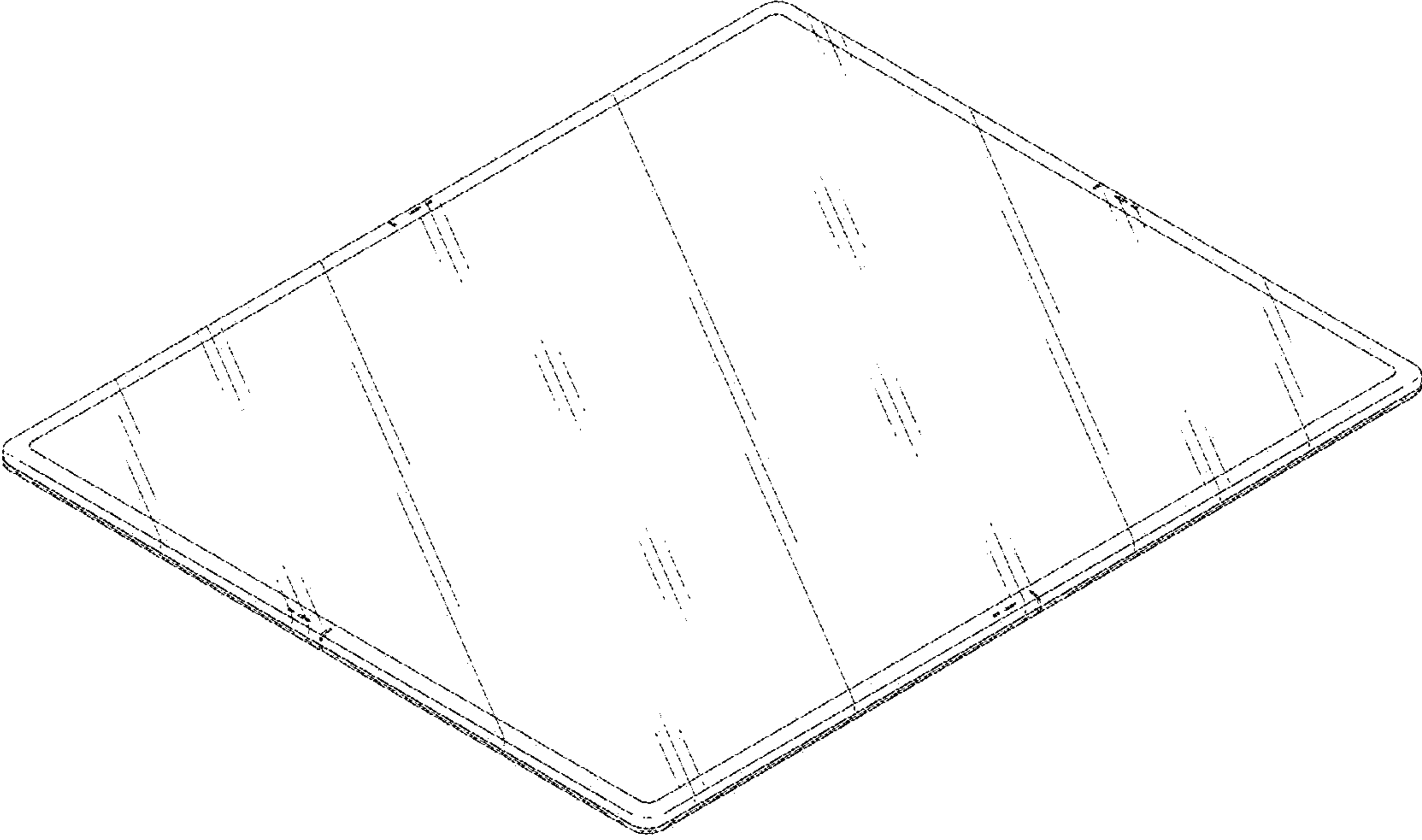


FIG. 2

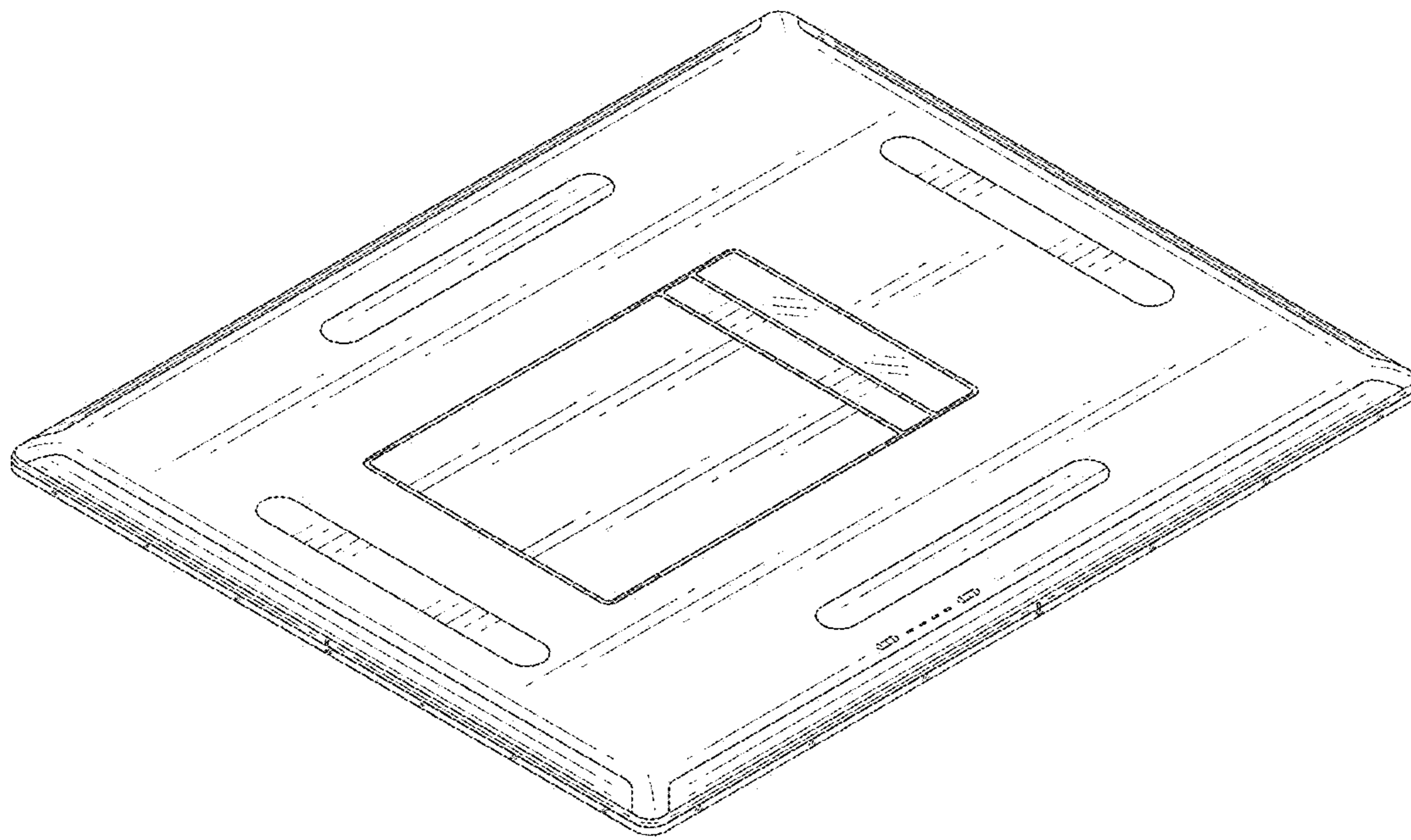


FIG. 3

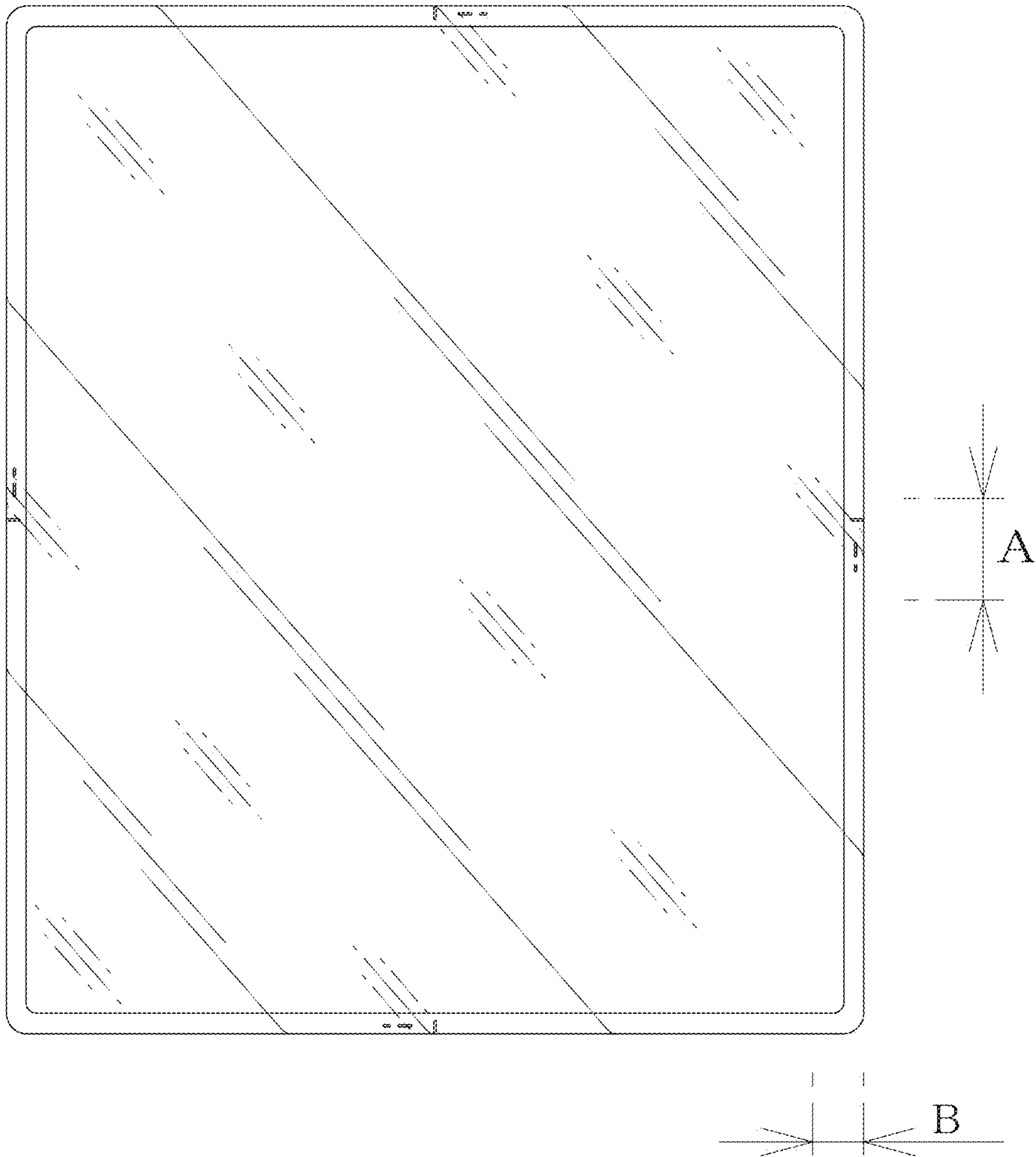


FIG. 4

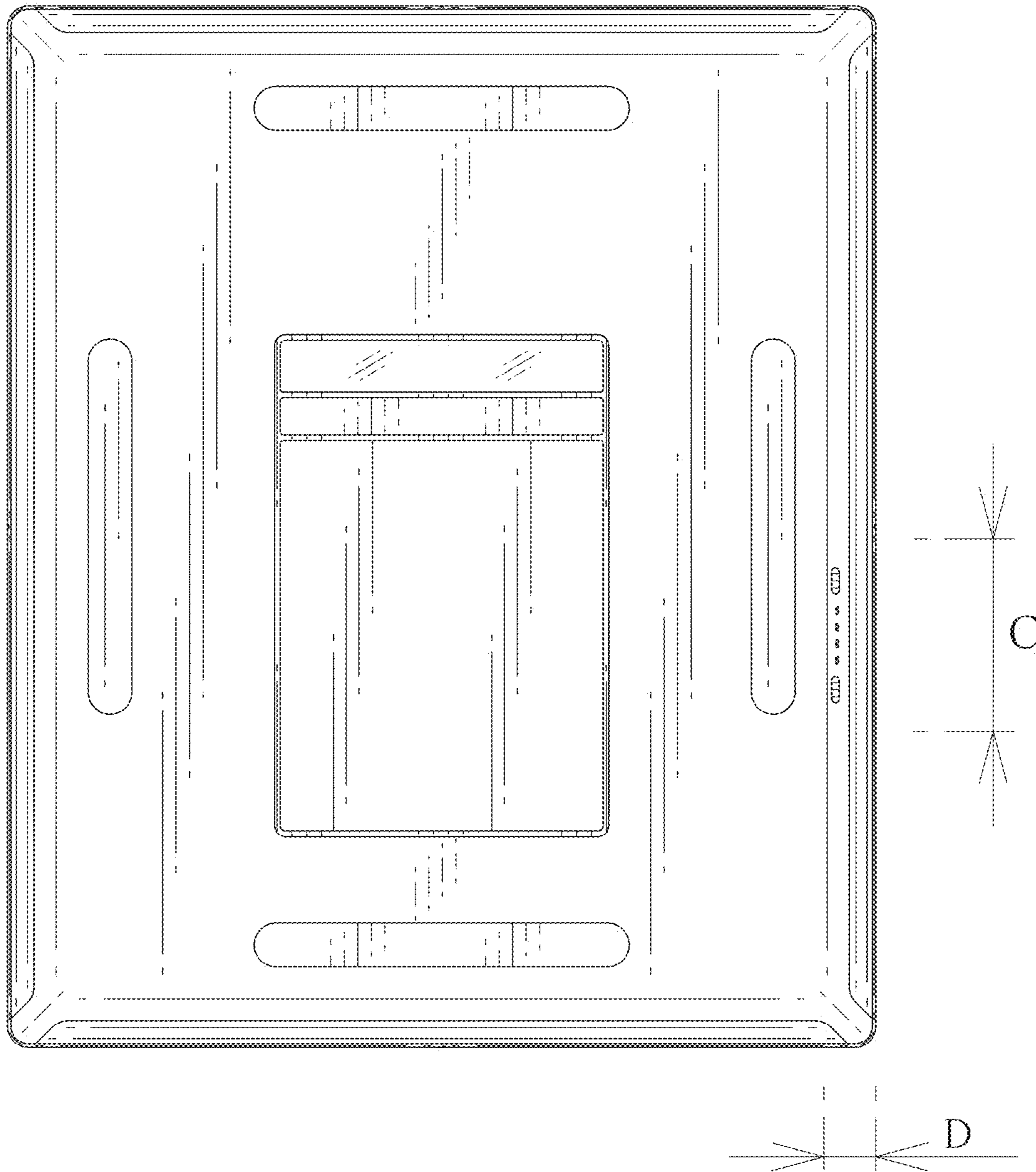


FIG. 5

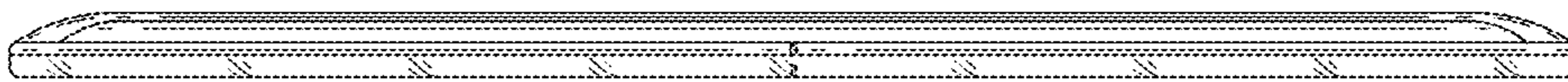


FIG. 6

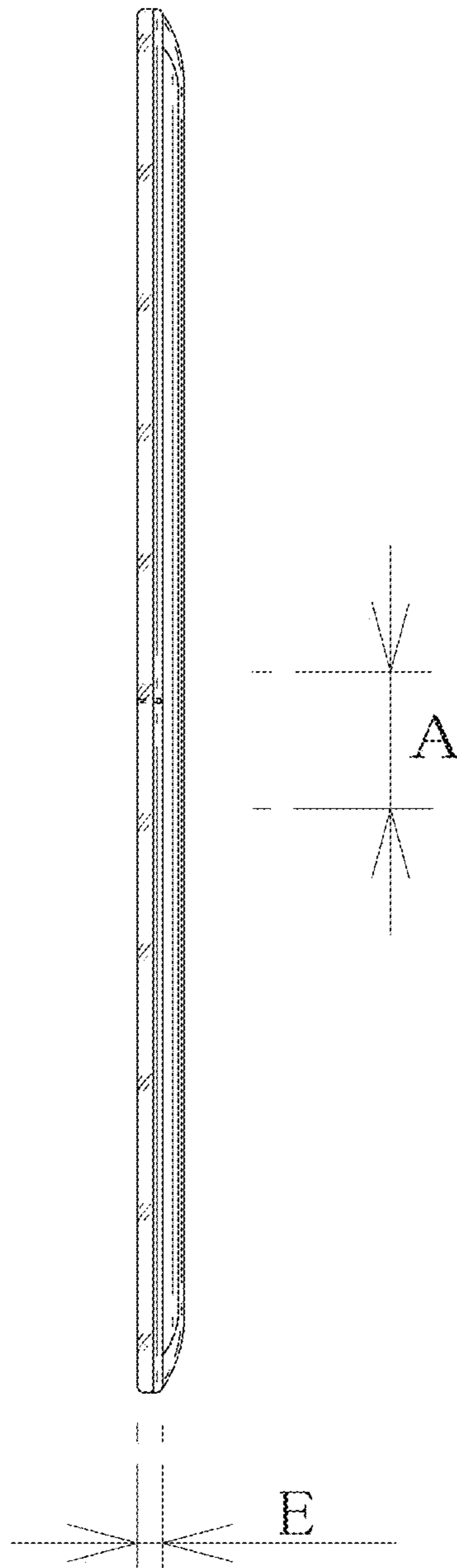


FIG. 7

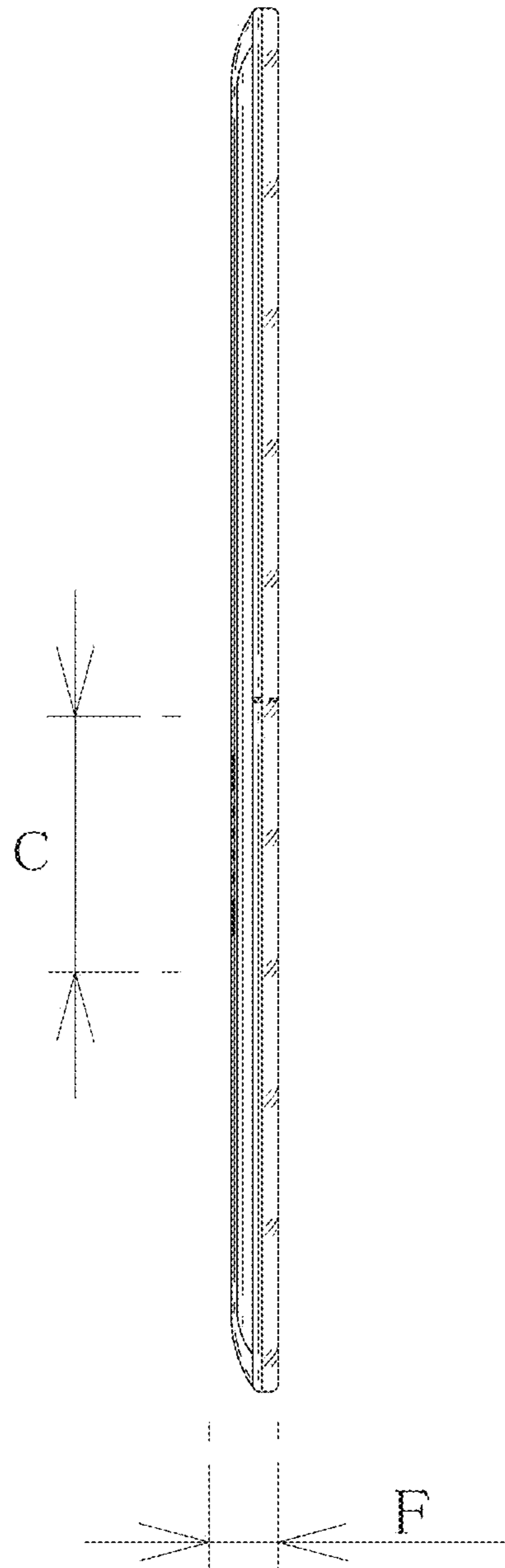


FIG. 8

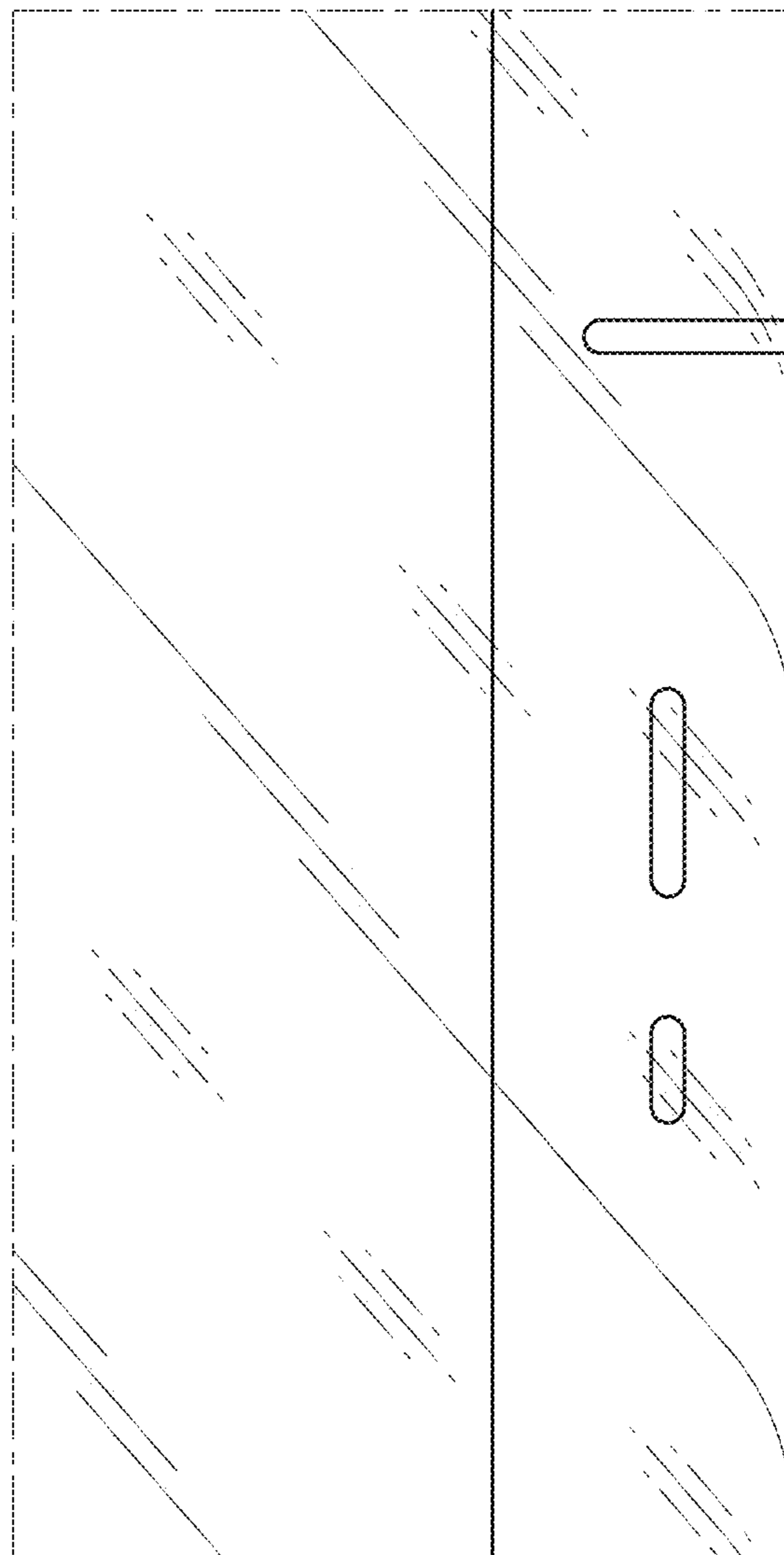


FIG. 9

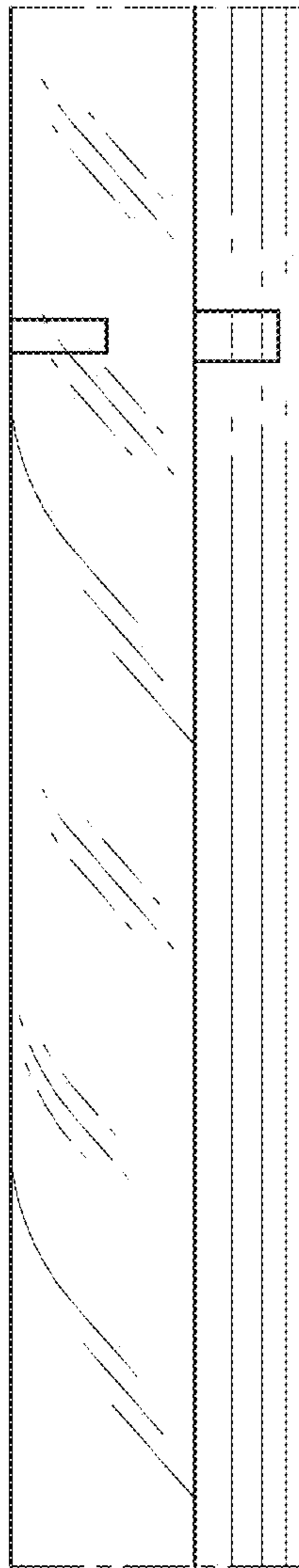


FIG. 10

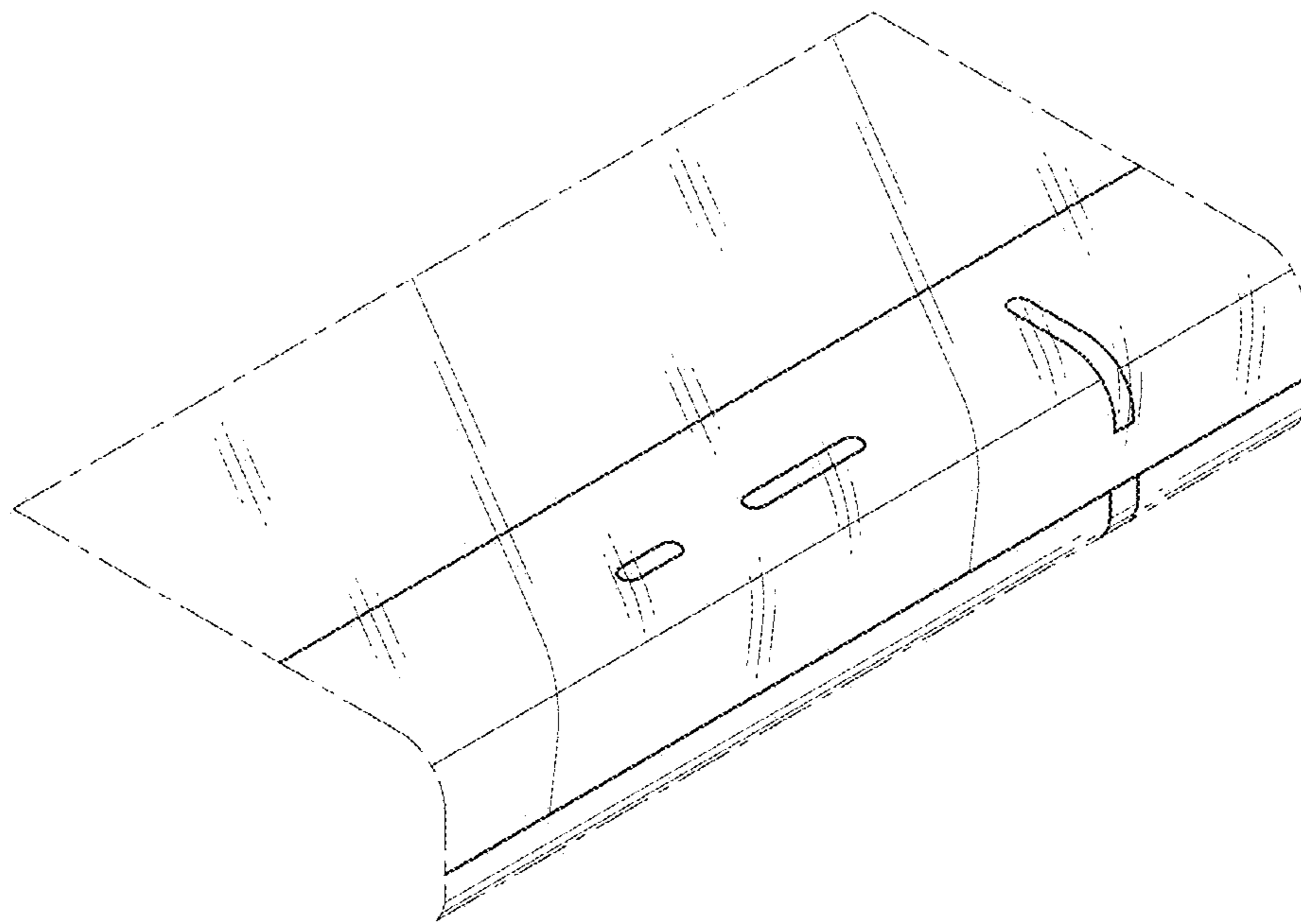


FIG. 11

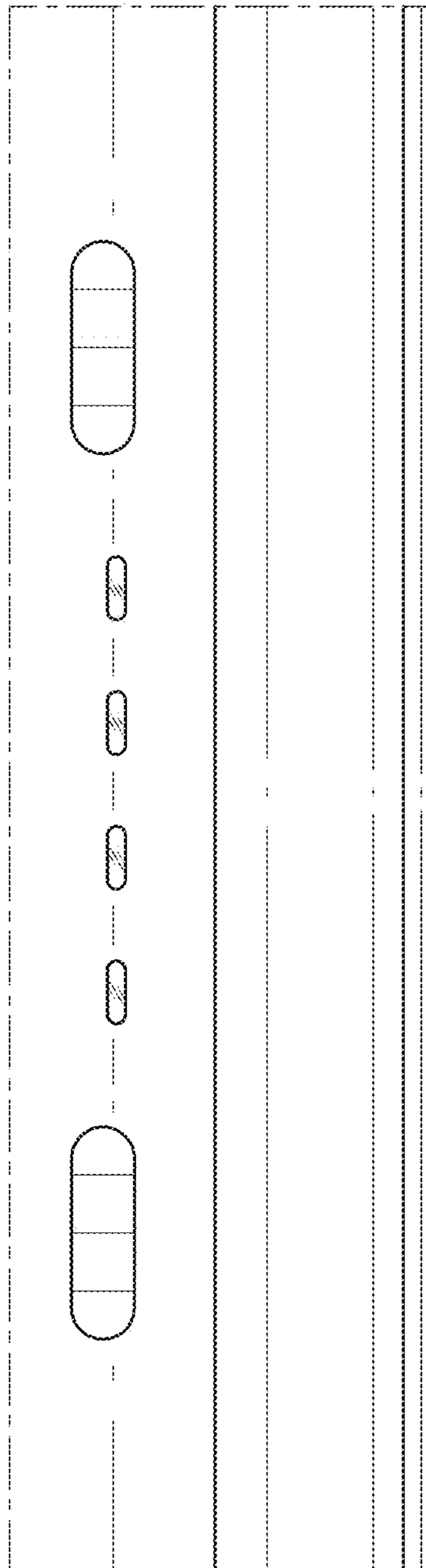


FIG. 12

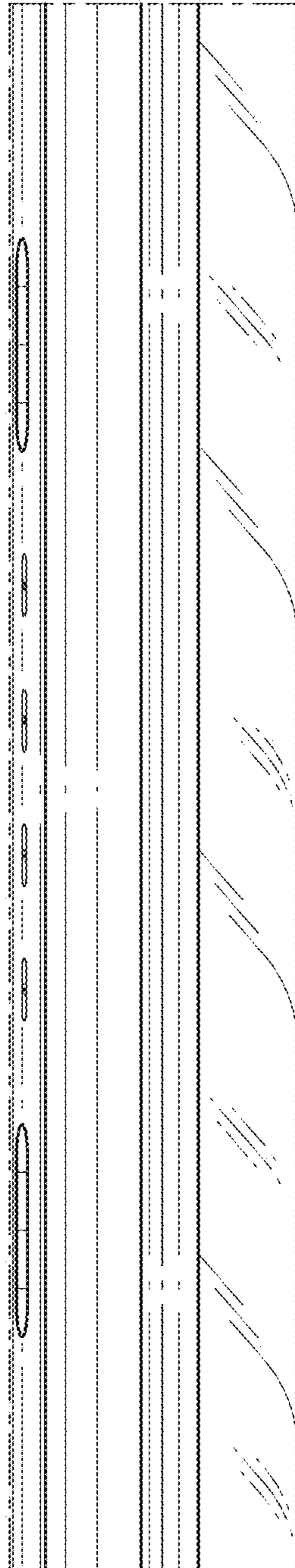


FIG. 13

