



US00D948053S

(12) **United States Design Patent** (10) **Patent No.:** **US D948,053 S**
Ono (45) **Date of Patent:** **** Apr. 5, 2022**

(54) **X-RAY DIGITAL IMAGING DEVICE**
(71) Applicant: **FUJIFILM Corporation**, Tokyo (JP)
(72) Inventor: **Hirotohi Ono**, Ashigarakami-gun (JP)
(73) Assignee: **FUJIFILM Corporation**, Tokyo (JP)

(**) Term: **15 Years**

(21) Appl. No.: **29/726,287**

(22) Filed: **Mar. 2, 2020**

(30) **Foreign Application Priority Data**

Sep. 3, 2019 (JP) 2019-019640

(51) **LOC (13) Cl.** **24-01**

(52) **U.S. Cl.**
USPC **D24/158**

(58) **Field of Classification Search**
USPC D24/107, 158–161, 185, 186, 187;
D14/475, 481, 485
CPC A61B 6/4283; A61B 6/4291; H04N 5/367;
G03B 42/04
See application file for complete search history.

(56) **References Cited**

U.S. PATENT DOCUMENTS

D751,713 S * 3/2016 Ogura D24/158
D753,827 S * 4/2016 Sul D24/158
D759,050 S * 6/2016 Kang D14/485
D767,584 S * 9/2016 Xiong D14/485
D818,591 S * 5/2018 Asai D24/158
D888,246 S * 6/2020 Kim D24/158
2012/0076265 A1 * 3/2012 Ohta A61B 6/4283
378/62

2015/0276944 A1* 10/2015 Enomoto A61B 6/4283
378/101
2016/0081639 A1* 3/2016 Bettouyashiki A61B 6/4291
378/154
2019/0196035 A1* 6/2019 Horiuchi G01T 7/00
2020/0170608 A1* 6/2020 Makino A61B 6/4283
2021/0063585 A1* 3/2021 Noguchi A61B 6/4283

* cited by examiner

Primary Examiner — Anhdao Doan

(74) *Attorney, Agent, or Firm* — Sughrue Mion, PLLC

(57) **CLAIM**

The ornamental design for an X-ray digital imaging device, as shown and described.

DESCRIPTION

FIG. 1 is a bottom, front and right side perspective view of an X-ray digital imaging device showing my new design; FIG. 2 is a bottom, rear and left side perspective view thereof; FIG. 3 is a front elevational view thereof; FIG. 4 is a rear elevational view thereof; FIG. 5 is a top plan view thereof; FIG. 6 is a right side elevational view thereof; and, FIG. 7 is an enlarged front elevational view of a portion defined by an arrow A and an arrow B of FIG. 4. The broken lines depict portions of the X-ray digital imaging device in which the design is embodied that form no part of the claimed design. The dash-dot lines denote the boundary of the cut off ends of the enlarged portions and form no part of the claimed design.

1 Claim, 7 Drawing Sheets

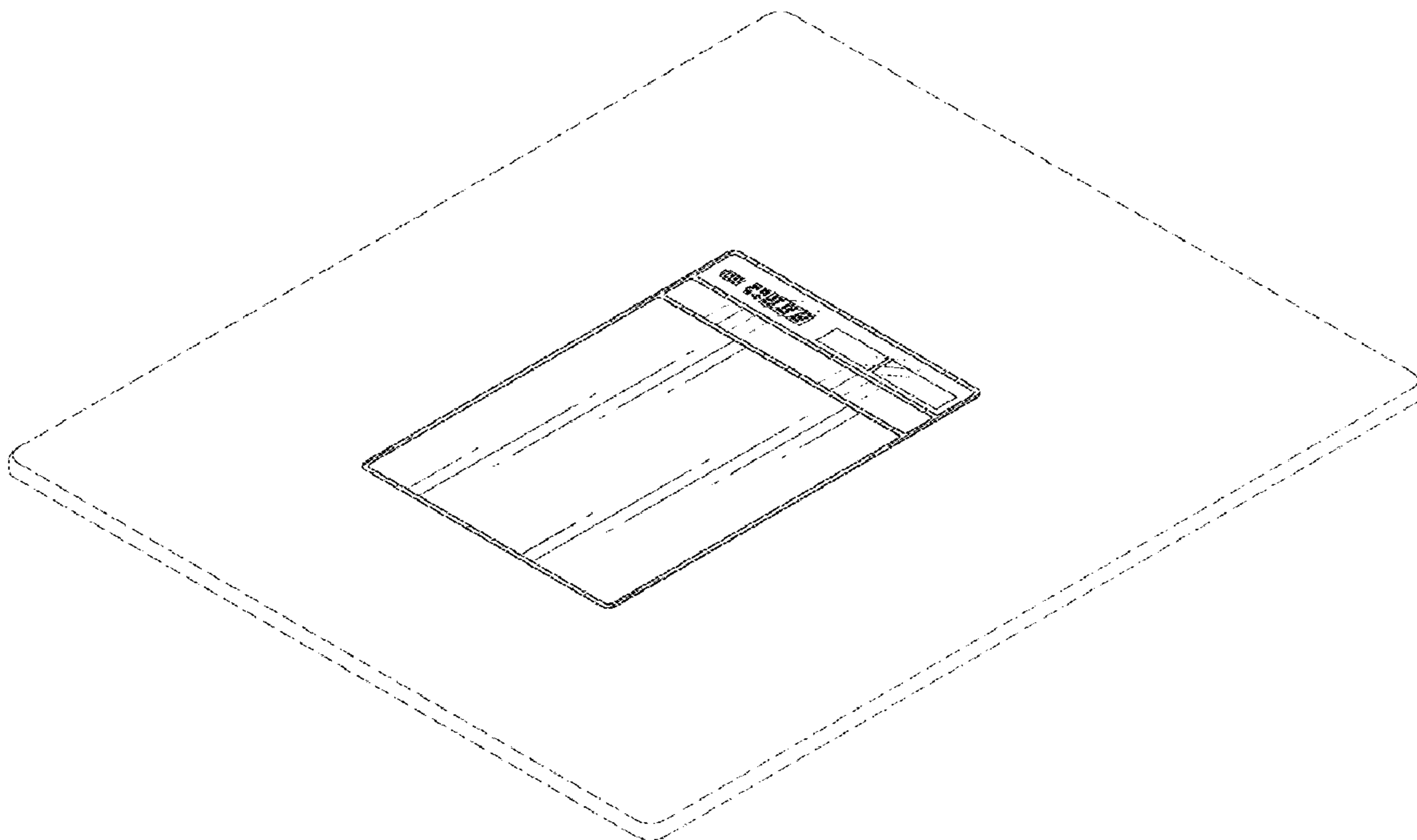


FIG. 1

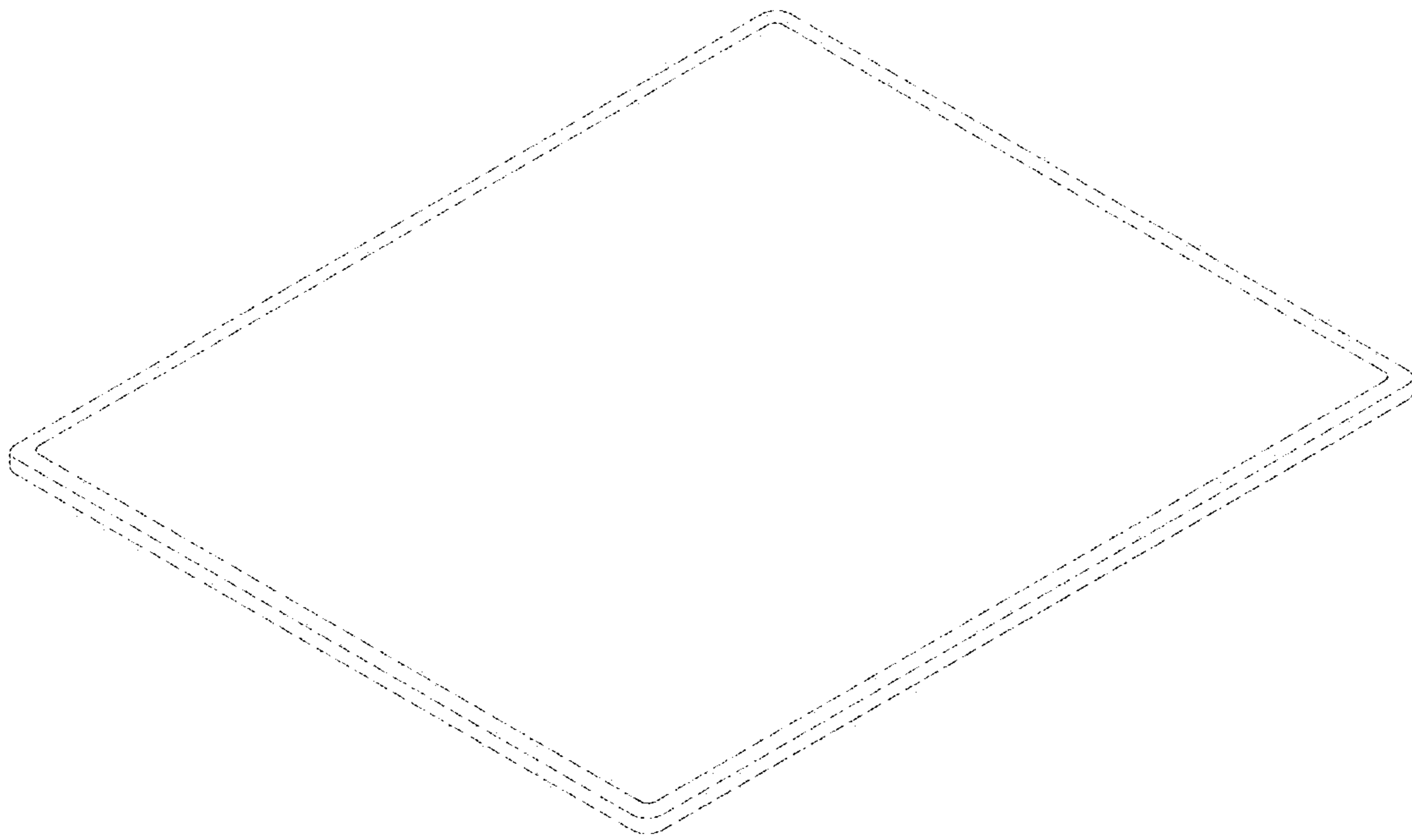


FIG. 2

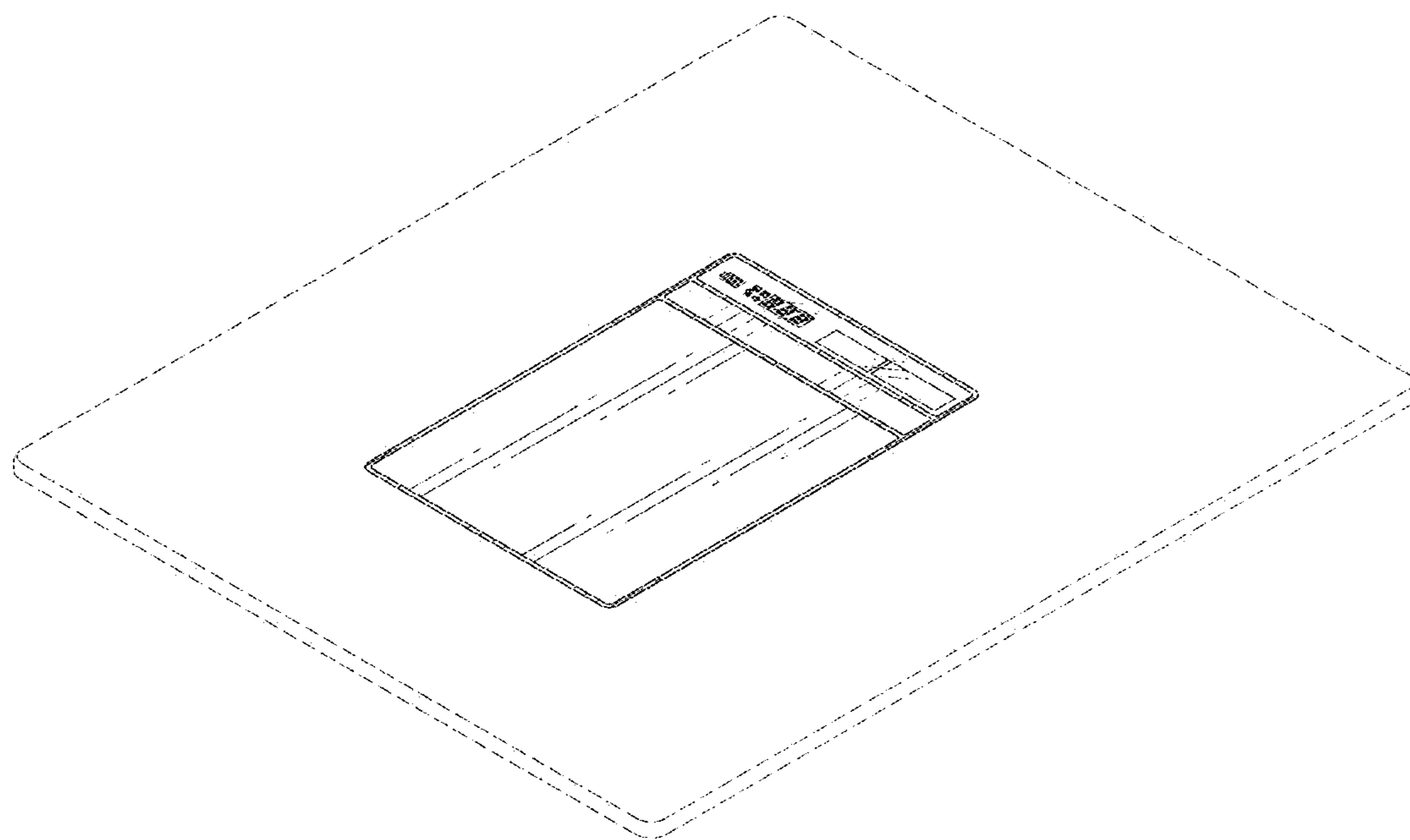


FIG. 3

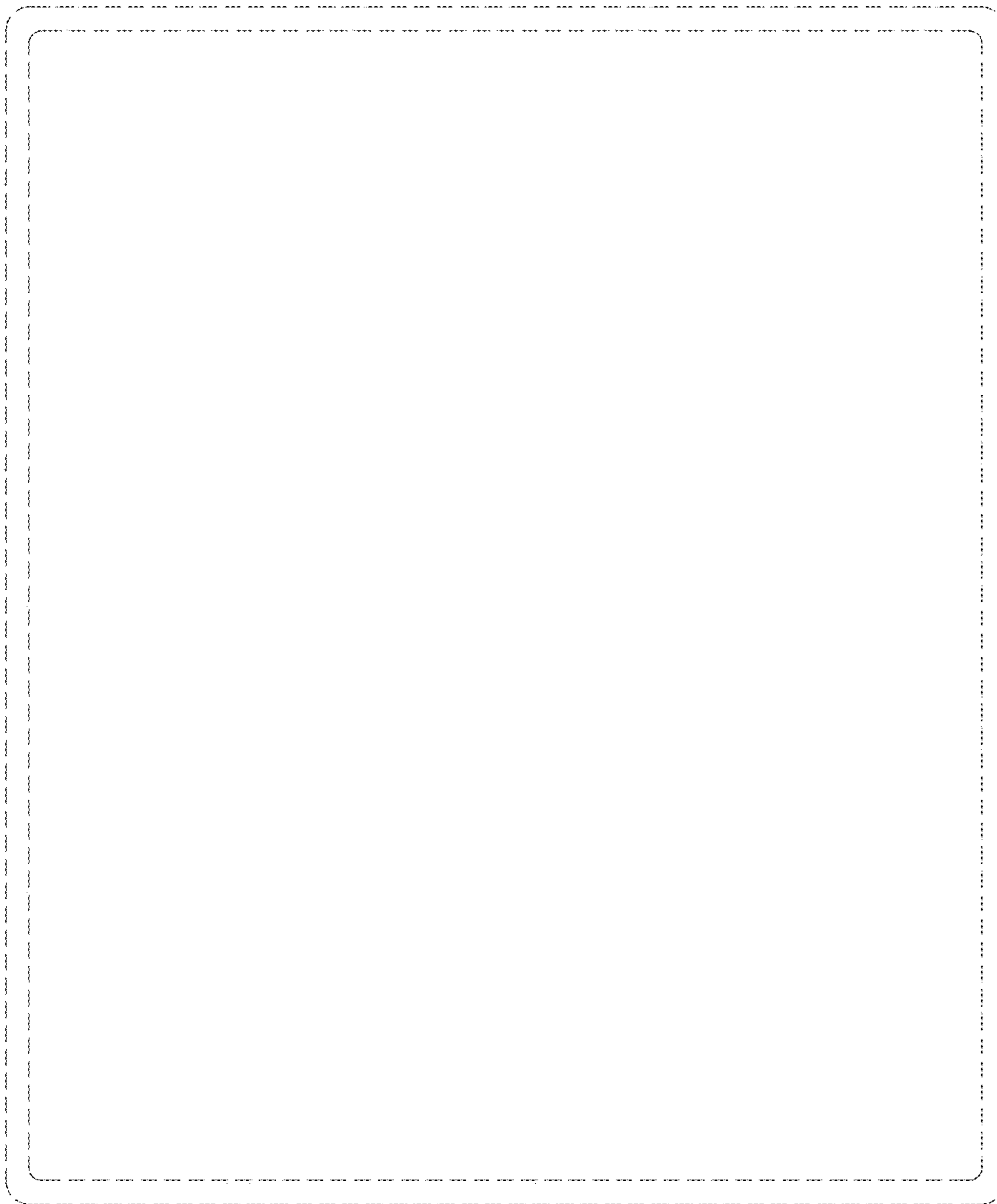


FIG. 4

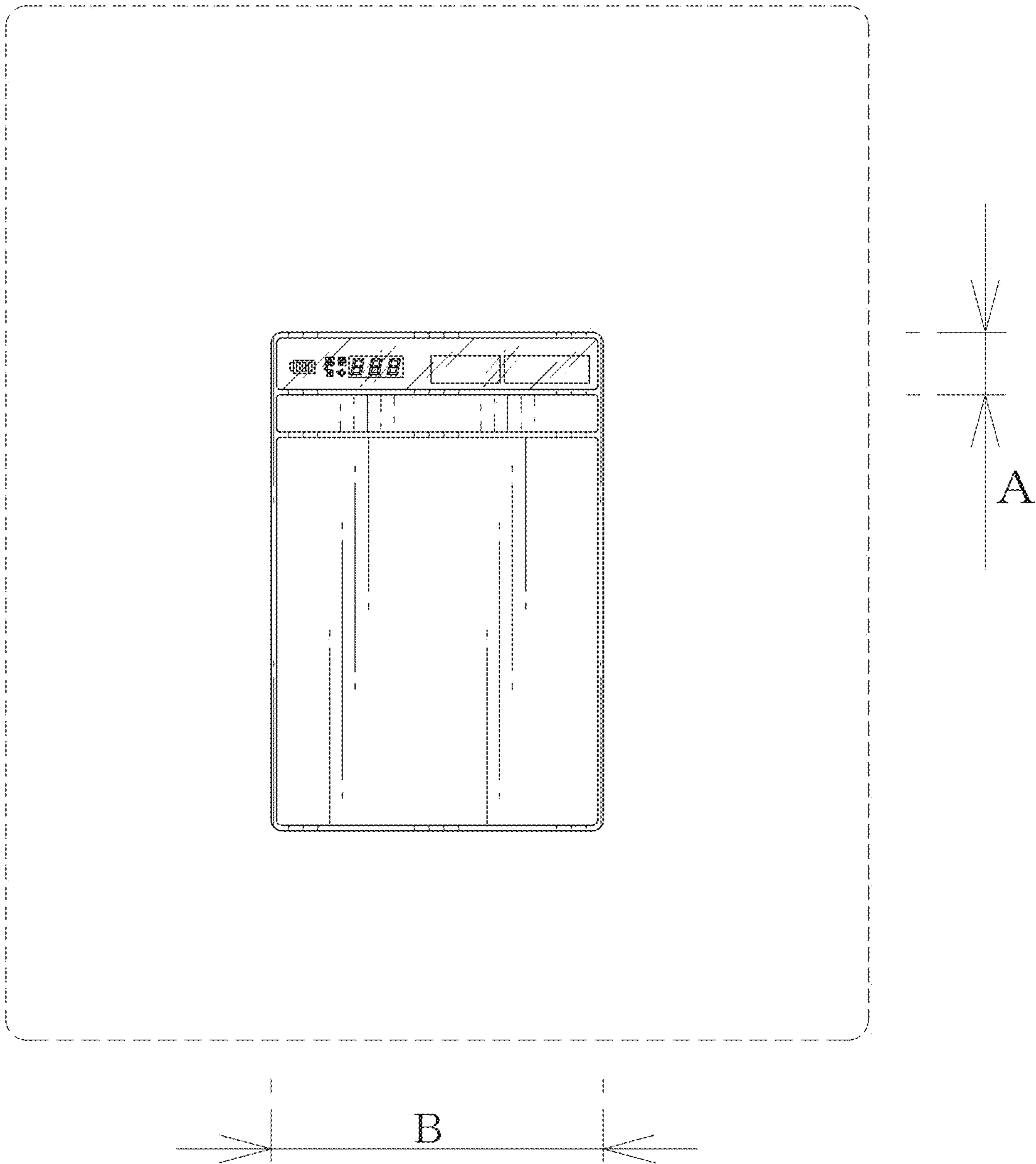


FIG. 5

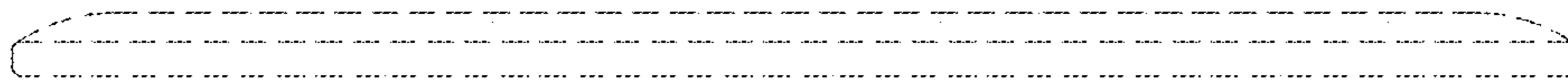


FIG. 6

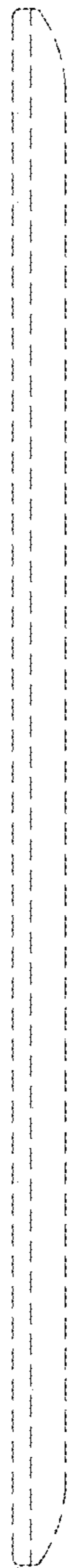


FIG. 7

