



US00D948051S

(12) **United States Design Patent** (10) **Patent No.:** **US D948,051 S**
Kang (45) **Date of Patent:** **** Apr. 5, 2022**

(54) **PART FOR SPINAL FUSION CAGE**

(71) Applicant: **L&K BIOMED CO., LTD.**, Yongin-si (KR)

(72) Inventor: **Gook Jin Kang**, Seoul (KR)

(**) Term: **15 Years**

(21) Appl. No.: **35/510,461**

(22) Filed: **Mar. 27, 2020**

(80) **Hague Agreement Data**

Int. Filing Date: **Mar. 27, 2020**
Int. Reg. No.: **DM/208108**
Int. Reg. Date: **Mar. 27, 2020**
Int. Reg. Pub. Date: **Oct. 2, 2020**

(30) **Foreign Application Priority Data**

Oct. 7, 2019 (KR) 30-2019-0047894

(51) **LOC (13) Cl.** **24-03**

(52) **U.S. Cl.**
USPC **D24/155**

(58) **Field of Classification Search**
USPC D24/155; D21/478-480, 484
CPC A61F 2/447; A61F 2/30771; A61F 2/4425
See application file for complete search history.

(56) **References Cited**

U.S. PATENT DOCUMENTS

D503,801 S * 4/2005 Jackson D24/155
D530,423 S * 10/2006 Miles D24/155
D546,899 S * 7/2007 Sorensen D21/484
D553,742 S * 10/2007 Park D24/155
D765,846 S * 9/2016 Lins D24/155
D847,339 S * 4/2019 Abbasi D24/155
D849,946 S * 5/2019 Gustine D24/155
D851,773 S * 6/2019 Nishikawa D24/186
10,588,676 B2 * 3/2020 Kang A61B 17/8695
10,660,684 B2 * 5/2020 Kang A61F 2/44

D912,163 S * 3/2021 De Wilde D21/484
11,065,043 B2 * 7/2021 Lee A61B 17/8042
D929,594 S * 8/2021 Sin D24/155
D930,160 S * 9/2021 Sin D24/155
2016/0158024 A1 * 6/2016 Etminan A61F 2/442
623/17.16
2016/0338846 A1 * 11/2016 Walker A61F 2/4611
2018/0200063 A1 * 7/2018 Kahmer A61F 2/4455
2020/0170686 A1 * 6/2020 Lauf A61F 2/447
2021/0085476 A1 * 3/2021 Valkoun A61F 2/447

OTHER PUBLICATIONS

Ortho Spine News. Aegis Spine, Inc., an innovative subsidiary of L&K BioMed, is proud and eager to announce FDA 510(k) clearance of the new AccelFix Expandable Cage System. Oct. 8, 2019. <https://bit.ly/3DO9iaC> (Year: 2019).*
LnK Lumbar Interbody Fusion Cage System. Surgical Technique. 2019. http://aegisortho.com.au/wp-content/uploads/2019/01/LnK-Lumbar-Interbody-_Surgical-technique.pdf (Year: 2019).*

* cited by examiner

Primary Examiner — Darcey E Gottschalk

(57) **CLAIM**

The ornamental design for a part for a spinal fusion cage, as shown and described.

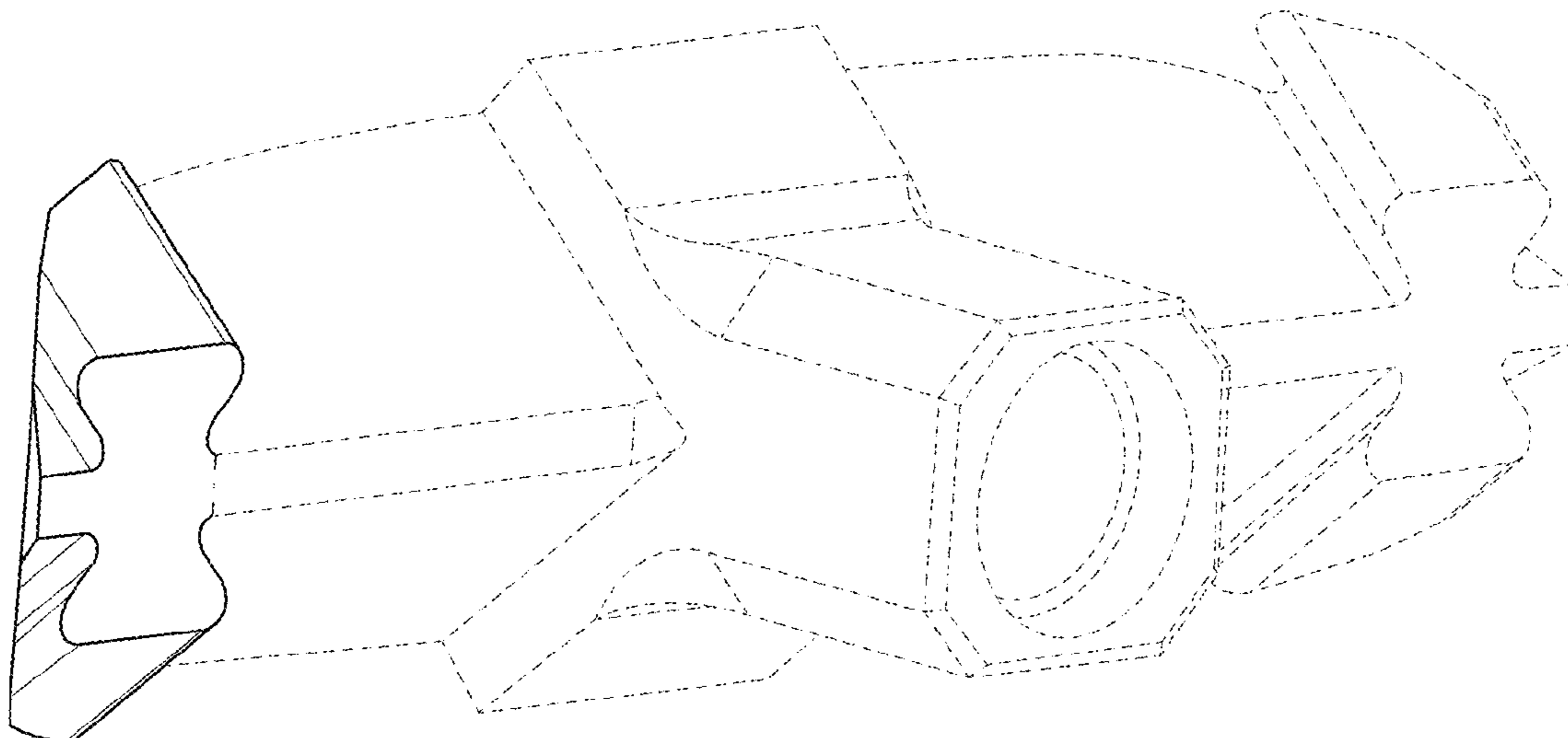
DESCRIPTION

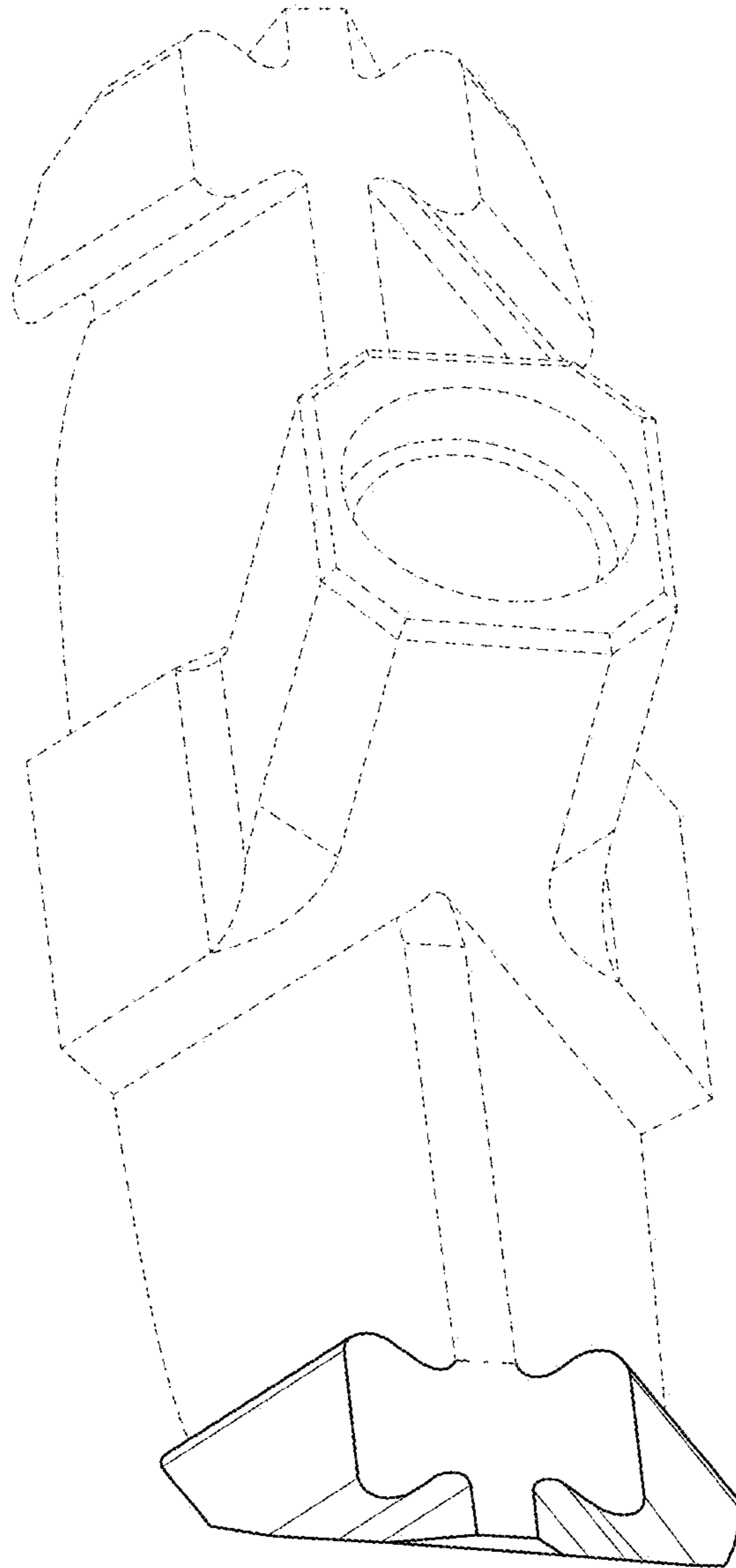
1. Part for spinal fusion cage

- 1.1 : Perspective
- 1.2 : Front
- 1.3 : Back
- 1.4 : Left
- 1.5 : Right
- 1.6 : Top
- 1.7 : Bottom

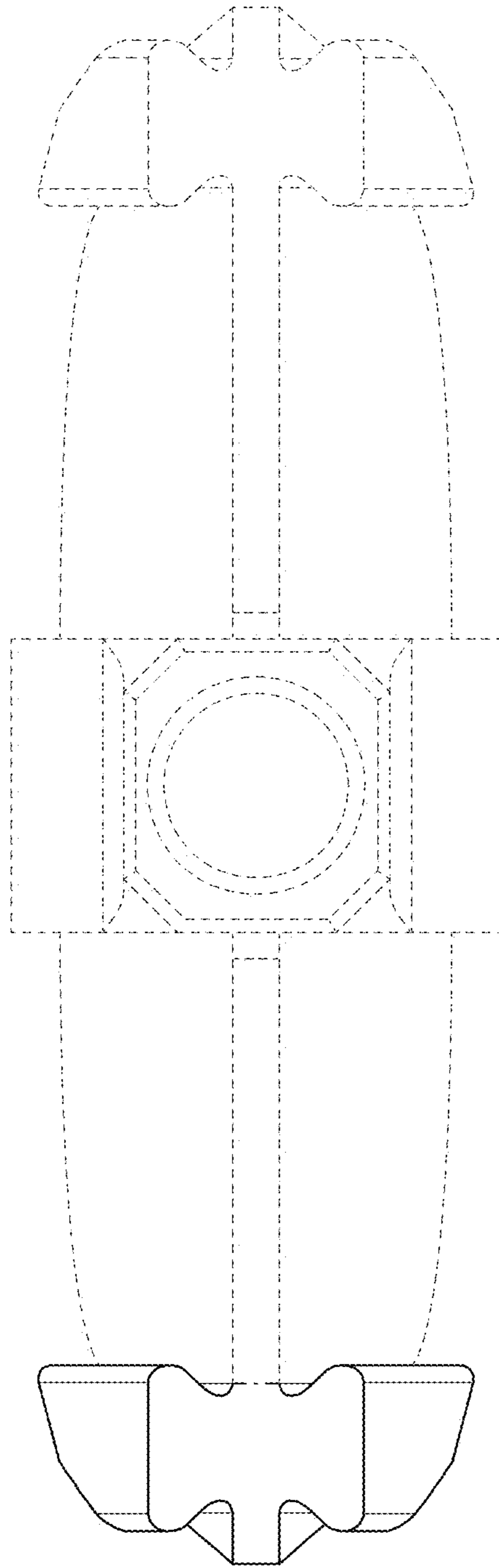
In the reproductions, the evenly-spaced broken lines show portions of a spinal fusion cage that form no part of the claim; the dash-dot-dash lines represent boundaries of the claimed design that form no part thereof.

1 Claim, 7 Drawing Sheets

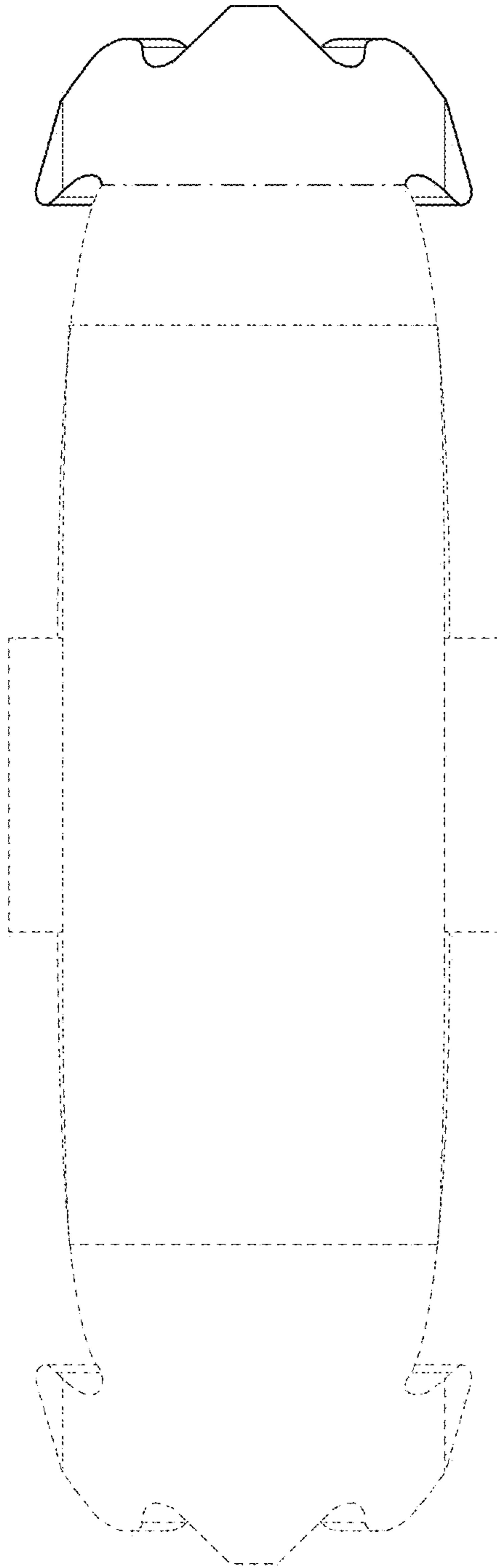




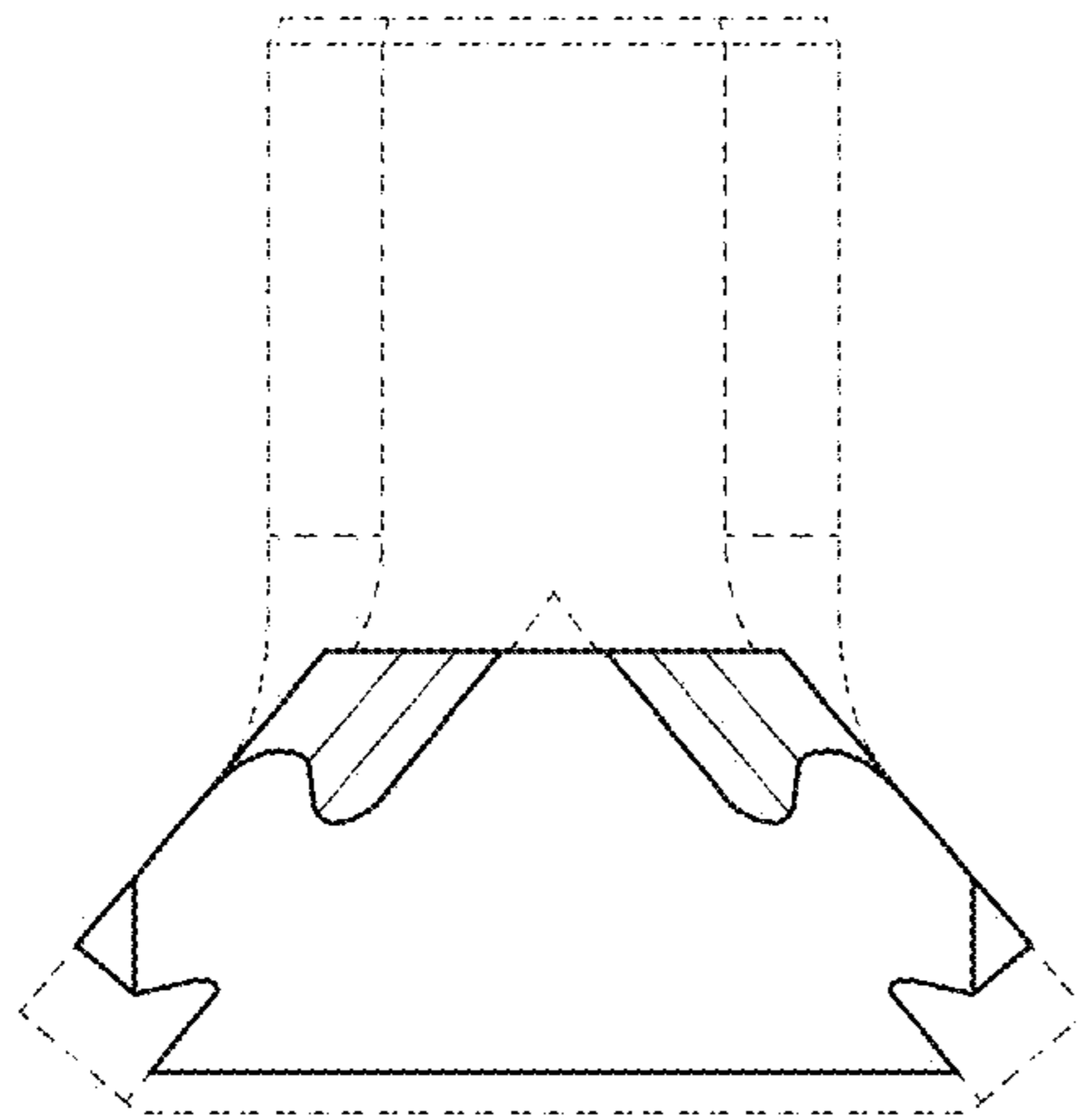
1.1



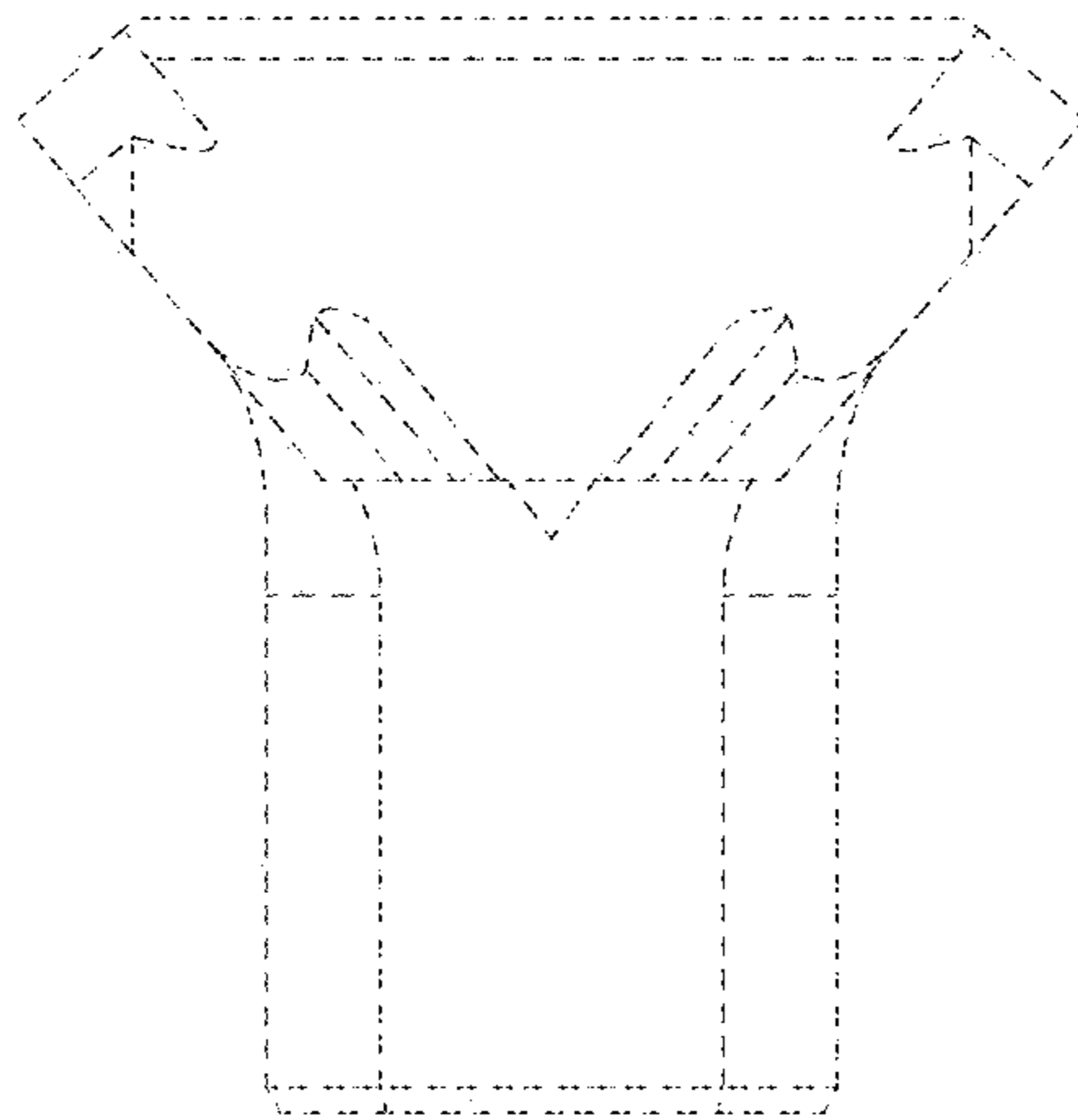
1.2



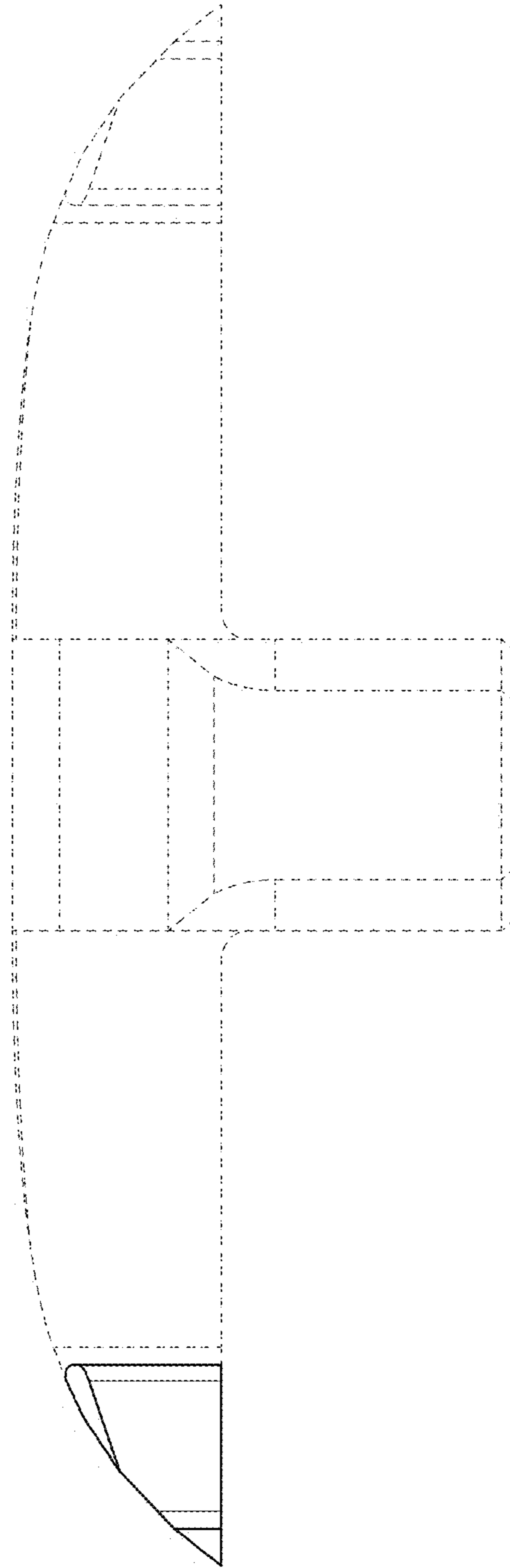
1.3



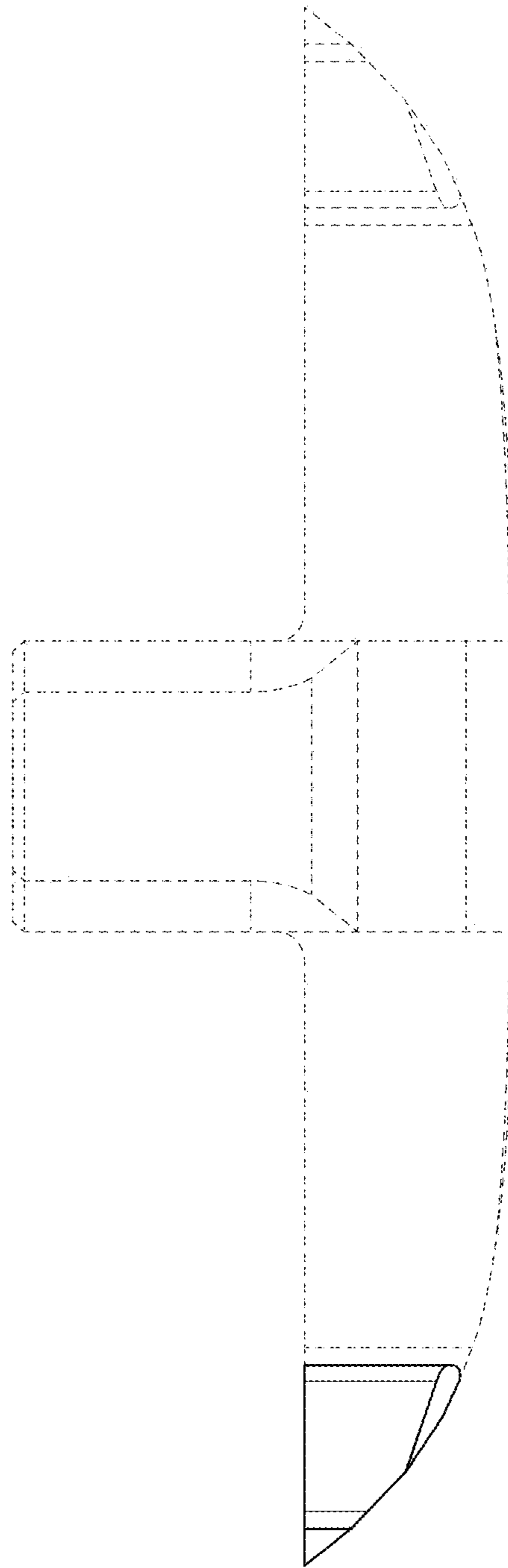
1.4



1.5



1.6



1.7