



US00D948045S

(12) **United States Design Patent** (10) **Patent No.:** **US D948,045 S**
Sweeney et al. (45) **Date of Patent:** **** Apr. 5, 2022**

(54) **BONE INSTRUMENT SHANK** D378,314 S * 3/1997 Koros D24/155
D390,956 S * 2/1998 Sjostrom D24/146
6,186,712 B1 * 2/2001 Senzaki B23B 31/026
279/125
(71) Applicant: **Spinal Generations, LLC**, Mokena, IL (US) D441,448 S 5/2001 Kumar
D449,504 S * 10/2001 Boyle D8/70
D574,958 S 8/2008 Schendel et al.
D606,196 S * 12/2009 Fares D24/156
D614,941 S 5/2010 Murphy
D637,289 S * 5/2011 Berberich D24/146
D652,929 S * 1/2012 Sibhatu D24/156
(72) Inventors: **Patrick J. Sweeney**, Flossmoor, IL (US); **Matthew V. Leyden**, St. Paul, MN (US)
(73) Assignee: **Spinal Generations, LLC**, Mokena, IL (US)
(**) Term: **15 Years** (Continued)

FOREIGN PATENT DOCUMENTS

(21) Appl. No.: **29/725,657**

GB 9006574711-0001 * 12/2018

(22) Filed: **Feb. 26, 2020**

Primary Examiner — L. A. Grabenstetter

(74) *Attorney, Agent, or Firm* — Foley & Lardner LLP

Related U.S. Application Data

(63) Continuation-in-part of application No. 29/696,644, filed on Jun. 28, 2019, now Pat. No. Des. 926,321, which is a continuation of application No. 29/673,291, filed on Dec. 13, 2018, now Pat. No. Des. 926,320.

(51) **LOC (13) Cl.** **24-02**

(52) **U.S. Cl.**
USPC **D24/146**

(58) **Field of Classification Search**
USPC D8/70, 354; D24/127, 128, 133, 140, D24/145–147, 155, 156; D15/21, 139
CPC A61B 17/1615; A61B 17/1697
See application file for complete search history.

(56) **References Cited**

U.S. PATENT DOCUMENTS

D242,428 S 11/1976 Morris
D358,212 S 5/1995 Sullivan
D362,720 S * 9/1995 Holmen D24/155
D366,115 S 1/1996 Sullivan

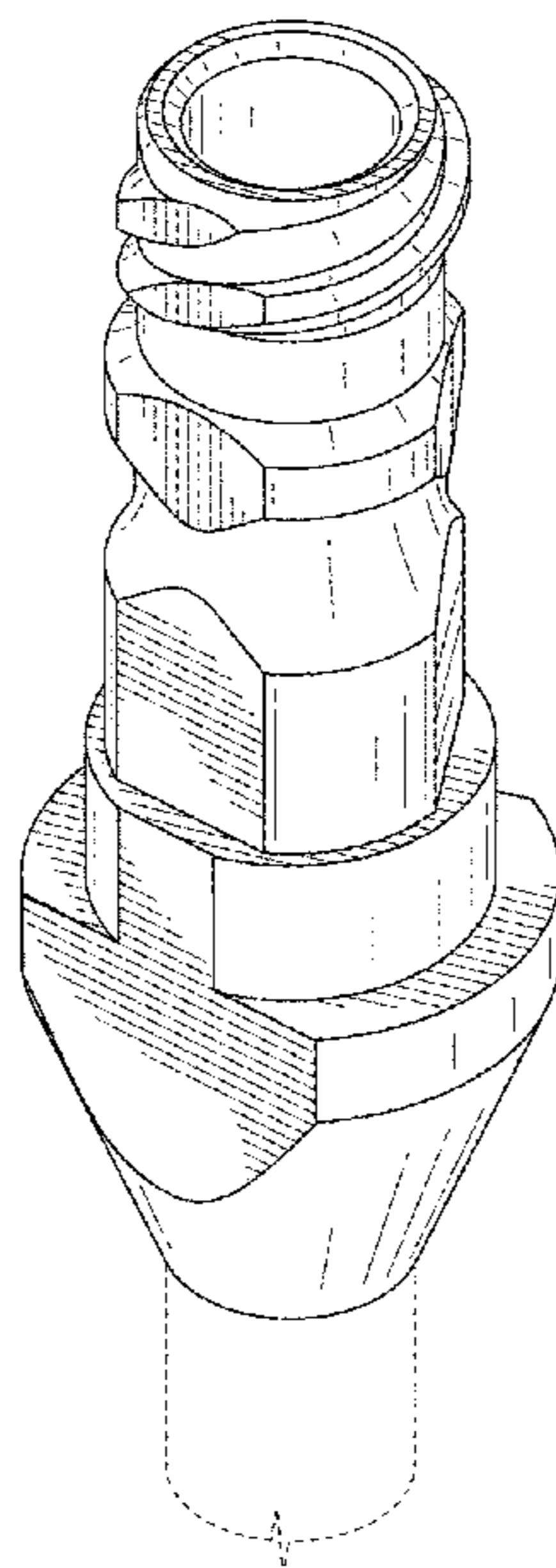
(57) **CLAIM**

We claim the ornamental design for a bone instrument shank, as shown and described.

DESCRIPTION

FIG. 1 is a front, right perspective view of the claimed design;
FIG. 2 is a rear right perspective view of the claimed design of FIG. 1;
FIG. 3 is a front side view of the claimed design of FIG. 1;
FIG. 4 is a rear side view of the claimed design of FIG. 1;
FIG. 5 is a left side view of the claimed design of FIG. 1;
FIG. 6 is a right side view of the claimed design of FIG. 1;
FIG. 7 is cross-sectional view of the claimed design of FIG. 1;
FIG. 8 is a top view of the claimed design of FIG. 1; and,
FIG. 9 is a bottom view of the claimed design of FIG. 1.
The broken lines depict portions of the bone instrument shank that form no part of the claimed design.

1 Claim, 5 Drawing Sheets



(56)

References Cited

U.S. PATENT DOCUMENTS

D666,298 S * 8/2012 Sibhatu D24/156
D706,893 S 6/2014 Diederich
D710,175 S * 8/2014 Moss D8/70
D732,669 S * 6/2015 Fislser D24/156
D744,106 S 11/2015 Voudouris
D773,926 S 12/2016 Sweeney et al.
D801,796 S 11/2017 Sweeney et al.
D803,038 S 11/2017 Baker et al.
D803,039 S 11/2017 Karlsson
D828,153 S 9/2018 Sato
D830,820 S 10/2018 Sweeney
D831,475 S 10/2018 Sweeney et al.
D831,476 S 10/2018 Sweeney et al.
D836,976 S 1/2019 Reese et al.
D837,047 S 1/2019 Lin
D882,085 S * 4/2020 Sweeney D24/146
2005/0107800 A1 5/2005 Frankel et al.
2009/0228012 A1 9/2009 Gangji et al.
2010/0036381 A1 2/2010 Vanleeuwen et al.
2011/0054537 A1 3/2011 Miller et al.
2011/0056166 A1 3/2011 Bartlett
2011/0112436 A1 5/2011 Jones et al.
2011/0257691 A1 10/2011 Sutterlin et al.
2012/0035670 A1 * 2/2012 Jackson A61B 17/7032
606/305
2012/0143266 A1 * 6/2012 Jackson A61B 17/7076
606/328
2013/0060293 A1 * 3/2013 Jackson A61B 17/8605
606/305
2014/0309641 A1 * 10/2014 Bourque A61B 17/16
606/80
2018/0243018 A1 8/2018 Lintula et al.
2020/0187960 A1 * 6/2020 Sweeney A61B 10/025

* cited by examiner

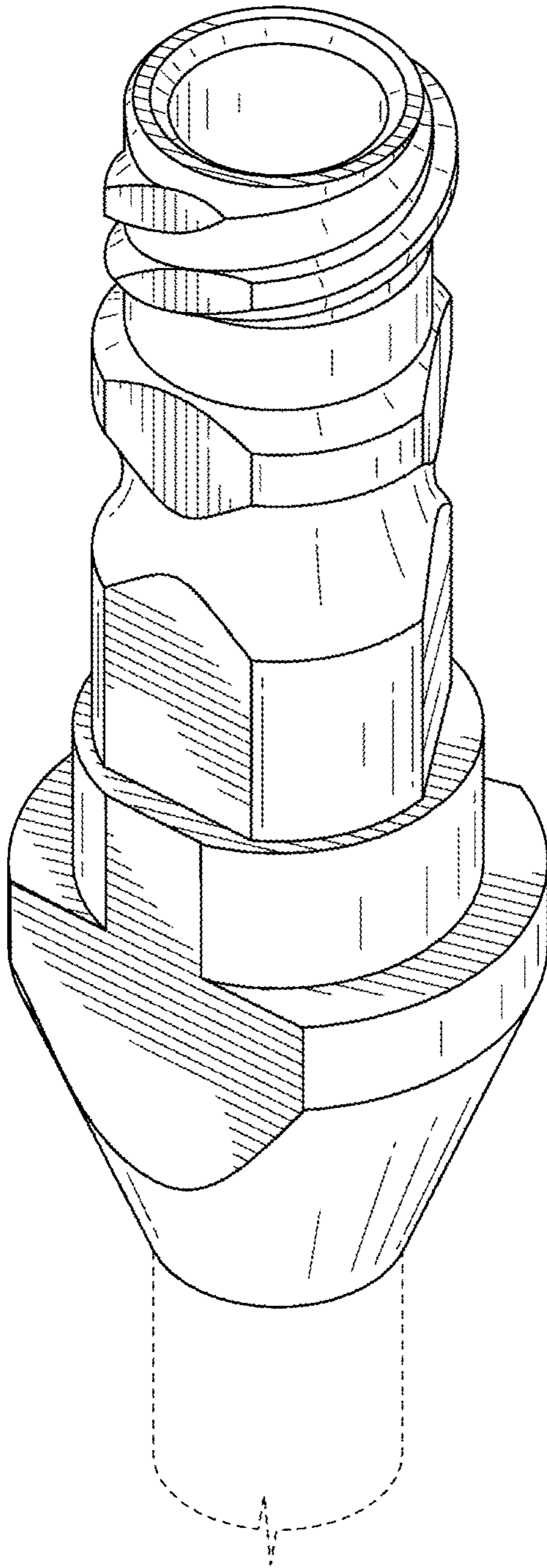


FIG. 1

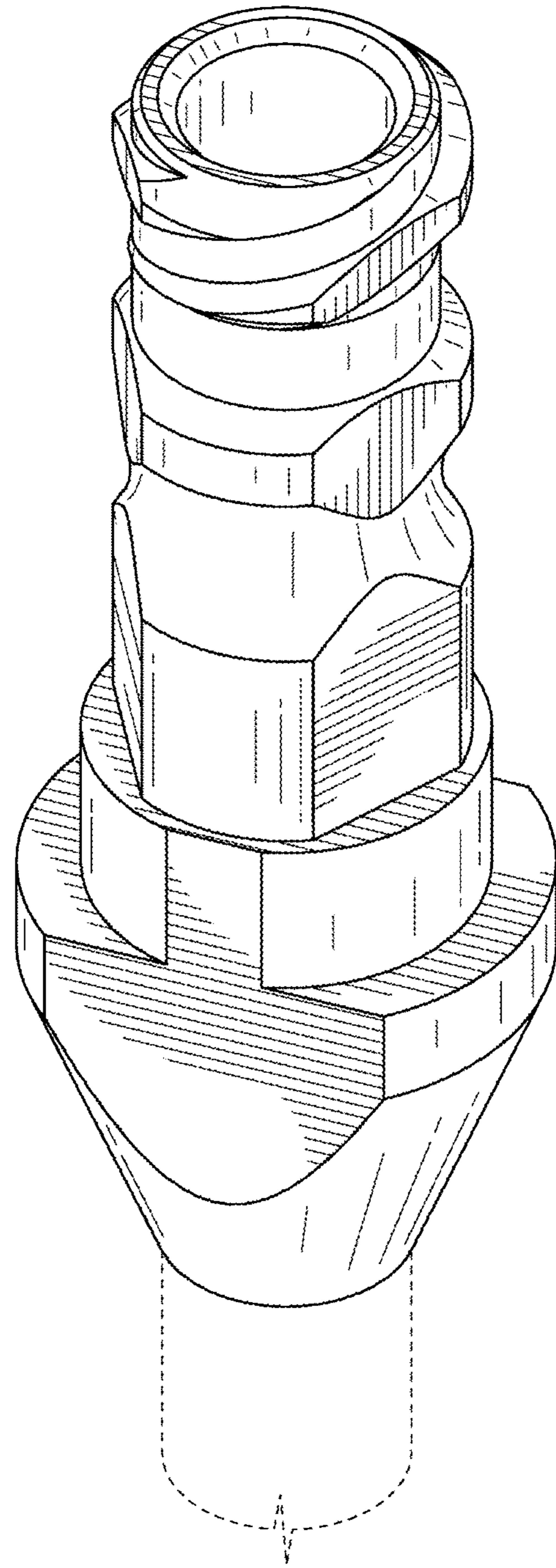


FIG. 2

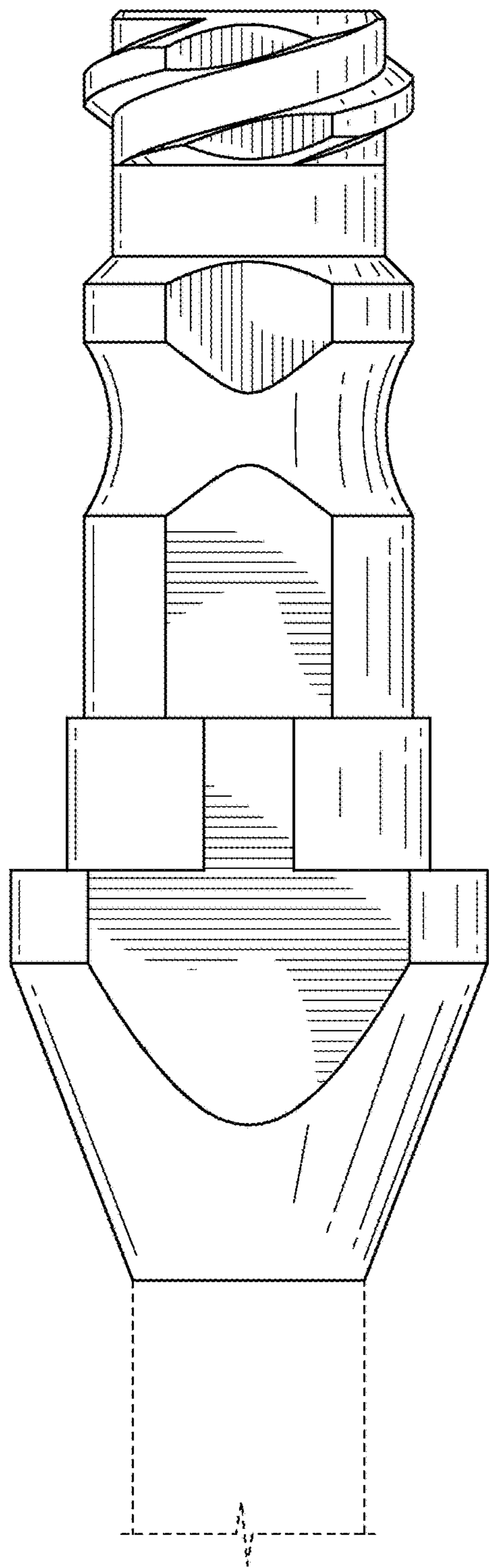


FIG. 3

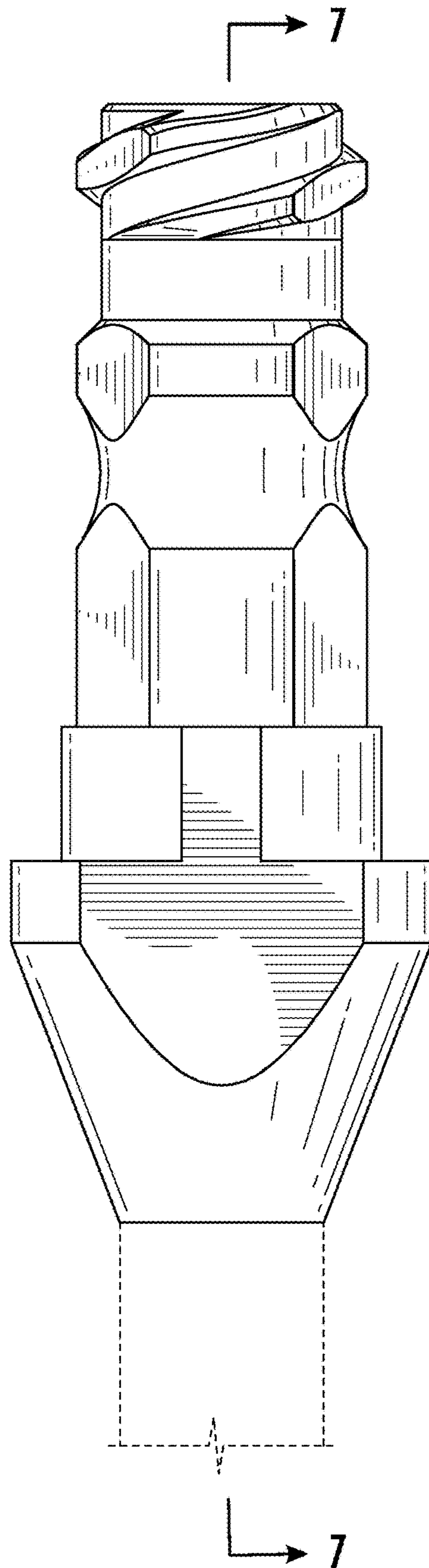


FIG. 4

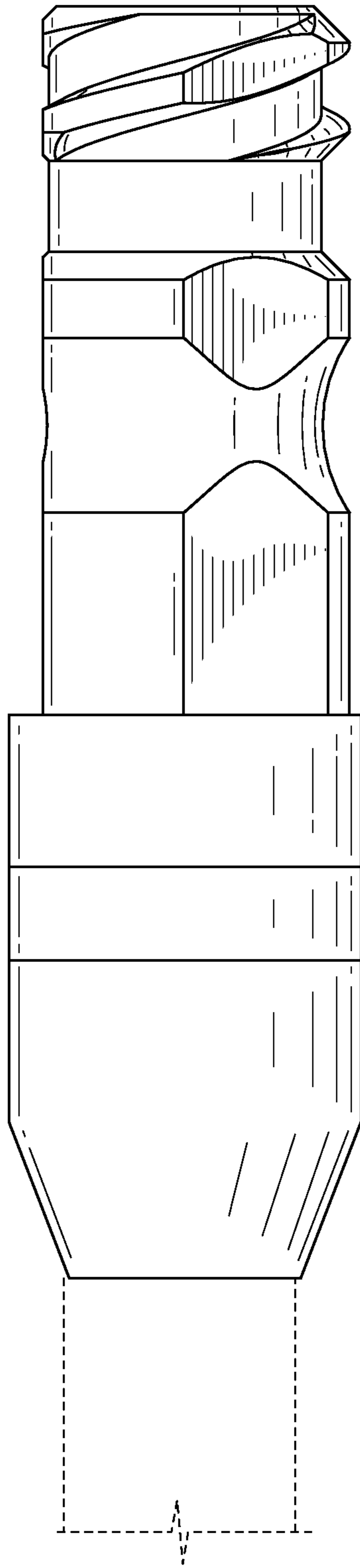


FIG. 5

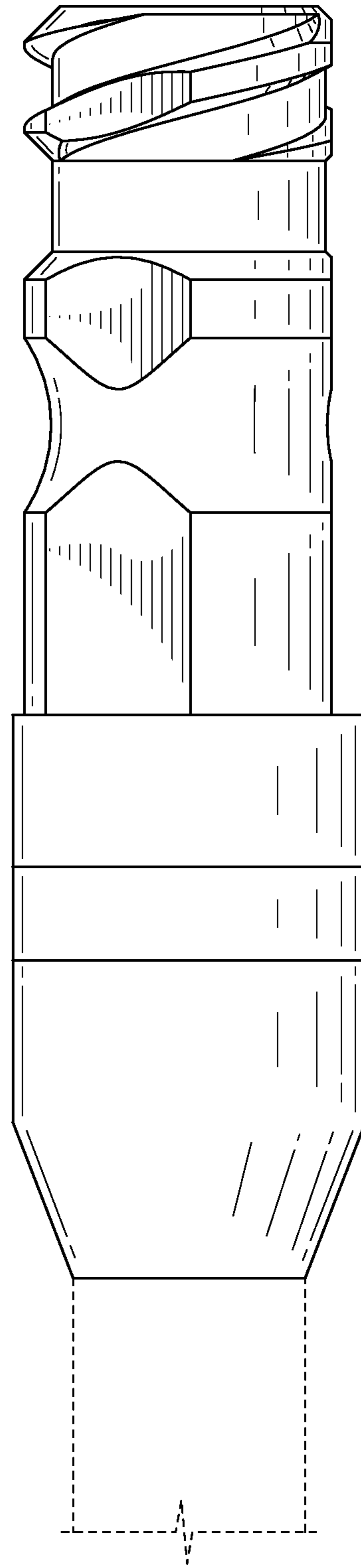


FIG. 6

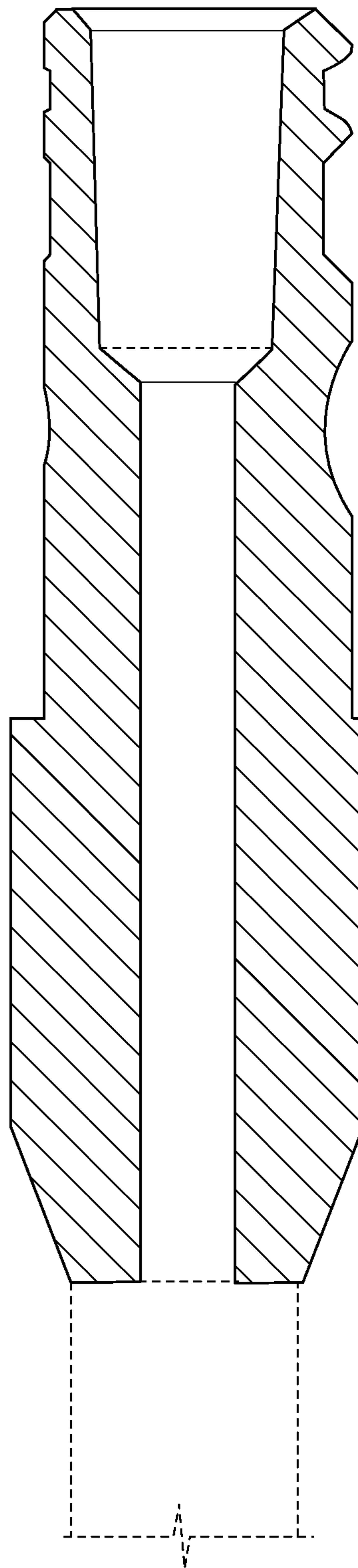


FIG. 7

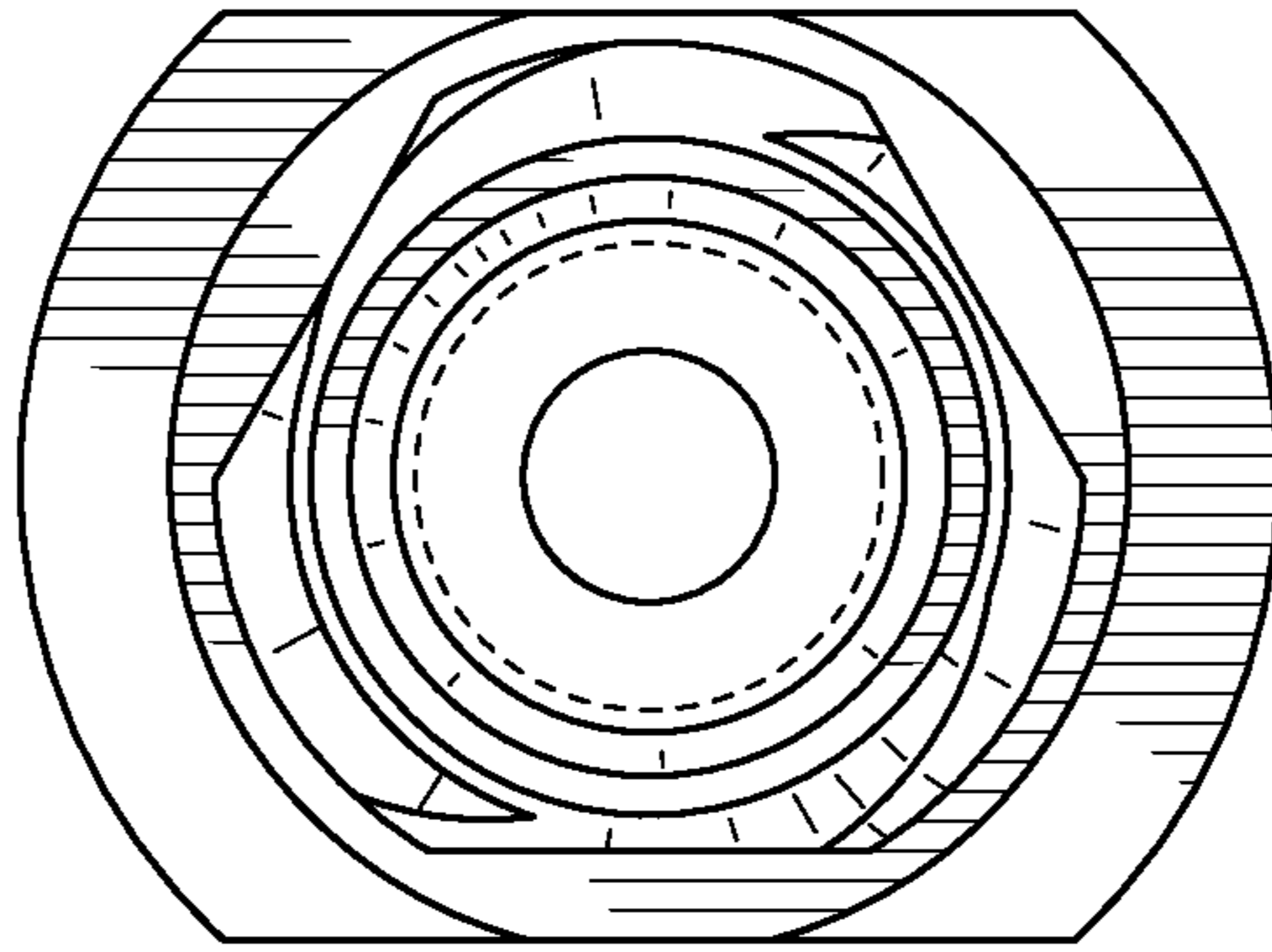


FIG. 8

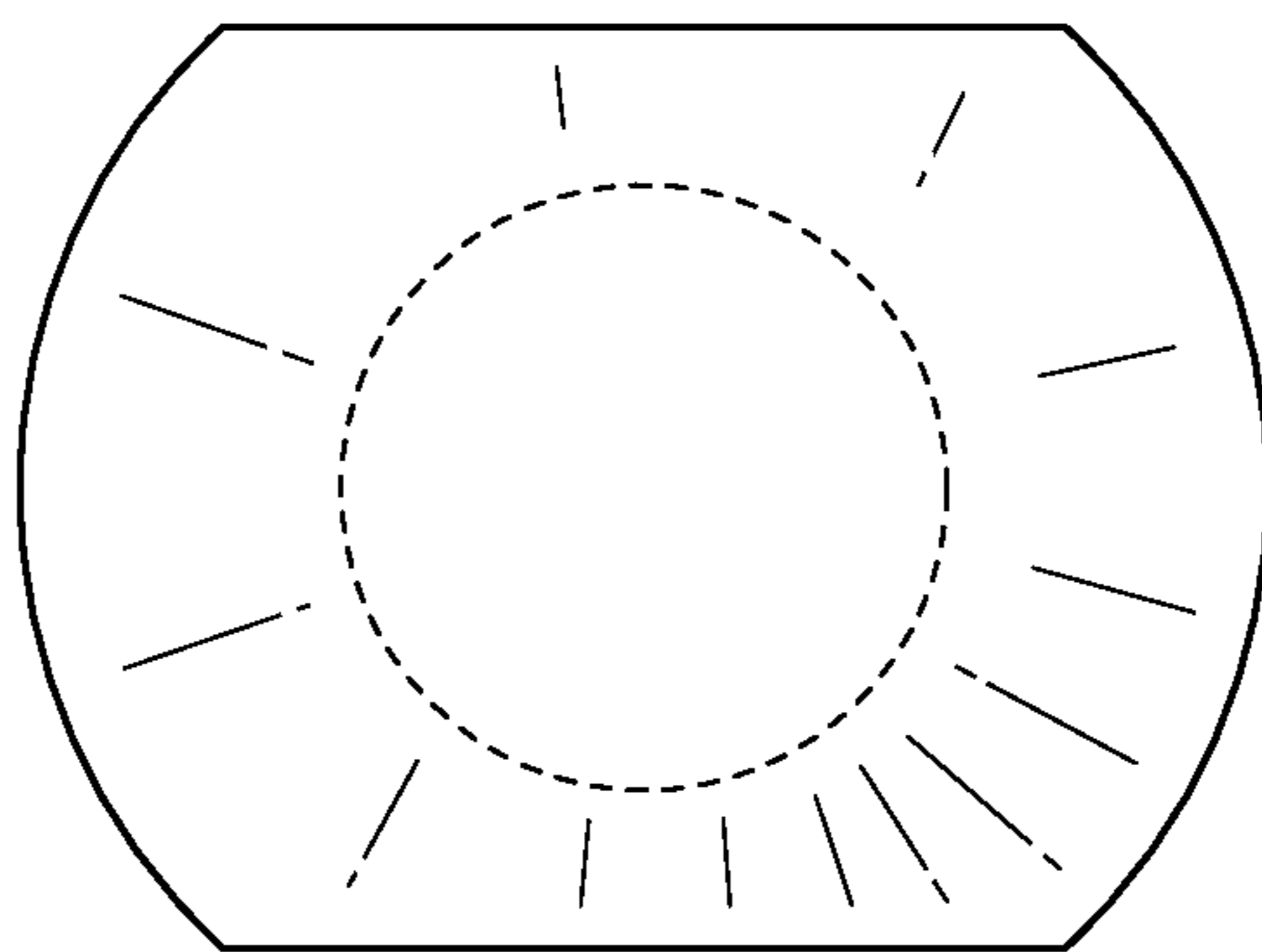


FIG. 9