



US00D948042S

(12) **United States Design Patent**  
**Bridgers et al.**

(10) **Patent No.:** **US D948,042 S**

(45) **Date of Patent:** **\*\* Apr. 5, 2022**

(54) **COMBINED CONTROLLER**

(71) Applicants: **SMITH & NEPHEW, INC.**, Memphis, TN (US); **SMITH & NEPHEW ORTHOPAEDICS AG**, Zug (CH)

(72) Inventors: **Michael D. Bridgers**, Andover, MA (US); **John Anastasiadis**, Andover, MA (US); **Mark D. Dieselman**, Amesbury, MA (US); **Tabitha A. Solomon**, Arlington, MA (US)

(73) Assignee: **SMITH & NEPHEW, INC.**, Memphis, TN (US)

(\*\*) Term: **15 Years**

(21) Appl. No.: **29/755,971**

(22) Filed: **Oct. 23, 2020**

(51) **LOC (13) Cl.** ..... **24-02**

(52) **U.S. Cl.**  
USPC ..... **D24/144**; D24/170; D24/177

(58) **Field of Classification Search**  
USPC ..... D24/138, 144, 170, 176, 177, 178, 180, D24/185; D13/162

CPC ..... A61C 17/20; A61C 17/221; A61C 1/0015; A61C 1/003; A61C 1/0023

See application file for complete search history.

(56) **References Cited**

**U.S. PATENT DOCUMENTS**

D288,122 S *	2/1987	McGaha	.....	D24/177
D534,654 S *	1/2007	Hayamizu	.....	D24/138
7,317,954 B2 *	1/2008	McGreevy	.....	A61B 18/1206
				600/101
D564,094 S *	3/2008	Hayashi	.....	D24/138

D564,661 S *	3/2008	Hayashi	.....	D24/138
D641,081 S *	7/2011	Onuma	.....	D24/138
D663,423 S *	7/2012	Kagawa	.....	D24/177
D670,392 S *	11/2012	Kagawa	.....	D24/177
D704,839 S *	5/2014	Juzkiw	.....	D24/170
D712,031 S *	8/2014	Feng	.....	D24/144
9,072,565 B2 *	7/2015	Pruckner	.....	A61C 1/0015
D792,970 S *	7/2017	Shimobayashi	.....	D24/138
D832,433 S *	10/2018	Tanaka	.....	D24/138
D884,190 S *	5/2020	Canady	.....	D24/170
D908,888 S *	1/2021	Takahashi	.....	D24/177
D926,314 S *	7/2021	Hayamizu	.....	D24/138
2010/0109644 A1 *	5/2010	Pruckner	.....	G06K 19/07749
				324/120
2015/0223909 A1 *	8/2015	Brown	.....	A61C 1/003
				433/118

\* cited by examiner

*Primary Examiner* — Selina Sikder

(74) *Attorney, Agent, or Firm* — Dickinson Wright PLLC; Mark E. Scott

(57) **CLAIM**

The ornamental design for a combined controller, as shown and described.

**DESCRIPTION**

FIG. 1 is an isometric view of a combined controller showing the new design;

FIG. 2 is a front view thereof;

FIG. 3 is a back view thereof;

FIG. 4 is a first side view thereof;

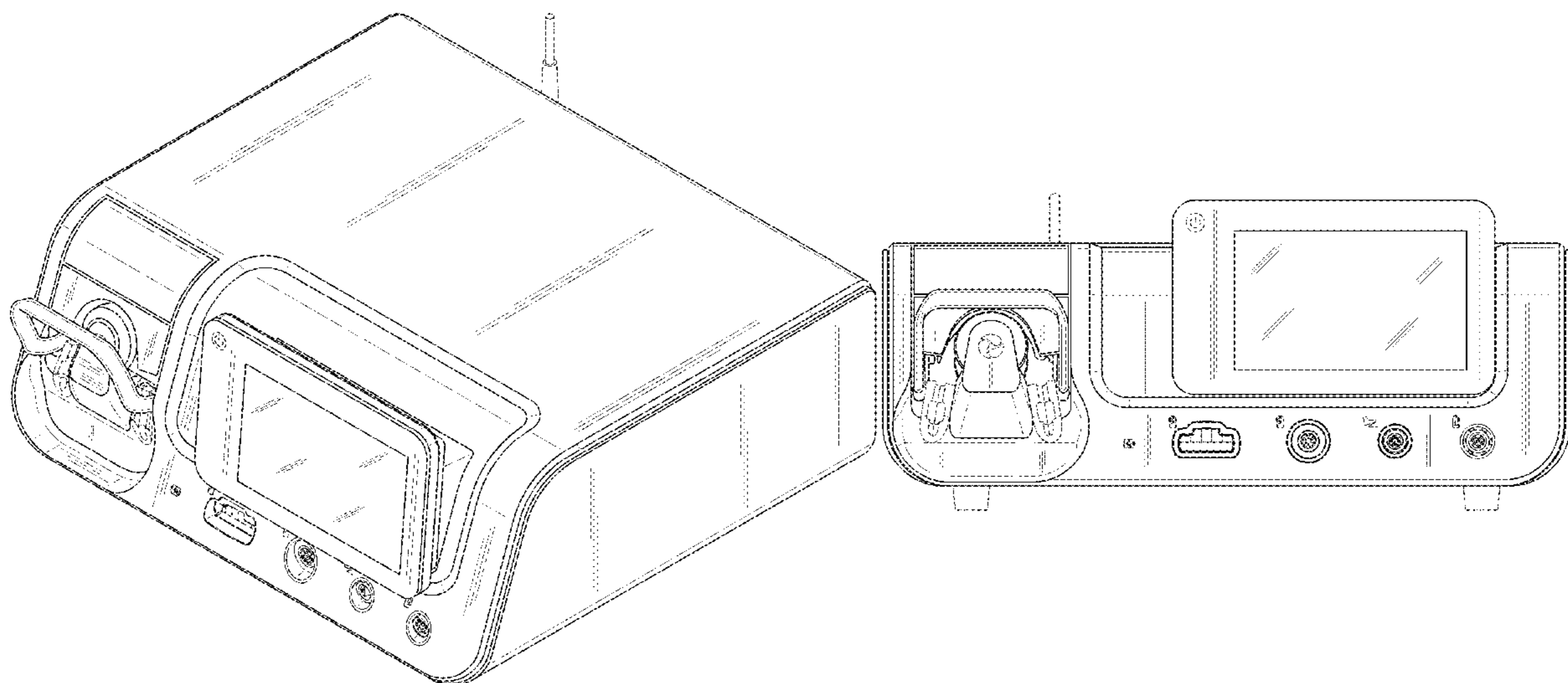
FIG. 5 is a second side view thereof;

FIG. 6 is a top view thereof; and,

FIG. 7 is a bottom view thereof.

The portions of the drawings shown in dashed lines form no part of the claimed subject matter.

**1 Claim, 7 Drawing Sheets**



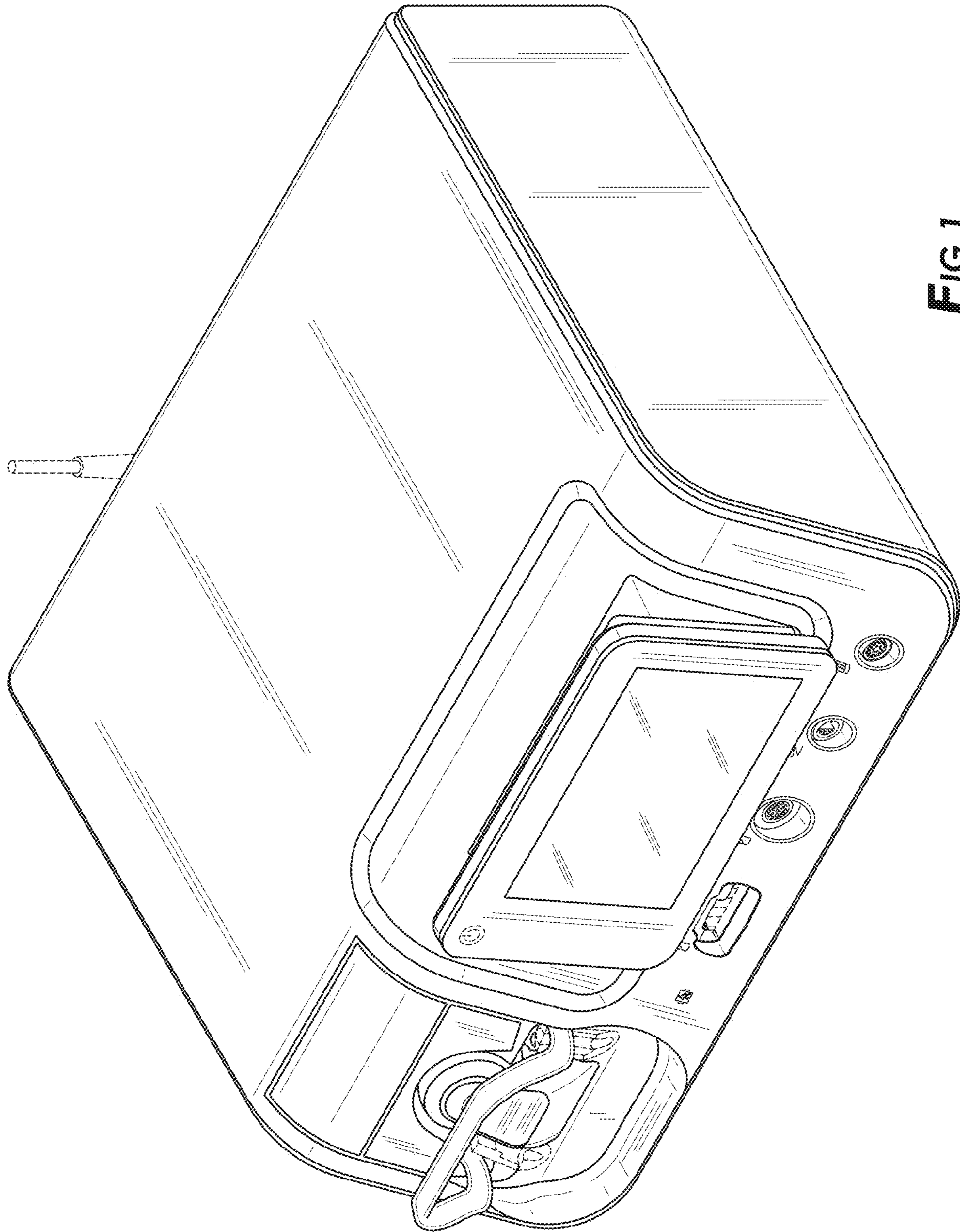


FIG. 1

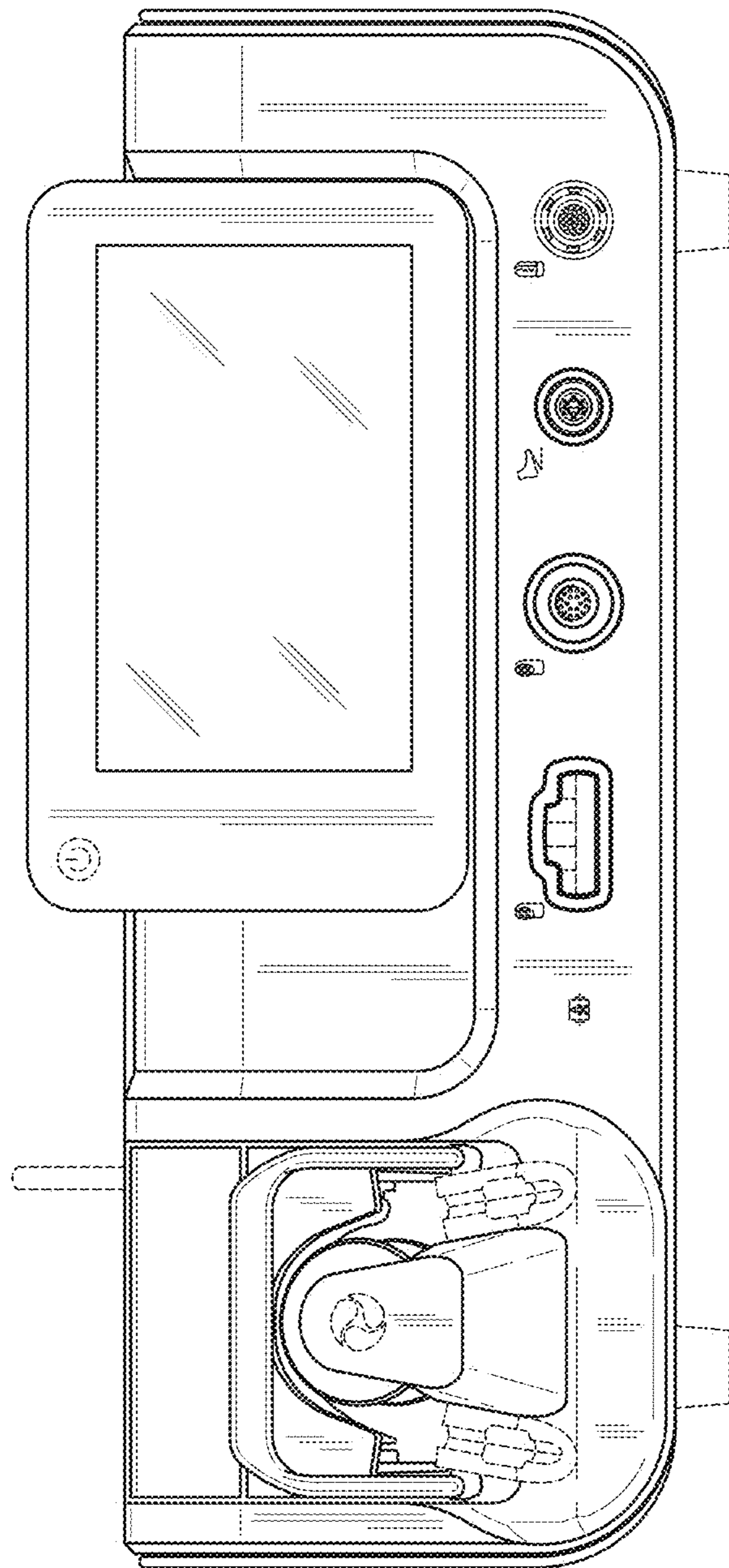


FIG.2

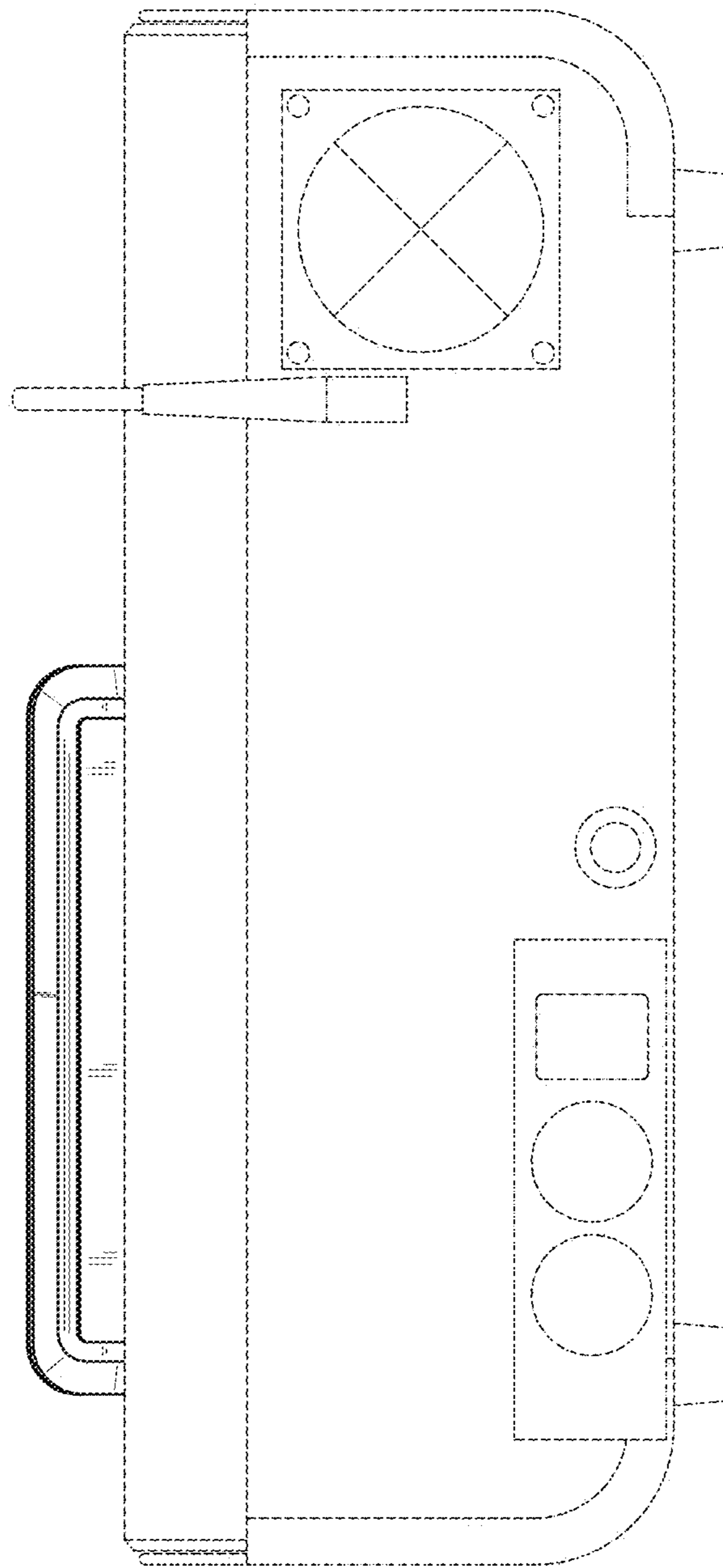


FIG.3

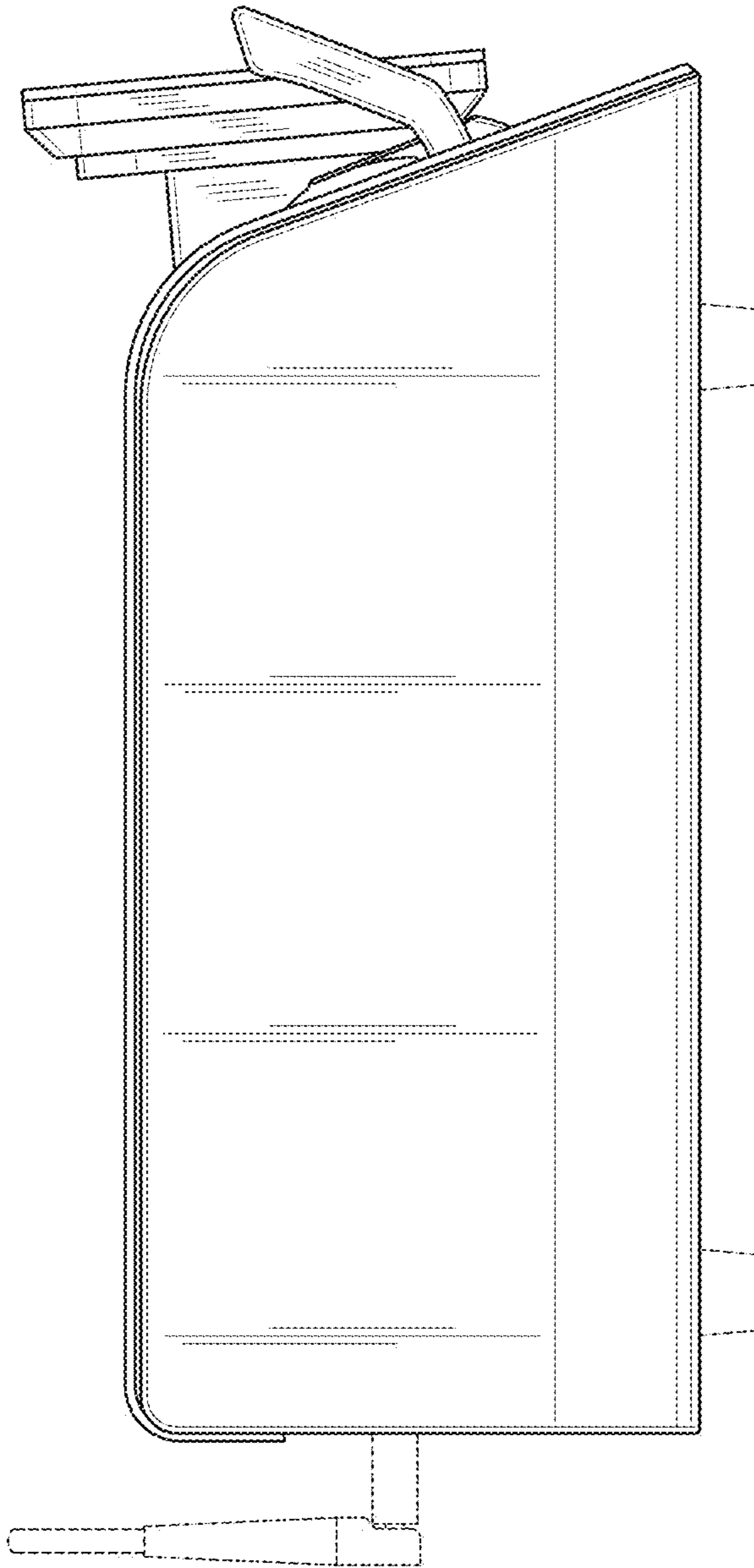


FIG.4

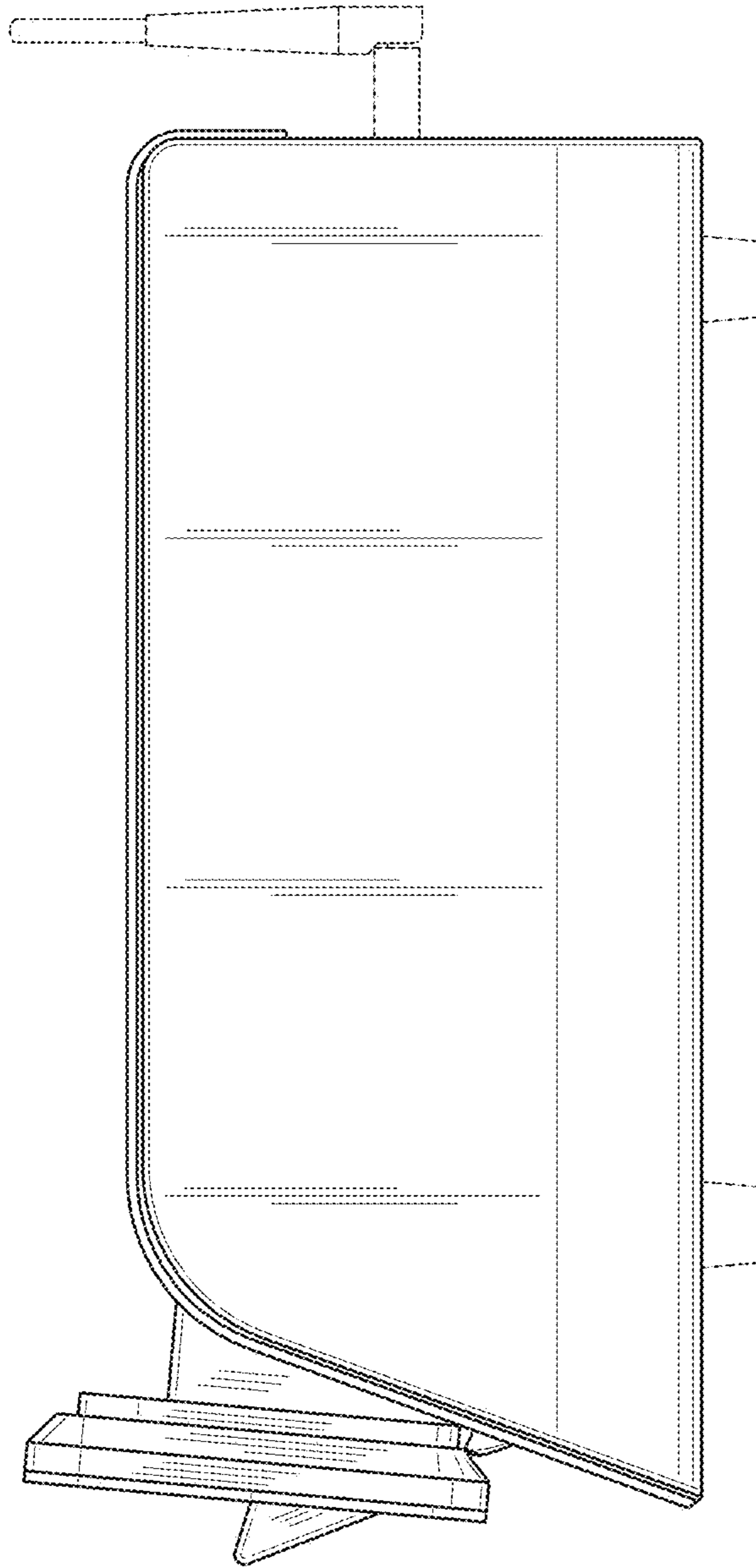


FIG. 5

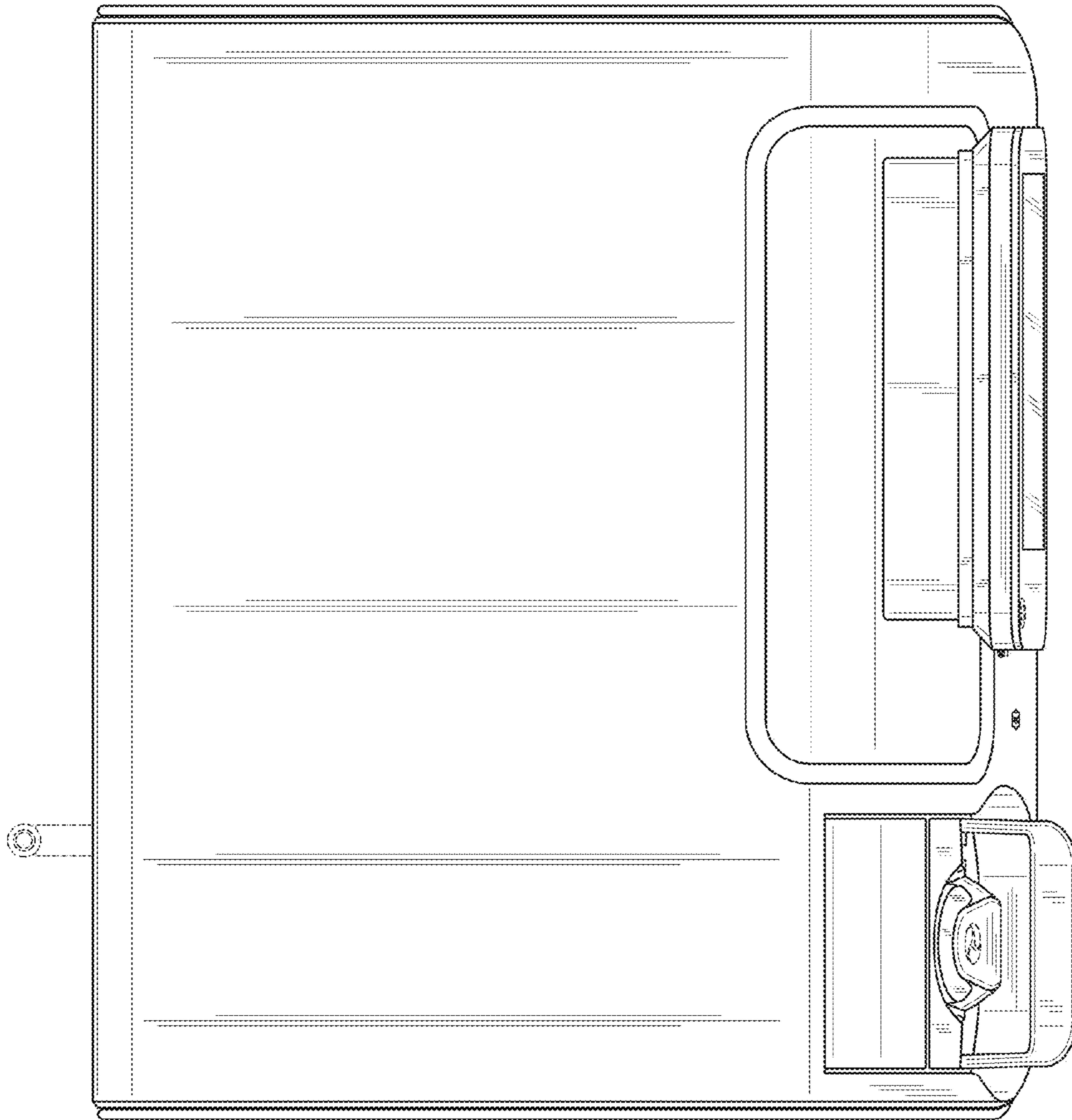


FIG.6

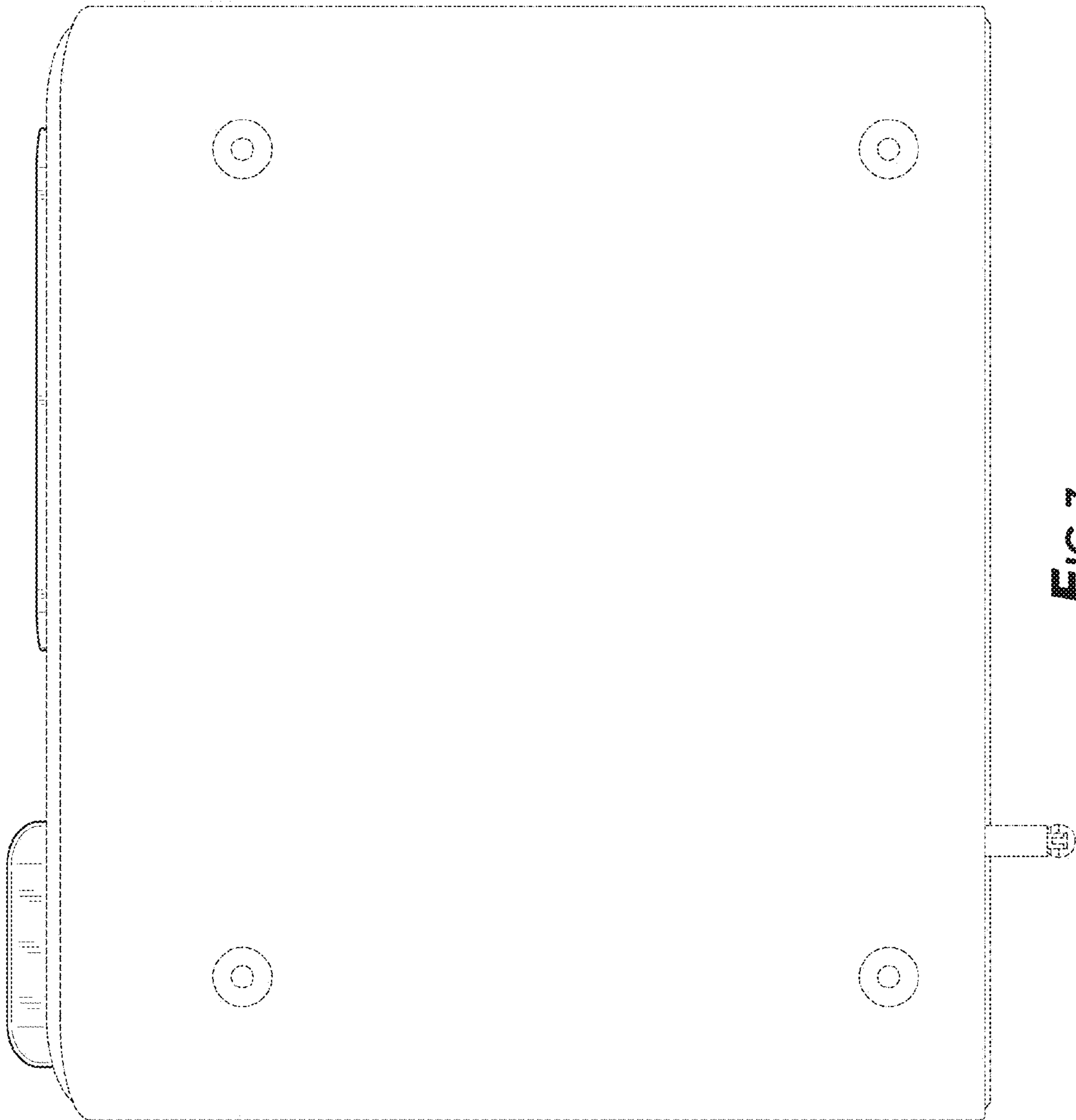


FIG. 7