



US00D948041S

(12) **United States Design Patent** (10) **Patent No.:** **US D948,041 S**
Schumaier et al. (45) **Date of Patent:** **** Apr. 5, 2022**

(54) **LIGHTED CURETTE WITH TWEEZER**
(71) Applicant: **Ear Technology Corporation**, Johnson City, TN (US)
(72) Inventors: **Daniel R. Schumaier**, Elizabethton, TN (US); **Karlee D. Harrison**, Johnson City, TN (US); **George B. Waites, Jr.**, Fletcher, NC (US); **Samuel C. Scudder**, Asheville, NC (US)

6,193,682 B1 2/2001 Ahmed
6,730,076 B2 5/2004 Hickingbotham
D517,209 S 3/2006 Burton et al.
(Continued)

FOREIGN PATENT DOCUMENTS

CN 2192310 3/1995
CN 2355698 12/1999
(Continued)

(73) Assignee: **Ear Technology Corporation**, Johnson City, TN (US)

OTHER PUBLICATIONS

Bionix Lighted CeraPik Plastic Ear Curette, first available Jan. 15, 2014, amazon.com, [online], [site visited Apr. 22, 2021], Available from internet URL: <https://www.amazon.com/Lighted-Ear-Curette-Magnification-CeraPik/dp/BOOHVEEAWC> (Year: 2014).

(**) Term: **15 Years**

(Continued)

(21) Appl. No.: **29/777,589**

(22) Filed: **Apr. 7, 2021**

Primary Examiner — Wan Laymon

(51) **LOC (13) Cl.** **24-02**

(74) *Attorney, Agent, or Firm* — Luedeka Neely Group, P.C.

(52) **U.S. Cl.**
USPC **D24/143; D28/55**

(58) **Field of Classification Search**
USPC D24/143, 146–147, 173; D28/55
CPC A61B 17/20; A61B 17/50; A61B 17/28; A61B 17/29; A61B 17/30; A61B 2017/305; A61B 2017/00907; A61B 90/30; A45D 26/0066; A61F 11/006
See application file for complete search history.

(57) **CLAIM**

The ornamental design for a lighted curette with tweezer, as shown and described.

DESCRIPTION

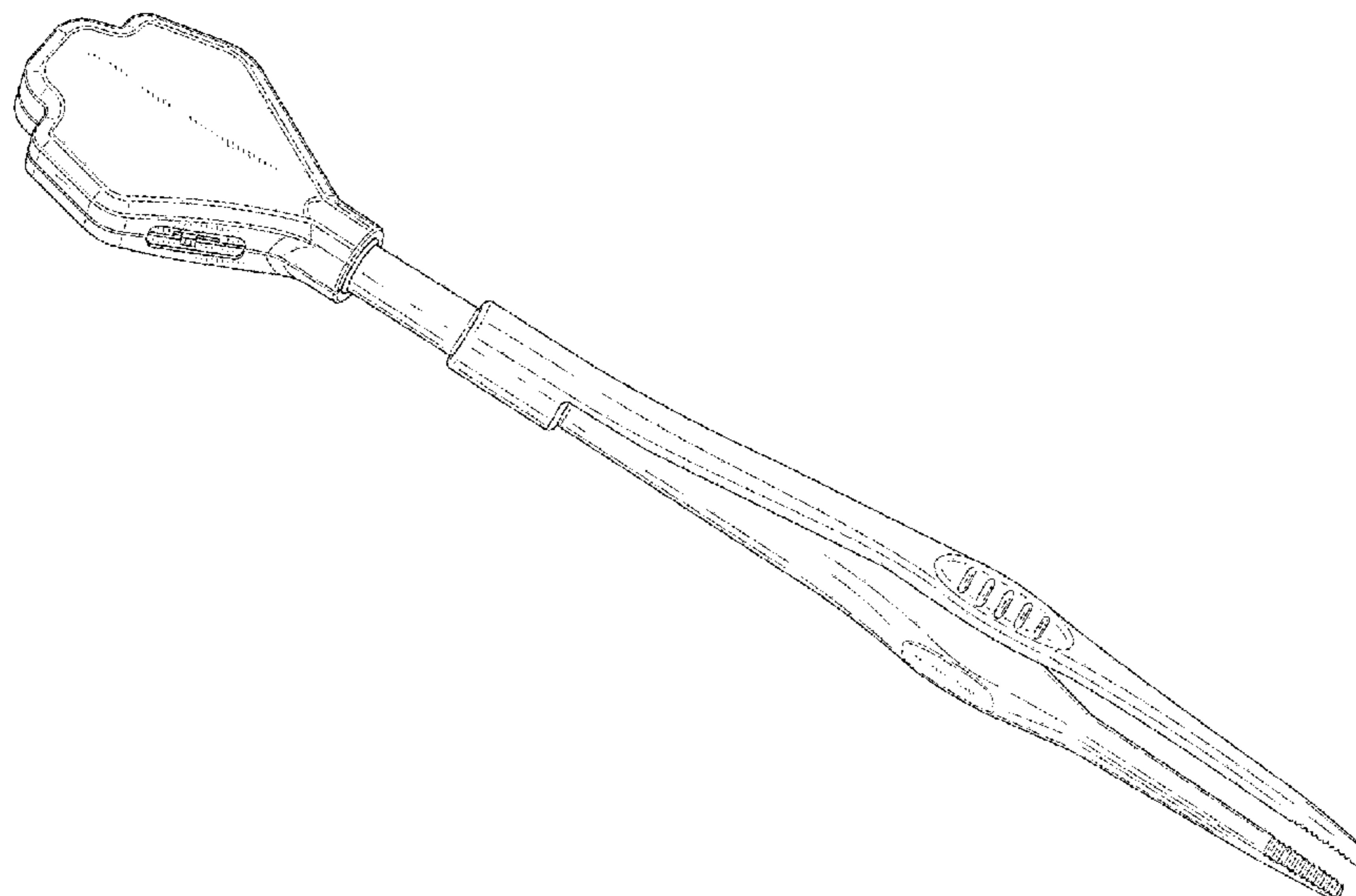
FIG. 1 is a perspective view of the lighted curette with tweezer showing our new design;
FIG. 2 is a right side elevation view thereof;
FIG. 3 is a left side elevation view thereof;
FIG. 4 is a top plan view thereof;
FIG. 5 is a bottom plan view thereof;
FIG. 6 is a rear elevation view thereof; and,
FIG. 7 is a front elevation view thereof.
The broken line in FIG. 6 is included for the purpose of illustrating a portion of the lighted curette with tweezer and forms no part of the claimed design.

(56) **References Cited**

U.S. PATENT DOCUMENTS

D214,112 S 5/1969 Langdon
4,494,543 A * 1/1985 Hart A61B 17/30
606/133
4,572,180 A * 2/1986 Deenadayalu A61F 11/006
600/249
4,785,796 A 11/1988 Mattson
5,209,757 A 5/1993 Krug et al.
5,234,452 A 8/1993 Wang-On
D350,605 S 9/1994 Williams
6,074,405 A 6/2000 Koch

1 Claim, 4 Drawing Sheets



(56)

References Cited

U.S. PATENT DOCUMENTS

D537,208 S * 2/2007 Shaljian D28/55
 D542,413 S 5/2007 Mori
 D599,476 S 9/2009 Levine et al.
 D609,372 S 2/2010 Rosian
 D614,355 S * 4/2010 Epstein D28/55
 D627,105 S * 11/2010 Cho D24/143
 D667,111 S 9/2012 Robinson
 D690,819 S 10/2013 Svensson
 D690,820 S 10/2013 Nielsen
 D714,494 S * 9/2014 Vasquez D28/55
 9,167,959 B1 * 10/2015 Rubtsov A61B 17/29
 D812,303 S * 3/2018 Pascullo D28/55
 10,092,168 B1 10/2018 Huttner et al.
 D837,984 S 1/2019 Christiansen
 D844,900 S * 4/2019 Zadro D28/55
 10,281,136 B2 * 5/2019 Zadro A45D 26/0066
 D857,195 S 8/2019 Taylor et al.
 D892,320 S 8/2020 Milhous et al.
 D914,981 S * 3/2021 Fuentes D24/143
 D935,100 S * 11/2021 Schumaier D24/143
 11,166,740 B1 * 11/2021 Schumaier A61B 17/30
 2004/0181255 A1 9/2004 Gio
 2005/0251106 A1 11/2005 Cervantes et al.
 2016/0074054 A1 * 3/2016 Assia A61B 17/28
 606/107

FOREIGN PATENT DOCUMENTS

CN 201618004 U 11/2010
 CN 201759742 U 3/2011

CN 201959081 U 9/2011
 CN 203953746 U 11/2014
 CN 204016615 U 12/2014
 CN 205458567 U 8/2016
 CN 209075144 U 7/2019
 CN 210355086 U 4/2020
 CN 211934525 U 11/2020

OTHER PUBLICATIONS

Eutuxia Ear Pick with LED Light, first available Jun. 9, 2016, amazon.com, [online], [site visited Apr. 22, 2021], Available from internet URL: https://www.amazon.com/Eutuxia-Earpick-Cleaning-Removal-Curette/dp/BO1H27DCJ0/ref=rtpb_3?pd_rd_w=09fFJ&pf_rd_p=be844577-fee7-4bbc-8d%E2%80%A6 (Year: 2016).
 Micro-Light li White, first available Oct. 2, 2000, amazon.com, [online], [site visited Apr. 22, 2021], Available from internet URL: <https://www.amazon.com/LRI-PWK-Photon-Keychain-Micro-Light/dp/B0000614Y2> (Year: 2000).
 The Lighted Ear Curette Light Source for Curettes, first available Dec. 17, 2019, amazon.com, [online], [site visited Apr. 22, 2021], Available from internet URL: https://www.amazon.com/Lighted-Ear-Curette-Curettes-Reusable/dp/B082VMT612/ref=sr_1_57?dchild=1&keywords=Ear+Curette&qid=1619092206&E2%80%A6 (Year: 2019).

* cited by examiner

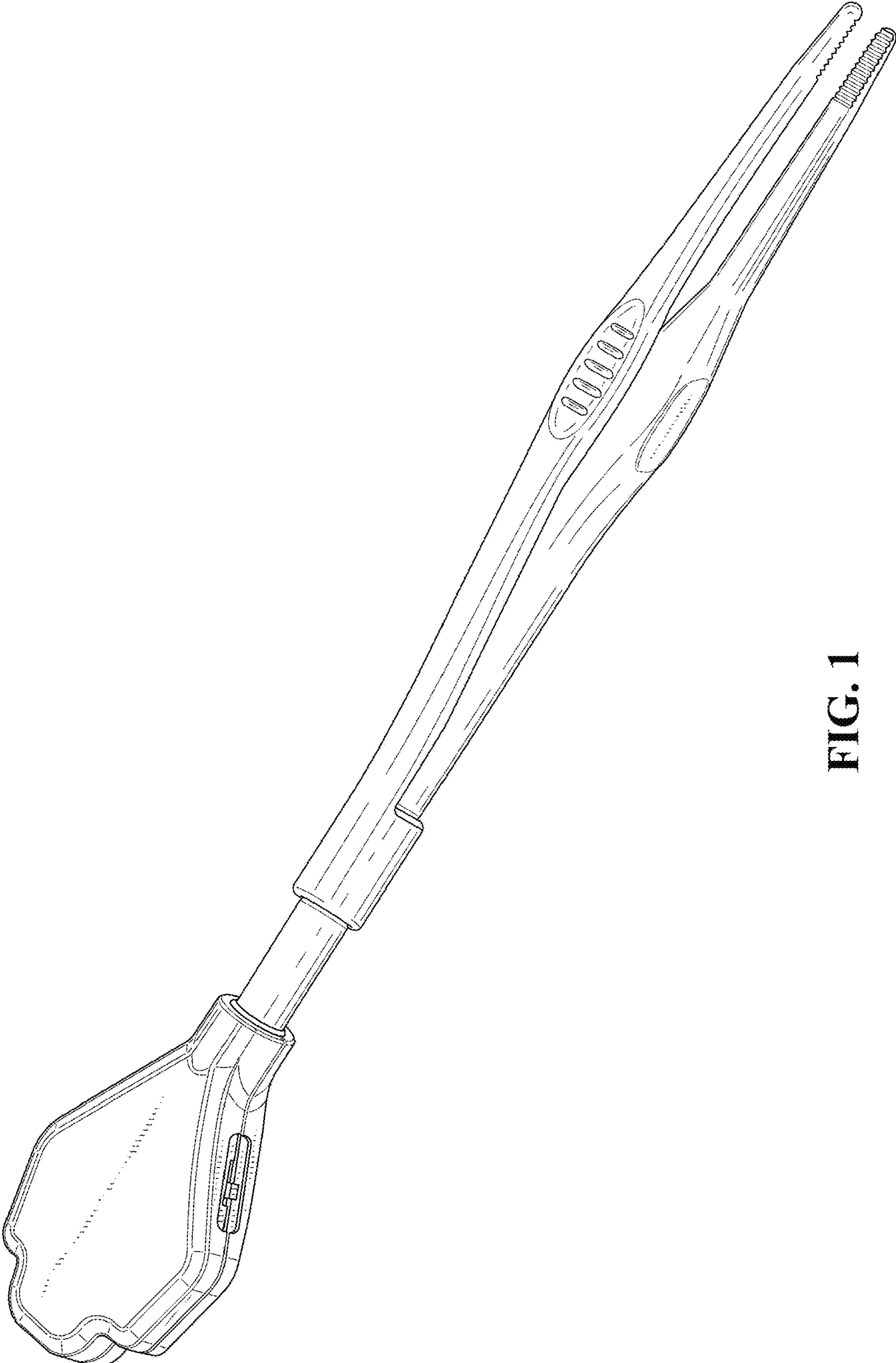


FIG. 1

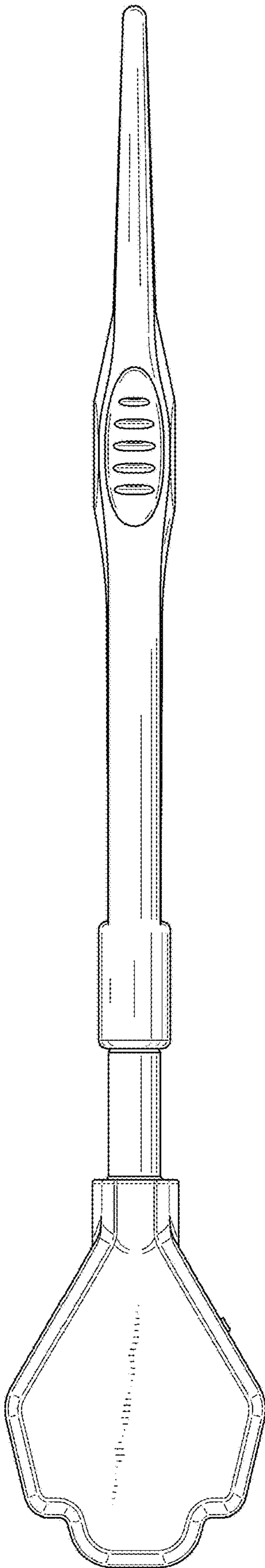


FIG. 2

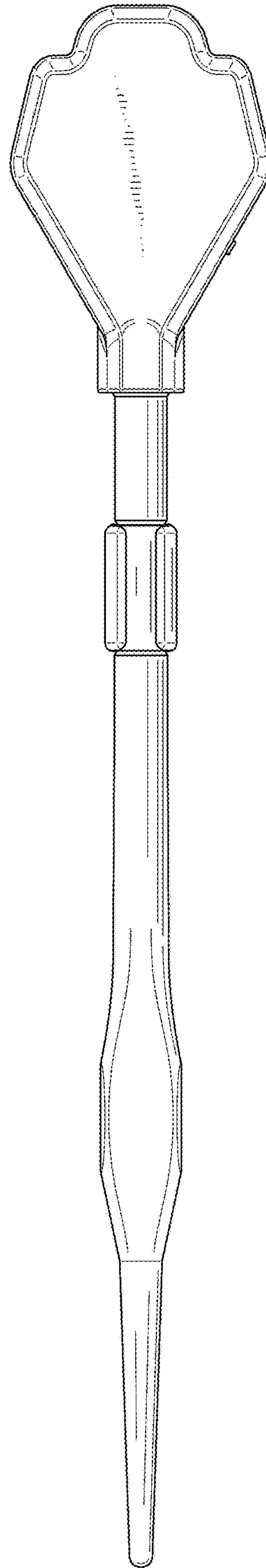


FIG. 3

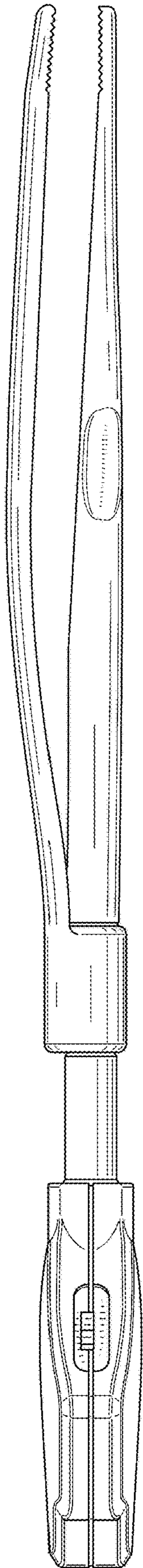


FIG. 4

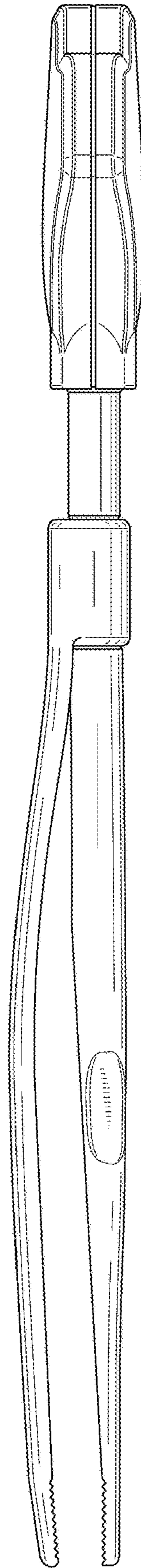


FIG. 5

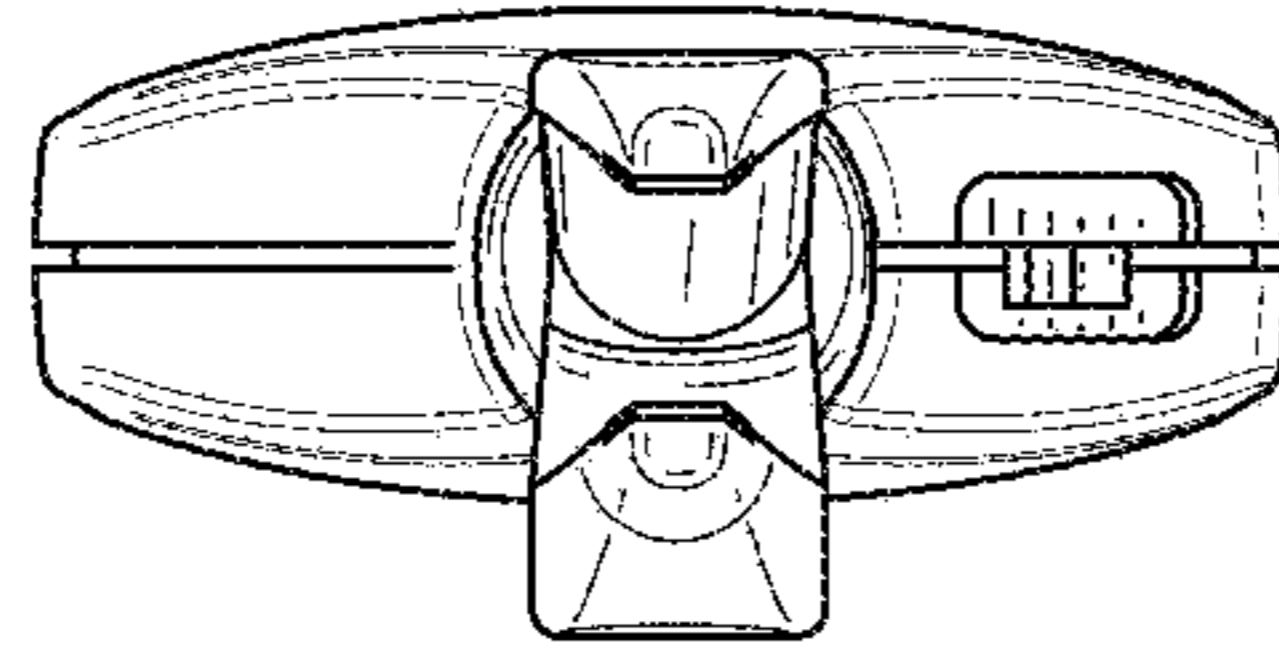


FIG. 7

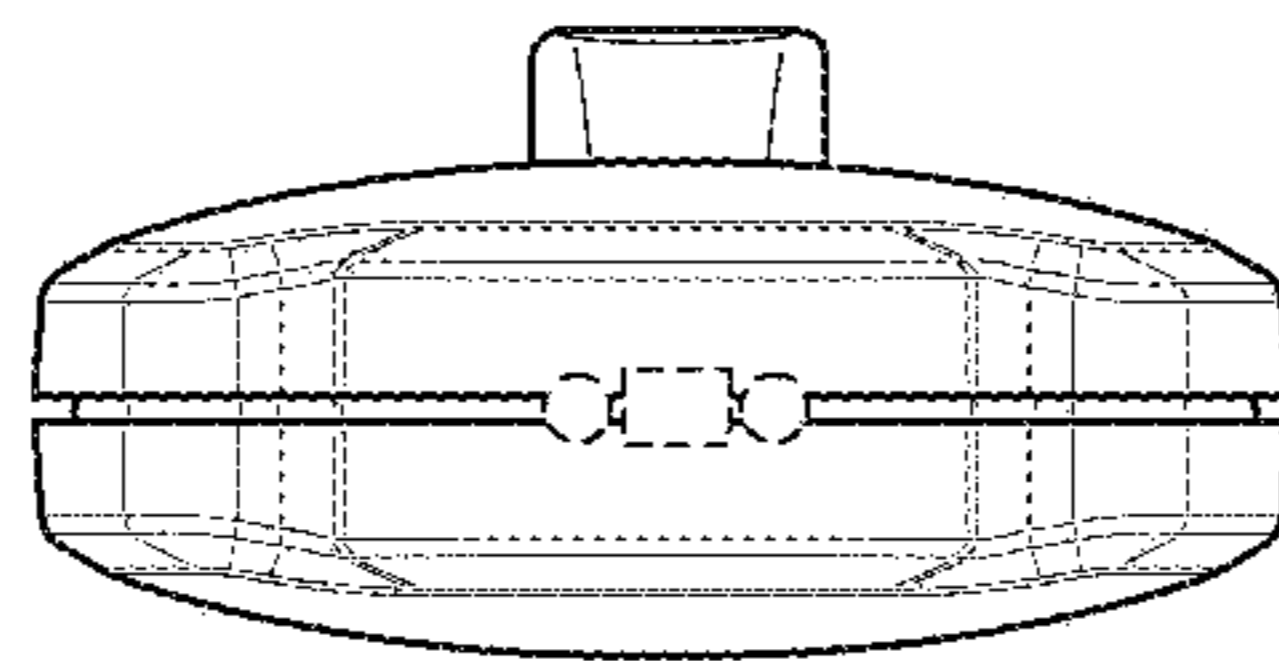


FIG. 6