



US00D948040S

(12) **United States Design Patent**
Shimobayashi

(10) **Patent No.:** **US D948,040 S**

(45) **Date of Patent:** **** Apr. 5, 2022**

(54) **CAMERA CONNECTOR FOR MEDICAL USE**

(71) Applicant: **OLYMPUS CORPORATION**, Tokyo (JP)

(72) Inventor: **Koji Shimobayashi**, Hachioji (JP)

(73) Assignee: **OLYMPUS CORPORATION**, Tokyo (JP)

(**) Term: **15 Years**

(21) Appl. No.: **29/662,651**

(22) Filed: **Sep. 7, 2018**

Related U.S. Application Data

(62) Division of application No. 29/544,043, filed on Oct. 30, 2015, now Pat. No. Des. 844,136.

(51) **LOC (13) Cl.** **24-02**

(52) **U.S. Cl.**
USPC **D24/138**

(58) **Field of Classification Search**
USPC D24/137, 138, 133
CPC A61B 1/00; A61B 1/00137; A61B 1/005;
A61B 1/0014; A61B 1/0676; A61B 1/0669; A61B 1/00121; A61B 1/00133;
A61B 1/00071; A61B 1/00064; A61B 1/00068; A61B 1/00112; A61B 1/0125;
A61B 17/3478

See application file for complete search history.

(56) **References Cited**

U.S. PATENT DOCUMENTS

D381,076 S * 7/1997 Thornton D24/112
D698,441 S * 1/2014 Meguro D24/138

D709,192 S * 7/2014 Czupalla D24/138
D737,966 S * 9/2015 Meguro D24/138
D753,298 S * 4/2016 Hayamizu D24/138
D768,854 S * 10/2016 Halleck D24/138
D844,136 S * 3/2019 Shimobayashi D24/138
D852,357 S * 6/2019 Osada D24/138
D909,575 S * 2/2021 Ohno D24/138
2017/0303772 A1 * 10/2017 Shimobayashi ... A61B 1/00112

* cited by examiner

Primary Examiner — Eliza Z Bennett-Hattan

(74) *Attorney, Agent, or Firm* — Scully, Scott, Murphy & Presser, P.C

(57) **CLAIM**

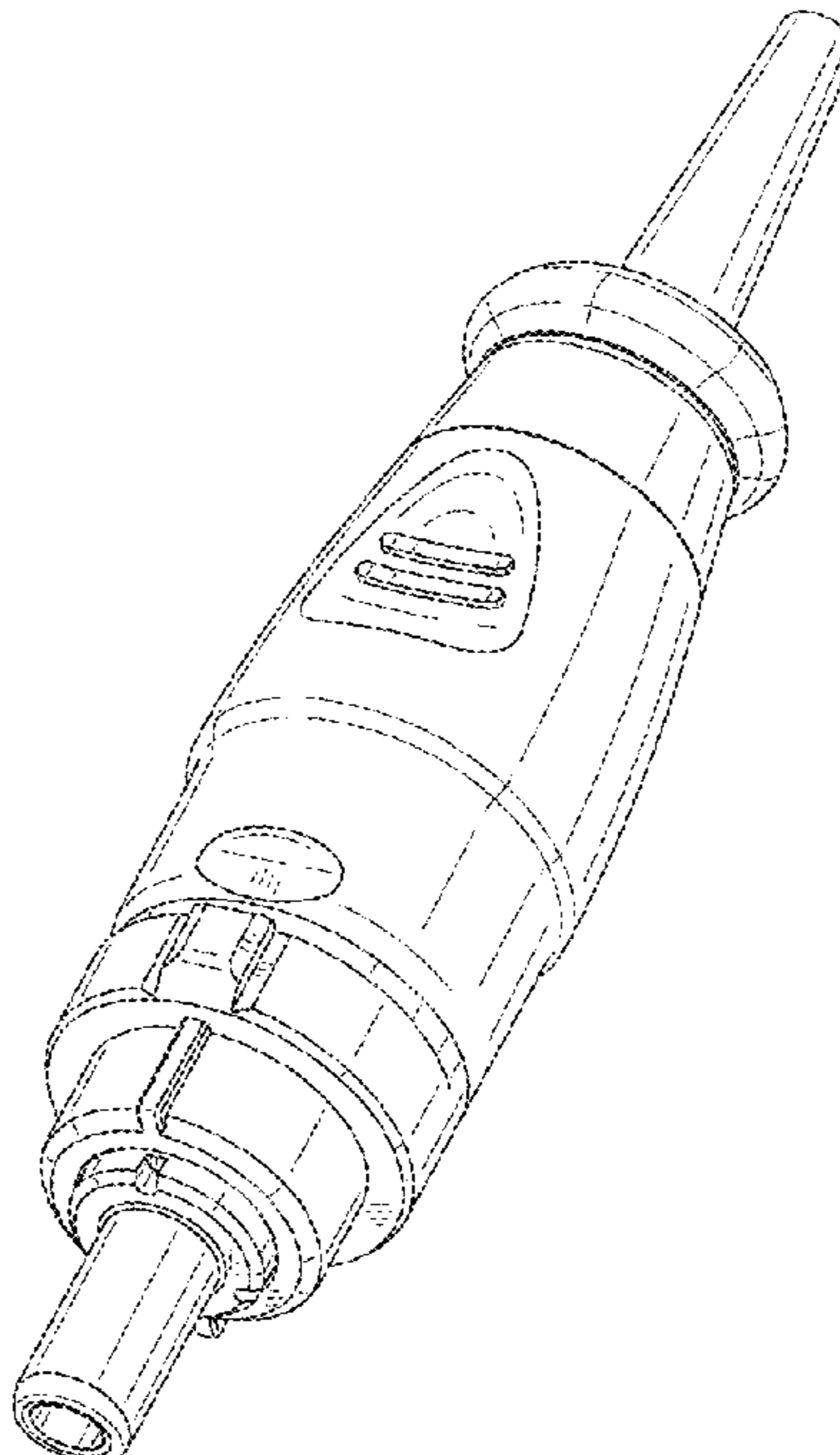
The ornamental design for a camera connector for medical use, as shown and described.

DESCRIPTION

FIG. 1 is a perspective view of a camera connector for medical use, showing my new design;
FIG. 2 is a front view thereof;
FIG. 3 is a rear view thereof;
FIG. 4 is a top view thereof;
FIG. 5 is a bottom view thereof;
FIG. 6 is a left side view hereof;
FIG. 7 is a right side view thereof; and,
FIG. 8 is an end view thereof, taken along line 8-8 in FIG. 2.

The broken lines showing portions of the camera connector for medical use are for illustrating environmental structure, and form no part of the claimed design.

1 Claim, 3 Drawing Sheets



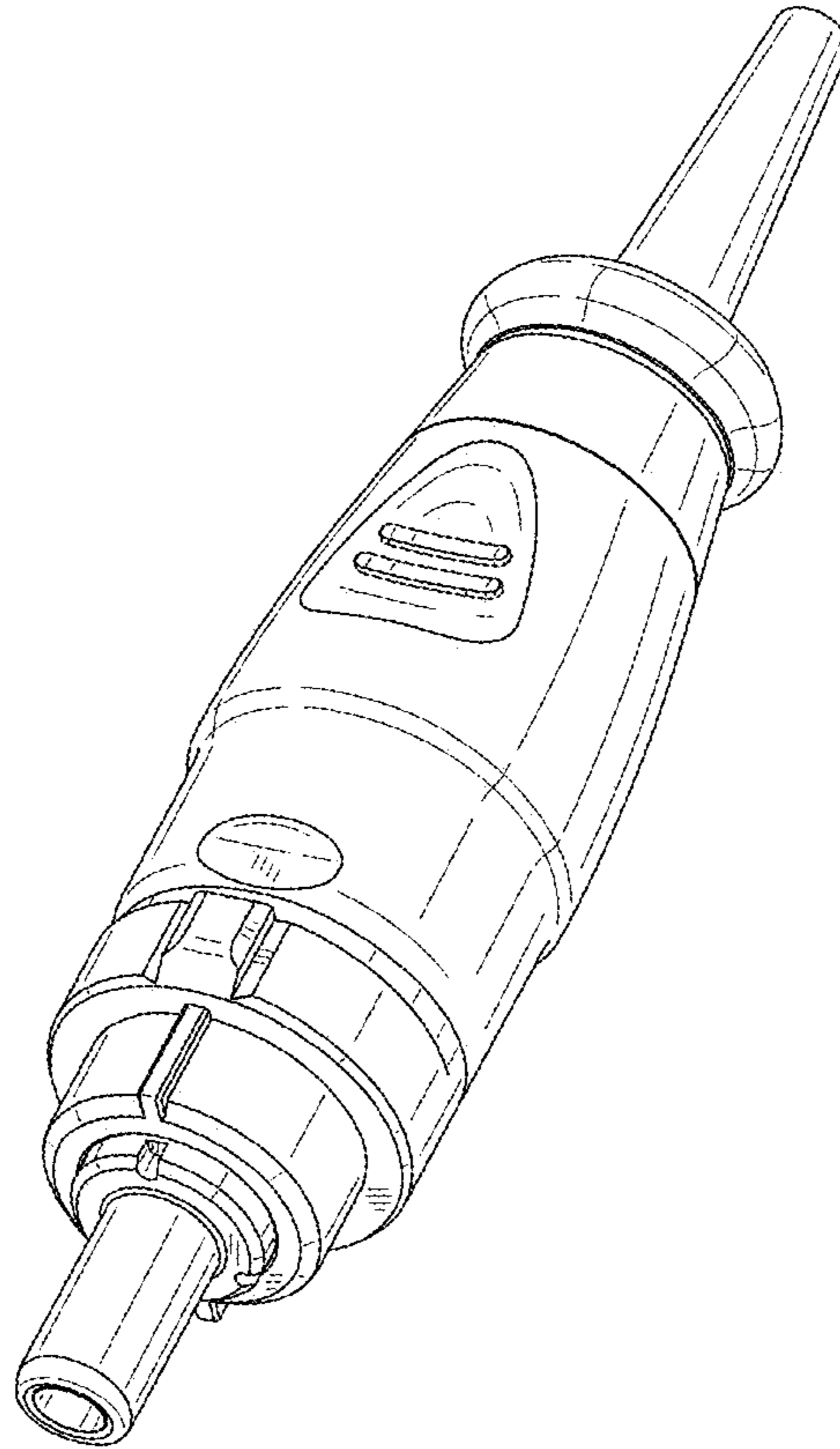


Fig. 1

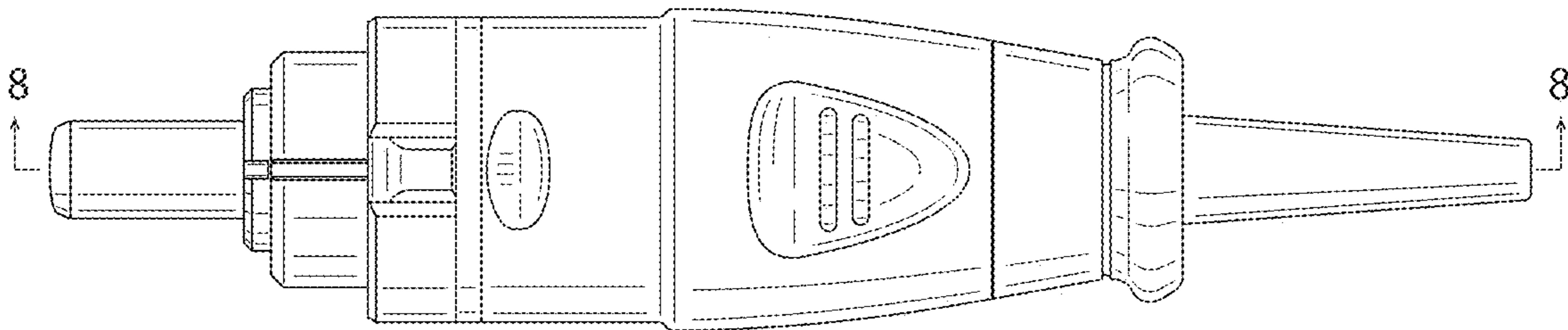


Fig. 2

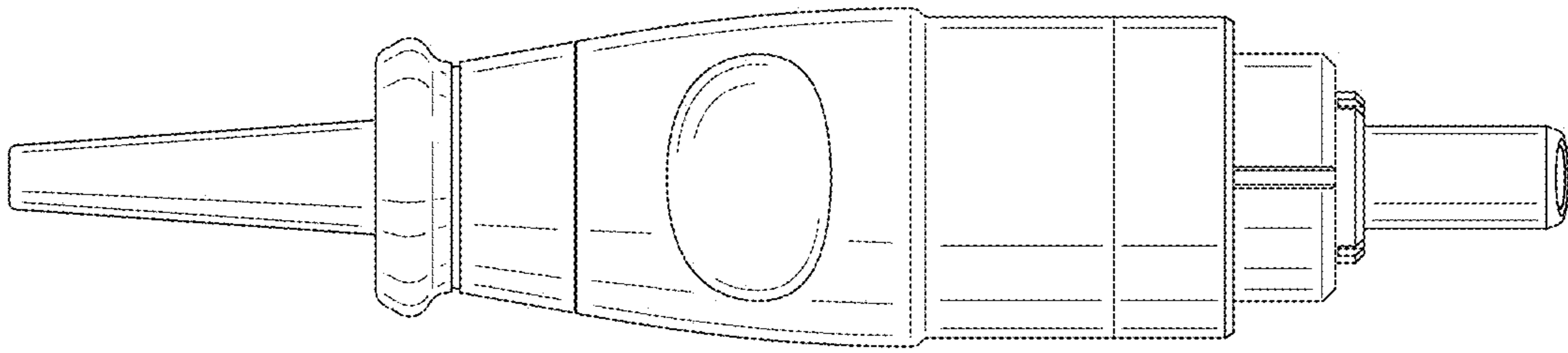


Fig.3

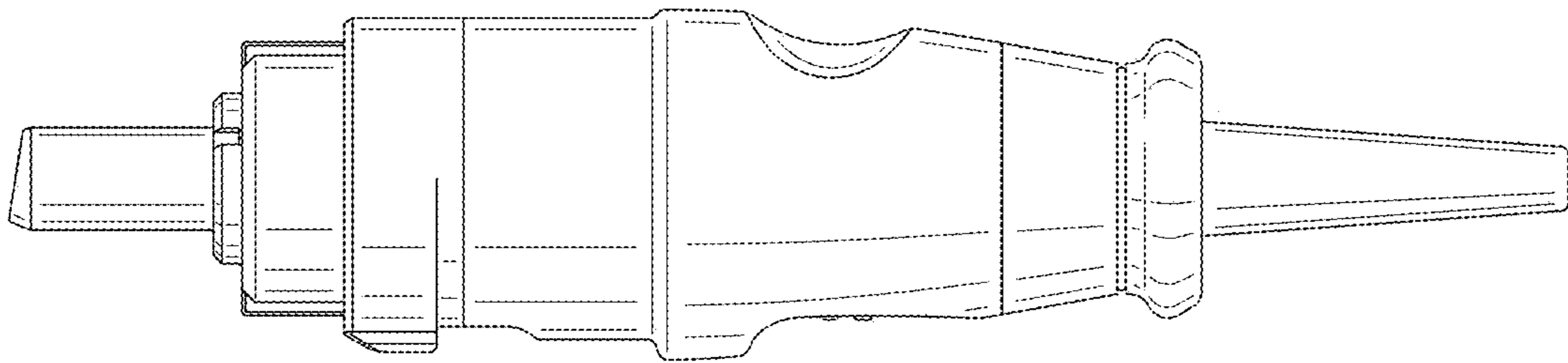


Fig.4

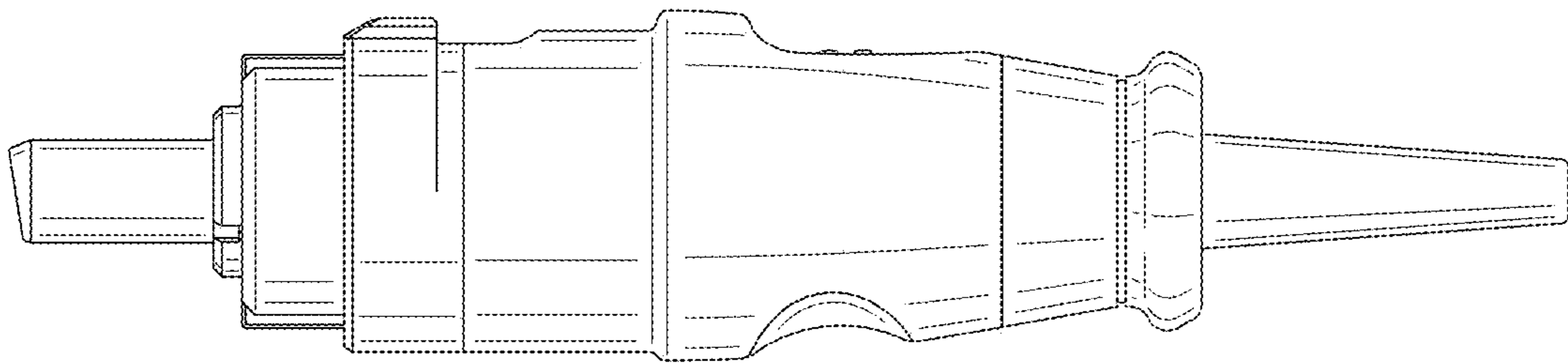


Fig.5

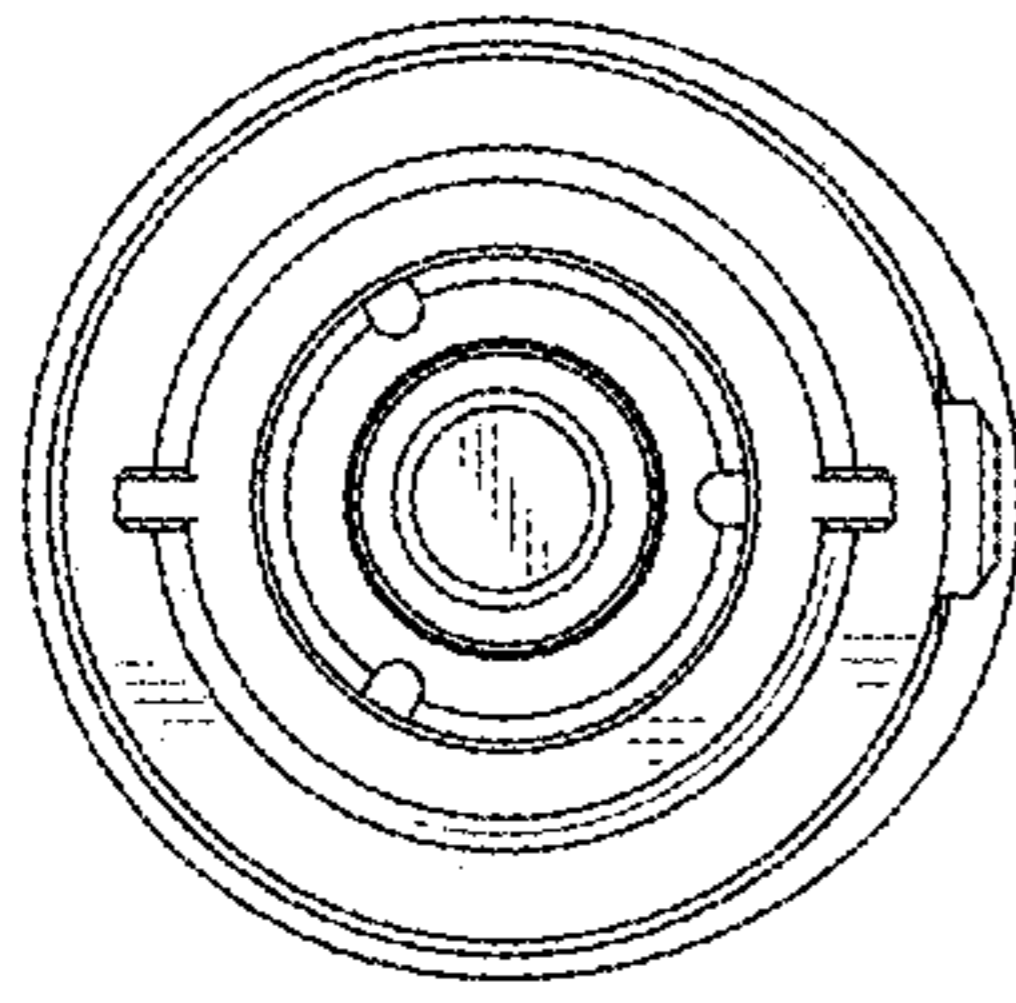


Fig. 6

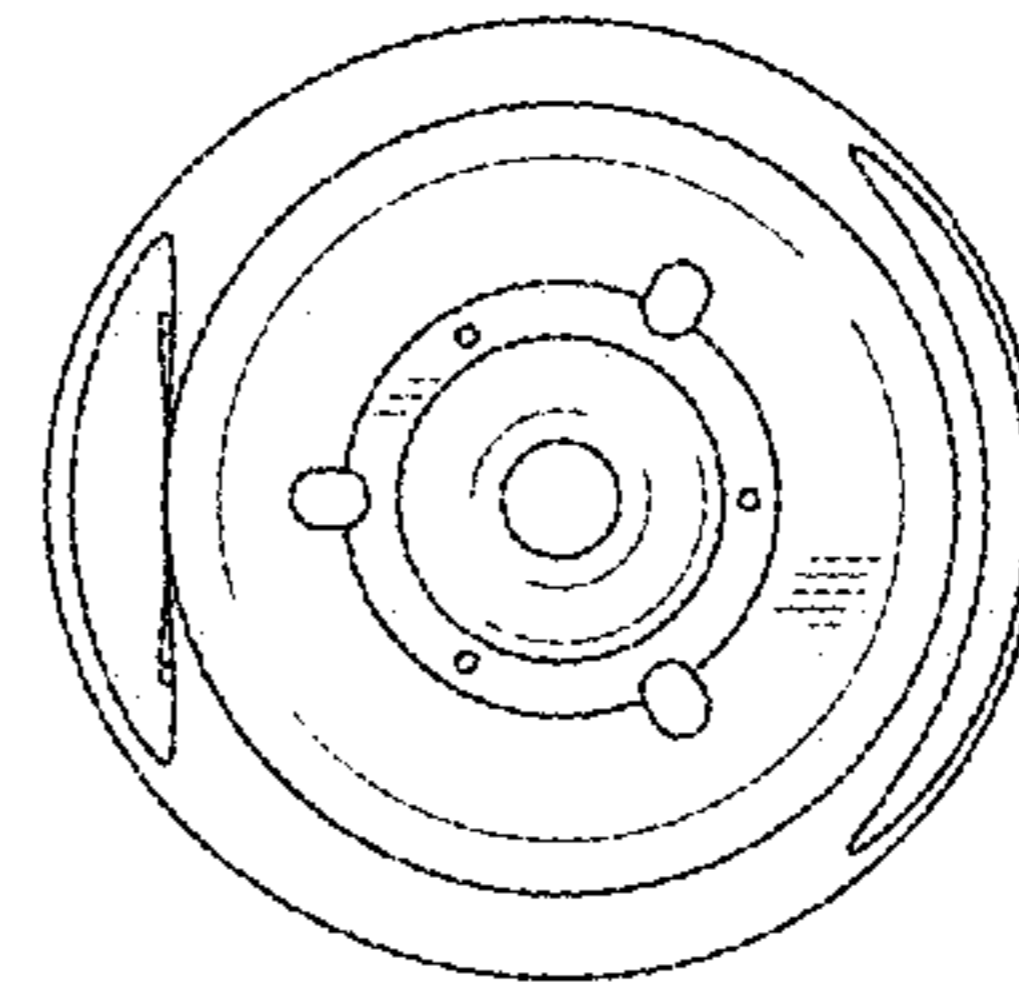


Fig. 7

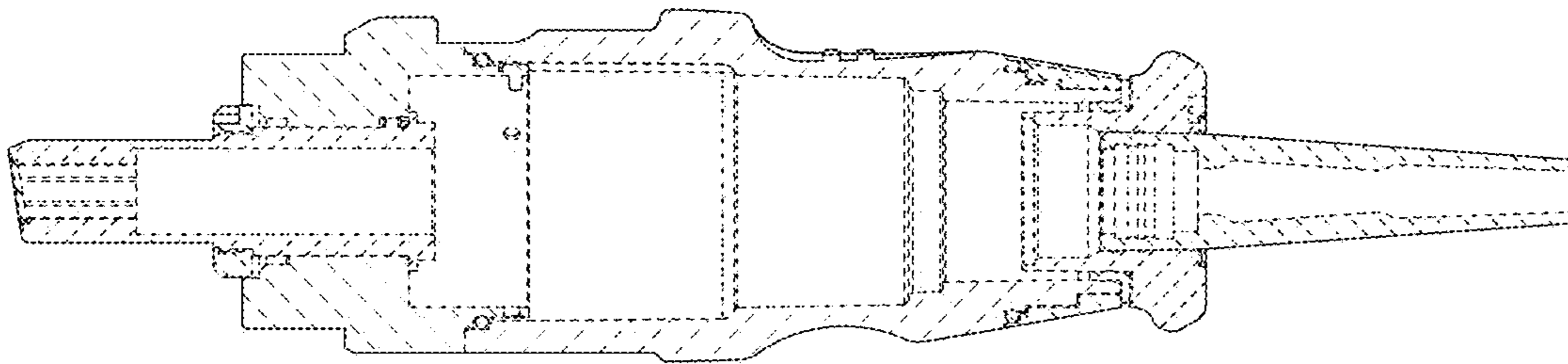


Fig. 8

UNITED STATES PATENT AND TRADEMARK OFFICE
CERTIFICATE OF CORRECTION

PATENT NO. : D948,040 S
APPLICATION NO. : 29/662651
DATED : April 5, 2022
INVENTOR(S) : Koji Shimobayashi

Page 1 of 1

It is certified that error appears in the above-identified patent and that said Letters Patent is hereby corrected as shown below:

On the Title Page

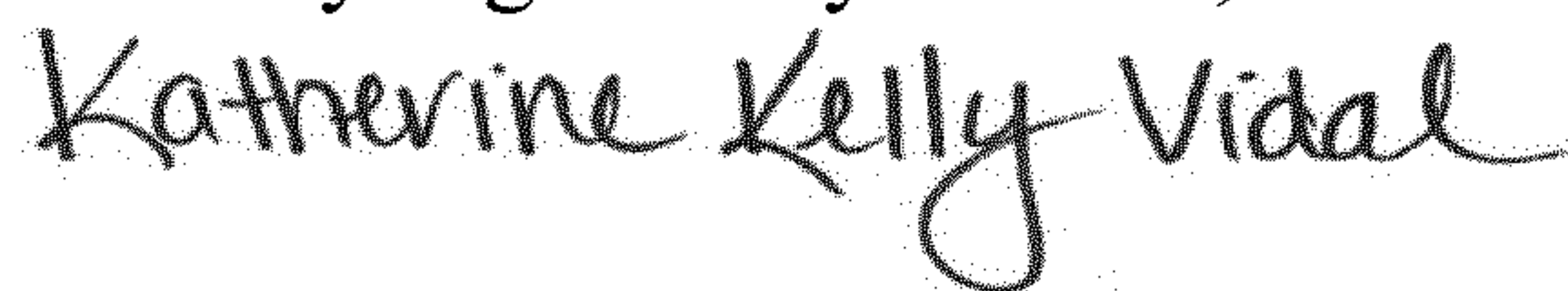
Insert:

--(30) Foreign Application Priority Data

Apr. 30, 2015 (JP) 2015-009676

Apr. 30, 2015 (JP) 2015-009677--

Signed and Sealed this
Twenty-eighth Day of June, 2022



Katherine Kelly Vidal
Director of the United States Patent and Trademark Office