



US00D948038S

(12) **United States Design Patent**
Formica et al.

(10) **Patent No.:** **US D948,038 S**

(45) **Date of Patent:** **** Apr. 5, 2022**

(54) **OUTLET-TO-TUBE CONNECTOR FOR POSITIVE AIRWAY PRESSURE DELIVERY CONSOLE**

(71) Applicant: **ResMed Pty Ltd**, Bella Vista (AU)

(72) Inventors: **Justin John Formica**, Sydney (AU);
Sung Hoon Mun, Sydney (AU)

(73) Assignee: **ResMed Pty Ltd**, Bella Vista (AU)

(**) Term: **15 Years**

(21) Appl. No.: **29/731,612**

(22) Filed: **Apr. 16, 2020**

(51) **LOC (13) Cl.** **24-02**

(52) **U.S. Cl.**
USPC **D24/129; D24/110.4**

(58) **Field of Classification Search**
USPC **D24/129, 110, 110.6, 127, 108, 112**
(Continued)

(56) **References Cited**

U.S. PATENT DOCUMENTS

D182,394 S * 4/1958 Adolphson D24/163
3,084,684 A * 4/1963 Saunders B25J 21/02
312/1

(Continued)

FOREIGN PATENT DOCUMENTS

KR 3020200010141 * 5/2021
WO WO 2014/138804 A1 9/2014
WO WO 2015/089582 A1 6/2015

OTHER PUBLICATIONS

ResMed Air10 Air Outlet, RESMED, GoCPAP, [Post date Nov. 26, 2020], [site seen Nov. 16, 2021], Seen at URL: <https://www.gocpap.com/resmed-air10-air-outlet/> (Year: 2020).*

(Continued)

Primary Examiner — Natasha Vujcic
Assistant Examiner — Gilbert B Ford
(74) *Attorney, Agent, or Firm* — Nixon & Vanderhye P.C.

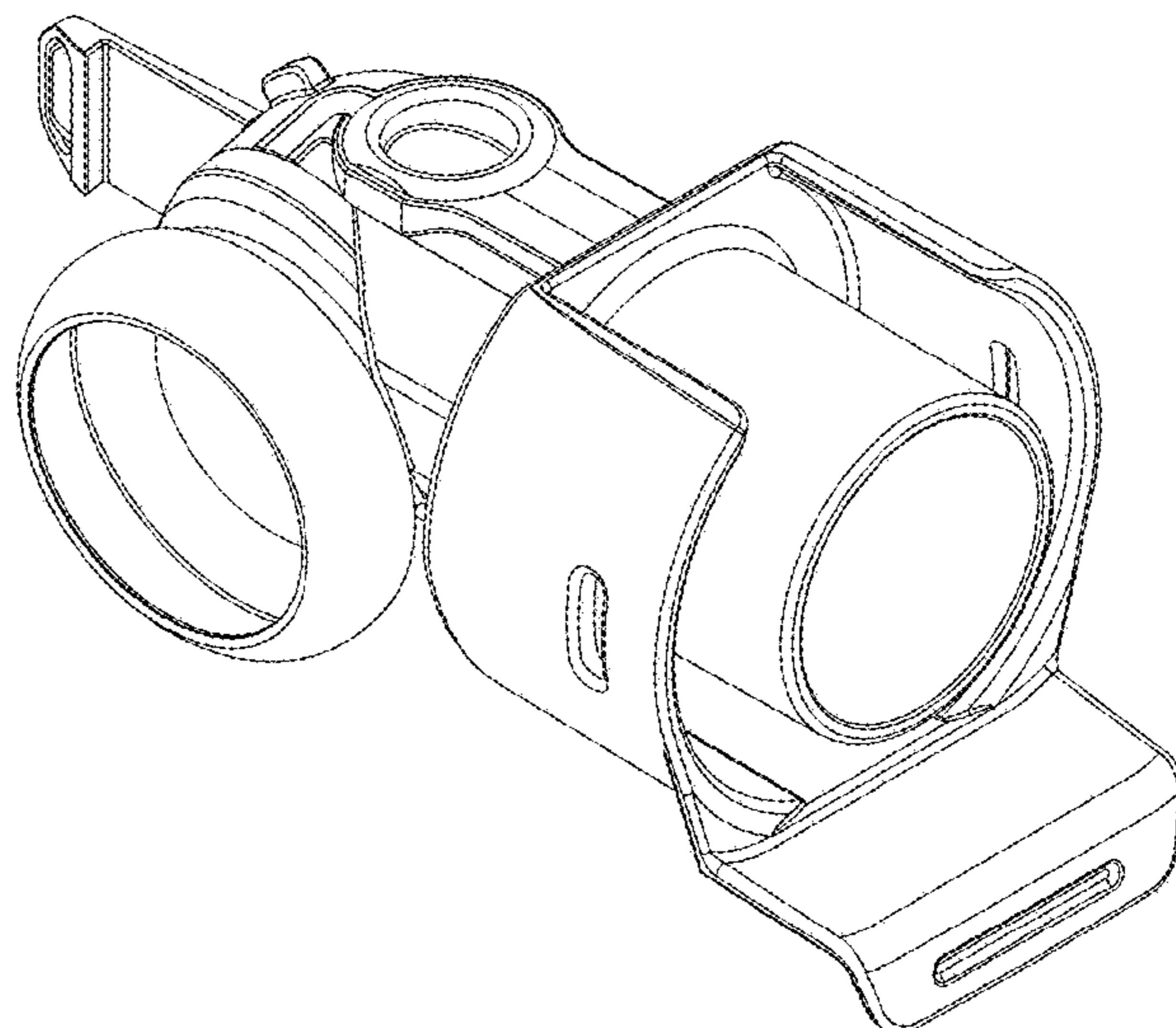
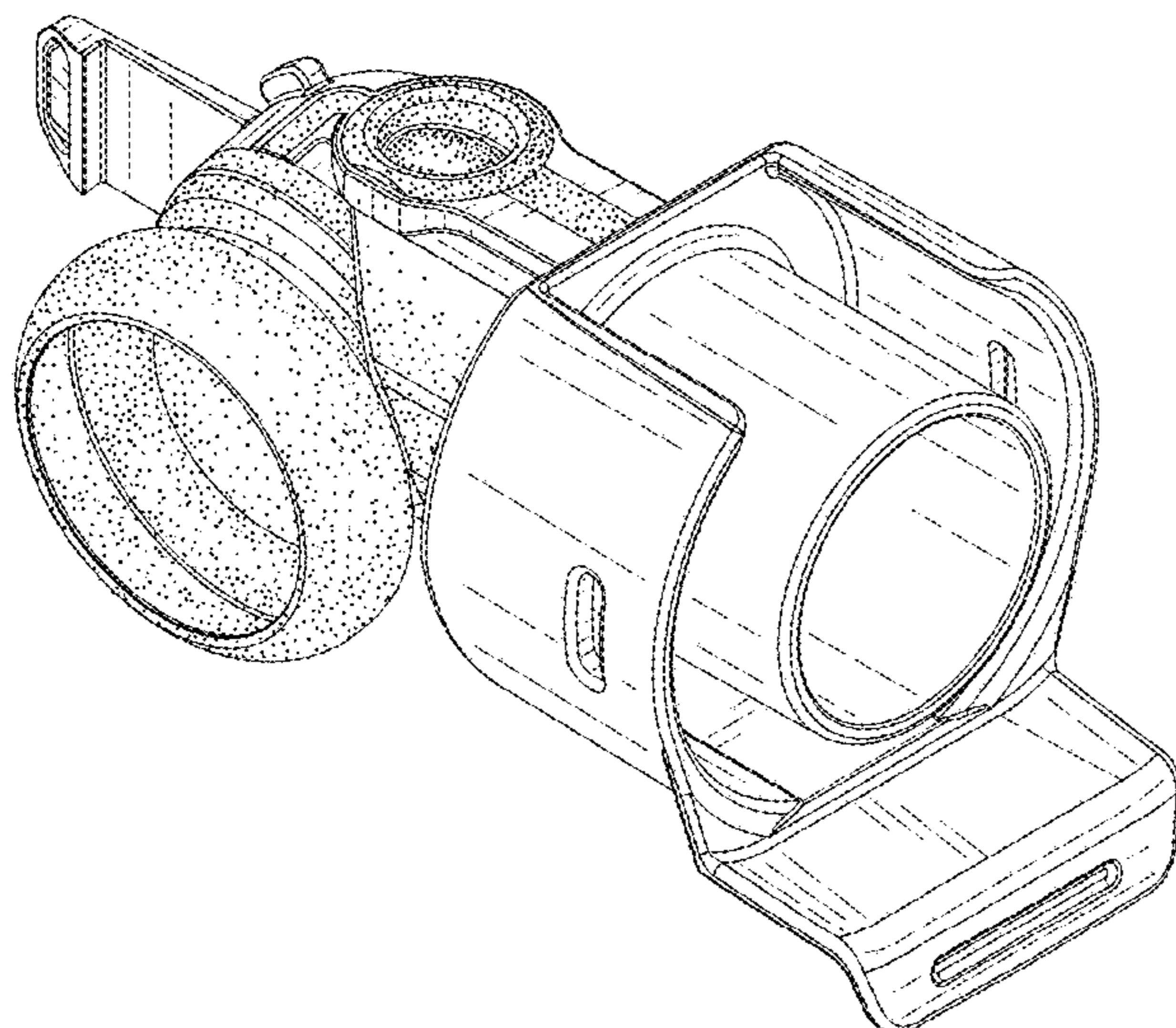
(57) **CLAIM**

The ornamental design for an outlet-to-tube connector for positive airway pressure delivery console, as shown and described.

DESCRIPTION

FIG. 1 is a front perspective view of an outlet-to-tube connector for positive airway pressure delivery console showing our new design in a first embodiment; FIG. 2 is another perspective view thereof showing the connector in isolation; FIG. 3 is a left side view thereof; FIG. 4 is a right side view thereof; FIG. 5 is a top view thereof; FIG. 6 is a bottom view thereof; FIG. 7 is a front view thereof; FIG. 8 is a rear view thereof; FIG. 9 is a reverse front perspective view thereof; FIG. 10 is a front perspective view of an outlet-to-tube connector for positive airway pressure delivery console showing our new design in a second embodiment; FIG. 11 is another perspective view thereof showing the connector in isolation; FIG. 12 is a left side view thereof; FIG. 13 is a right side view thereof; FIG. 14 is a top view thereof; FIG. 15 is a bottom view thereof; FIG. 16 is a front view thereof; FIG. 17 is a rear view thereof; and, FIG. 18 is a reverse front perspective view thereof. The broken lines in the drawings illustrate portions of the outlet-to-tube connector for positive airway pressure delivery console which form no part of the claimed design. The combination of line shading and stippling is intended to convey a contrast in appearance/materials.

1 Claim, 10 Drawing Sheets



- (58) **Field of Classification Search**
 CPC A61M 16/109; A61M 16/024; A61M
 16/0875; A61M 16/0063; A61M 16/1055;
 A61M 2205/3584
 See application file for complete search history.

(56) **References Cited**

U.S. PATENT DOCUMENTS

3,326,203 A * 6/1967 Goertzel A61G 11/00
 600/22
 D254,638 S * 4/1980 Bay, Jr. D29/109
 D329,377 S * 9/1992 Cortelli D9/418
 D339,060 S * 9/1993 Cortelli D9/415
 D558,333 S * 12/2007 Hitchcock D24/110.1
 D588,907 S * 3/2009 Cesario, Jr. D9/418
 D658,979 S * 5/2012 Gordon D9/418
 D714,434 S * 9/2014 Fahy D24/110
 D729,060 S * 5/2015 Trombetta D9/432
 D785,161 S * 4/2017 Dravitzki D24/110.4
 D808,008 S * 1/2018 Burnham D24/110.4
 D834,712 S * 11/2018 Gulliver D24/129
 D837,646 S * 1/2019 Mazzuca D9/418
 D842,460 S * 3/2019 Gierse D24/127
 D851,238 S * 6/2019 Ratner A61M 16/06
 D24/110
 D855,794 S * 8/2019 Gray D24/110.4
 D865,954 S * 11/2019 Mottola D24/129
 10,653,855 B2 * 5/2020 Barker A61M 16/0051
 D895,102 S * 9/2020 Dantanarayana D24/110.1
 D896,630 S * 9/2020 Gomez D9/418
 D899,590 S * 10/2020 Gulliver D24/129
 D900,319 S * 10/2020 Peiris D24/162
 D905,235 S * 12/2020 Mottola D24/129

10,864,343 B2 * 12/2020 Bath A61M 16/16
 D910,241 S * 2/2021 Koefeld D29/110
 D910,432 S * 2/2021 Lee D9/418
 D917,046 S * 4/2021 Abdul-Hafiz D24/129
 11,013,881 B2 * 5/2021 Bath A61M 16/021
 11,071,838 B2 * 7/2021 Frater A61M 16/0816
 D928,934 S * 8/2021 Lin D24/110
 D929,576 S * 8/2021 Motomura D24/112
 D932,004 S * 9/2021 Scheirlinck D24/110.4
 11,116,928 B2 * 9/2021 Dunn A61M 16/0616
 2019/0099576 A1 * 4/2019 Lee A61M 16/0875
 2021/0307871 A1 * 10/2021 Edalati A61B 90/40
 2021/0307872 A1 * 10/2021 Vizulis A61B 90/40
 2021/0307985 A1 * 10/2021 Staab A61G 12/00
 2021/0315757 A1 * 10/2021 Nguyen A61G 10/005
 2021/0338361 A1 * 11/2021 Majzoub A61M 16/0488

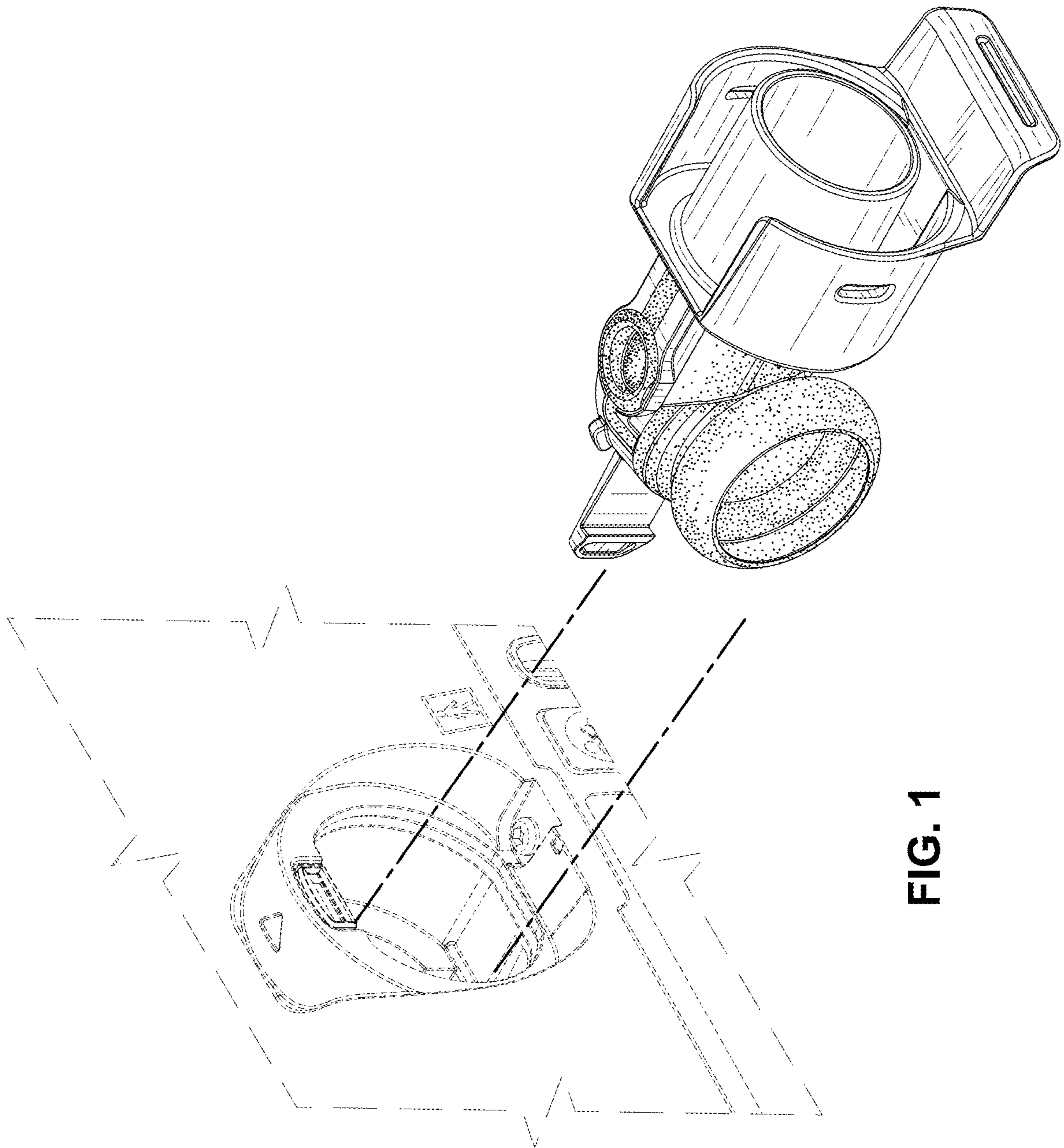
OTHER PUBLICATIONS

Replacement Swivel & Elbow Connector for ResMed AirFit F30i, P30i & N30i CPAP Mask, RESMED, CPAP store, [Post date unknown], [Site seen Nov. 16, 2021], Seen at URL: <https://www.cpapstoreusa.com/product/replacement-swivel-elbow-connector-for-resmed-airfit-f30i-p30i-n30i-cpap-mask/> (Year: 2021).*

Introduction to the myAirvo™ 2 system: Optimal humidity delivery, F&P healthcare, youtube, [Post date Oct. 26, 2021], [Site seen Nov. 16, 2021], Seen at URL: <https://www.youtube.com/watch?v=Tssom77Ev9I> (Year: 2021).*

Airfit and Airtouch F20/F30 Series Elbow Swivel, Resmed, Cpapnation.com, [Post Date unknown], [Site seen Nov. 16, 2021], Seen at URL: <https://www.cpapnation.com/products/resmed-airfit-and-airtouch-f20-f30-series-elbow-swivel> (Year: 2021).*

* cited by examiner



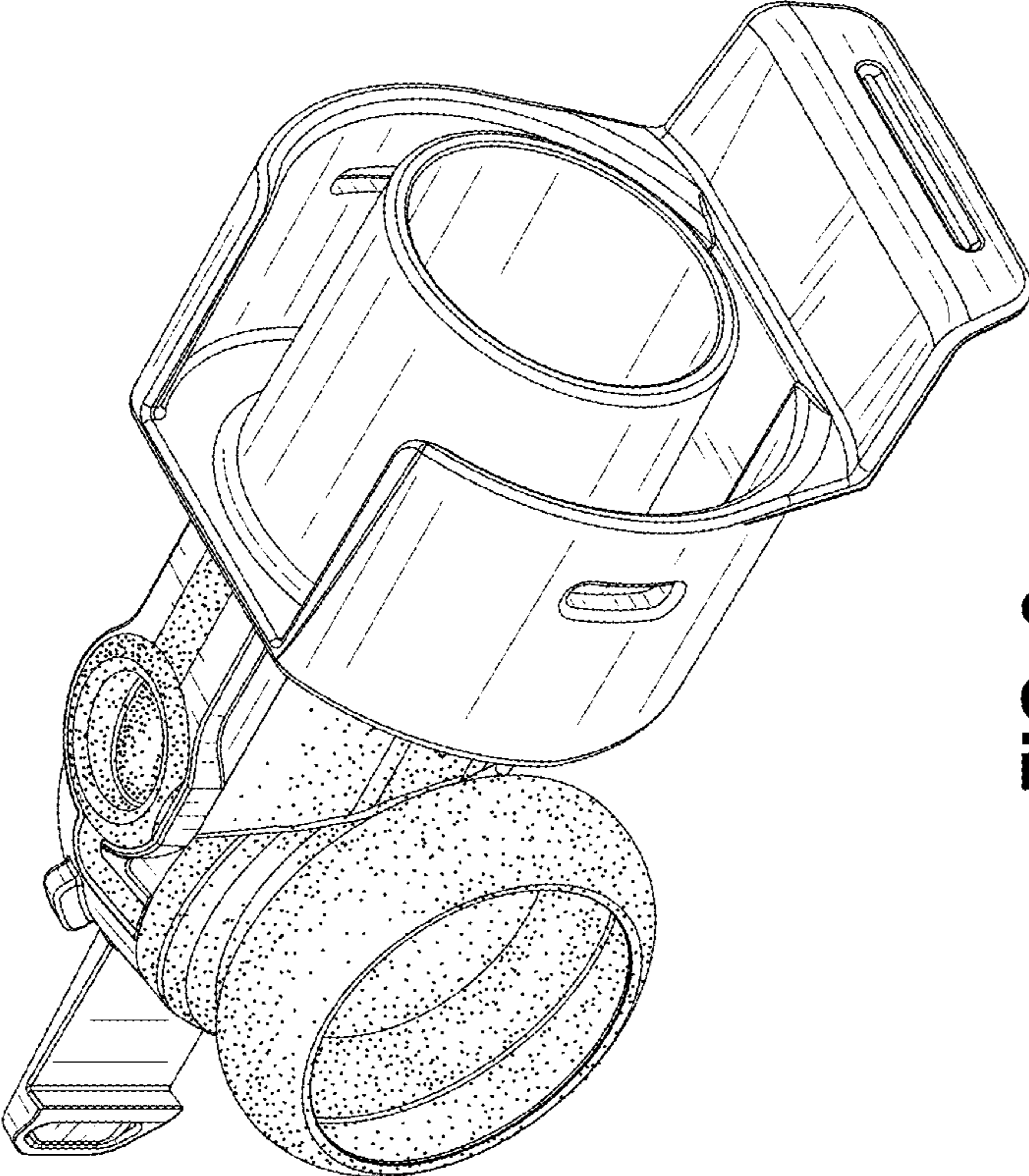


FIG. 2

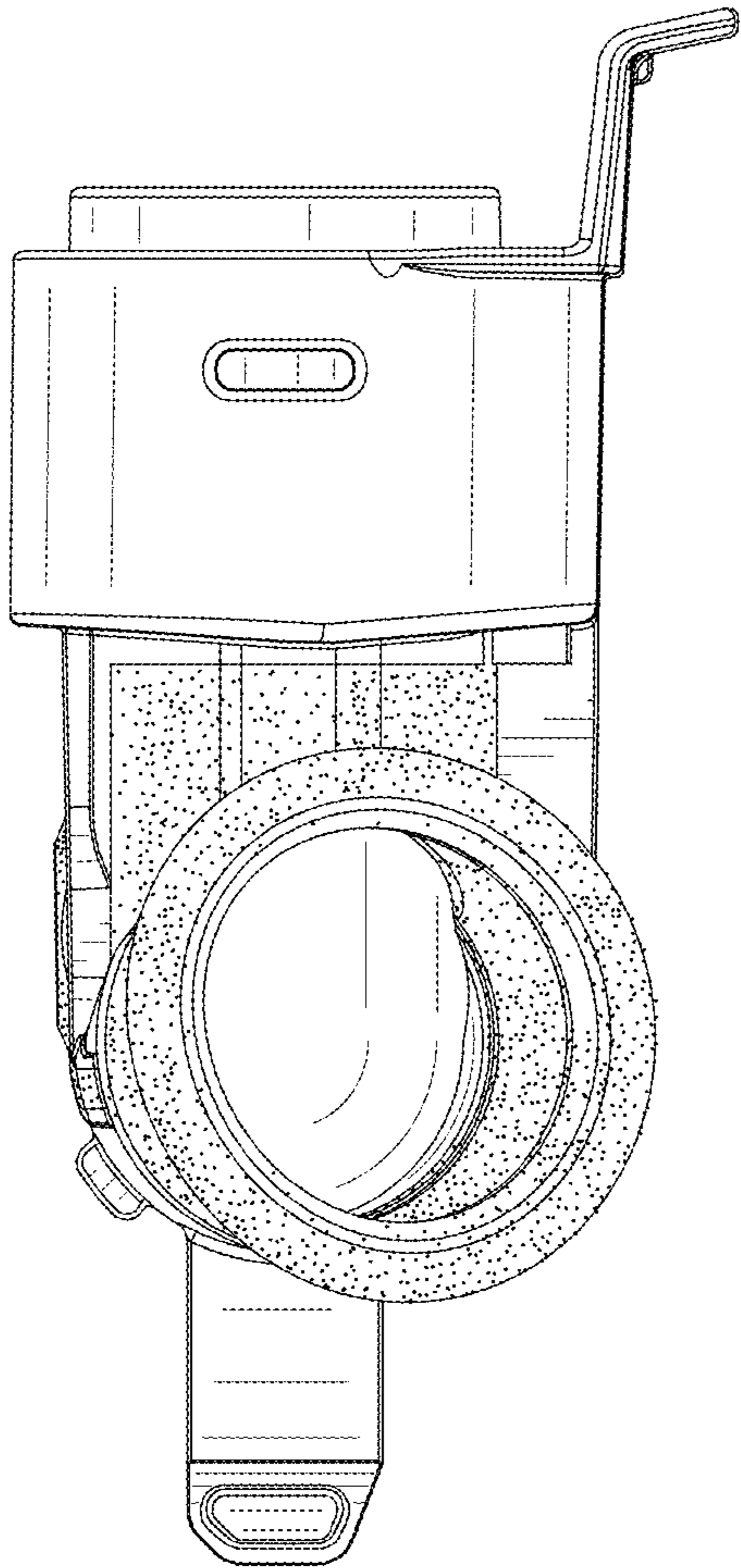


FIG. 3

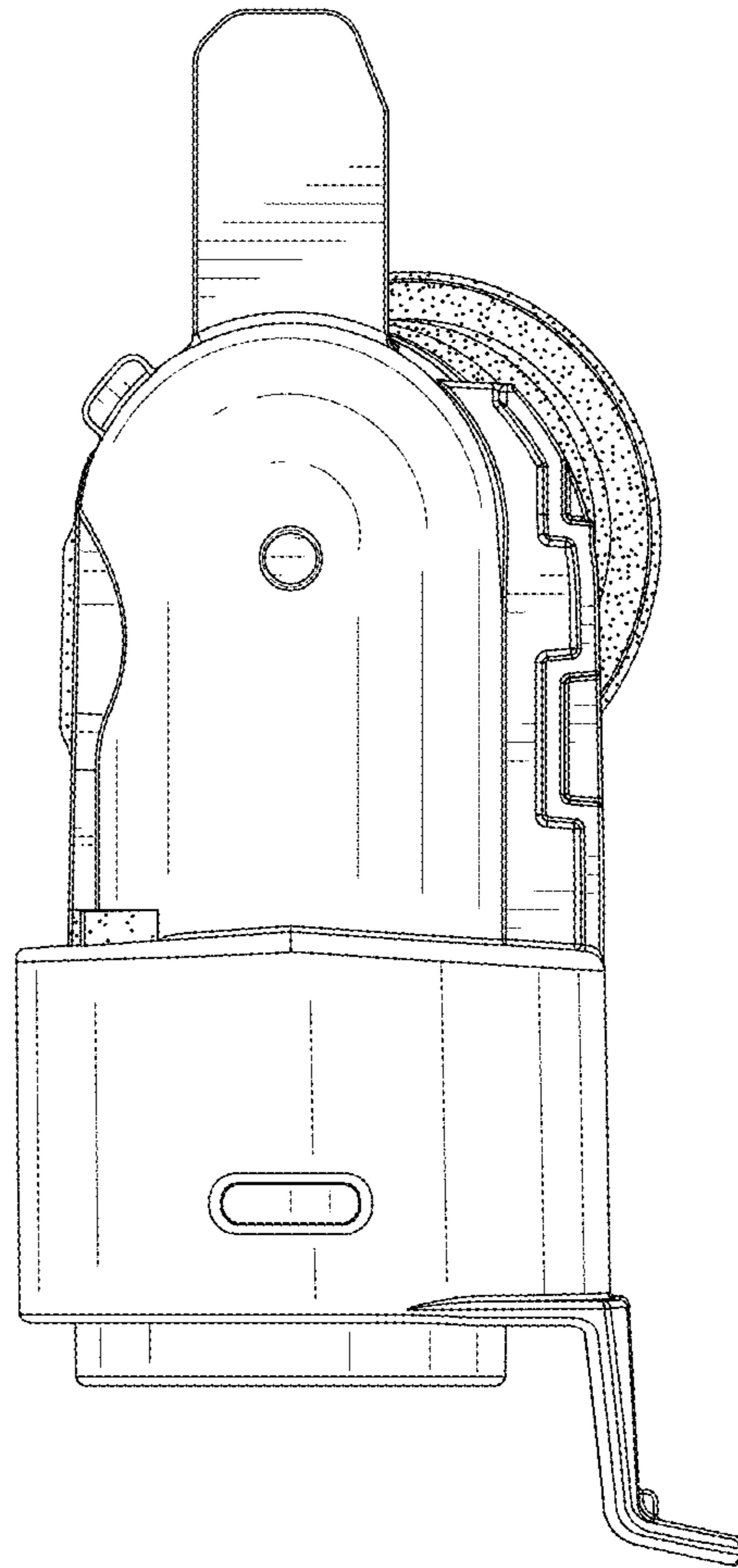


FIG. 4

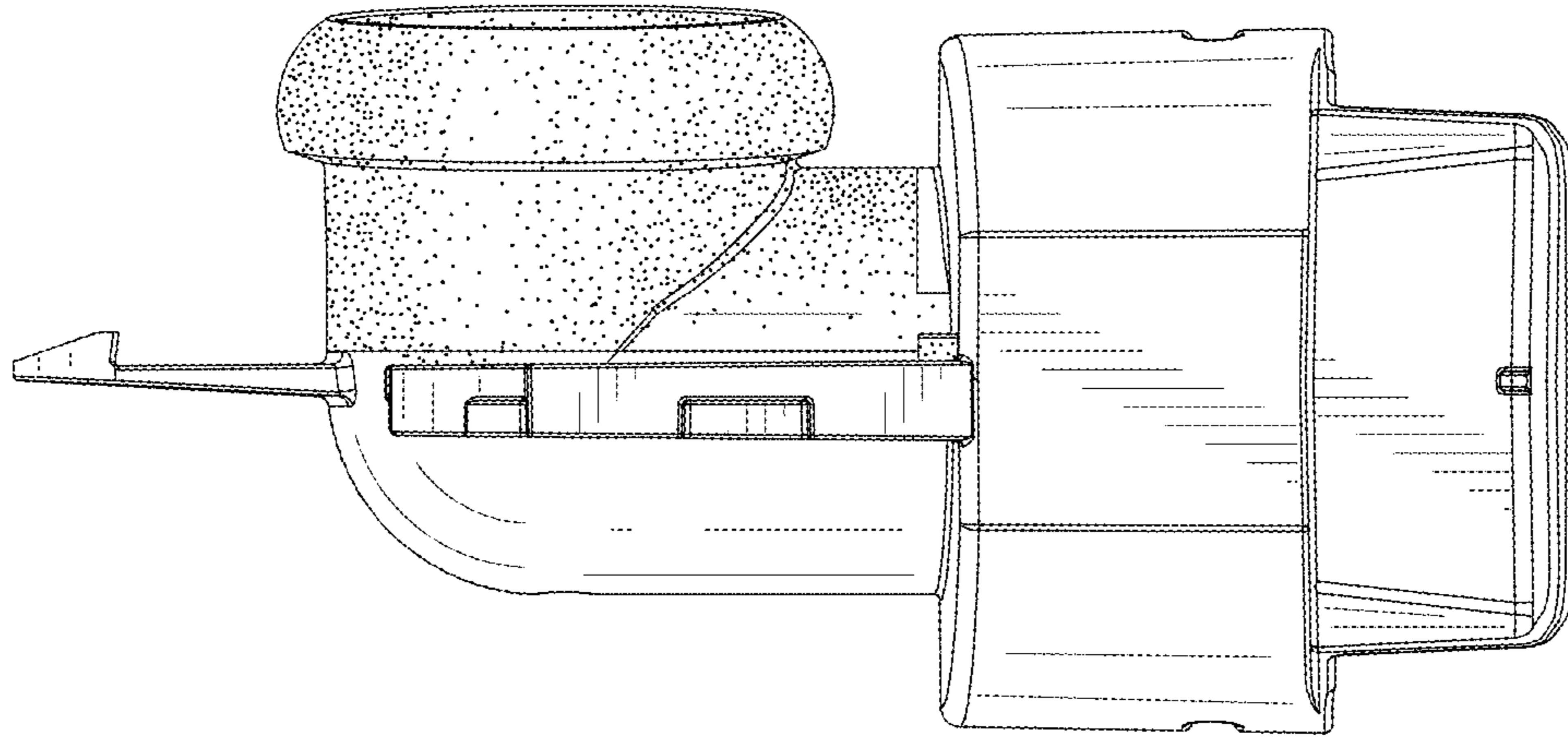


FIG. 6

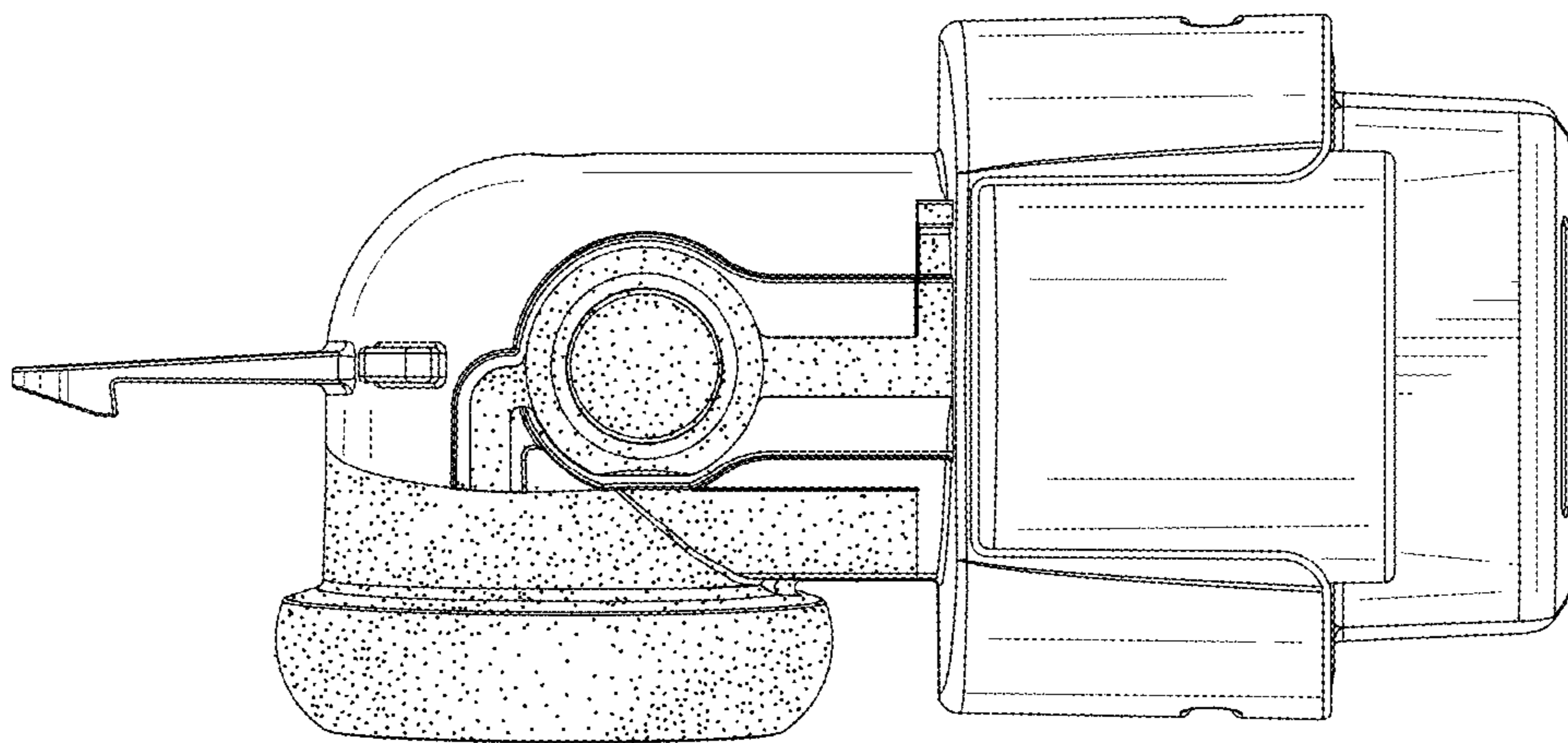


FIG. 5

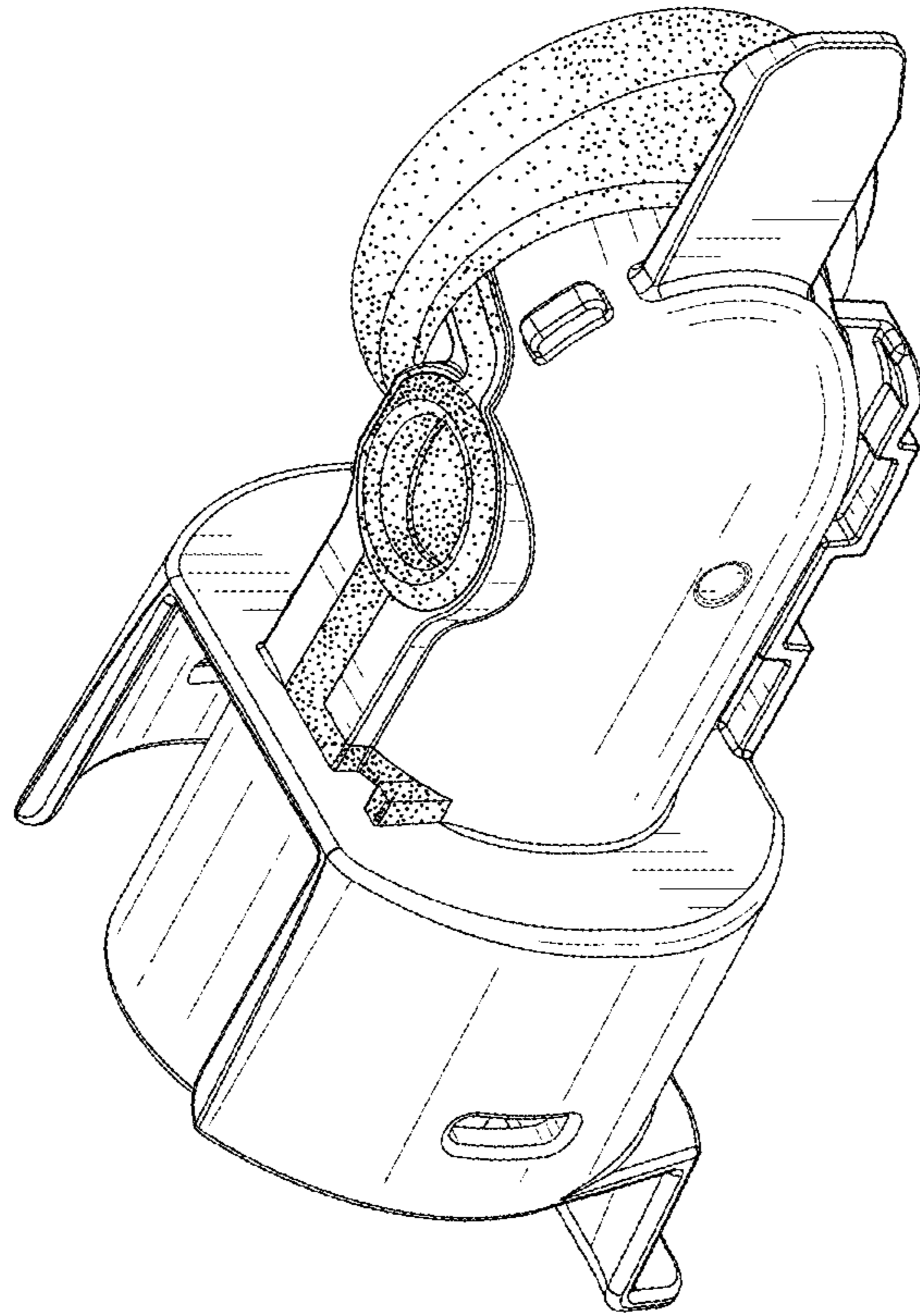


FIG. 9

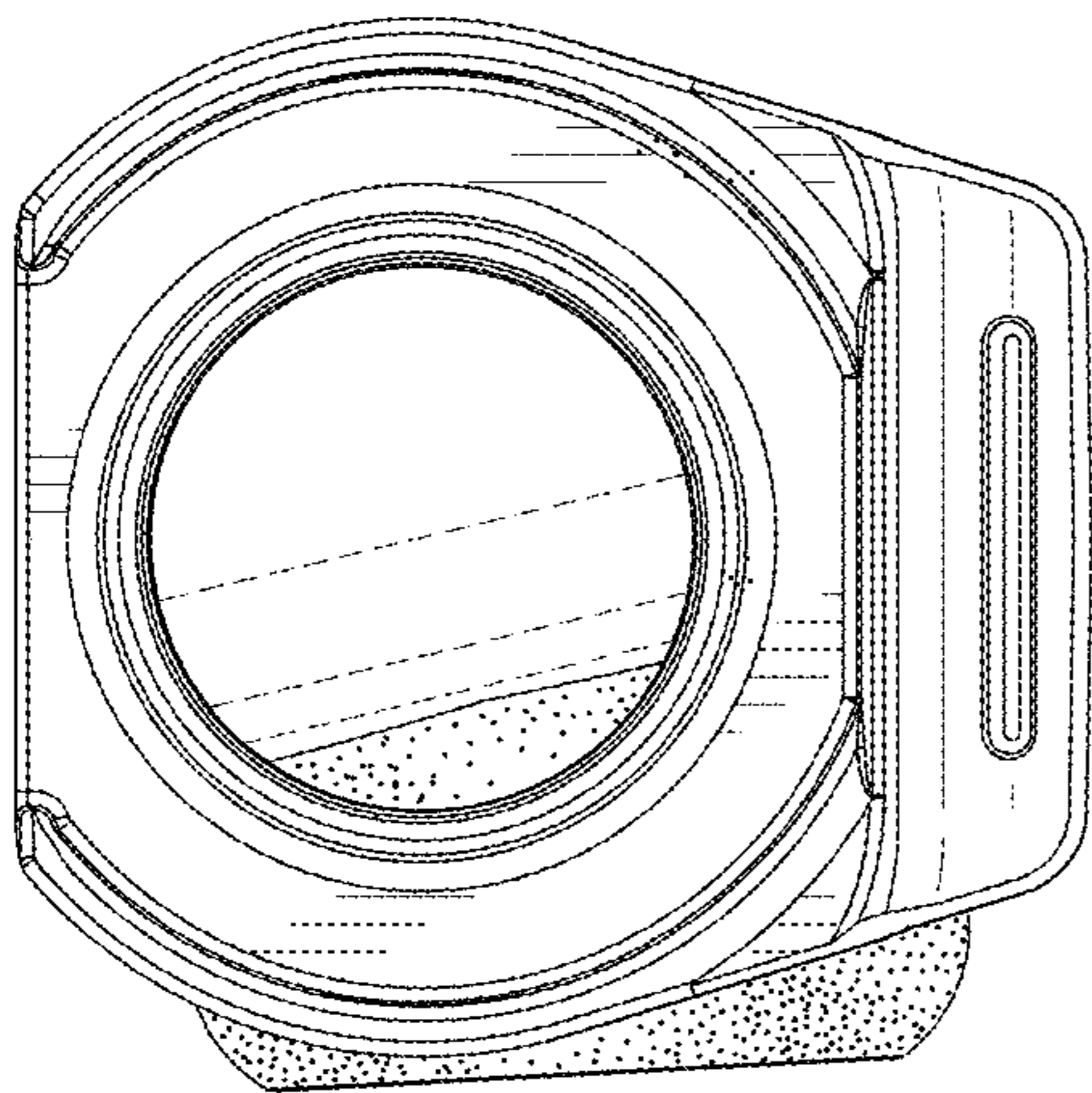


FIG. 7

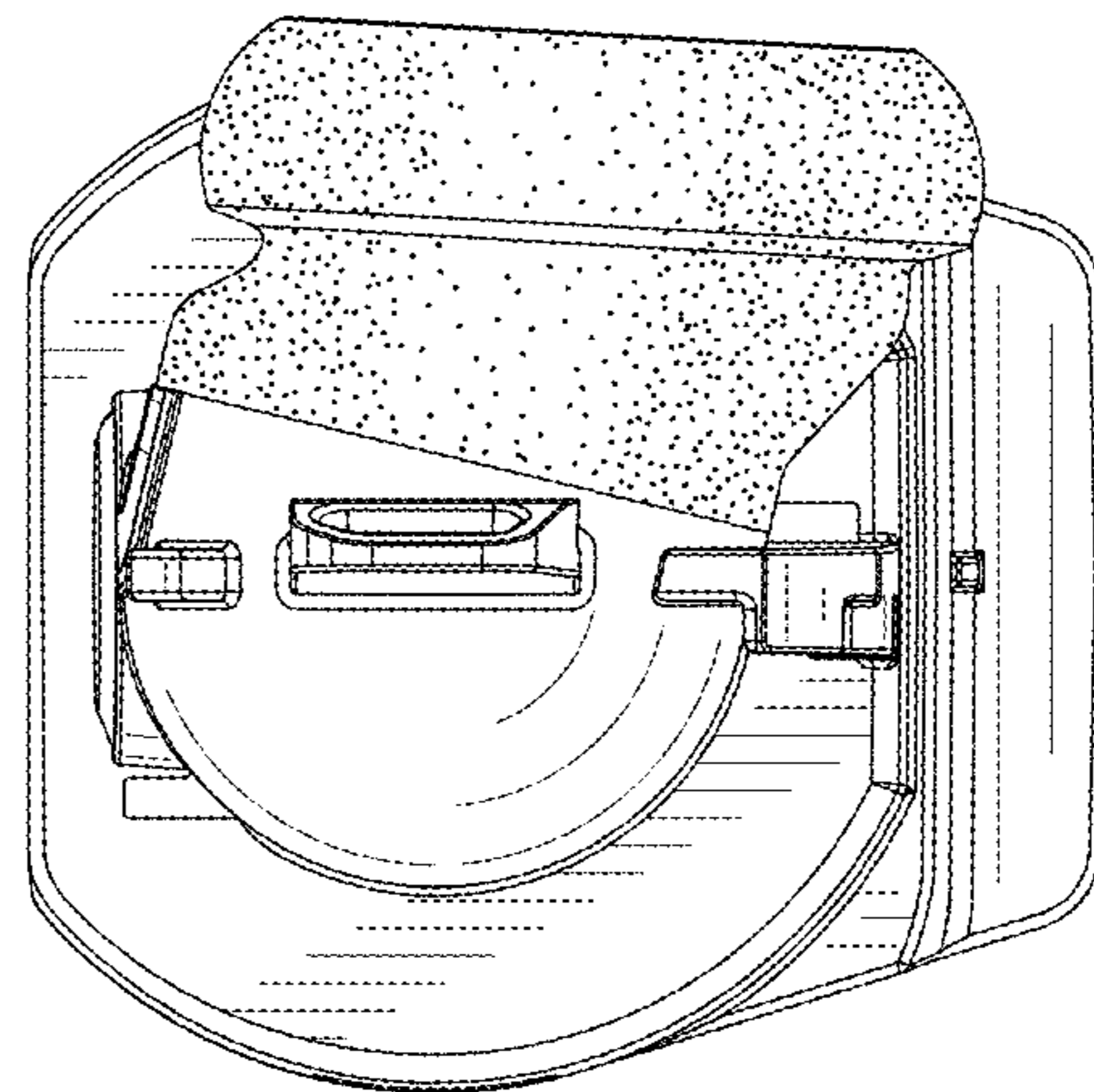


FIG. 8

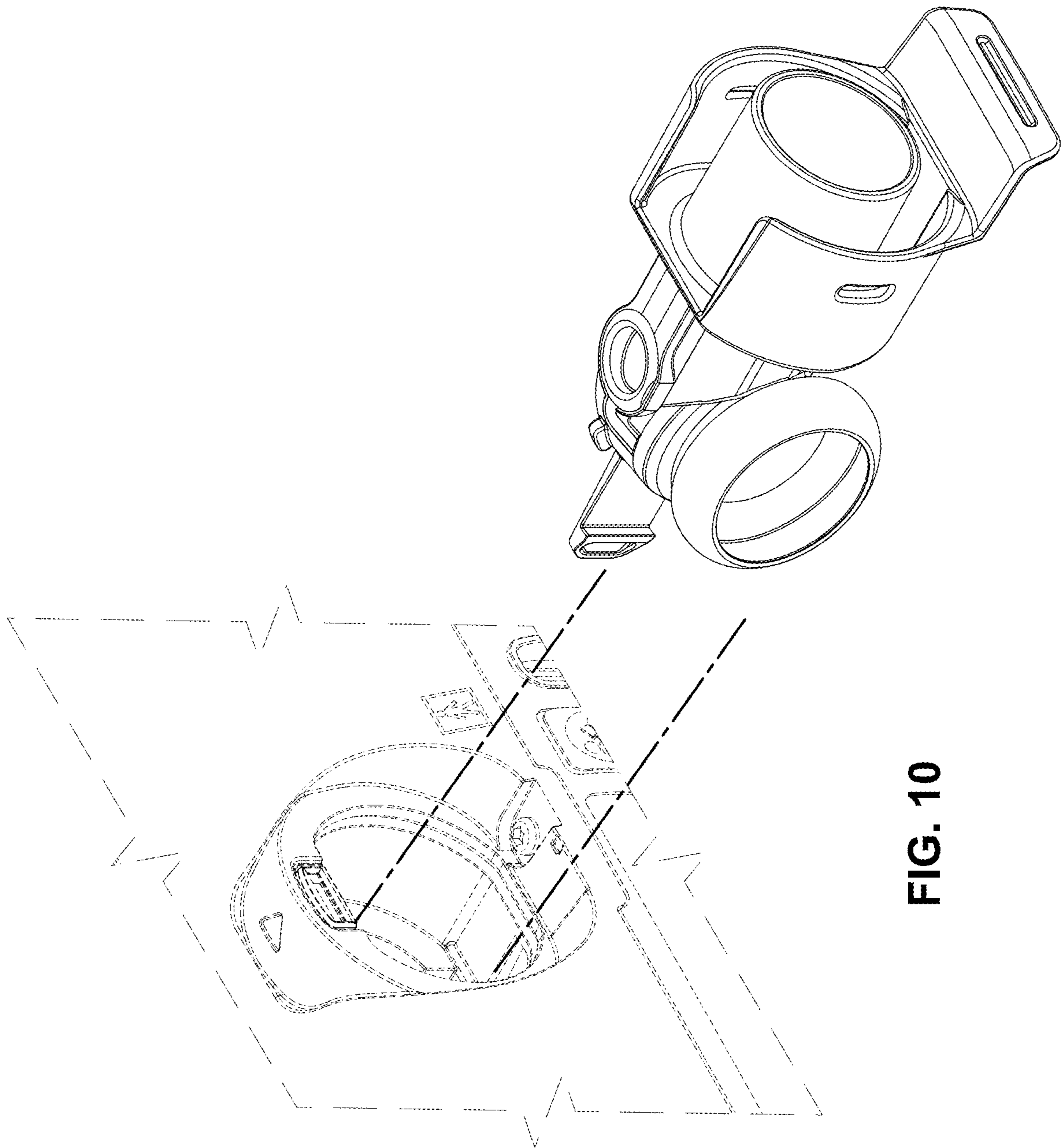


FIG. 10

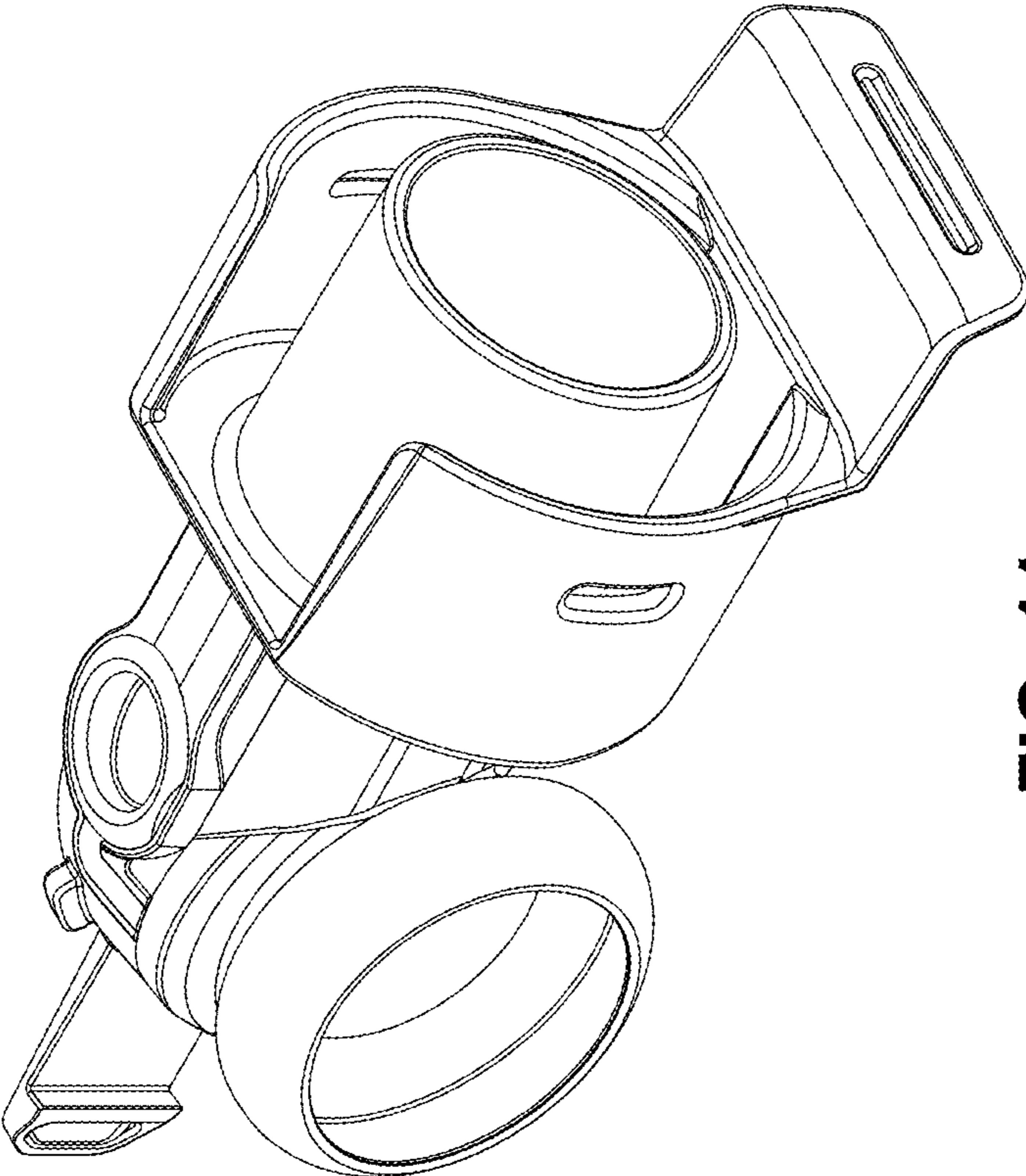


FIG. 11

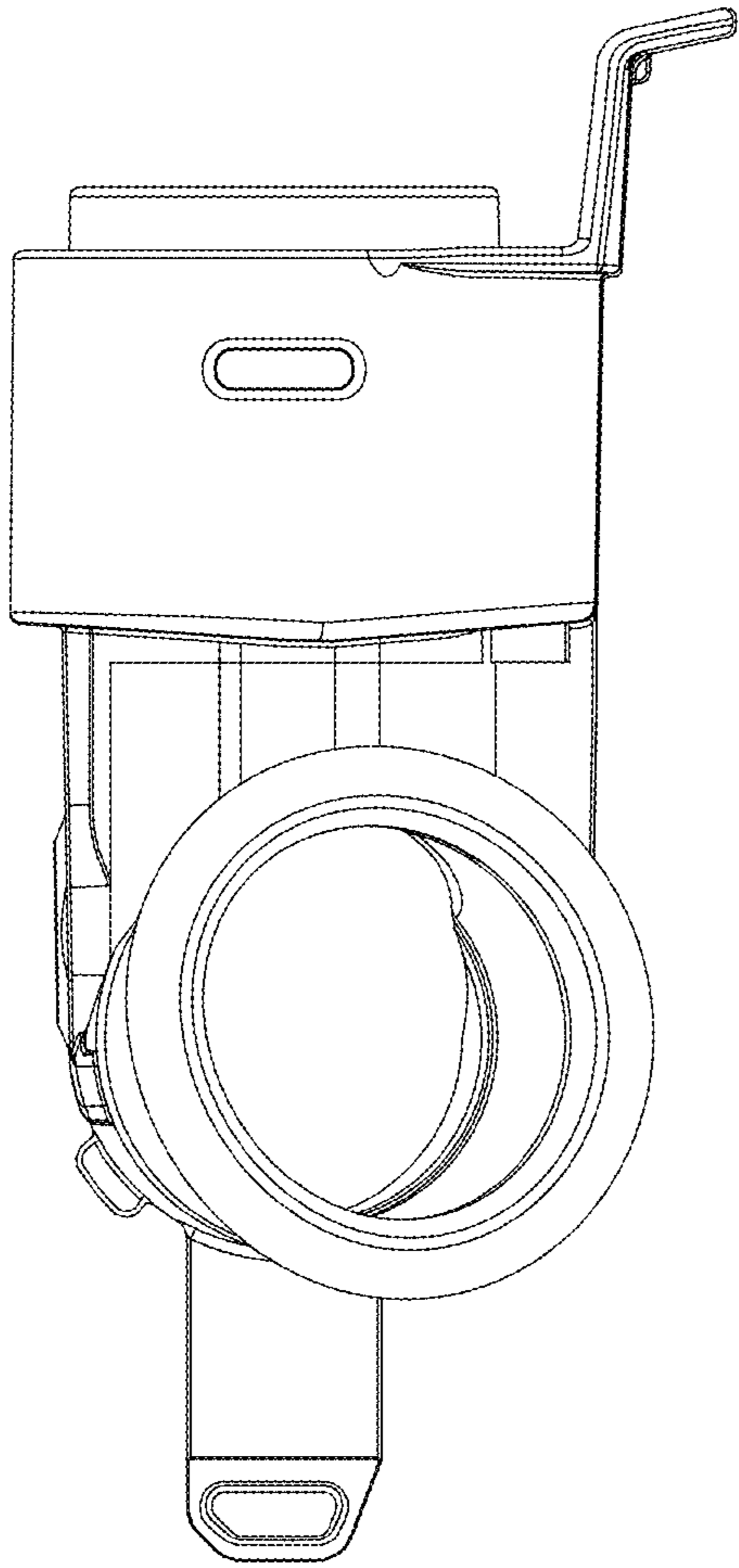


FIG. 12

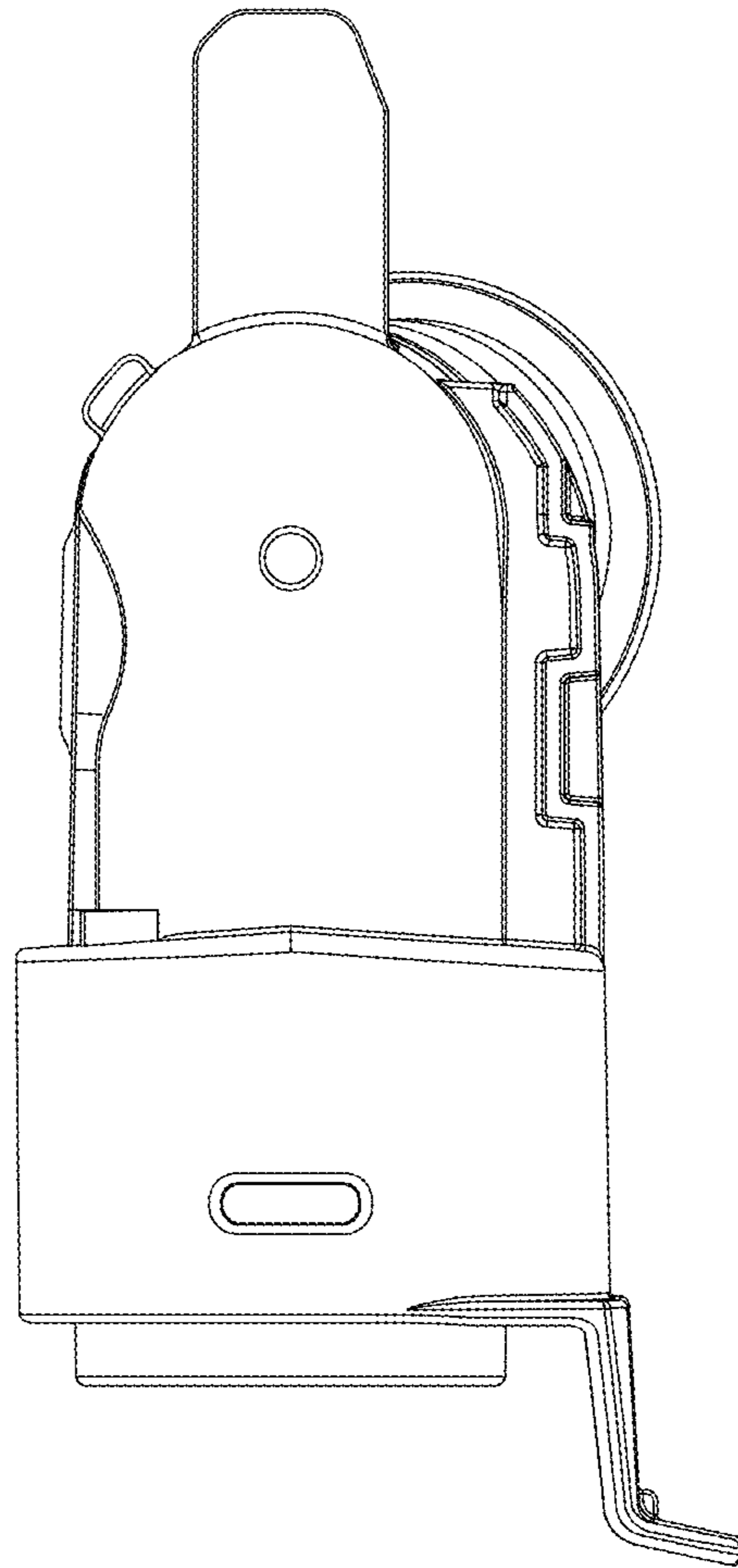


FIG. 13

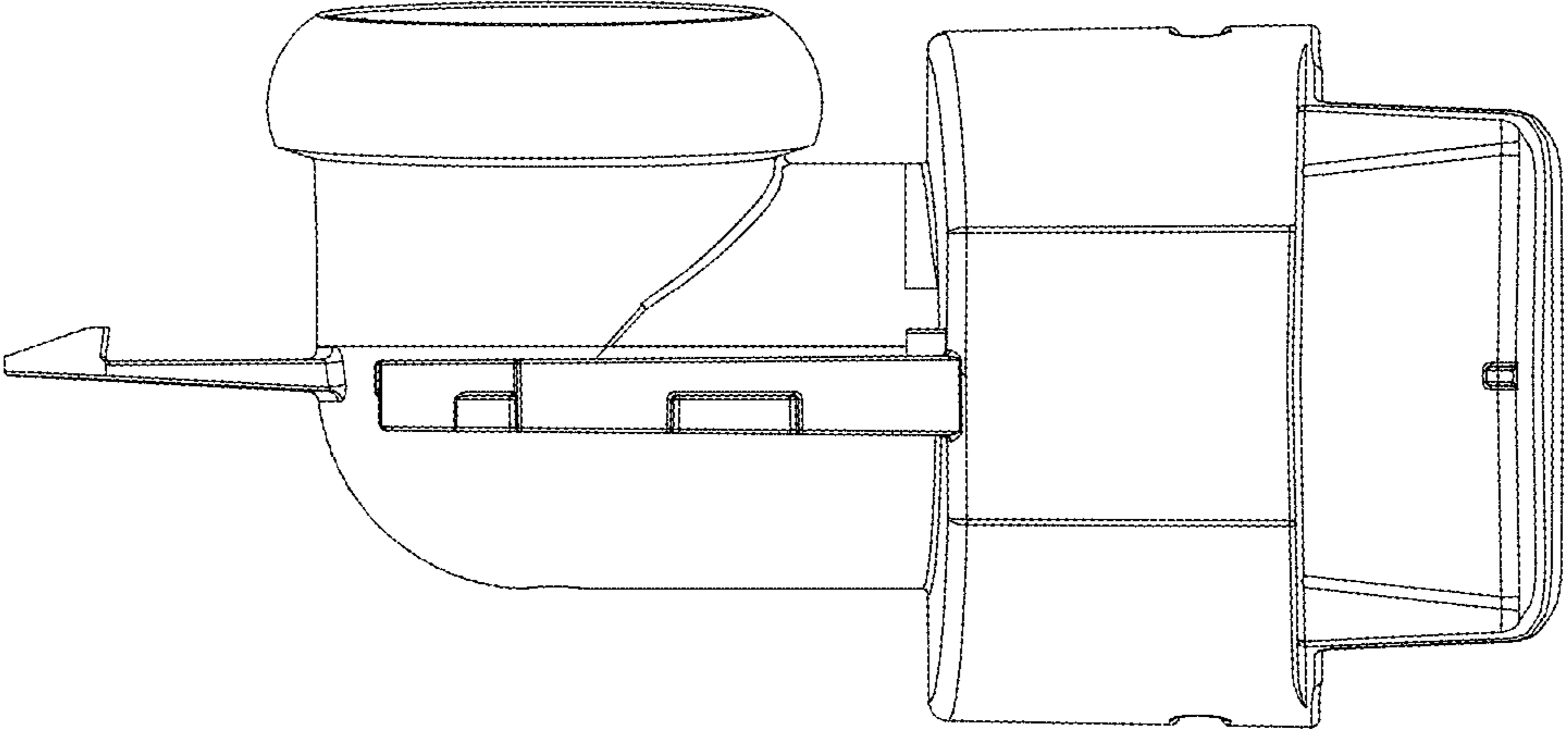


FIG. 15

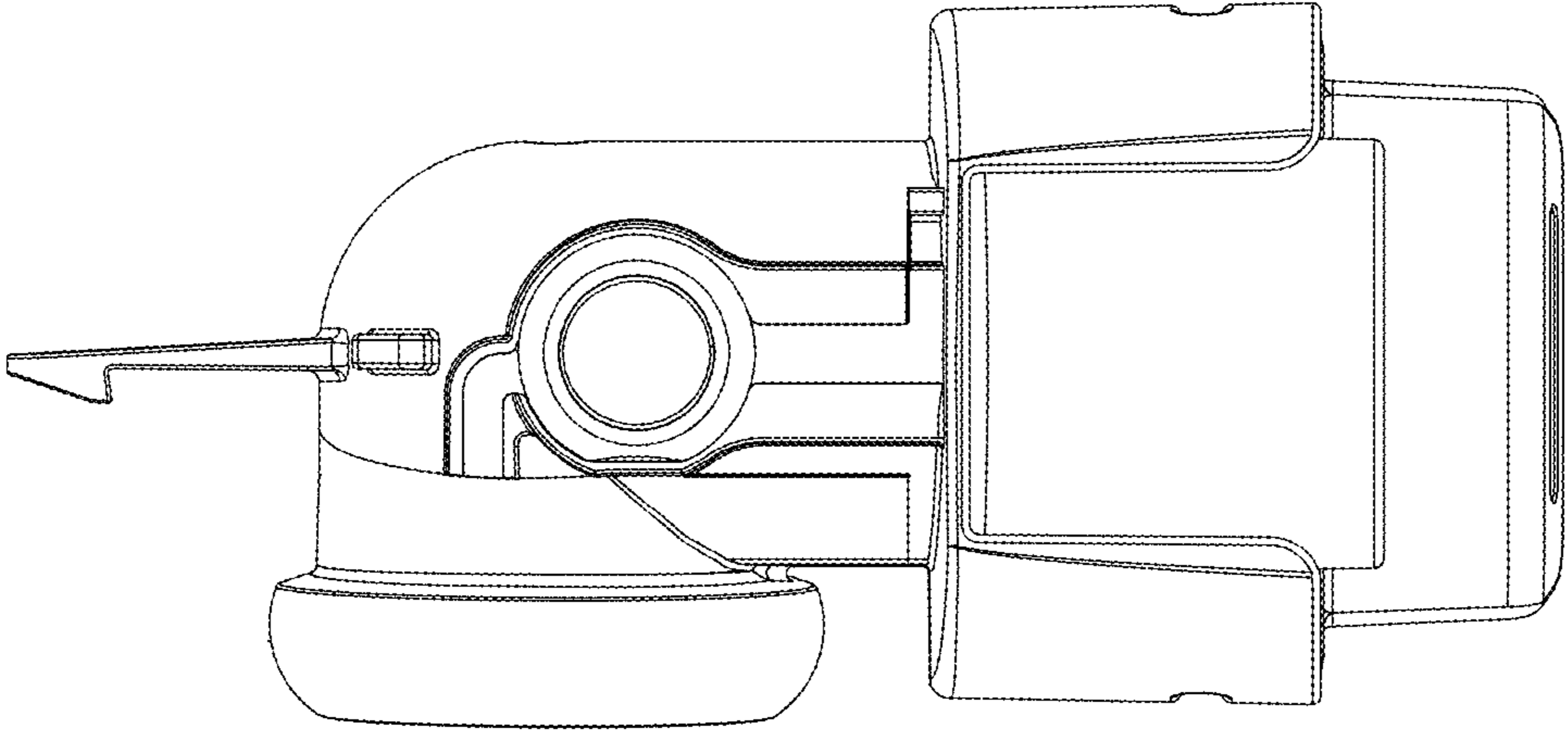


FIG. 14

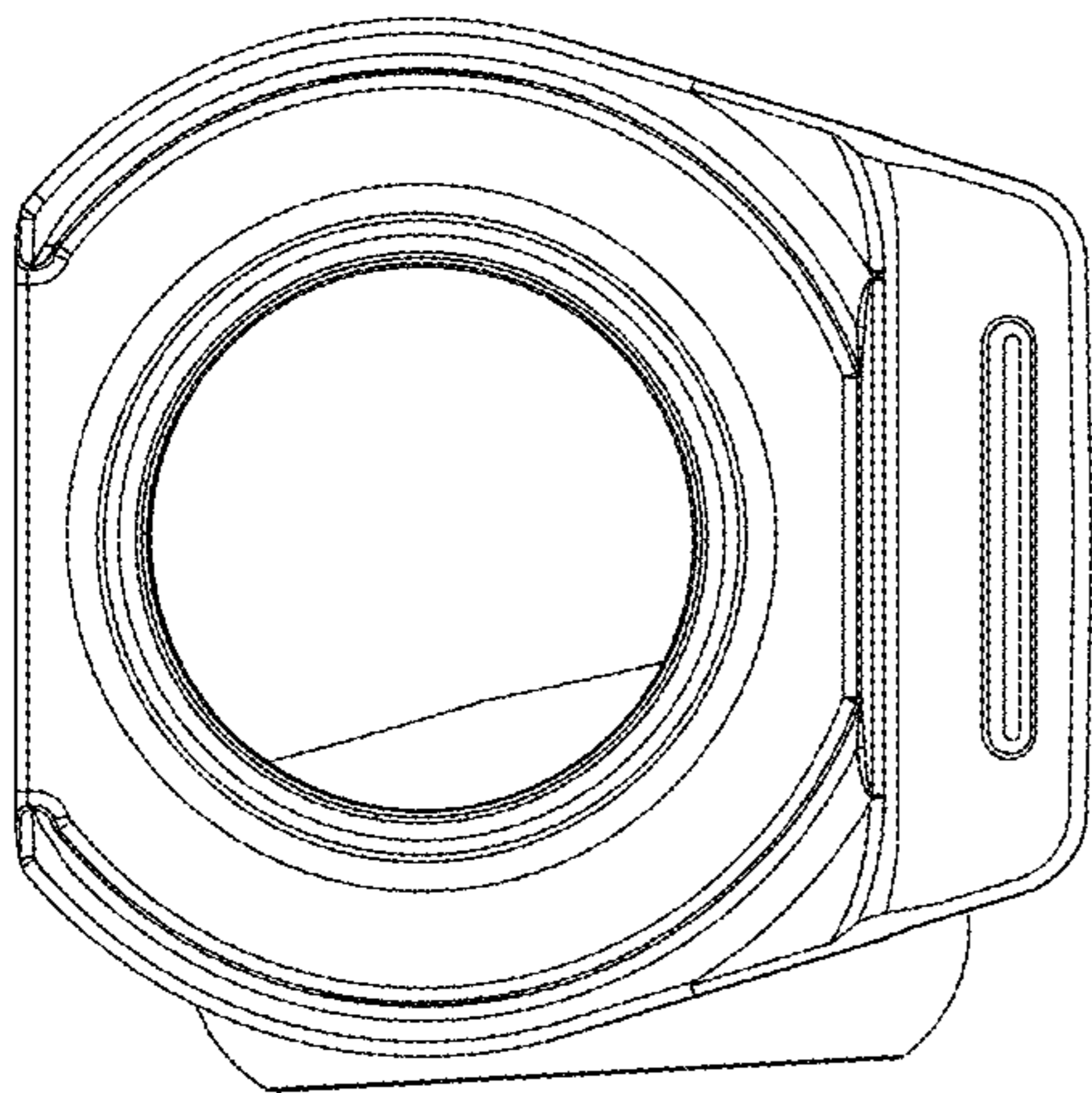


FIG. 16

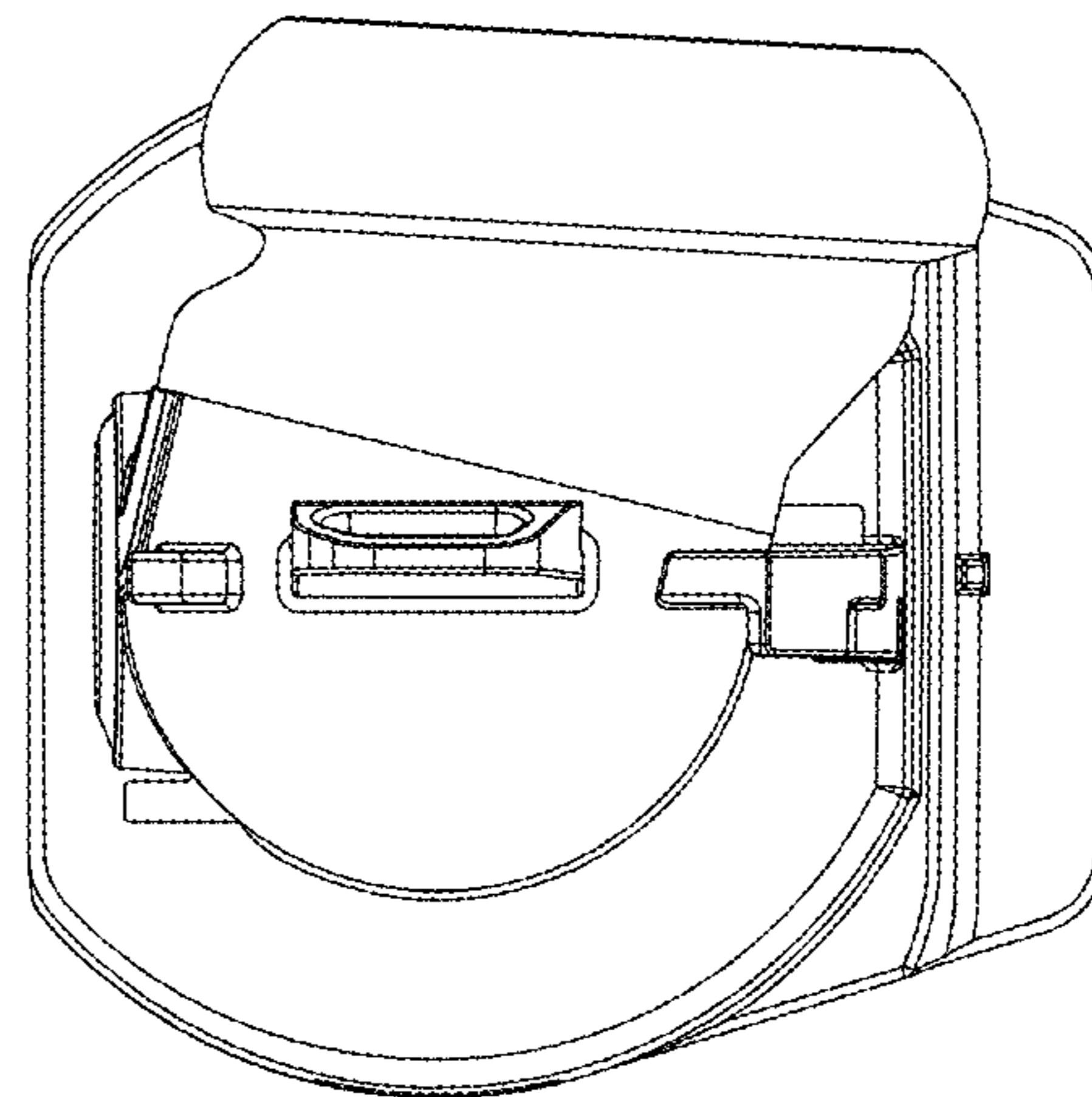


FIG. 17

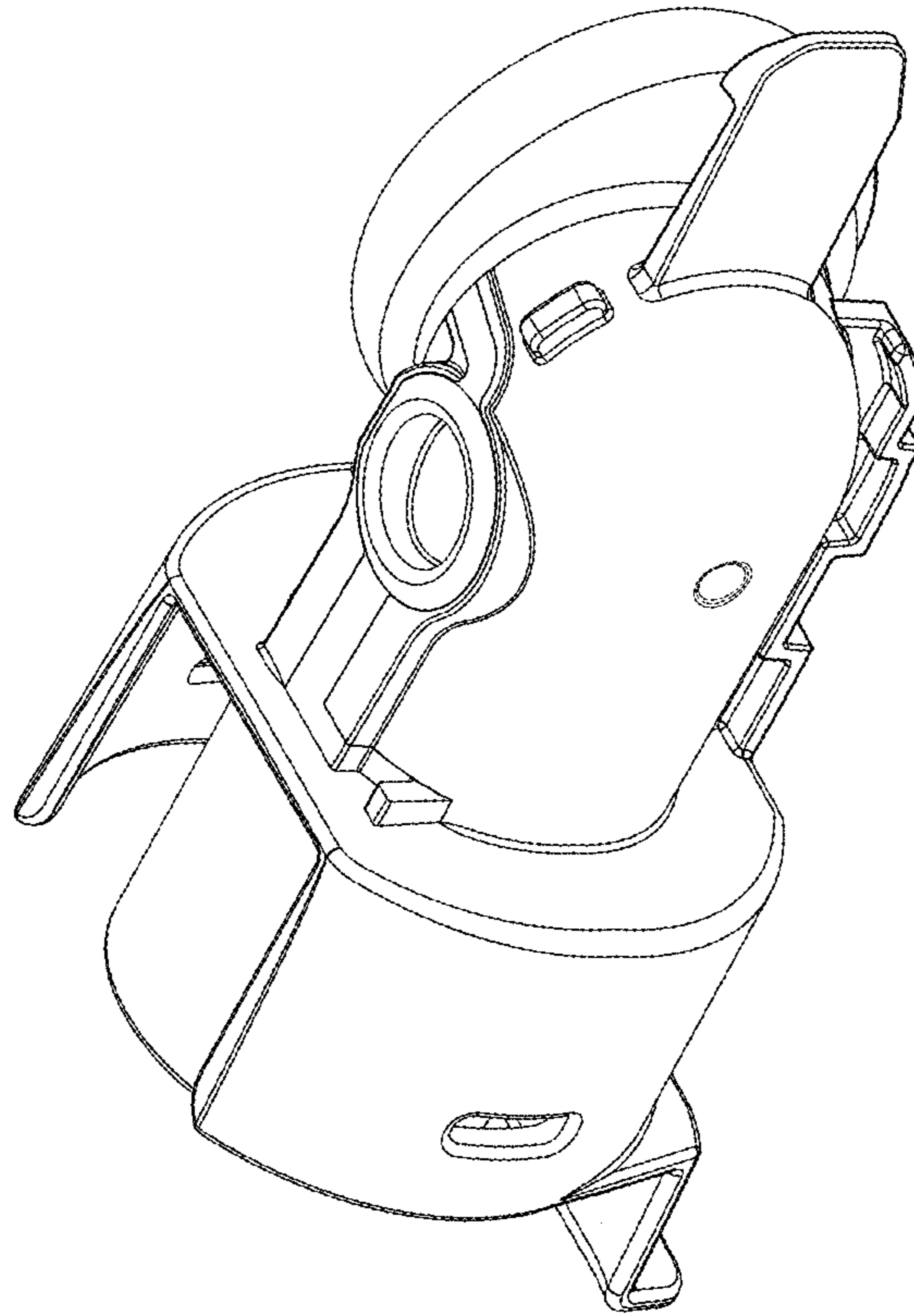


FIG. 18