



US00D948037S

(12) **United States Design Patent** (10) **Patent No.:** **US D948,037 S**
Breitweiser et al. (45) **Date of Patent:** **** Apr. 5, 2022**

(54) **CASSETTE**
(71) Applicant: **KPR U.S., LLC**, Mansfield, MA (US)
(72) Inventors: **Kenneth M. Breitweiser**, Brighton, IL (US); **Wayne Biermann**, St. Charles, MO (US); **Gary J. Waldhoff**, St. Charles, MO (US); **Lester Paul Trelford**, St. Louis, MO (US)
(73) Assignee: **KPR U.S., LLC**, Mansfield, MA (US)
(**) Term: **15 Years**

D740,950 S * 10/2015 Osness D24/186
D741,995 S * 10/2015 Prasser D24/113
D745,173 S * 12/2015 Marzynski D24/186
D752,763 S * 3/2016 Rondoni D24/186
9,313,910 B2 * 4/2016 Waldhoff G01K 13/20
D759,254 S * 6/2016 Knieriem D24/186
D765,257 S * 8/2016 Marzynski D24/186
D765,258 S * 8/2016 Marzynski D24/186
9,453,768 B2 * 9/2016 Harr G01K 1/14
D770,051 S * 10/2016 Eggli D24/186
D771,244 S * 11/2016 Takemoto D24/113
D771,821 S * 11/2016 Hilbig D24/186
D782,051 S * 3/2017 Ryu D24/186
D784,541 S * 4/2017 Hilbig D24/186
D784,542 S * 4/2017 Zwierstra D24/186

(Continued)

(21) Appl. No.: **29/713,529**
(22) Filed: **Nov. 15, 2019**
(51) **LOC (13) Cl.** **24-01**
(52) **U.S. Cl.**
USPC **D24/129**
(58) **Field of Classification Search**
USPC D24/127-131, 112-114, 133, 186, 118;
606/181, 185; 604/264, 272, 115, 232,
604/187, 158, 164.08, 192, 263, 163, 181,
604/184, 198, 227, 332, 333, 151;
600/101, 139, 143; 128/200.24, 207.14,
128/207.15, DIG. 24; 417/477.2
CPC A61M 5/14232; F04B 43/1253; F04B
43/1269; F04B 43/1223
See application file for complete search history.

OTHER PUBLICATIONS

Narayanan, I. et al., "Fat loss during feeding of human milk", Queen Charlotte's Maternity Hospital, London, Arch Dis Child: first published as 10.1136/adc.59.5.475 on May 1, 1984., pp. 475-477, (1984).

Primary Examiner — Nathan M Johnston
(74) *Attorney, Agent, or Firm* — Arent Fox LLP

(57) **CLAIM**

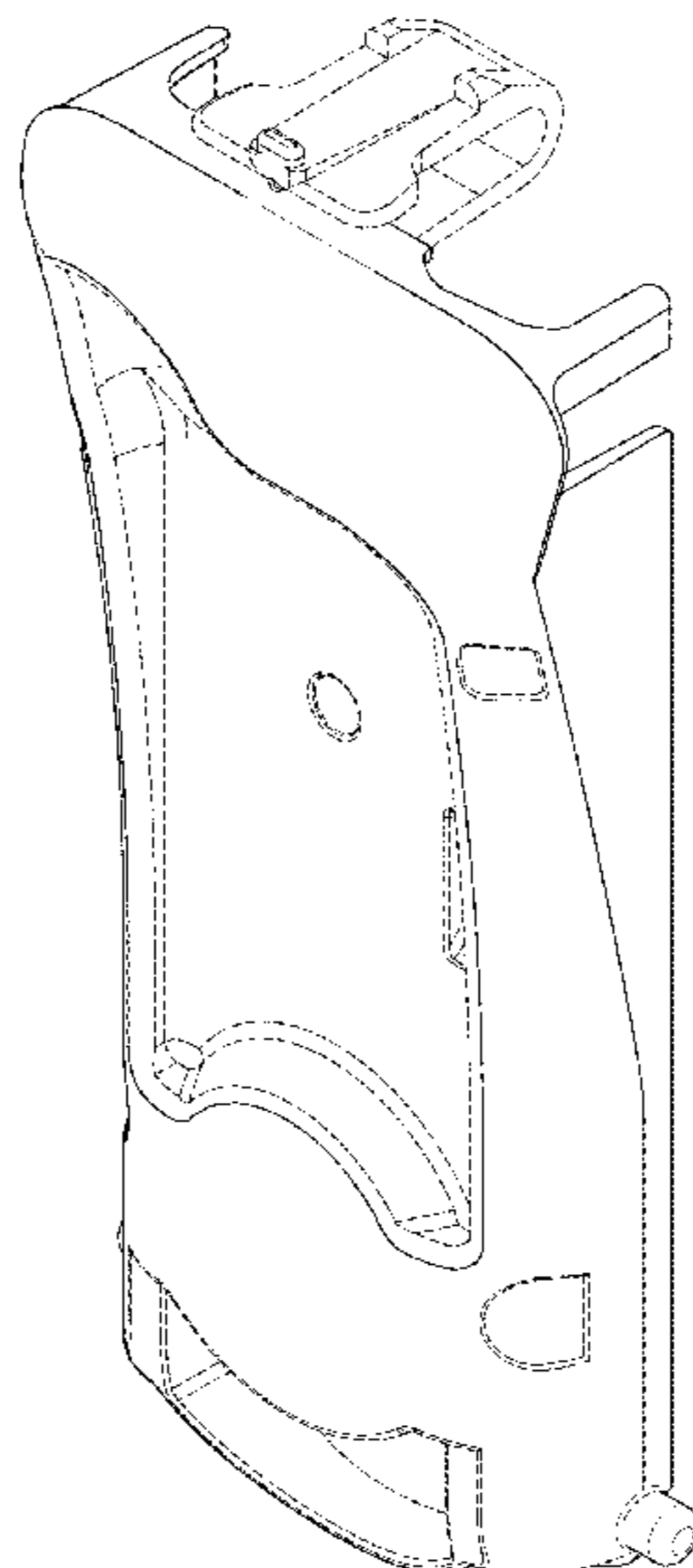
The ornamental design for a cassette, as shown and described.

DESCRIPTION

FIG. 1 is a front perspective view of a cassette;
FIG. 2 is a front view of the cassette of FIG. 1;
FIG. 3 is a right side view of the cassette of FIG. 1;
FIG. 4 is a top plan view of the cassette of FIG. 1;
FIG. 5 is a rear view of the cassette of FIG. 1;
FIG. 6 is a left side view of the cassette of FIG. 1; and,
FIG. 7 is a bottom plan view of the cassette of FIG. 1.
The elements shown in phantom form no part of the claimed design.

1 Claim, 7 Drawing Sheets

(56) **References Cited**
U.S. PATENT DOCUMENTS
D590,509 S * 4/2009 Costa D24/186
8,118,778 B2 * 2/2012 Haylor A61M 5/1413
604/131
D664,257 S * 7/2012 Patil D24/186
D687,599 S * 8/2013 Amit D28/58
D702,355 S * 4/2014 Laplante D24/186
8,974,415 B2 * 3/2015 Robert A61M 5/14228
604/151
D732,410 S * 6/2015 Waaler D10/81



(56)

References Cited

U.S. PATENT DOCUMENTS

D794,207 S * 8/2017 Flanagan D24/186
D794,805 S * 8/2017 Kranz D24/186
D806,233 S * 12/2017 Wolper D24/112
D806,881 S * 1/2018 Corrigan D24/186
D810,948 S * 2/2018 Wielunski D24/186
9,974,902 B2 5/2018 Holderle et al.
D822,216 S * 7/2018 Barker D24/186
D830,565 S * 10/2018 Xu D24/200
D833,624 S * 11/2018 De D24/186
D837,388 S * 1/2019 DaCosta D24/186
2005/0191196 A1 * 9/2005 Tanner A61M 5/14232
417/477.2
2008/0125701 A1 * 5/2008 Moberg A61B 5/4866
604/67
2009/0069749 A1 * 3/2009 Miller A61M 5/1413
604/151
2009/0099523 A1 * 4/2009 Grant A61M 5/145
604/151
2012/0095398 A1 * 4/2012 Fonacier H01M 50/20
604/151
2014/0031784 A1 1/2014 Flynn et al.
2014/0242213 A1 8/2014 McCarty et al.
2015/0037168 A1 * 2/2015 Faccioli A61M 5/38
417/18
2016/0082184 A1 * 3/2016 Hanagan A61M 5/162
604/151
2016/0199568 A1 * 7/2016 McNall, III A61M 5/14232
604/67
2016/0256621 A1 9/2016 Toro et al.

* cited by examiner

FIG. 1

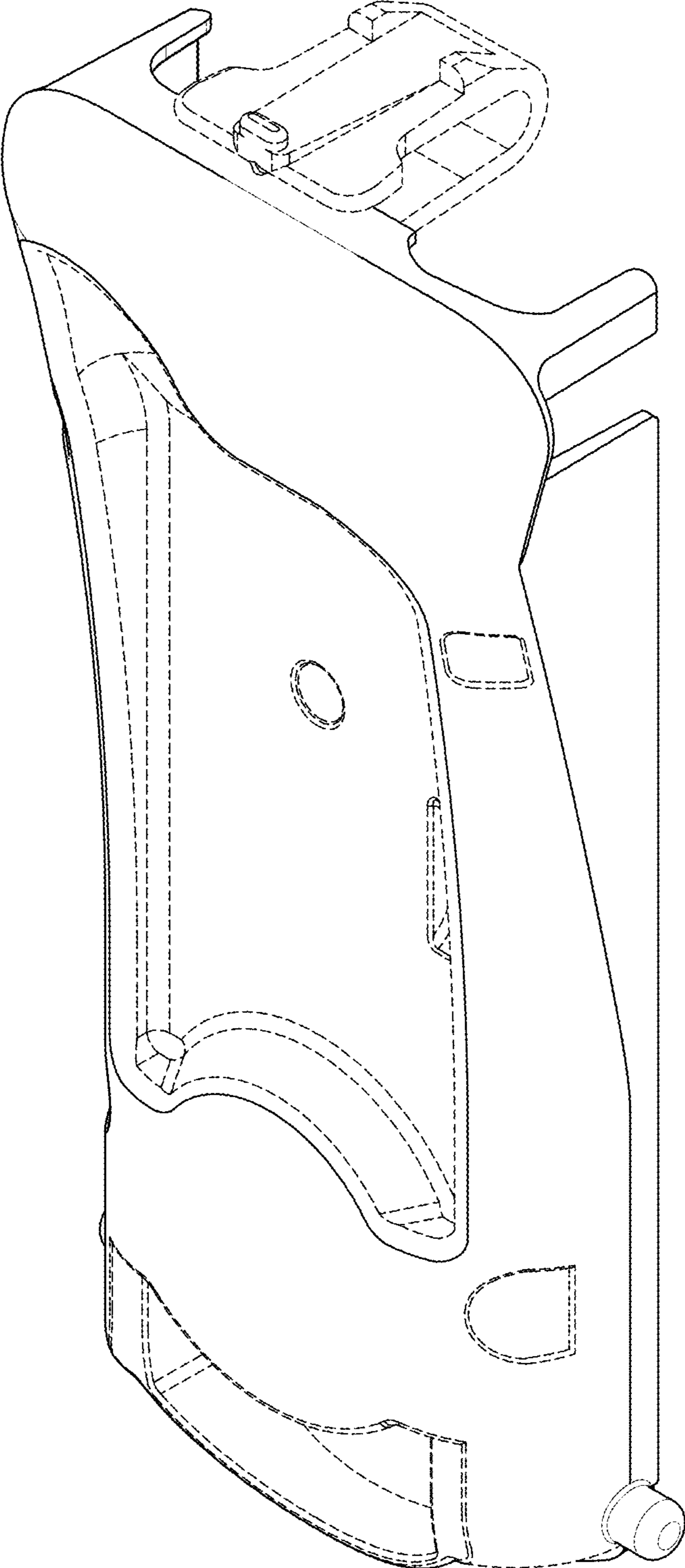


FIG. 2

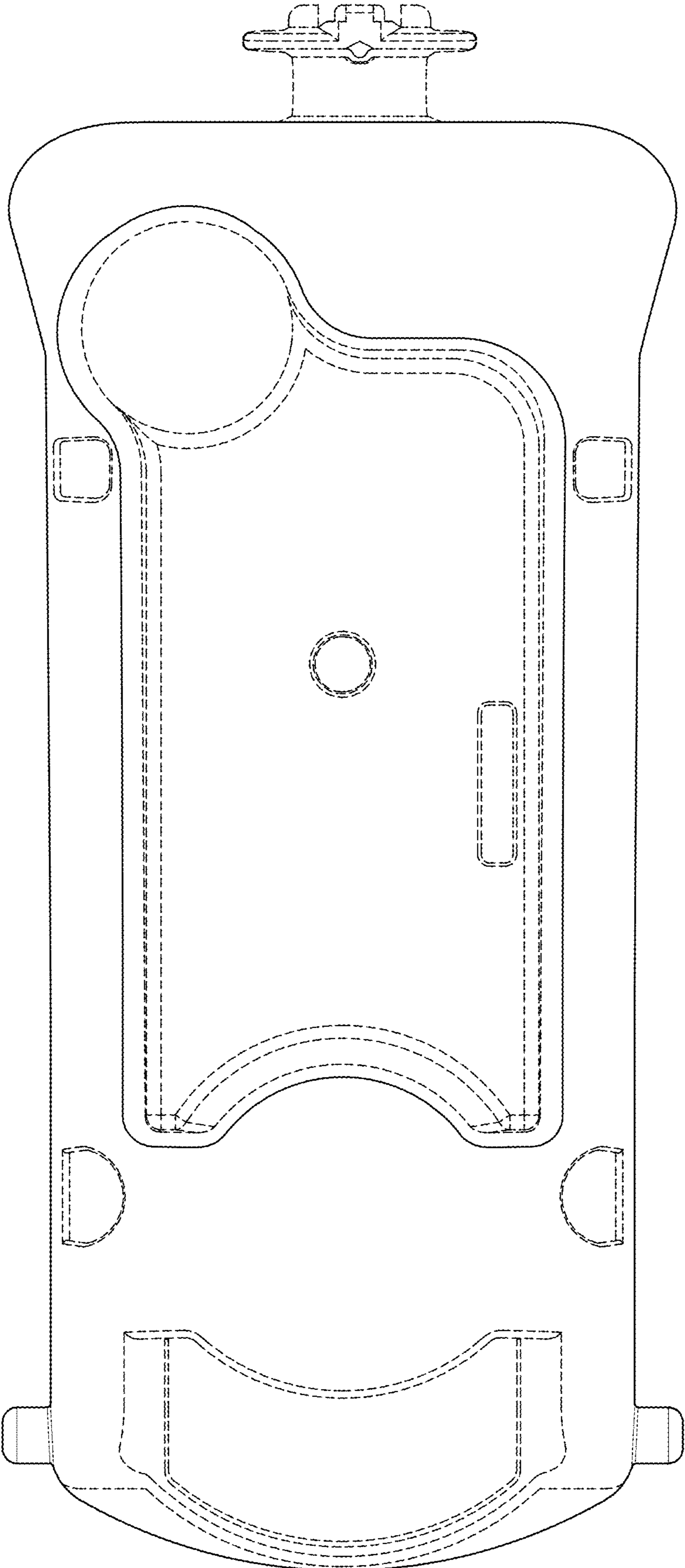


FIG. 3

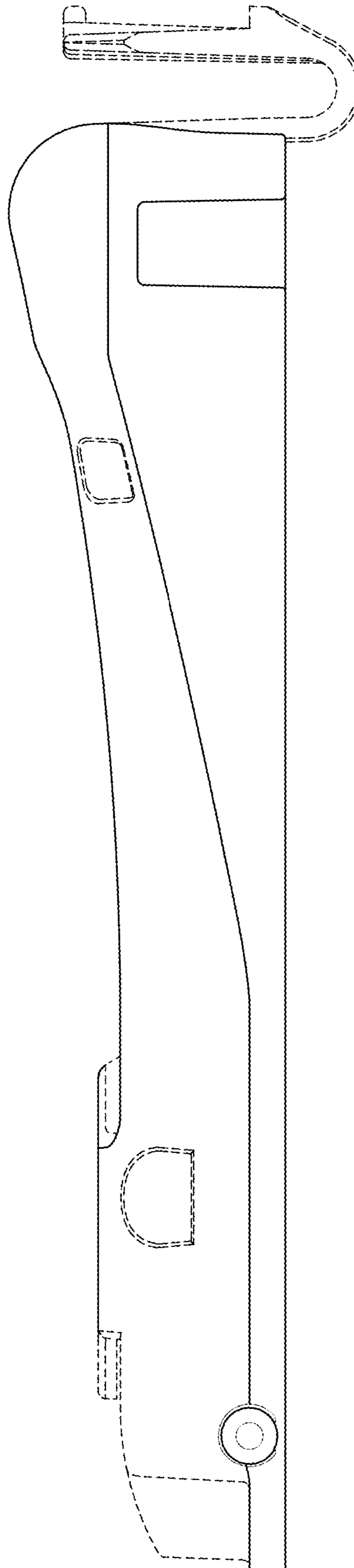


FIG. 4

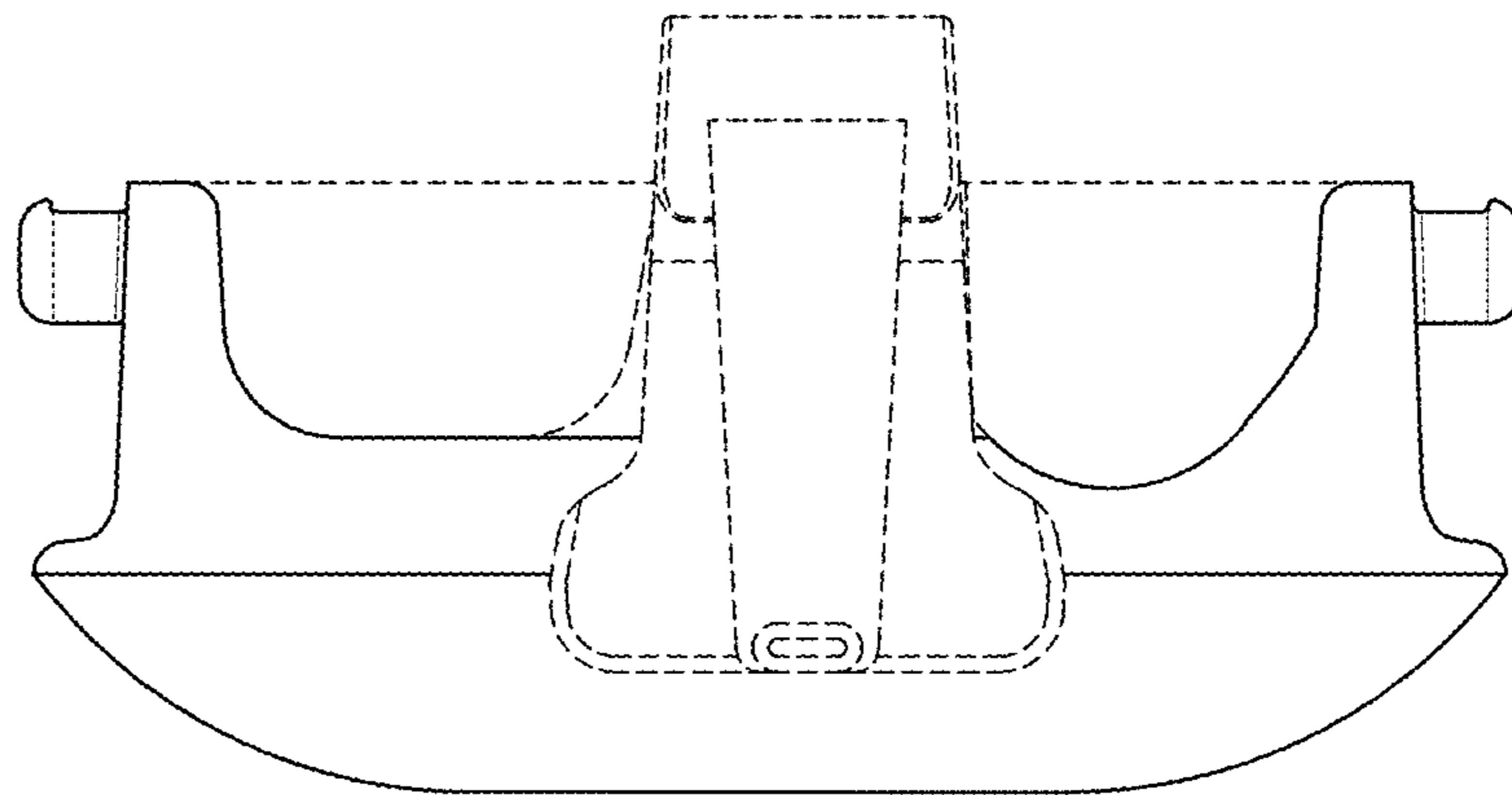


FIG. 5

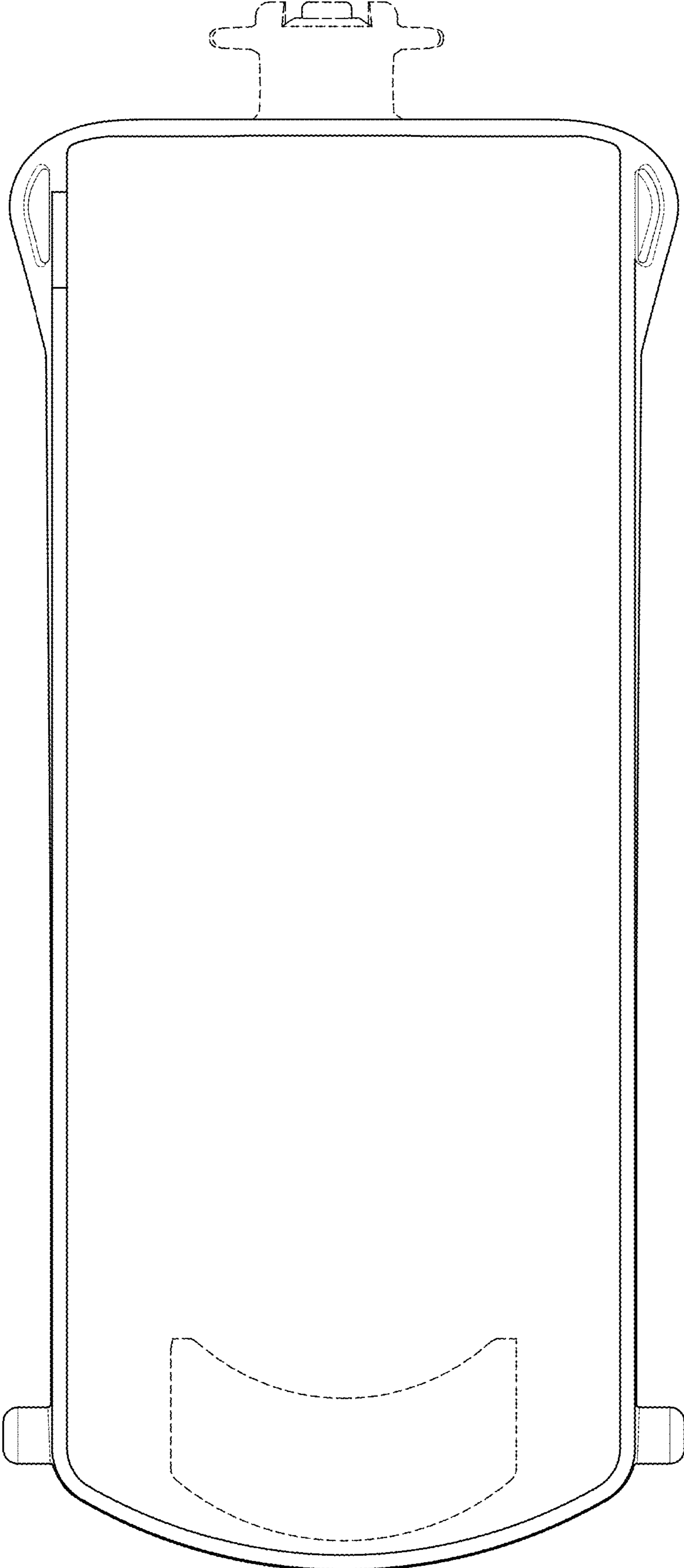


FIG. 6

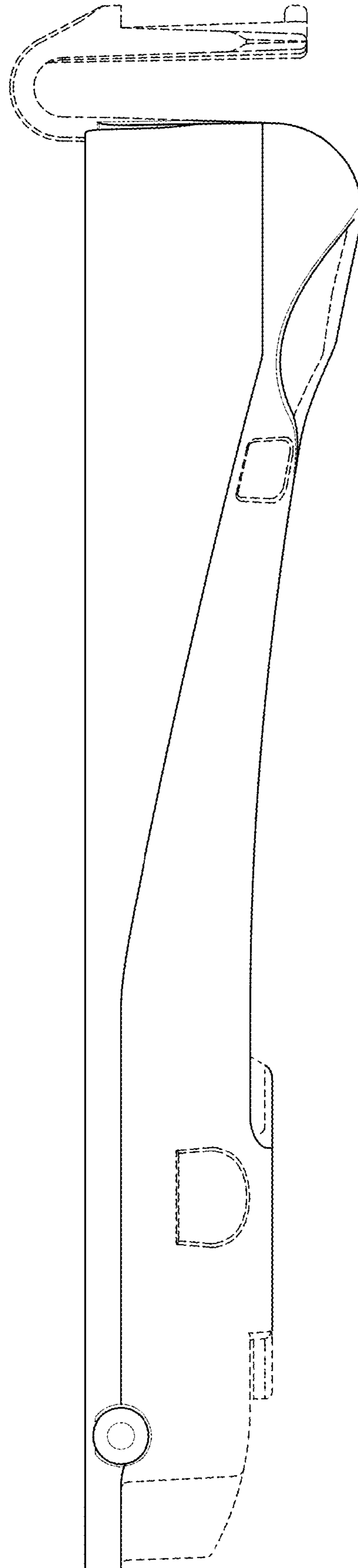


FIG. 7

