



US00D948034S

(12) **United States Design Patent** (10) **Patent No.:** **US D948,034 S**  
**Converse et al.** (45) **Date of Patent:** **\*\* Apr. 5, 2022**

- (54) **MEDICAL FLUID INJECTION DEVICE**
- (71) Applicant: **Enable Injections, Inc.**, Cincinnati, OH (US)
- (72) Inventors: **Rowan Joseph Converse**, Liberty Township, OH (US); **Joetta Renee Palmer**, Mason, OH (US); **David Stefanchik**, Morrow, OH (US)
- (73) Assignee: **Enable Injections, Inc.**, Cincinnati, OH (US)
- (\*\*) Term: **15 Years**
- (21) Appl. No.: **29/699,609**
- (22) Filed: **Jul. 26, 2019**

**Related U.S. Application Data**

- (62) Division of application No. 29/591,673, filed on Jan. 23, 2017, now Pat. No. Des. 863,546.
- (51) **LOC (13) Cl.** ..... **24-02**
- (52) **U.S. Cl.**  
USPC ..... **D24/112**
- (58) **Field of Classification Search**  
USPC ..... D24/112–114, 108, 133, 130, 127, 186; 606/181, 185; 604/264, 272, 187, 181, 604/184, 227  
CPC ..... A61M 2005/3125; A61M 5/16827; A61M 5/48; A61M 5/178; A61M 3/00; A61M 5/20; A61M 5/31; A61M 5/3146; A61M 5/3129; A61M 5/3148; A61M 5/315  
See application file for complete search history.

(56) **References Cited**

**U.S. PATENT DOCUMENTS**

- 6,074,372 A \* 6/2000 Hansen ..... A61M 5/31585 604/211
- D684,685 S \* 6/2013 Schneider ..... D24/111

- D684,686 S \* 6/2013 Cronenberg ..... D24/111
- D685,083 S \* 6/2013 Schneider ..... D24/108
- D685,084 S \* 6/2013 Guarraia ..... D24/108
- D687,140 S \* 7/2013 Guarraia ..... D24/108
- D687,141 S \* 7/2013 Schneider ..... D24/108
- D687,536 S \* 8/2013 Guarraia ..... D24/108
- D754,355 S \* 4/2016 Ganapathy ..... D24/186
- D797,923 S \* 9/2017 Pereira ..... D24/112
- D804,042 S \* 11/2017 Cohrs ..... D24/186
- 10,092,711 B2 \* 10/2018 Barere ..... A61M 5/486

\* cited by examiner

*Primary Examiner* — David G Muller

(74) *Attorney, Agent, or Firm* — Cook Alex Ltd.

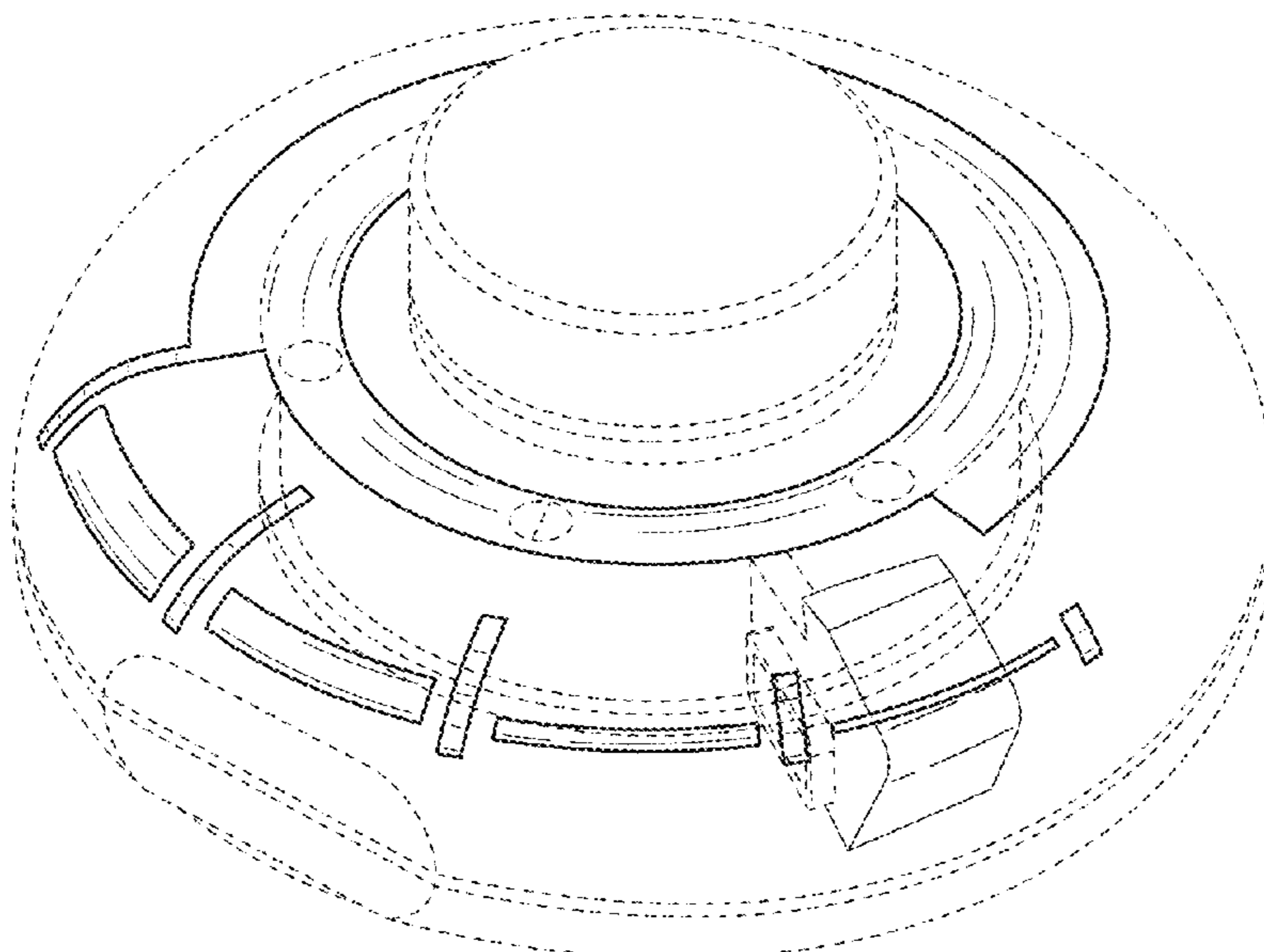
(57) **CLAIM**

The ornamental design for a medical fluid injection device, as shown and described.

**DESCRIPTION**

FIG. 1 is a perspective view of the medical fluid injection device;  
 FIG. 2 is a front elevational view of the medical fluid injection device;  
 FIG. 3 is a rear elevational view of the medical fluid injection device;  
 FIG. 4 is a left side elevational view of the medical fluid injection device;  
 FIG. 5 is a right side elevational view of the medical fluid injection device;  
 FIG. 6 is a top plan view of the medical fluid injection device;  
 FIG. 7 is a bottom plan view of the medical fluid injection device; and,  
 FIG. 8 is a perspective view of the medical fluid injection device in an alternative configuration.  
 The features shown in broken lines depict environmental structure only and form no part of the claimed design.

**1 Claim, 5 Drawing Sheets**



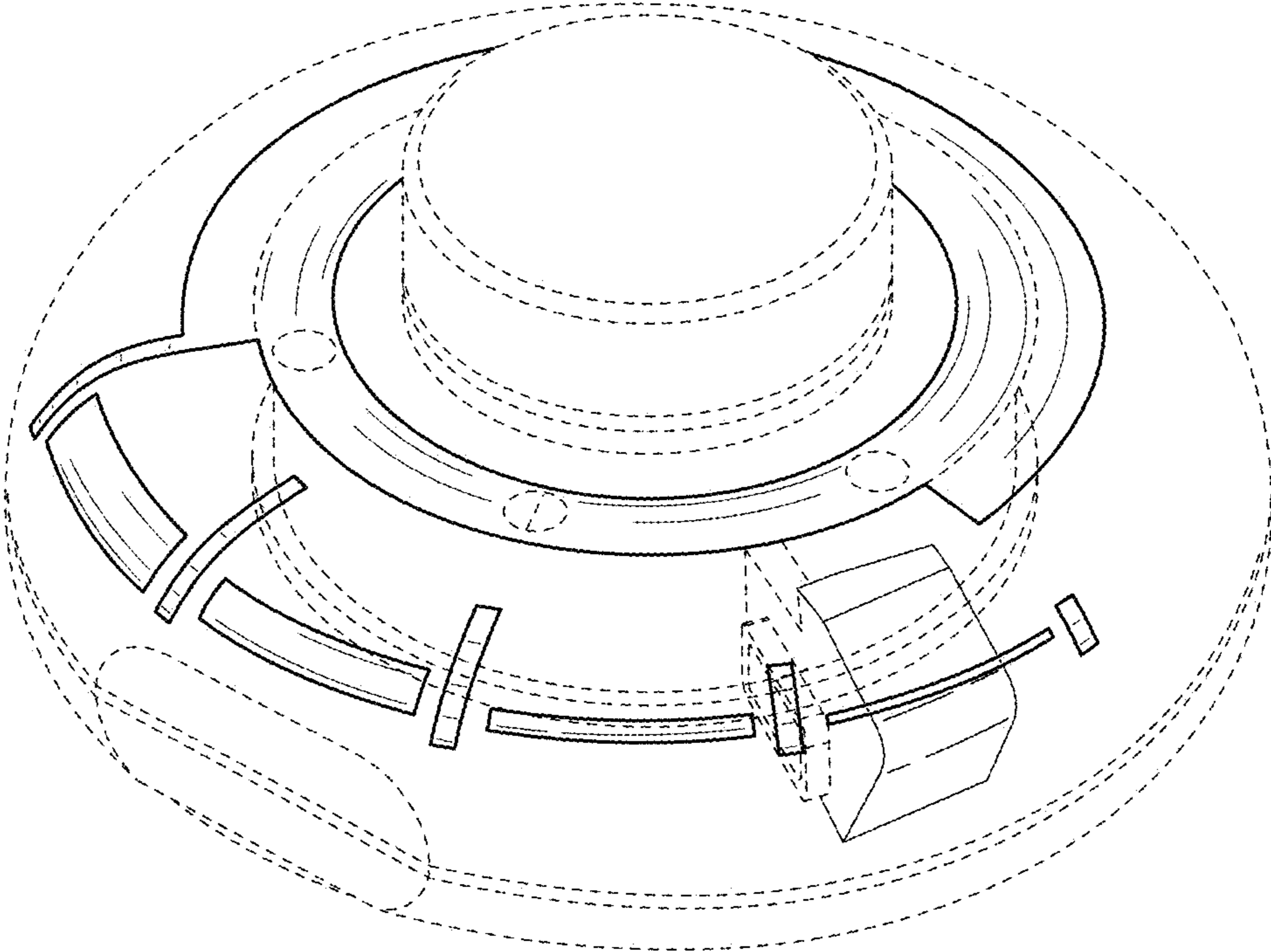


FIG. 1

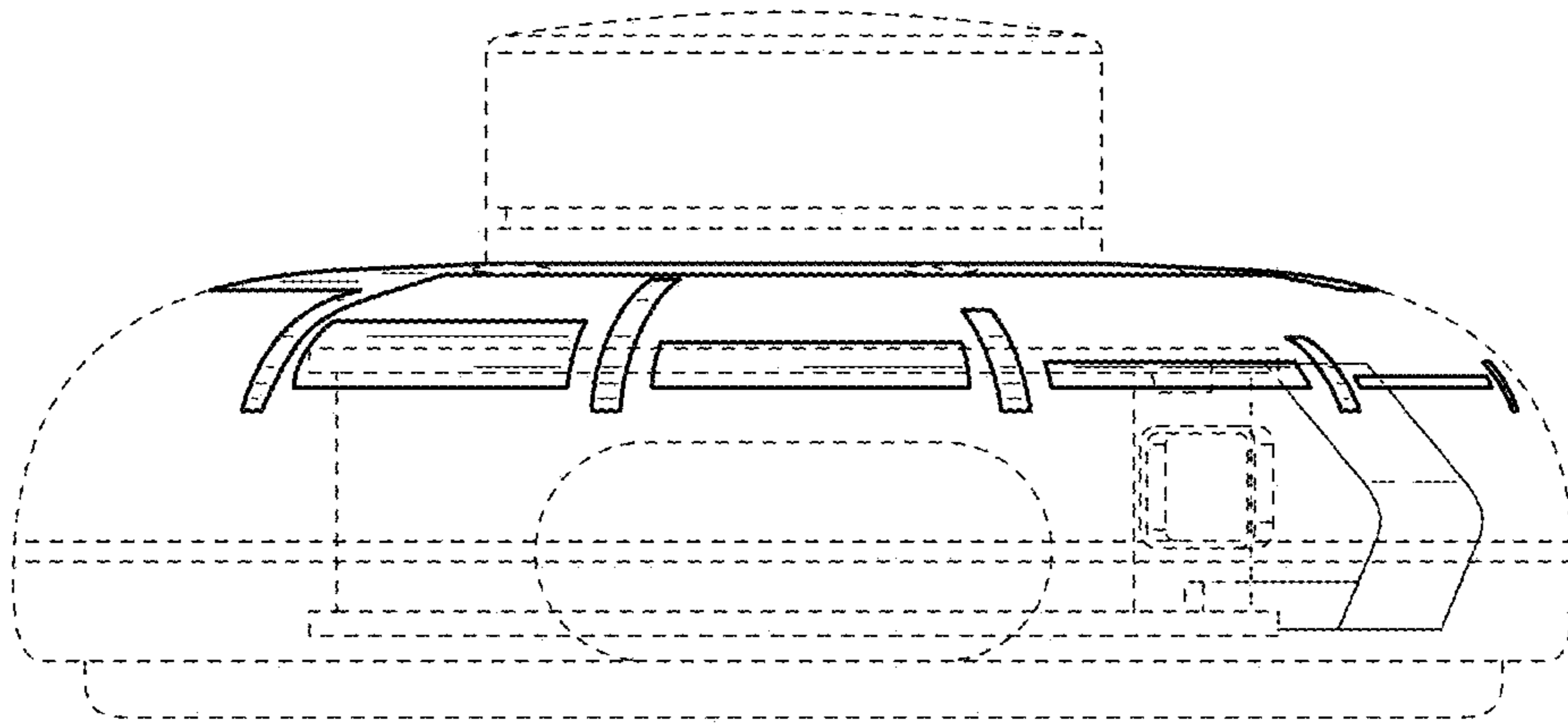


FIG. 2

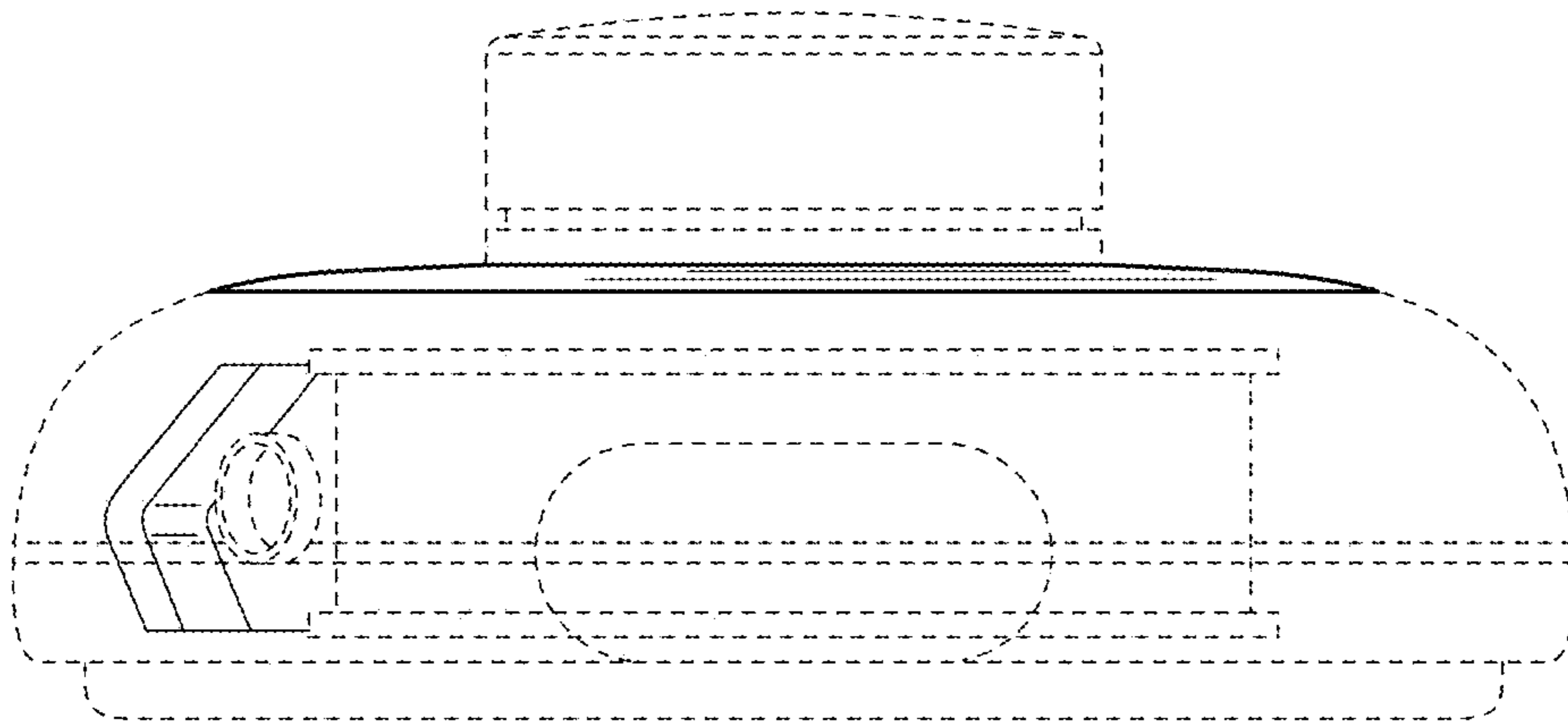


FIG. 3

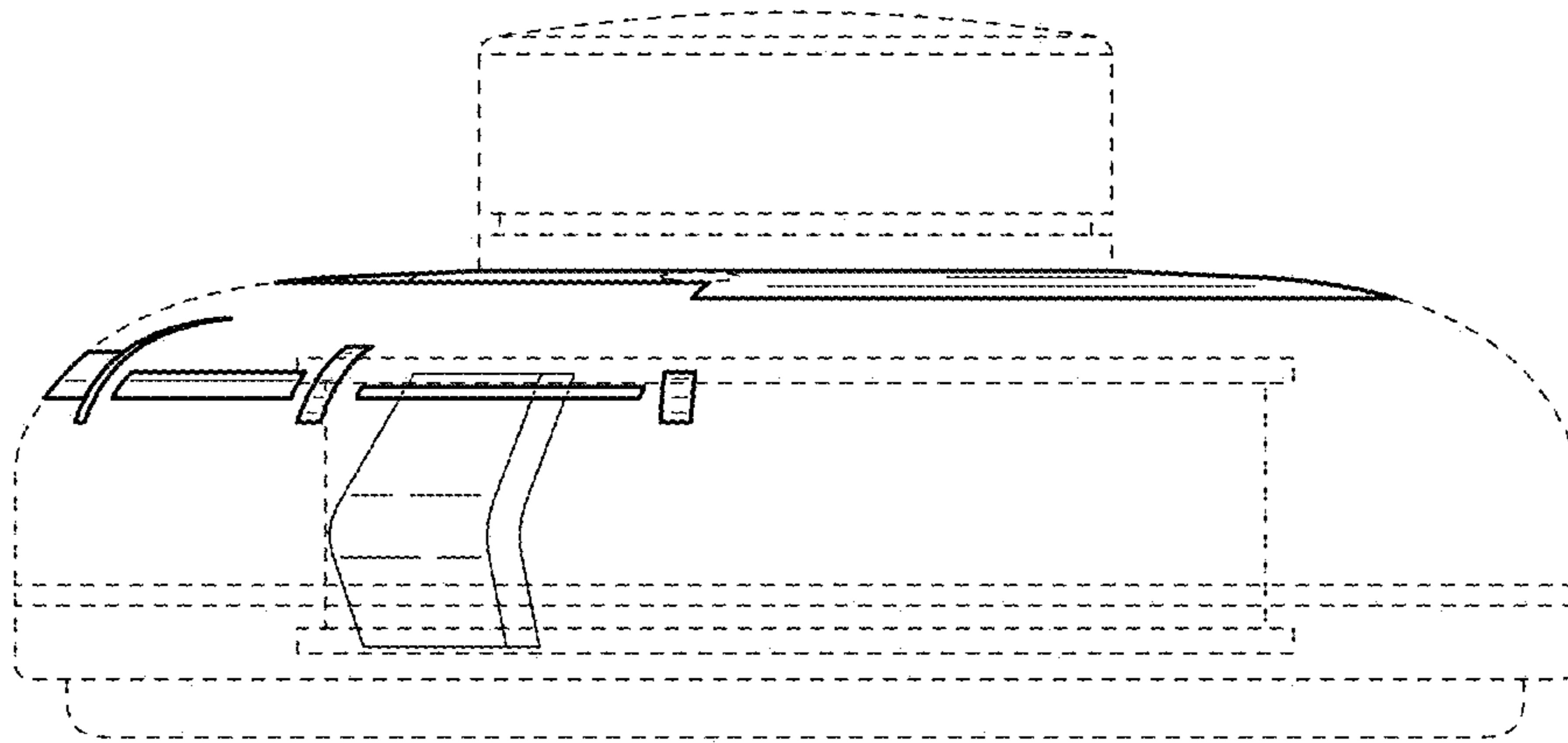


FIG. 4

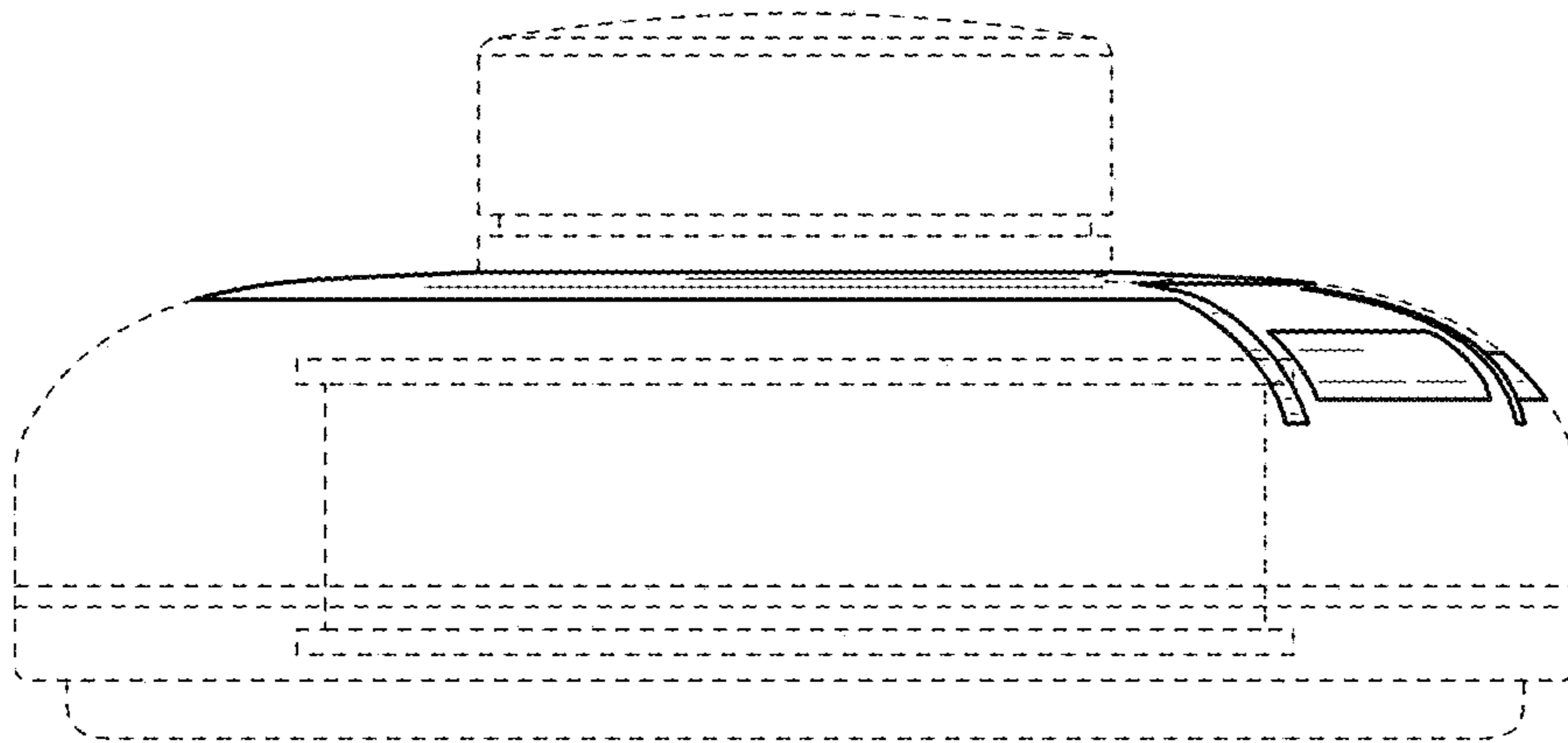


FIG. 5

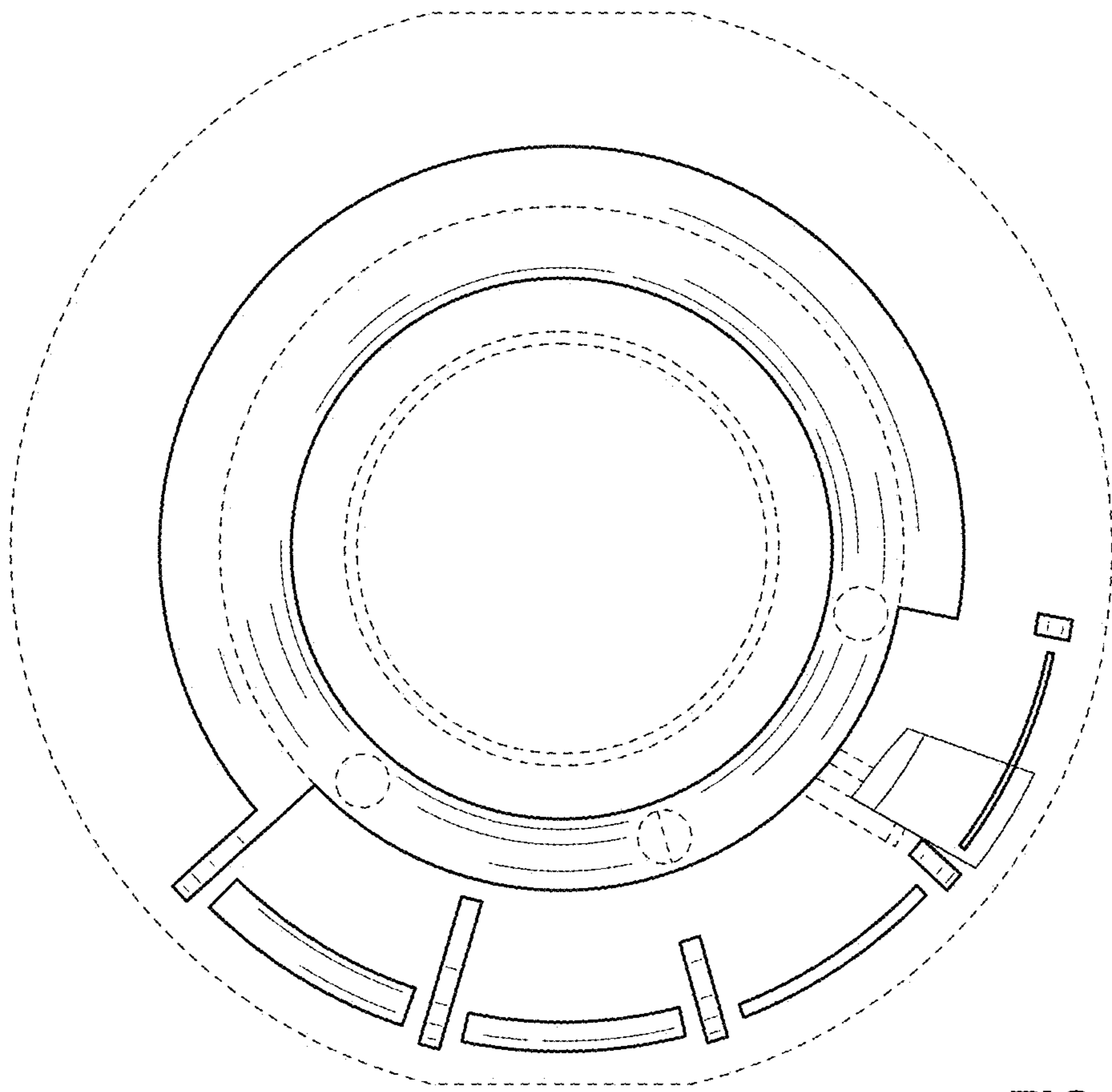


FIG. 6

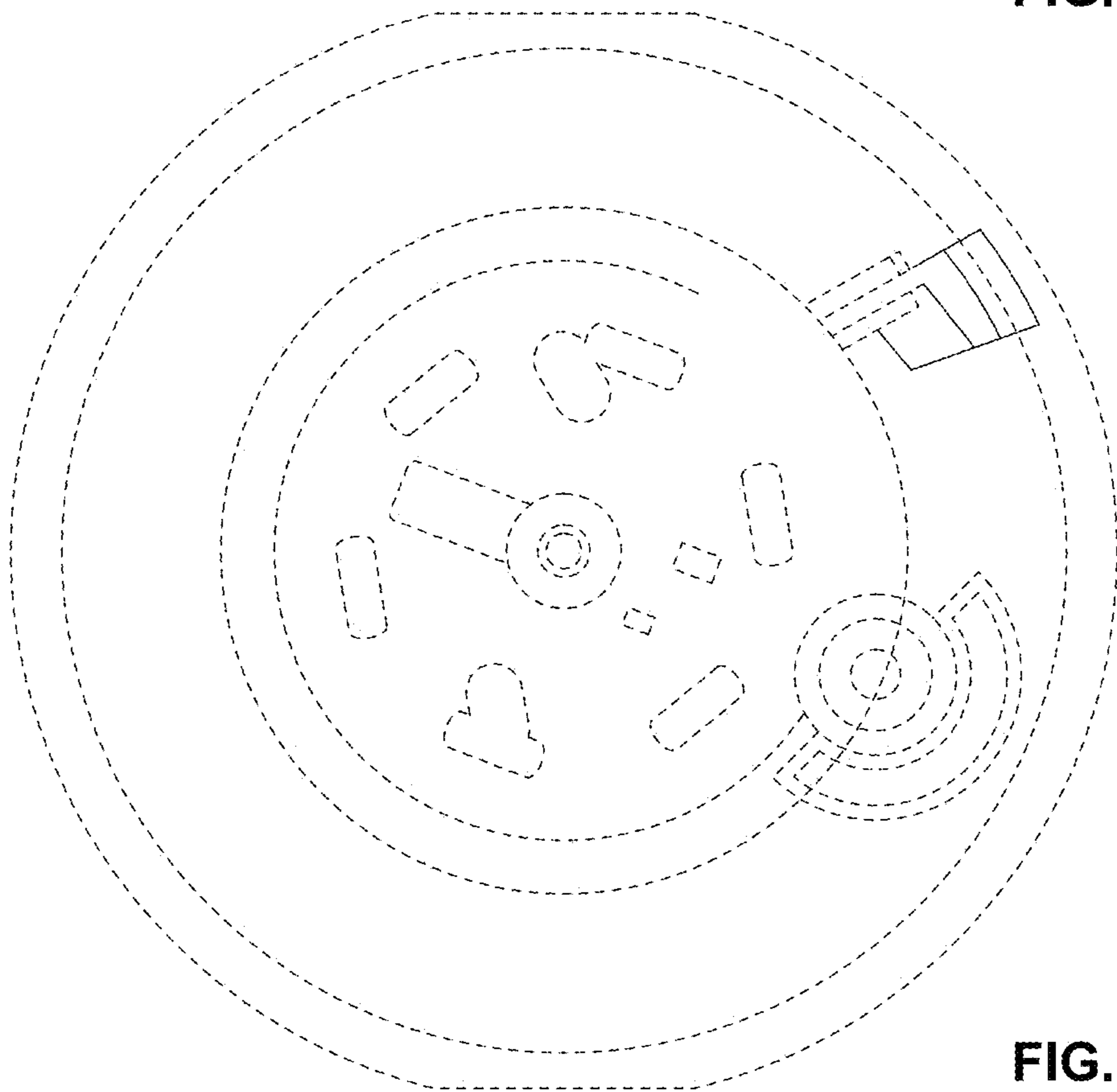


FIG. 7

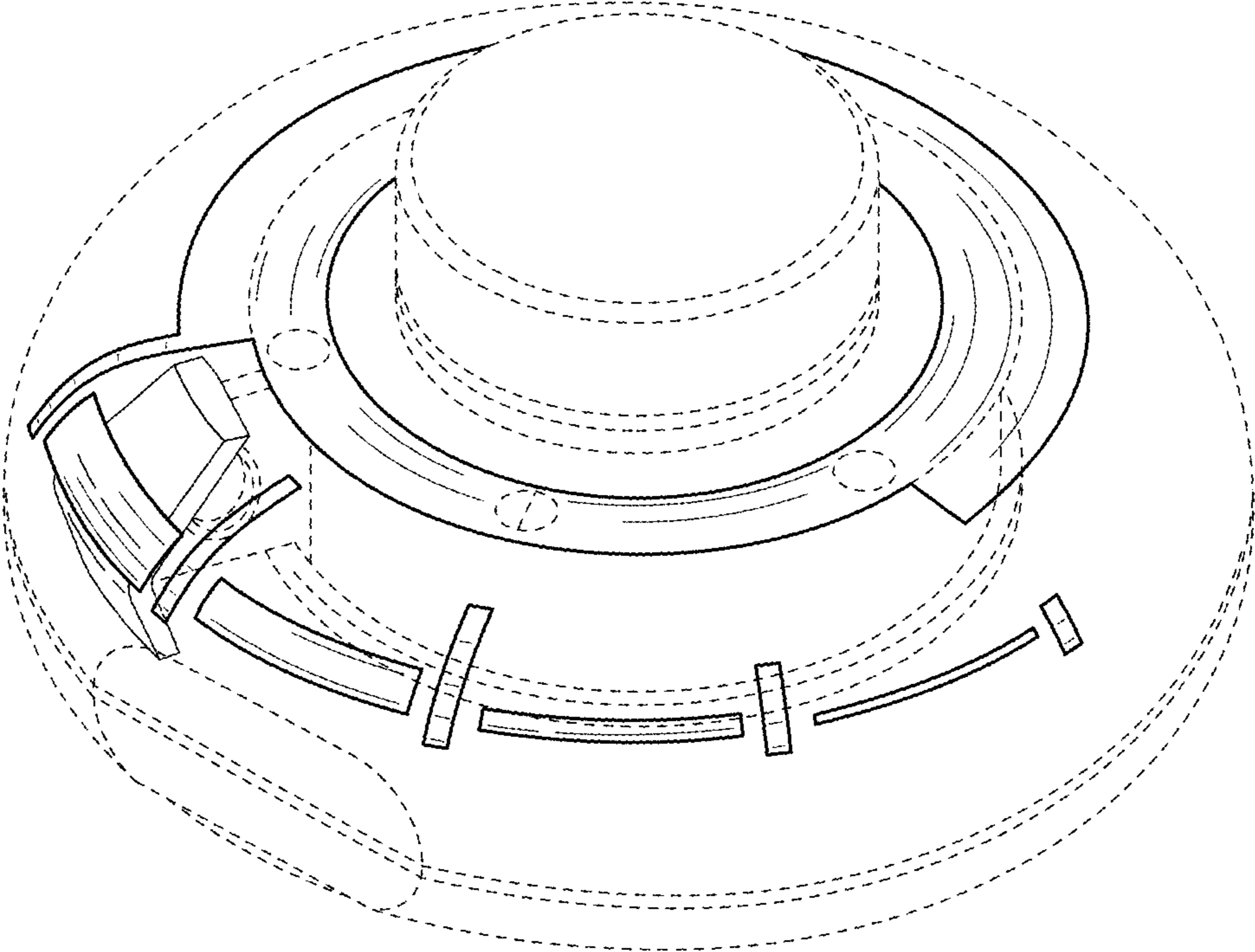


FIG. 8