



US00D948033S

(12) **United States Design Patent**
Fang

(10) **Patent No.:** **US D948,033 S**

(45) **Date of Patent:** **** Apr. 5, 2022**

(54) **ORAL IRRIGATOR**

D745,154 S * 12/2015 Pace D24/146
D769,523 S * 10/2016 Fan D28/35
D778,433 S * 2/2017 Li D24/111

(Continued)

(71) Applicant: **SHENZHEN FORTUNECOME TECHNOLOGY CO., LTD.**, Shenzhen (CN)

FOREIGN PATENT DOCUMENTS

(72) Inventor: **Xiaolin Fang**, Shenzhen (CN)

CN 303758068 * 7/2016
JP D1220098 * 10/2004
JP D1591888 * 11/2017

(73) Assignee: **SHENZHEN FORTUNECOME TECHNOLOGY CO., LTD.**, Shenzhen (CN)

OTHER PUBLICATIONS

(**) Term: **15 Years**

[VVHU New Portable Cordless Water Flosser for Teeth, 4 Cleaning Modes,Dental Flosser Oral Irrigator IPX7 Waterproof,USB Magnetic Charging,with 6 Interchangeable Tips for Home, Travel(Pink)], Amazon.com, Date First Available: Jun. 28, 2020 [online], Customer Review Oldest Date: Jul. 25, 2020 [online], site visited: [Nov. 16, 2021], URL: <https://www.amazon.ca/dp/B087G3PPSV>. (Year: 2020).*

(Continued)

(21) Appl. No.: **29/740,843**

(22) Filed: **Jul. 7, 2020**

Primary Examiner — Jonathan J Han
Assistant Examiner — Amanda J Berlinski

(30) **Foreign Application Priority Data**

Feb. 27, 2020 (CN) 202030062490.4

(51) **LOC (13) Cl.** **28-03**

(52) **U.S. Cl.**
USPC **D24/111**

(58) **Field of Classification Search**
USPC D24/108, 111–115, 152, 176;
D4/100–102, 110, 111, 138
CPC A61C 17/0202; A61C 17/028; A61C 17/0205; A61C 1/0092; A61C 17/02
See application file for complete search history.

(57) **CLAIM**

The ornamental design for an oral irrigator, as shown and described.

DESCRIPTION

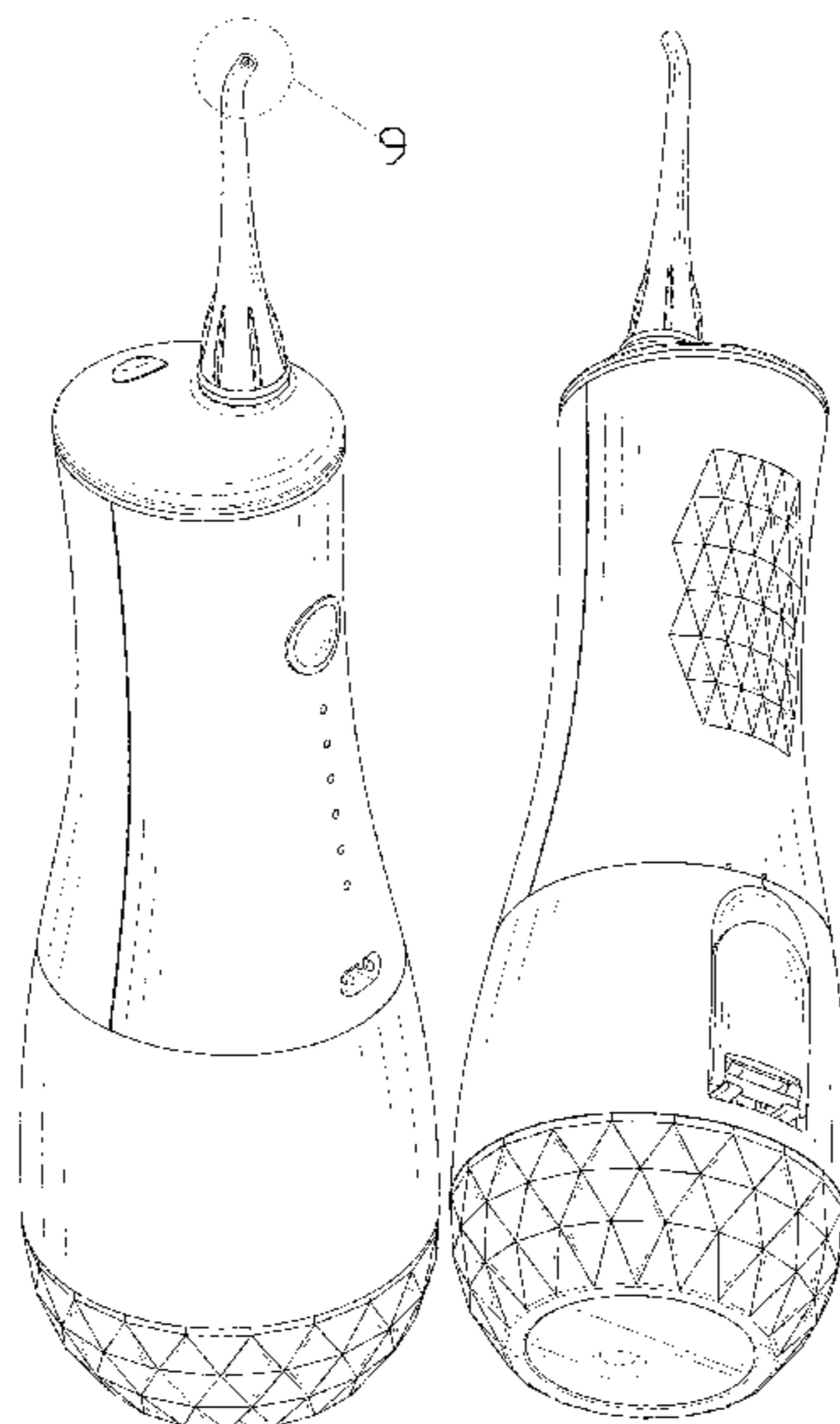
FIG. 1 is a perspective view of an oral irrigator showing my new design;
FIG. 2 is another perspective view thereof;
FIG. 3 is a front elevational view thereof;
FIG. 4 is a rear elevational view thereof;
FIG. 5 is a left side elevational view thereof;
FIG. 6 is a right side elevational view thereof;
FIG. 7 is a top plan view thereof;
FIG. 8 is a bottom plan view thereof; and,
FIG. 9 is an enlarged view of portion 9 shown in FIG. 1.
The broken lines in the drawings depict portions of the oral irrigator that form no part of the claimed design.

(56) **References Cited**

U.S. PATENT DOCUMENTS

D515,215 S * 2/2006 Wang D24/176
D548,334 S * 8/2007 Izumi D24/111
8,448,284 B2 * 5/2013 Gross A46B 5/02
15/143.1
D688,874 S * 9/2013 Domoto D4/101
D711,542 S * 8/2014 Pierson A61C 17/0211
D24/176
D718,057 S * 11/2014 Massee D4/101

1 Claim, 9 Drawing Sheets



(56)

References Cited

U.S. PATENT DOCUMENTS

D806,228 S * 12/2017 Yan D24/111
 D825,188 S * 8/2018 Luo D4/101
 D846,882 S * 4/2019 Fang D4/101
 D854,687 S * 7/2019 Classen D24/152
 D861,351 S * 10/2019 Albay D4/101
 D861,352 S * 10/2019 Xu D4/101
 D864,575 S * 10/2019 Meng D4/101
 D869,855 S * 12/2019 Khayat D4/101
 D881,583 S * 4/2020 Huang D4/101
 D884,354 S * 5/2020 Albay D4/101
 D884,893 S * 5/2020 Ma D24/152
 D888,242 S * 6/2020 Bajwa D24/154
 D888,935 S * 6/2020 Fang A46B 5/02
 D24/111
 D891,115 S * 7/2020 Damavandi D4/101
 D893,882 S * 8/2020 Dong D4/102
 D895,296 S * 9/2020 Hu D4/101
 D902,483 S * 11/2020 Fan D28/35
 D904,032 S * 12/2020 Zeng D4/100
 D907,195 S * 1/2021 Li D24/111
 D907,198 S * 1/2021 Bessho D24/111
 10,923,870 B2 * 2/2021 Hoshino H02J 7/0045
 D916,288 S * 4/2021 Hansen D24/152
 D922,565 S * 6/2021 Wang D24/111

D929,575 S * 8/2021 Liu D24/111
 D930,987 S * 9/2021 Zeng D4/100
 2016/0151133 A1 * 6/2016 Luetgen A61C 17/0202
 433/80
 2017/0318951 A1 * 11/2017 Taghvai A46B 9/04
 2019/0358006 A1 * 11/2019 Arias Haber A61C 1/0092
 2020/0229906 A1 * 7/2020 Taniguchi A61C 17/0211
 2021/0121274 A1 * 4/2021 Yin A61C 15/00
 2021/0220096 A1 * 7/2021 Li A61C 17/16

OTHER PUBLICATIONS

[Panasonic Cordless Ultrasonic Oral Irrigator—Portable and Rechargeable—IPX7 Waterproof For Travel And Home—EW1511W (White)], Amazon.com, Date First Available: Jun. 30, 2019 [online], Customer Review Oldest Date: Jul. 25, 2020 [online], site visited: [Nov. 16, 2021], URL: <<https://www.amazon.ca/dp/B07R7RJMKP>>. (Year: 2019).*

[BURST Electric Toothbrush with Charcoal Sonic Toothbrush Head, Deep Clean, Fresh Breath & Healthier Smile, 3 Modes—Whitening, Sensitive, Massage, Black [Packaging May Vary], Amazon.com, Date First Available: Aug. 23, 2019 [online], Customer Review Oldest Date: Sep. 27, 2019 [online], site visited: [Nov. 16, 2021], URL: <<https://www.amazon.com/dp/B07WWJ8YVG>>. (Year: 2019).*

* cited by examiner

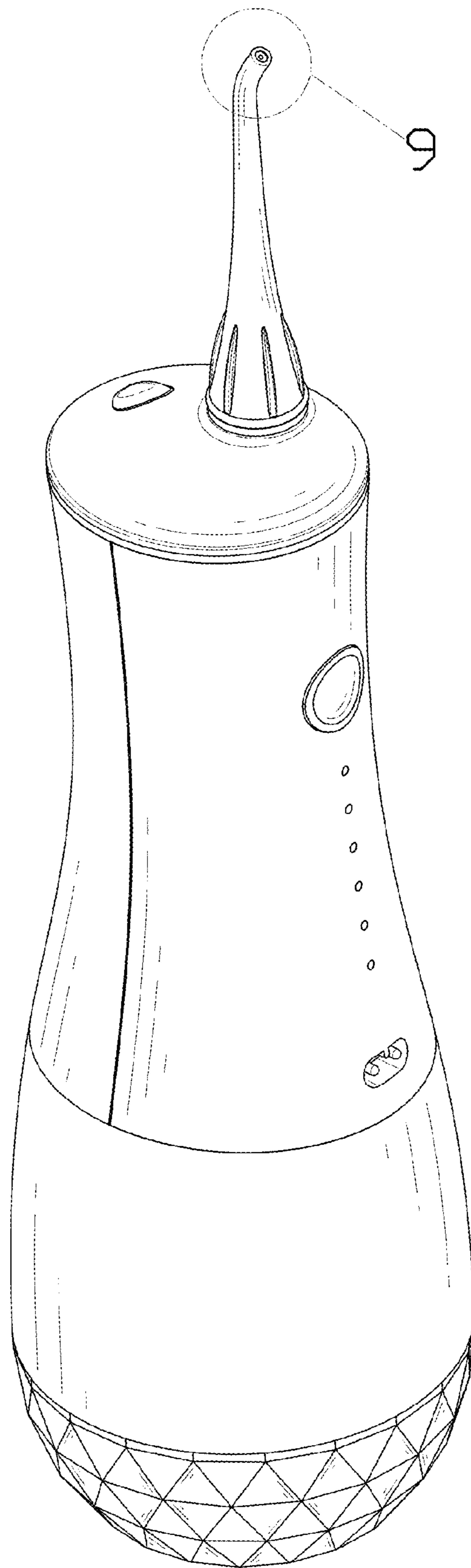


FIG. 1

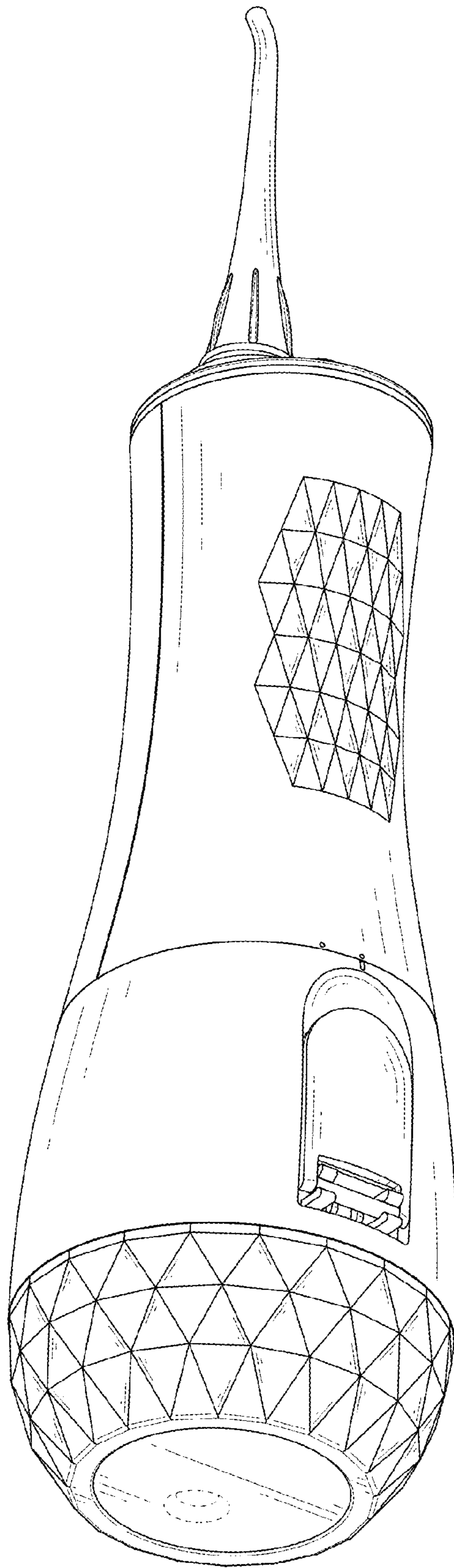


FIG. 2

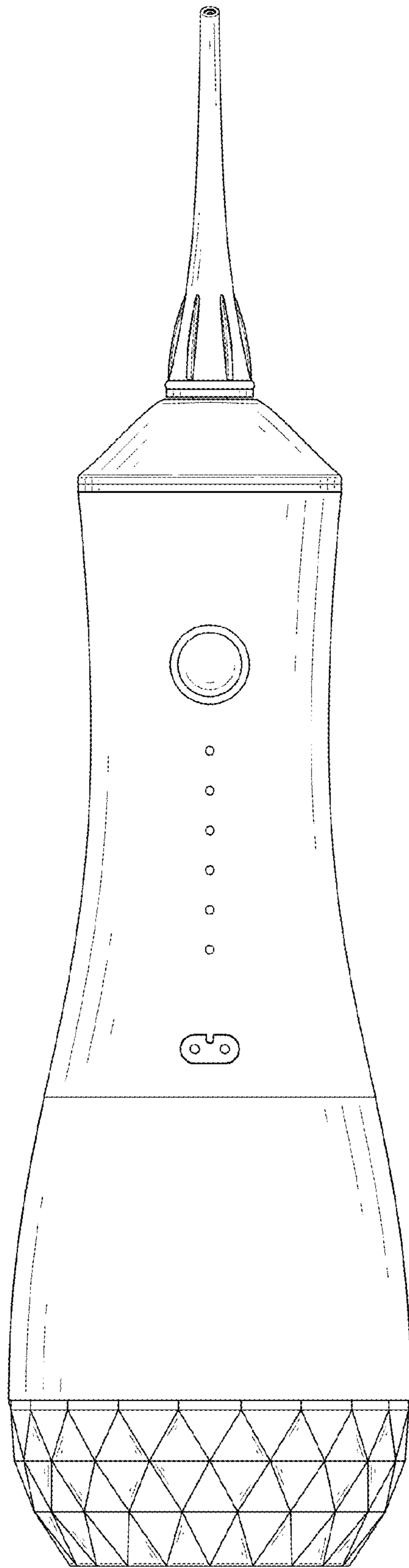


FIG. 3

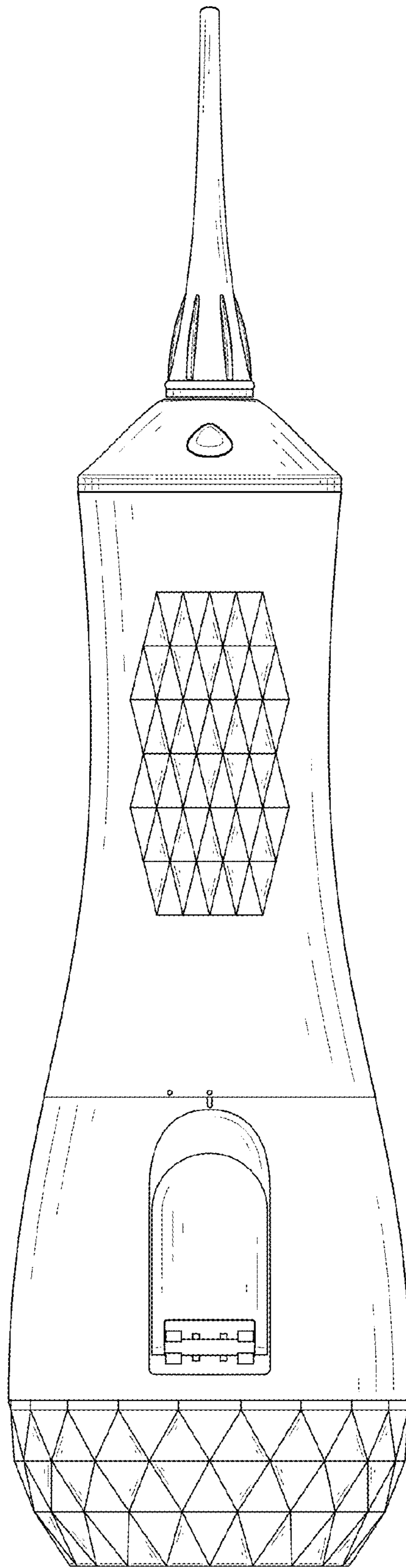


FIG. 4

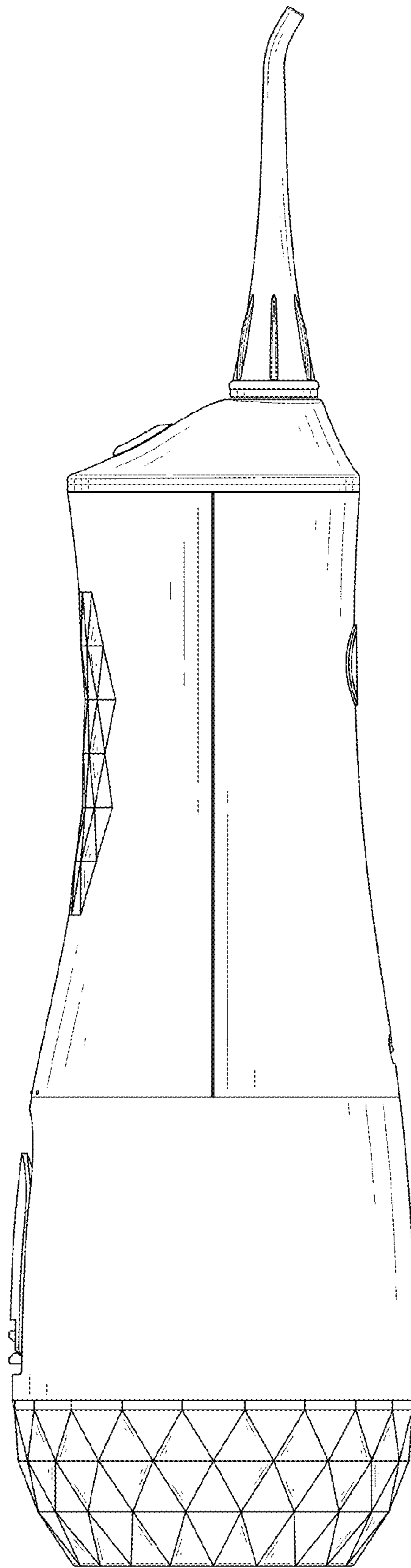


FIG. 5

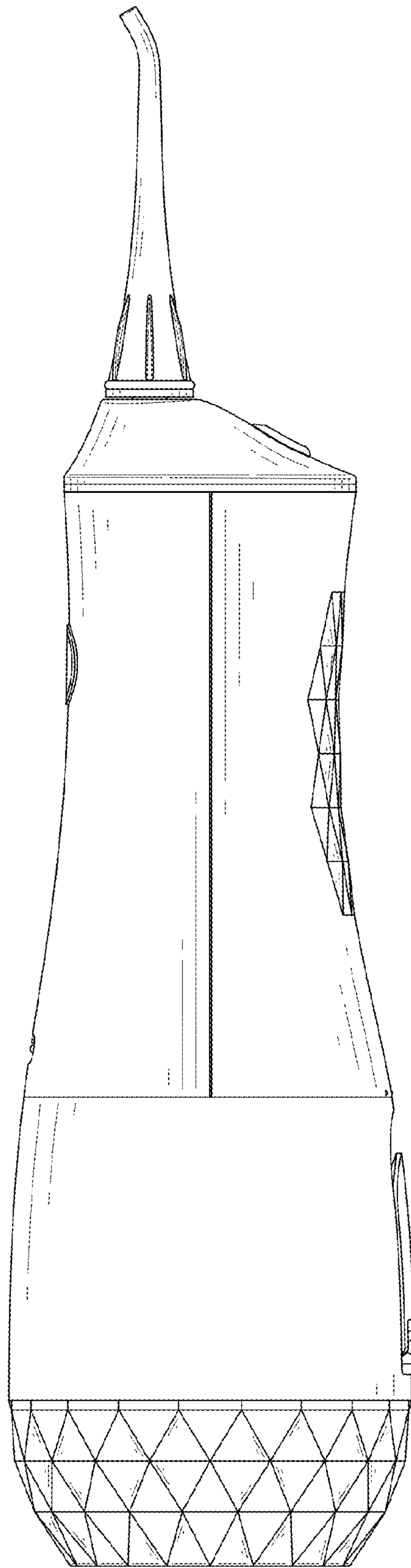


FIG. 6

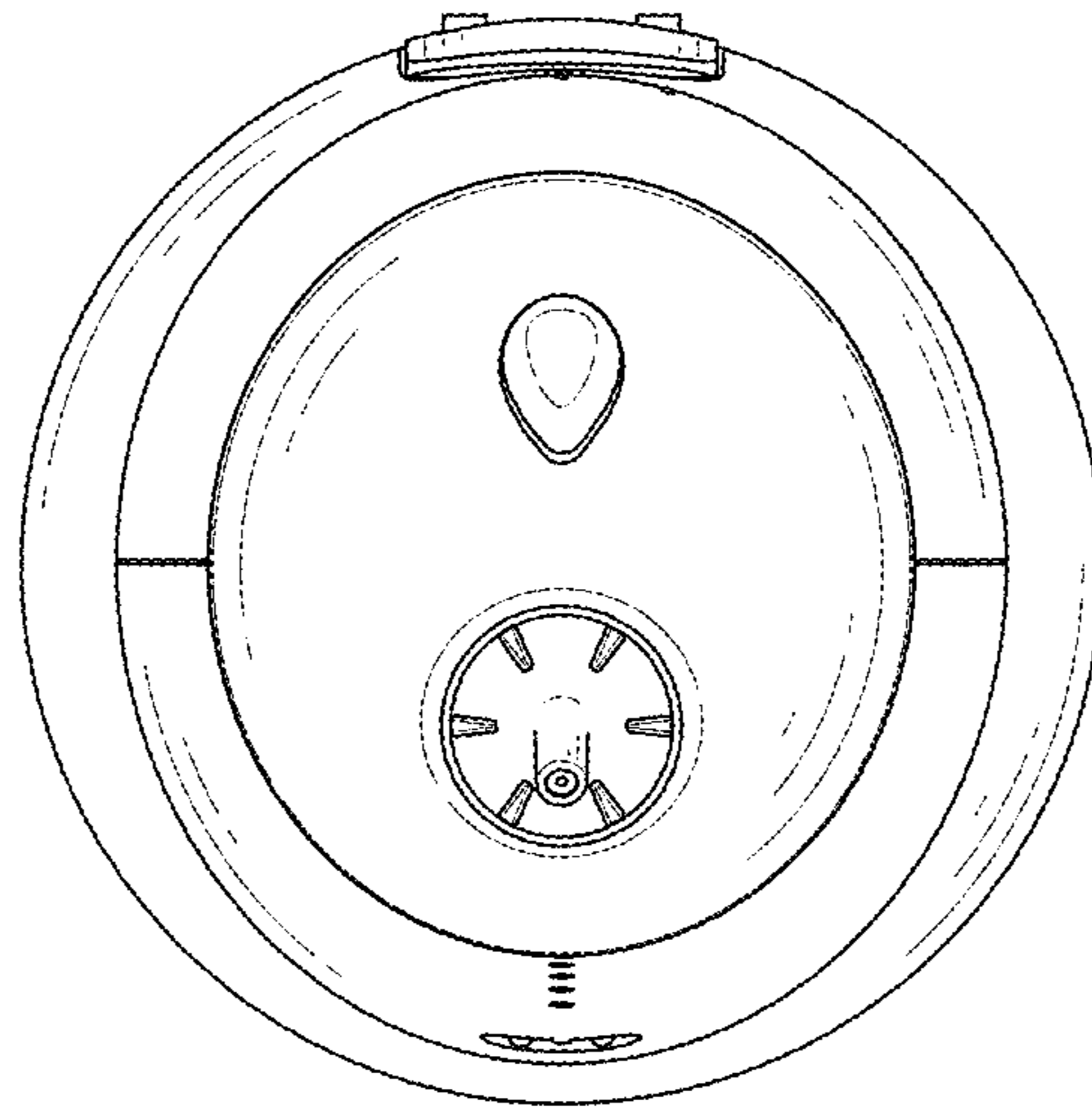


FIG. 7

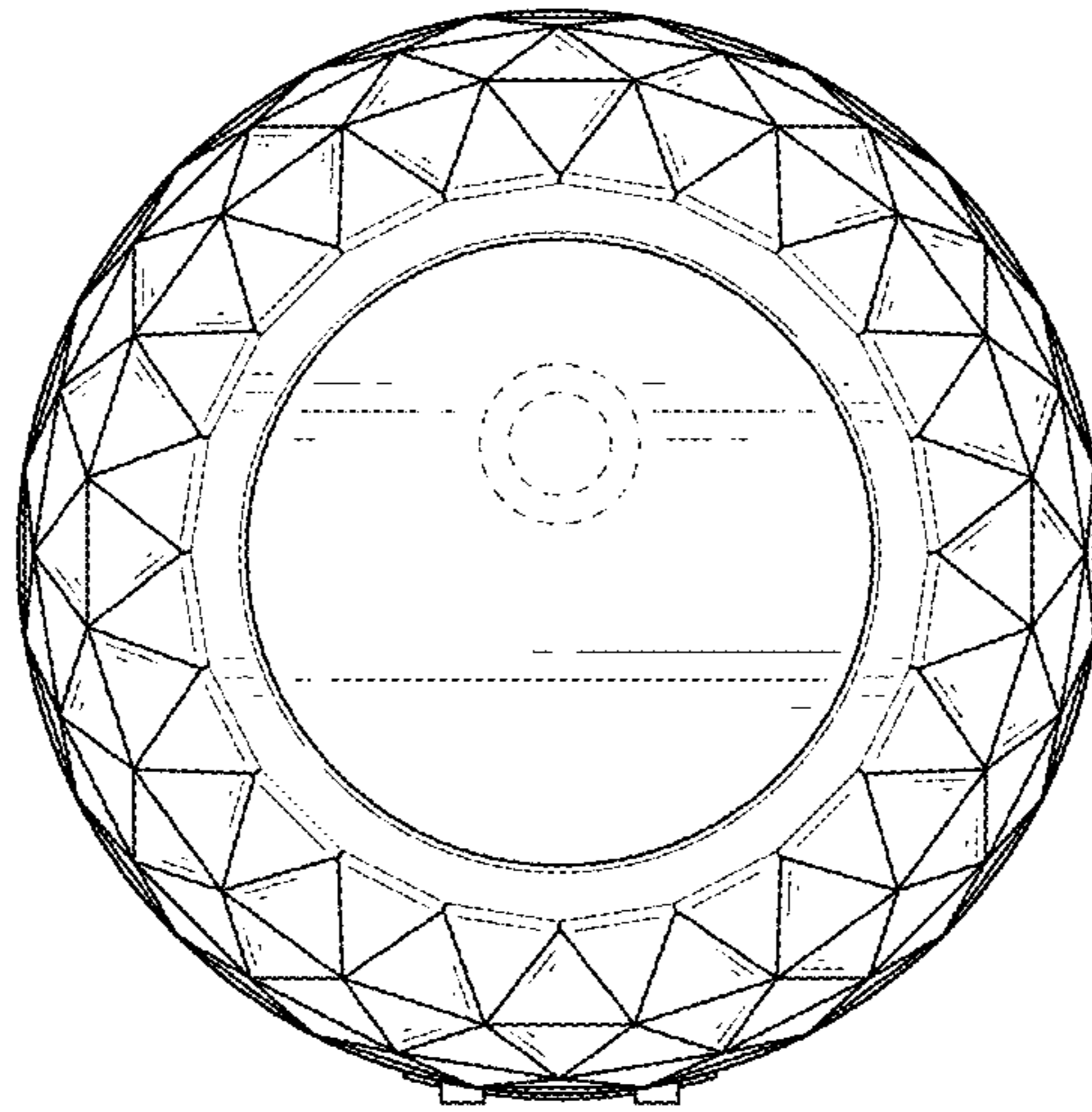


FIG. 8

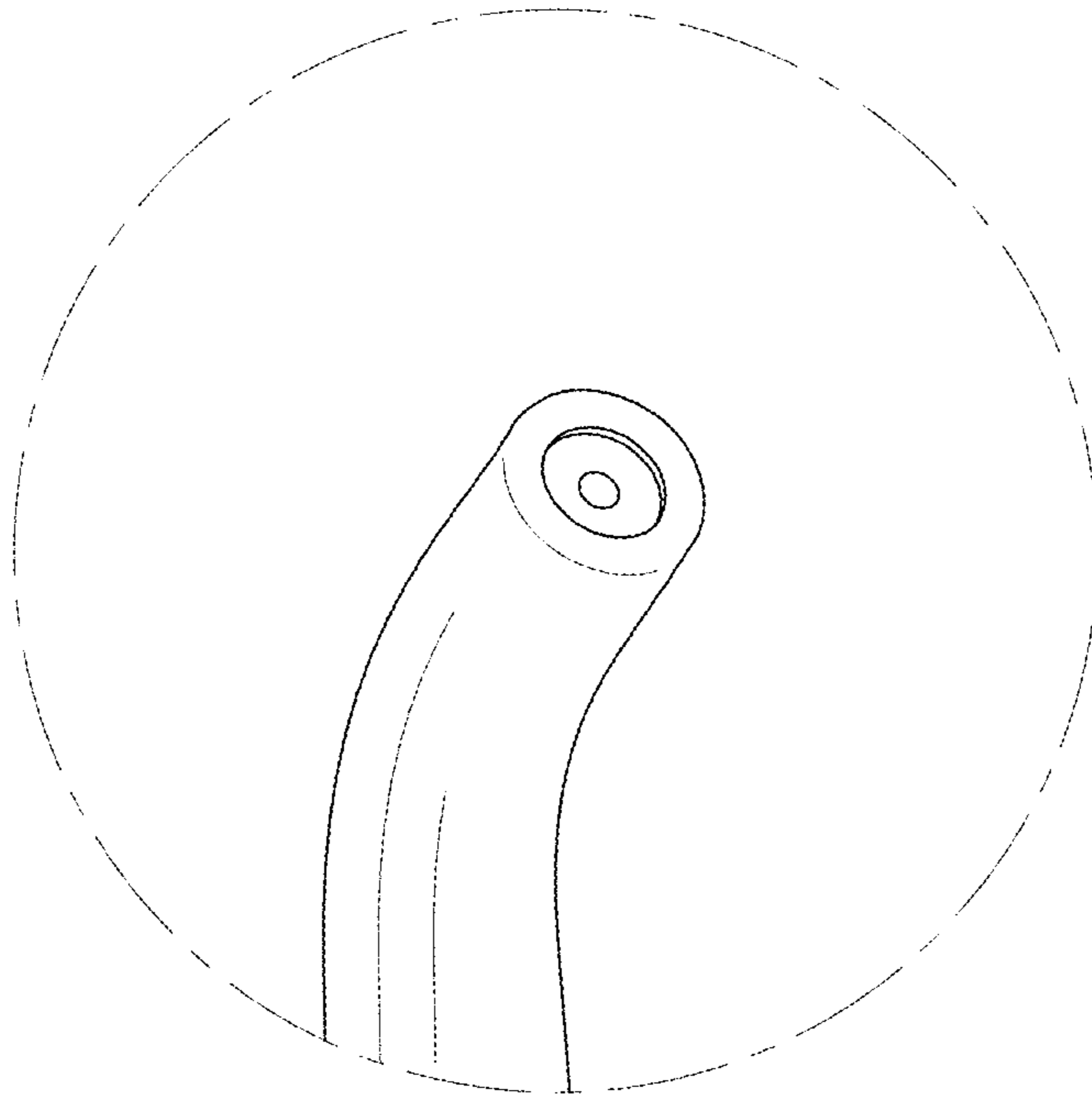


FIG. 9