



US00D948031S

(12) **United States Design Patent** (10) **Patent No.:** **US D948,031 S**
Senff et al. (45) **Date of Patent:** **** *Apr. 5, 2022**

(54) **WATER FLOSSER**
(71) Applicant: **WATER PIK, INC.**, Fort Collins, CO (US)
(72) Inventors: **Oscar C. Senff**, Broomfield, CO (US); **Jeffrey Ladwig**, Seattle, WA (US); **Adam Weisgerber**, Shoreline, WA (US)
(73) Assignee: **WATER PIK, INC.**, Fort Collins, CO (US)
(*) Notice: This patent is subject to a terminal disclaimer.
(**) Term: **15 Years**
(21) Appl. No.: **29/731,002**
(22) Filed: **Apr. 10, 2020**
(51) **LOC (13) Cl.** **24-02**
(52) **U.S. Cl.**
USPC **D24/111**
(58) **Field of Classification Search**
USPC D24/111, 108, 112-115, 117, 152, 176; D4/100, 101
CPC ... A61C 15/046; A61C 15/047; A61C 15/048; A61C 17/00; A61C 17/005; A61C 17/02; A61C 17/0202; A61C 17/0205; A61C 17/0211; A61C 17/16; A61C 17/22; A61C 17/222; A61C 17/225; A61C 17/227; A61C 17/28; A61C 17/32; A61C 17/34; A61C 17/36
See application file for complete search history.

D718,855 S 12/2014 Kim et al.
D725,770 S 3/2015 Kim et al.
D740,936 S 10/2015 Kim et al.
D782,657 S 3/2017 Williams
D783,810 S 4/2017 Kim et al.
D786,422 S 5/2017 Au et al.

(Continued)

FOREIGN PATENT DOCUMENTS

AU 202011274 4/2020
CN 004364990-0001 10/2017

(Continued)

OTHER PUBLICATIONS

Waterpik Ion Water Flosser WF-11, White by Waterpik. Walmart.com. Oldest review date: Jan. 17, 2021. Retrieval date: Apr. 30, 2021. Retrieved from internet: <https://www.walmart.com/ip/Waterpik-Ion-Water-Flosser-WF-11-White/276677268> (Year: 2021).*

(Continued)

Primary Examiner — Lilyana Bekic
Assistant Examiner — Lee D. Starr

(74) *Attorney, Agent, or Firm* — Dorsey & Whitney LLP

(57) **CLAIM**

We claim the ornamental design for a water flosser, as shown and described.

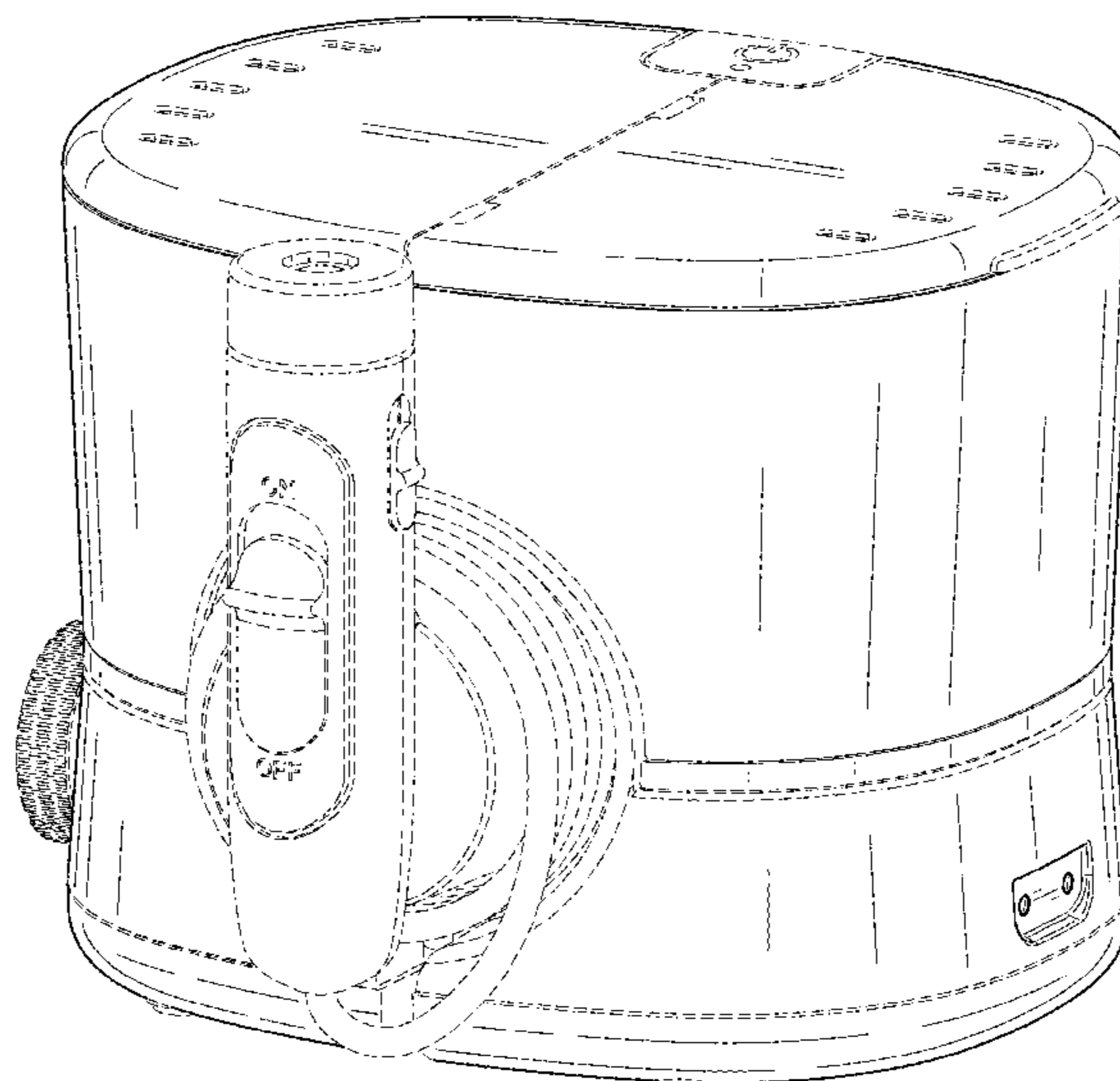
DESCRIPTION

FIG. 1 is a front isometric view of a water flosser.
FIG. 2 is a front elevation view thereof.
FIG. 3 is a rear elevation view thereof.
FIG. 4 is a left side elevation view thereof.
FIG. 5 is a right side elevation view thereof.
FIG. 6 is a top plan view thereof; and,
FIG. 7 is a bottom plan view thereof.
The broken lines illustrate portions of the water flosser that form no part of the claimed design.

1 Claim, 7 Drawing Sheets

(56) **References Cited**
U.S. PATENT DOCUMENTS

3,425,410 A 2/1969 Cammack
D565,175 S 3/2008 Boyd et al.
D714,929 S 10/2014 Kim et al.
8,888,727 B2 11/2014 Boyd et al.



(56)

References Cited

U.S. PATENT DOCUMENTS

9,642,677 B2 5/2017 Luetngen et al.
 D788,907 S 6/2017 Kim et al.
 D794,773 S 8/2017 Senff et al.
 D796,028 S 8/2017 Senff et al.
 D798,440 S 9/2017 Kim et al.
 D802,119 S 11/2017 Kim
 D809,650 S 2/2018 Kim et al.
 9,980,793 B2 5/2018 Wanger et al.
 D822,196 S 7/2018 Kim
 D822,825 S 7/2018 Au et al.
 D822,826 S 7/2018 Au et al.
 10,016,254 B2 7/2018 Luetngen
 10,022,207 B2 7/2018 Taylor et al.
 D825,741 S 8/2018 Massie et al.
 D829,886 S 10/2018 Massie et al.
 D829,887 S 10/2018 Massie et al.
 D832,418 S 10/2018 Porter et al.
 D832,419 S 10/2018 Porter et al.
 D832,420 S 10/2018 Porter et al.
 D833,000 S * 11/2018 Porter D24/111
 D833,600 S 11/2018 Porter et al.
 D833,601 S 11/2018 Massie et al.
 D833,602 S 11/2018 Massie et al.
 D834,180 S 11/2018 Porter et al.
 D839,409 S 1/2019 Massie et al.
 D840,022 S * 2/2019 Porter D24/111
 D840,023 S 2/2019 Massie et al.
 10,258,442 B2 4/2019 Snyder et al.
 D851,239 S 6/2019 Chen
 D857,881 S 8/2019 Massie et al.
 D858,750 S 9/2019 Porter et al.
 D859,644 S 9/2019 Porter et al.
 D867,579 S 11/2019 Porter et al.
 D867,580 S 11/2019 Boyd et al.
 D872,855 S 1/2020 Porter et al.
 D877,324 S 3/2020 Massie et al.

D880,688 S 4/2020 Kim
 D889,636 S * 7/2020 Senff D24/111
 D893,017 S * 8/2020 Porter D24/111
 10,779,922 B2 9/2020 Wagner et al.
 D901,675 S 11/2020 Ross et al.
 D907,196 S * 1/2021 Ross D24/111
 D907,197 S 1/2021 Ross et al.
 D912,241 S * 3/2021 Senff D24/111
 D912,802 S 3/2021 Williams et al.
 D913,485 S * 3/2021 Senff D24/111
 10,959,931 B2 * 3/2021 Snyder A61K 8/361
 2017/0209234 A1 7/2017 Senff et al.
 2018/0168784 A1 6/2018 Wagner et al.
 2018/0168785 A1 * 6/2018 Wagner A61C 17/0202
 2018/0263742 A1 9/2018 Taylor et al.
 2020/0268494 A1 * 8/2020 Senff A61C 17/0202

FOREIGN PATENT DOCUMENTS

CN ZL202030078906.1 7/2020
 CN ZL202030078907.6 S 7/2020
 CN 202030078883.4 9/2020
 EM 007746847-0001 3/2020
 JP 1664832 S 7/2020
 JP D1674491 * 11/2020
 JP 1674491 S 12/2020
 KR 3009765780000 10/2018

OTHER PUBLICATIONS

Waterpik Water Flosser Models WF-11 | WF-12 Instruction Manual by Waterpik. Waterpik.com. Copyright year: 2020. Retrieval date: May 3, 2021. Retrieved from internet: <https://www.waterpik.com/oral-health/pdfs/ion-water-flosser-instruction-manual.pdf> (Year: 2020).*

U.S. Appl. No. 62/809,466, filed Feb. 22, 2019, entitled "Countertop Water Flosser," 33 pages.

* cited by examiner

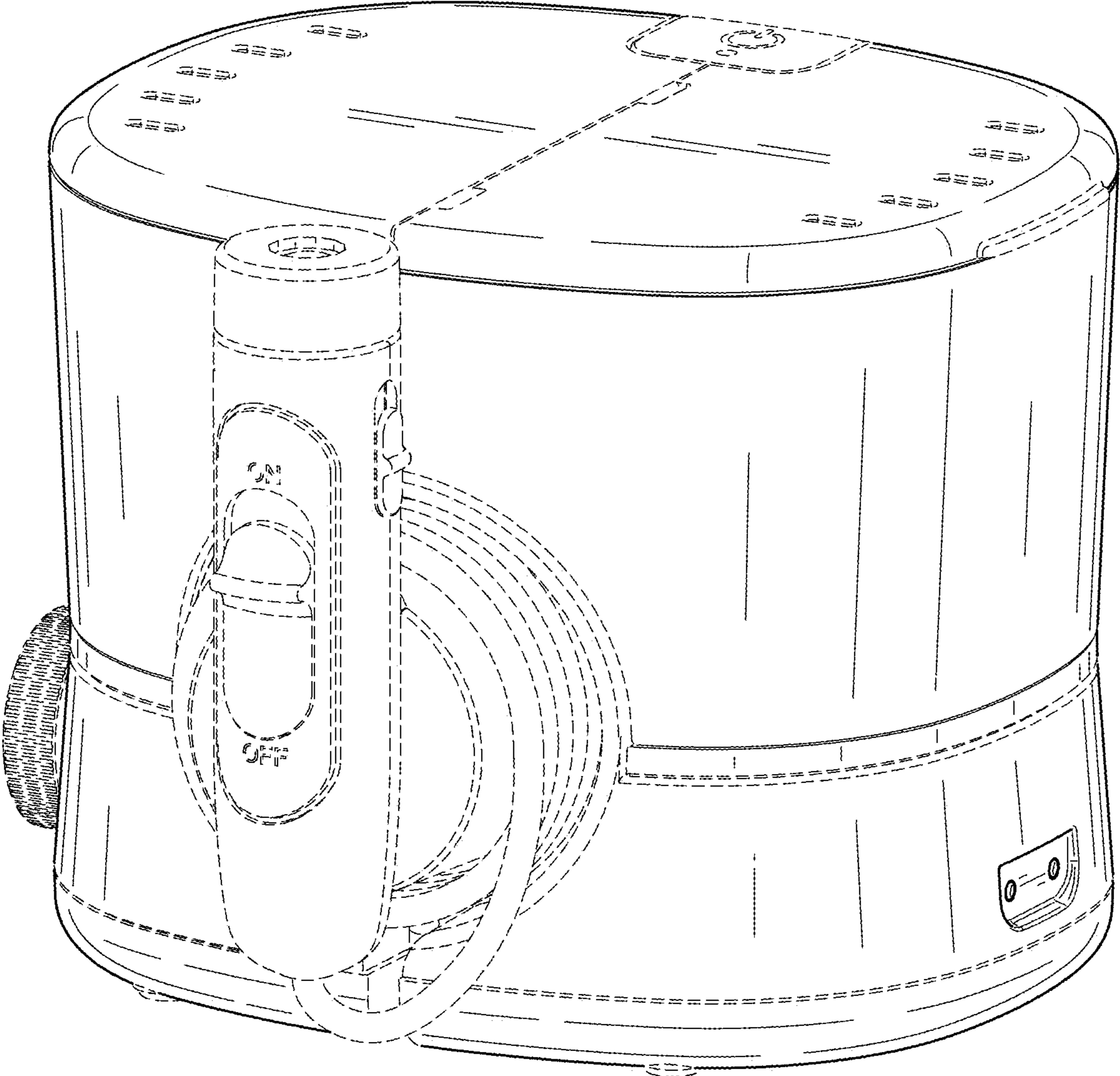


FIG. 1

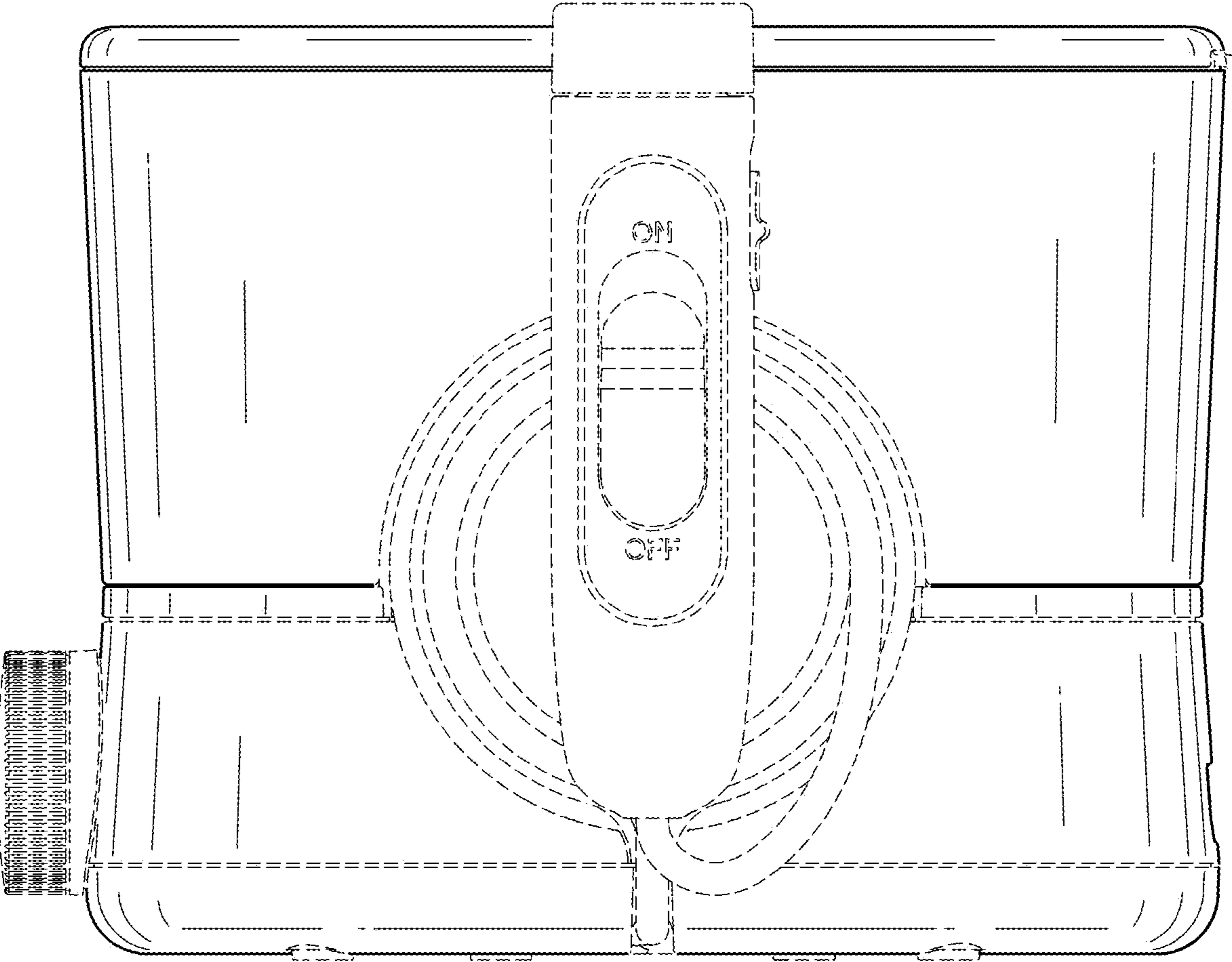


FIG. 2

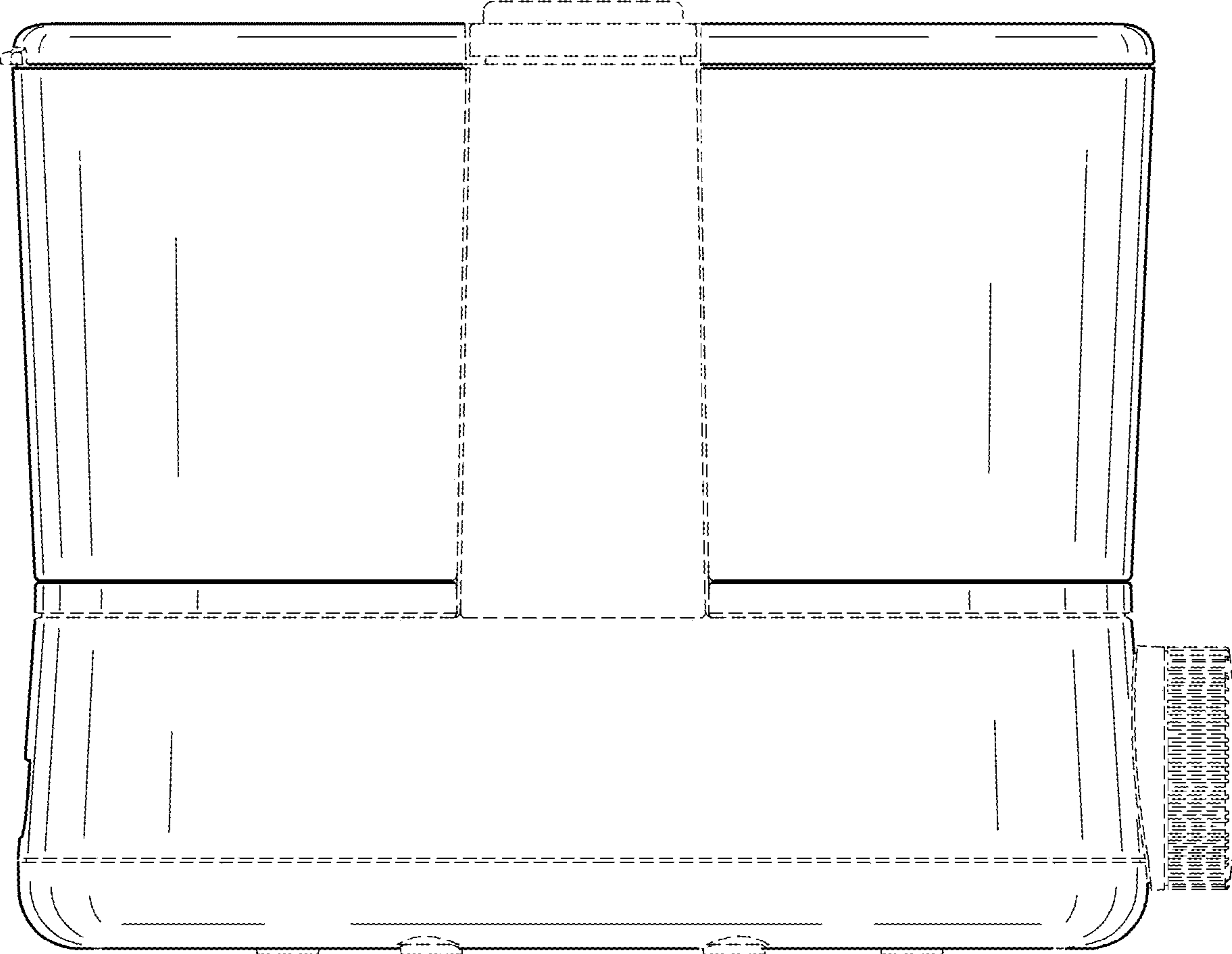


FIG. 3

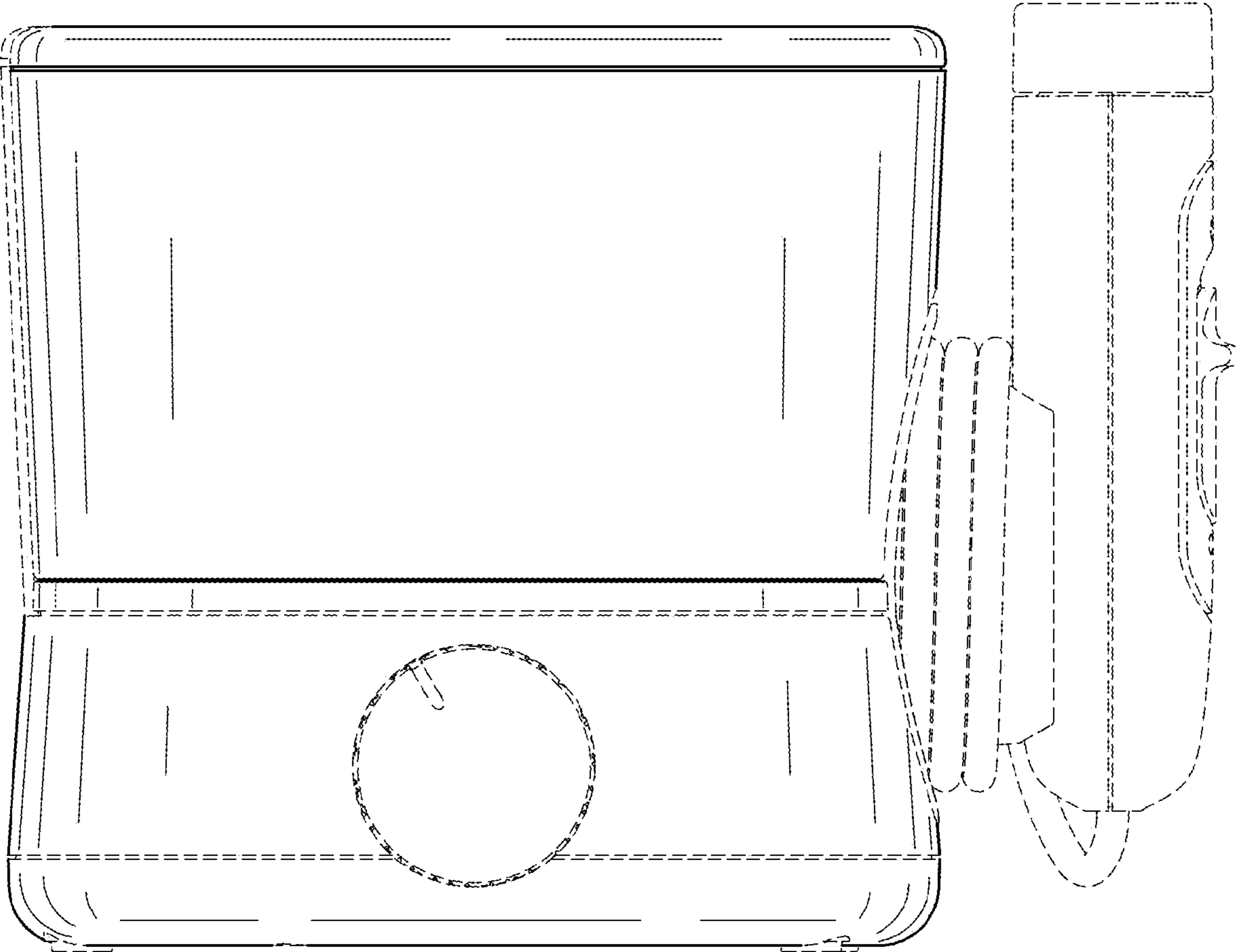


FIG. 4

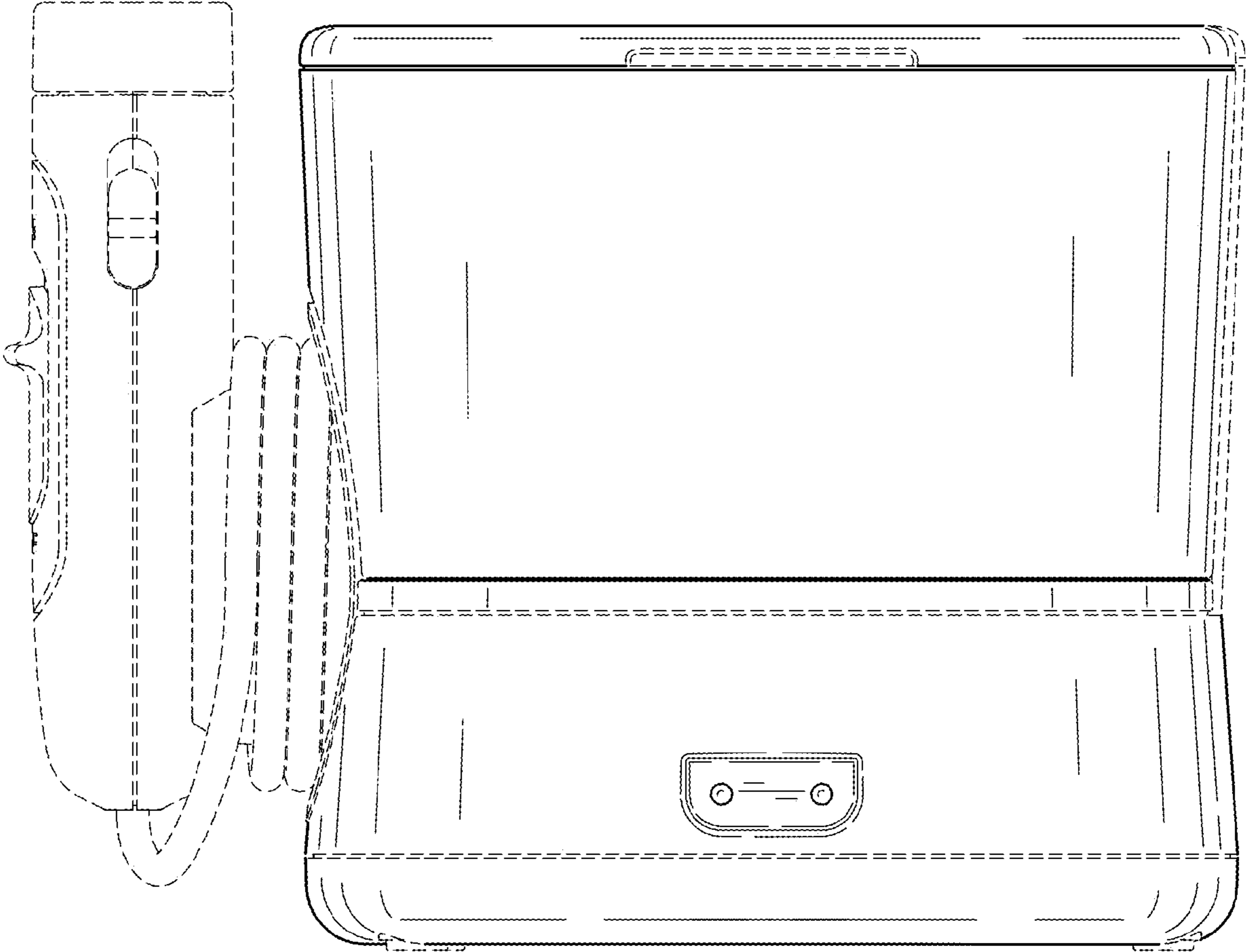


FIG. 5

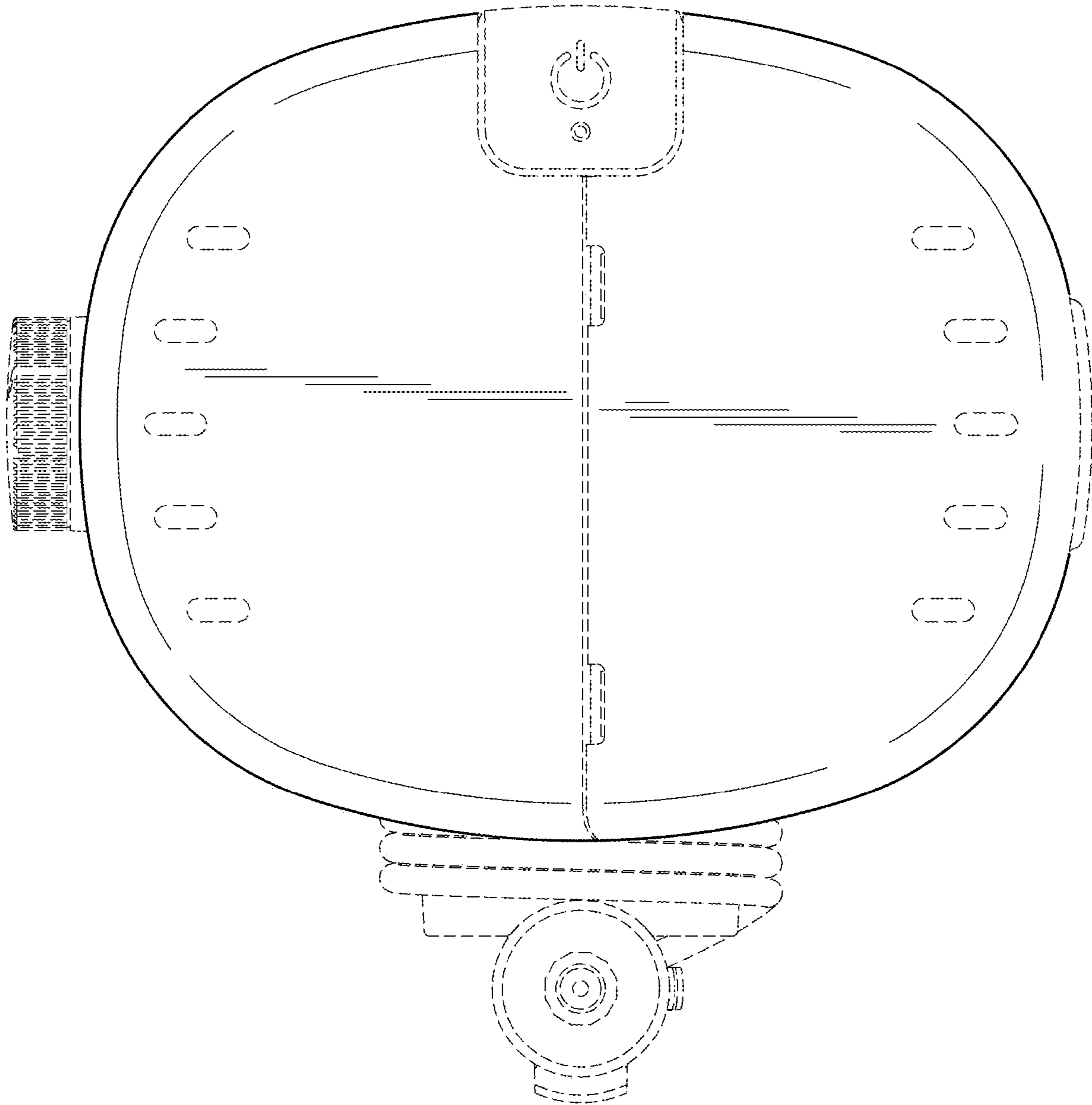


FIG. 6

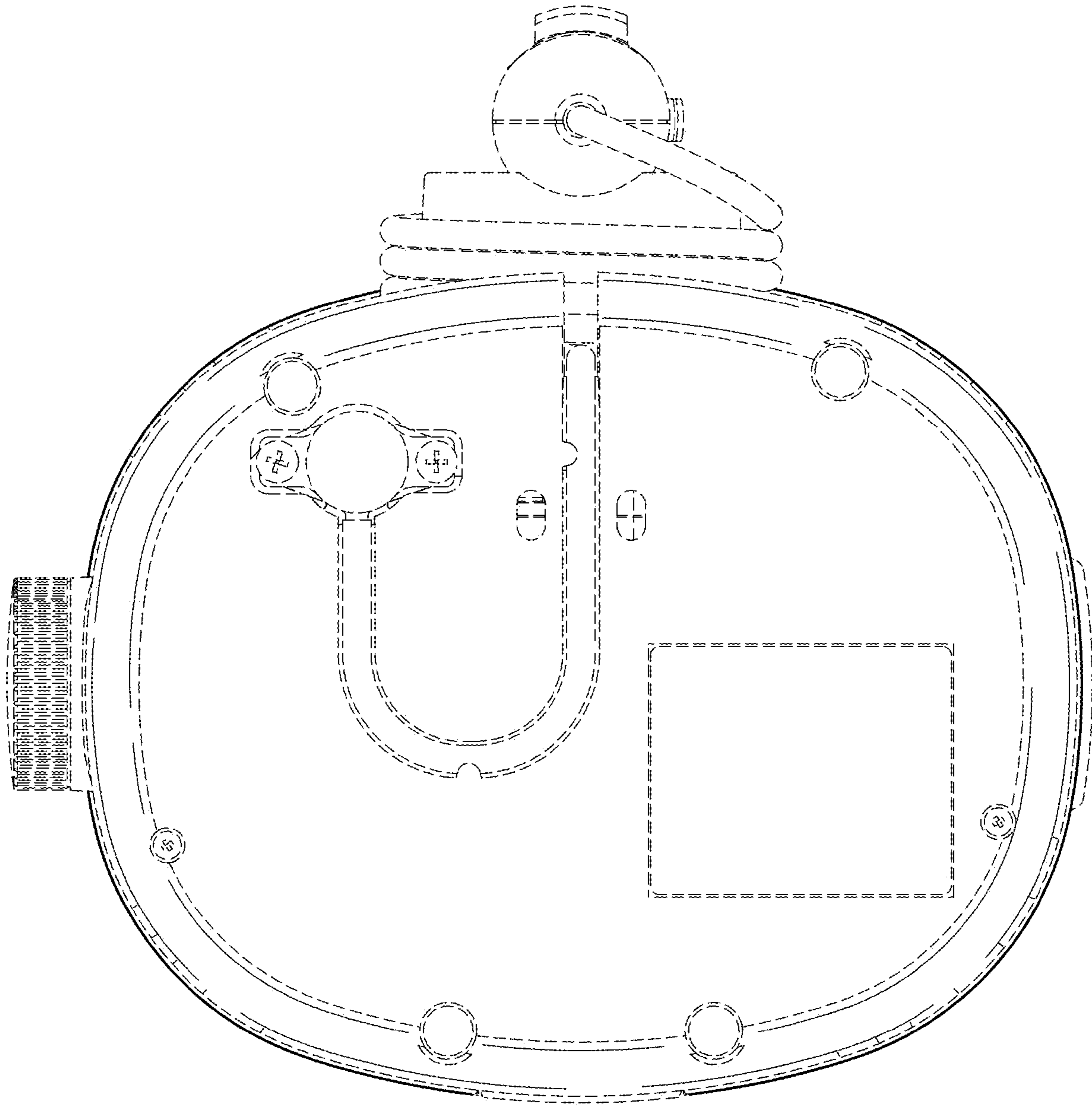


FIG. 7