



US00D948029S

(12) **United States Design Patent**  
**Hopta et al.**

(10) **Patent No.:** **US D948,029 S**

(45) **Date of Patent:** **\*\* Apr. 5, 2022**

(54) **AROMATHERAPY FACEMASK CLIP**

(71) Applicant: **Aroxel LLC**, Wynnewood, PA (US)

(72) Inventors: **Donald W. Hopta**, Estero, FL (US);  
**Joseph E. Post, III**, Largo, FL (US);  
**Andrew L. Phillips**, Venice, FL (US)

(73) Assignee: **AROXEL LLC**, Wynnewood, PA (US)

(\*\*) Term: **15 Years**

(21) Appl. No.: **29/735,865**

(22) Filed: **May 26, 2020**

(51) **LOC (13) Cl.** ..... **29-02**

(52) **U.S. Cl.**  
USPC ..... **D24/110.1**; D8/394; D11/214

(58) **Field of Classification Search**  
USPC ..... D3/215; D7/685; D8/72, 394–396;  
D11/78.1, 87, 200, 201, 206, 214, 215,  
D11/218, 237; D24/110, 110.1–110.6,  
D24/127, 162, 164, 231; D28/39;  
D29/108, 122; D32/60–64; D6/546  
CPC ..... A41D 13/11; A41D 2400/52; A47G 1/21;  
A47G 25/0657; A47K 10/14; A61H  
2201/102; A61L 9/12; A61M 21/00;  
A61M 21/0016; A62B 18/00; A62B  
18/02; A62B 18/025; A62B 18/08; A62B  
23/025; A62C 13/78

See application file for complete search history.

(56) **References Cited**

**U.S. PATENT DOCUMENTS**

3,119,163 A \* 1/1964 Merfeld ..... A44B 6/00  
24/562  
D233,312 S \* 10/1974 Lock ..... D24/143  
D234,246 S \* 2/1975 Martini ..... D8/395  
D269,155 S \* 5/1983 Rose ..... D8/356  
D295,723 S \* 5/1988 Shioda ..... D8/380  
D352,647 S \* 11/1994 Stevens ..... 248/499  
5,609,415 A \* 3/1997 Protz, Jr. .... F21V 21/08  
248/229.16  
D415,343 S \* 10/1999 Maddox ..... D3/207

D478,630 S \* 8/2003 Riggins ..... D19/78  
D552,463 S \* 10/2007 French ..... D8/395  
D766,711 S \* 9/2016 Babbage ..... D8/394  
D770,887 S \* 11/2016 Sudol ..... D8/395  
D834,703 S \* 11/2018 Babbage ..... D24/110  
D901,285 S \* 11/2020 Nguyen ..... D8/394

(Continued)

**FOREIGN PATENT DOCUMENTS**

CN 112841774 A \* 5/2021 ..... A41D 13/11

**OTHER PUBLICATIONS**

Scentclip (available [online] Dec. 8, 2020) Retrieved from the internet Nov. 15, 2021 from URL: <https://www.amazon.com/ScentClip-Aromatherapy-Hypoallergenic-Non-Toxic-Comfortably/dp/B08MTGG2DW>.\*

(Continued)

*Primary Examiner* — Eric L Goodman  
*Assistant Examiner* — Michael Hoffman  
(74) *Attorney, Agent, or Firm* — Morgan, Lewis & Bockius LLP

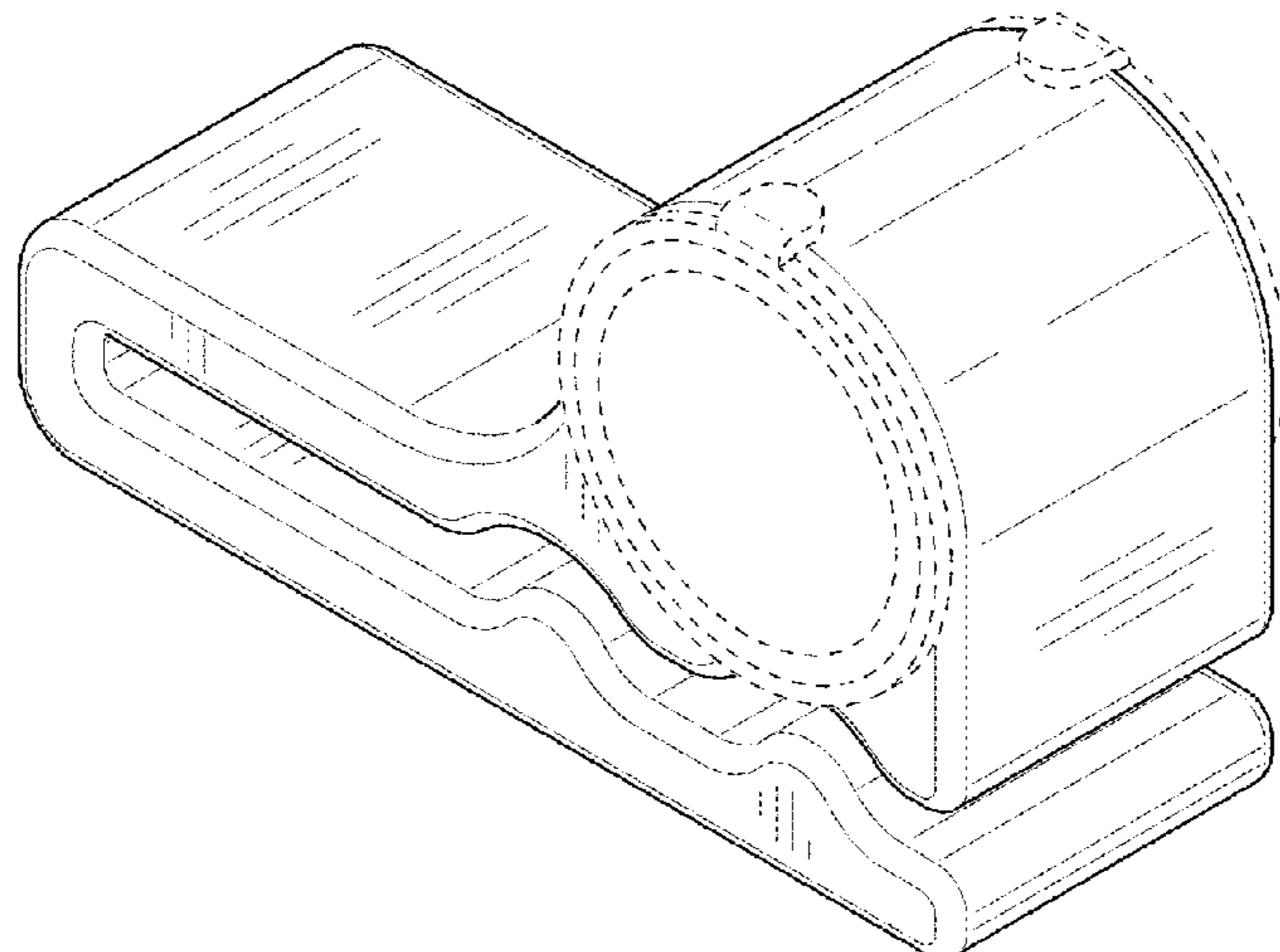
(57) **CLAIM**

The ornamental design for an aromatherapy facemask clip, as shown and described.

**DESCRIPTION**

FIG. 1 is a perspective view of an aromatherapy facemask clip showing our new design; FIG. 2 is a right-side elevational view thereof; FIG. 3 is a left-side elevational view thereof; FIG. 4 is a front elevational view thereof; FIG. 5 is a rear elevational view thereof; FIG. 6 is a top plan view thereof; and, FIG. 7 is a bottom plan view thereof. The broken lines illustrate structure or features that form no part of the claimed design.

**1 Claim, 4 Drawing Sheets**



(56)

**References Cited**

U.S. PATENT DOCUMENTS

2003/0047186 A1\* 3/2003 Dyer ..... A61M 15/00  
128/203.29  
2014/0193764 A1\* 7/2014 Pizzini ..... A61M 15/08  
432/247  
2020/0261684 A1\* 8/2020 Fyke ..... A61M 16/14

OTHER PUBLICATIONS

Hossian Aromatherapy (available [online] Jan. 3, 2019) Retrieved from the internet Nov. 19, 2021 from URL: <https://www.amazon.com/dp/B08YRM43G4/>.\*

Essential Oil Diffuser (available [online] Dec. 24, 2020) Retrieved from the internet Nov. 19, 2021 from URL: <https://www.amazon.com/Essential-Diffuser-Aromatherapy-Versatile-Expressive/dp/B08HZF9RVW/>.\*

\* cited by examiner

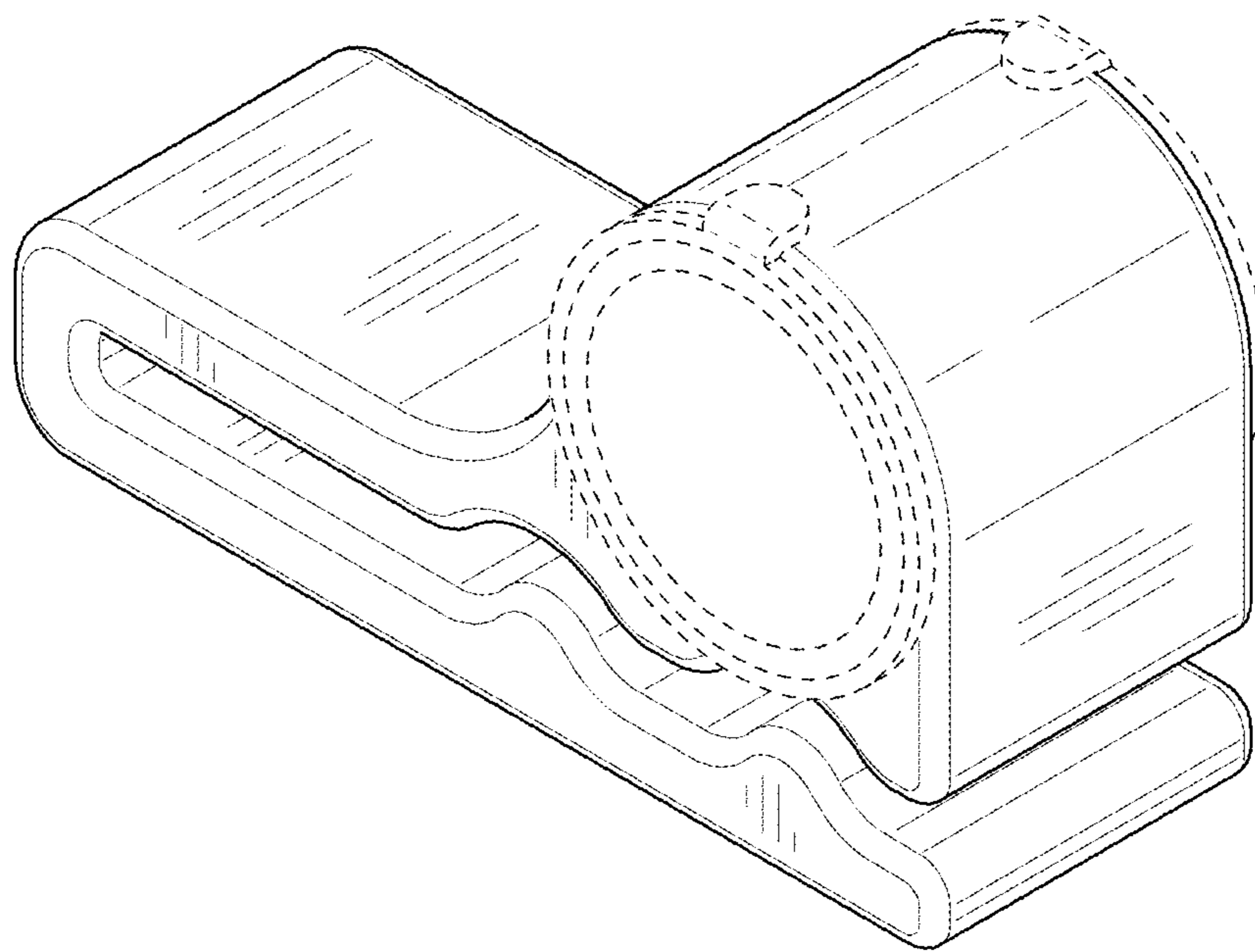


FIG. 1

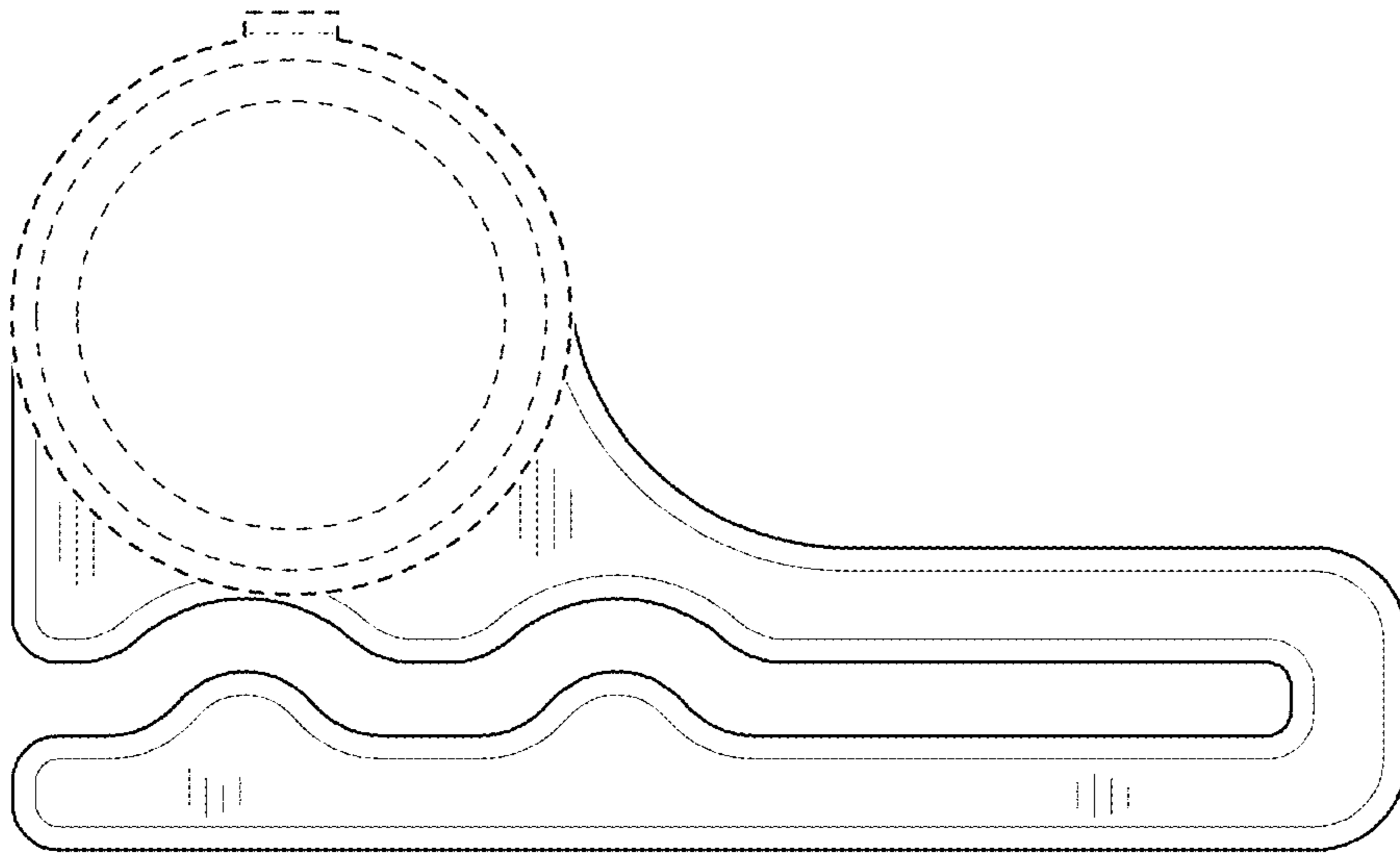


FIG. 2

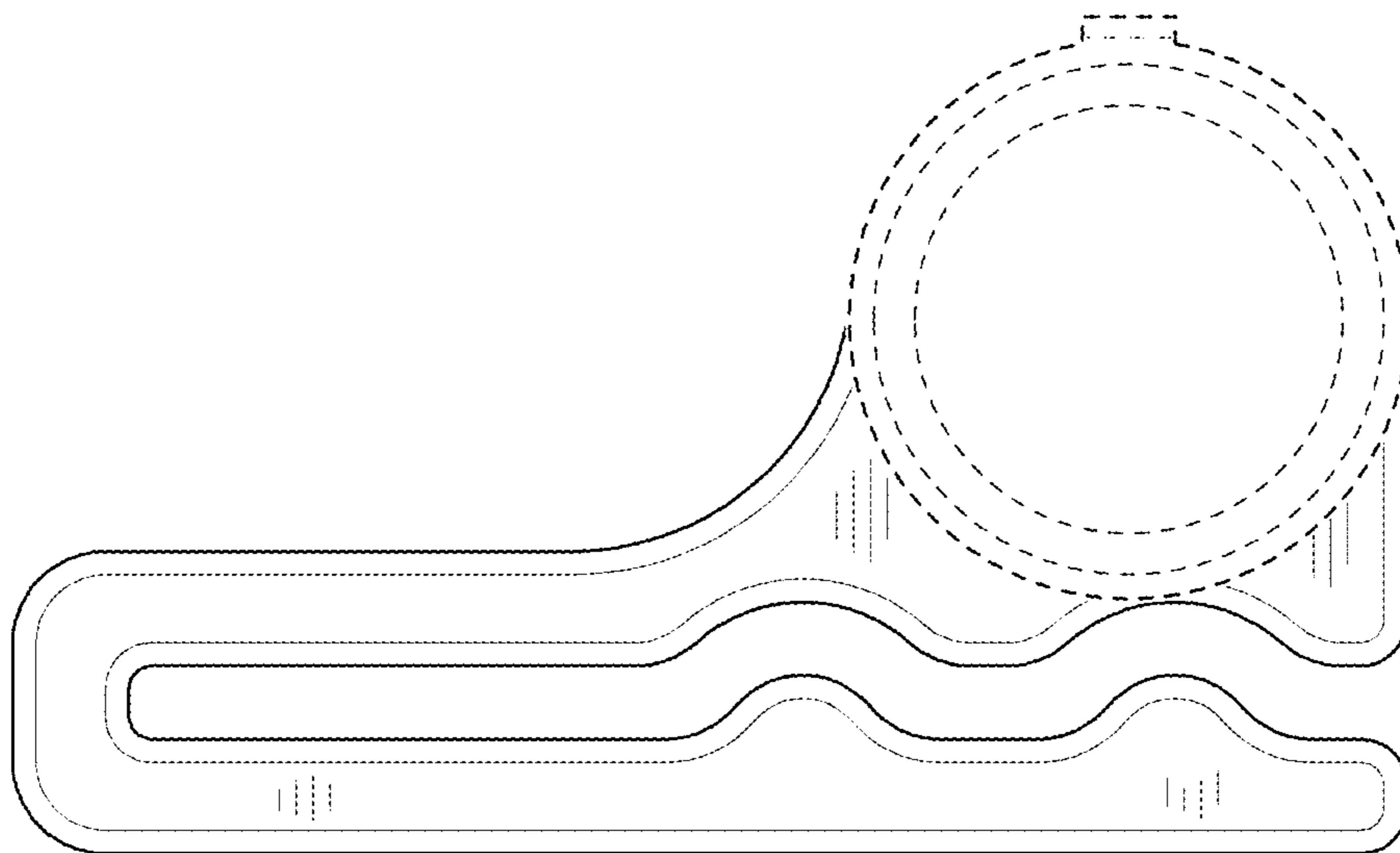


FIG. 3

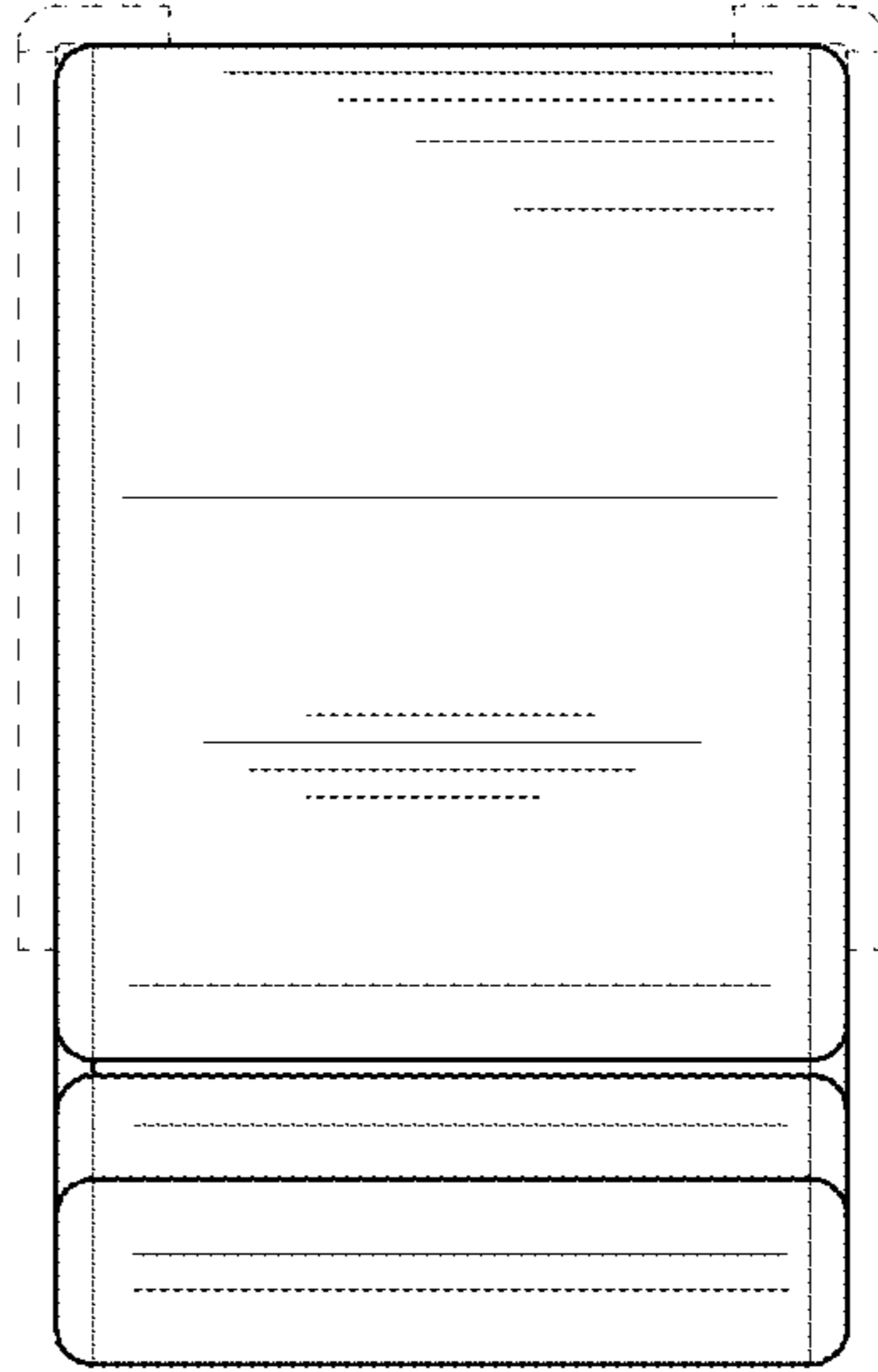


FIG. 4

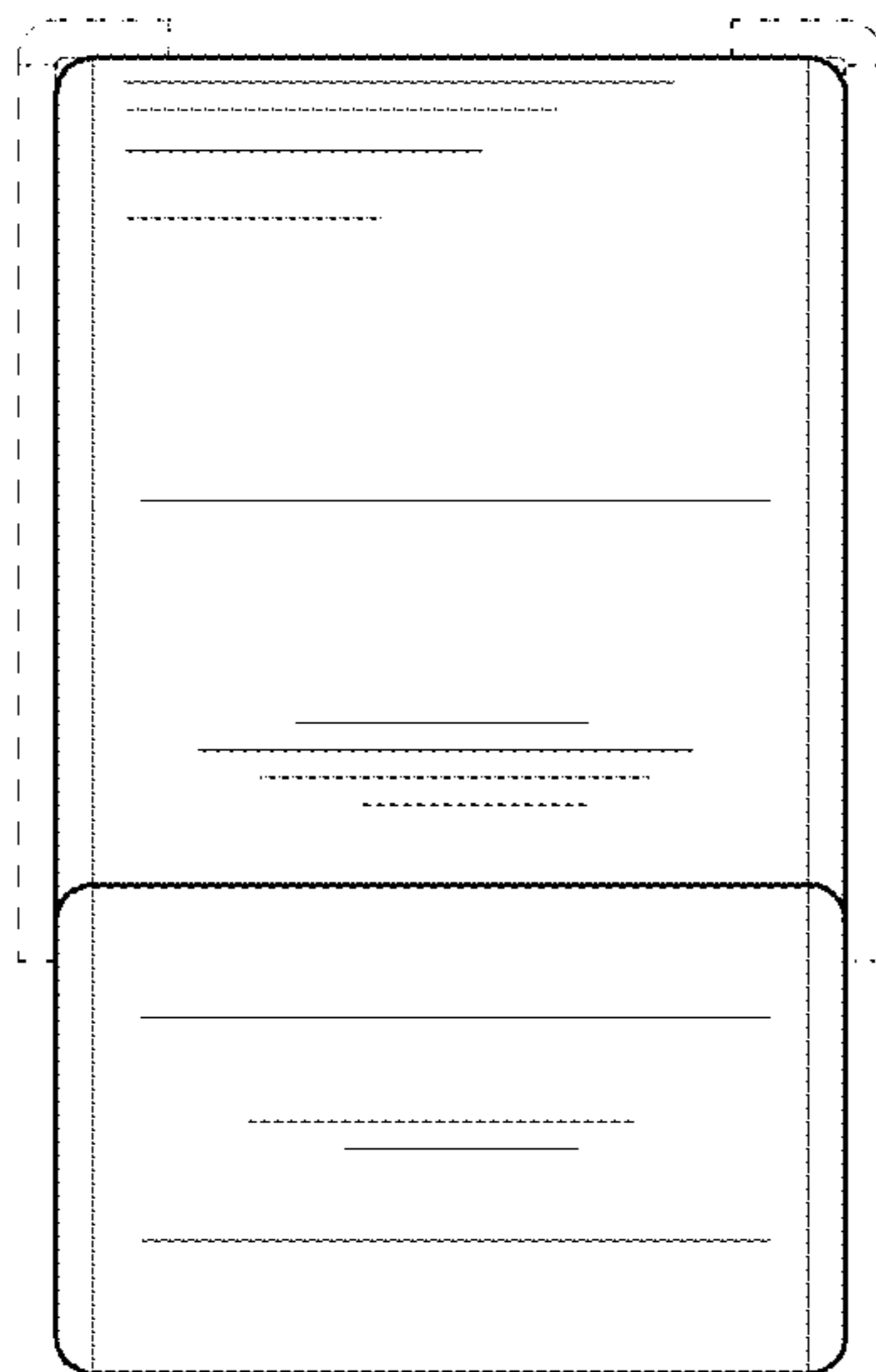


FIG. 5

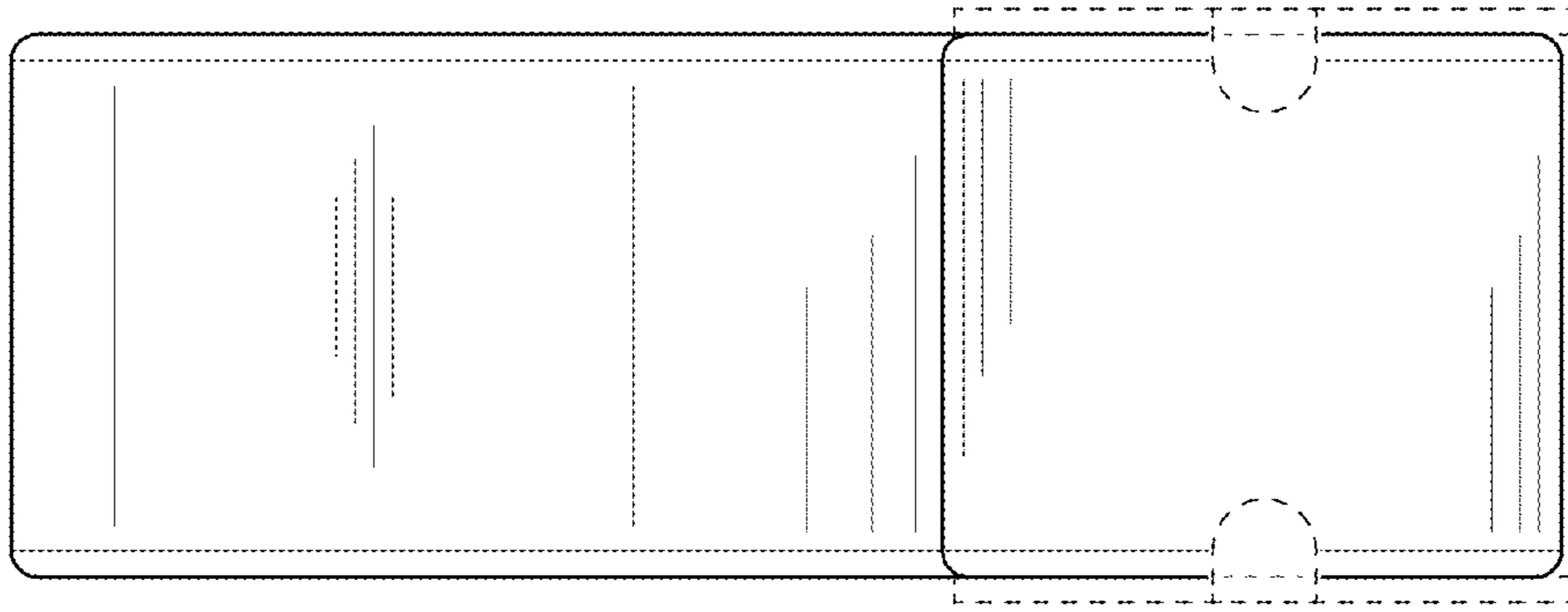


FIG. 6

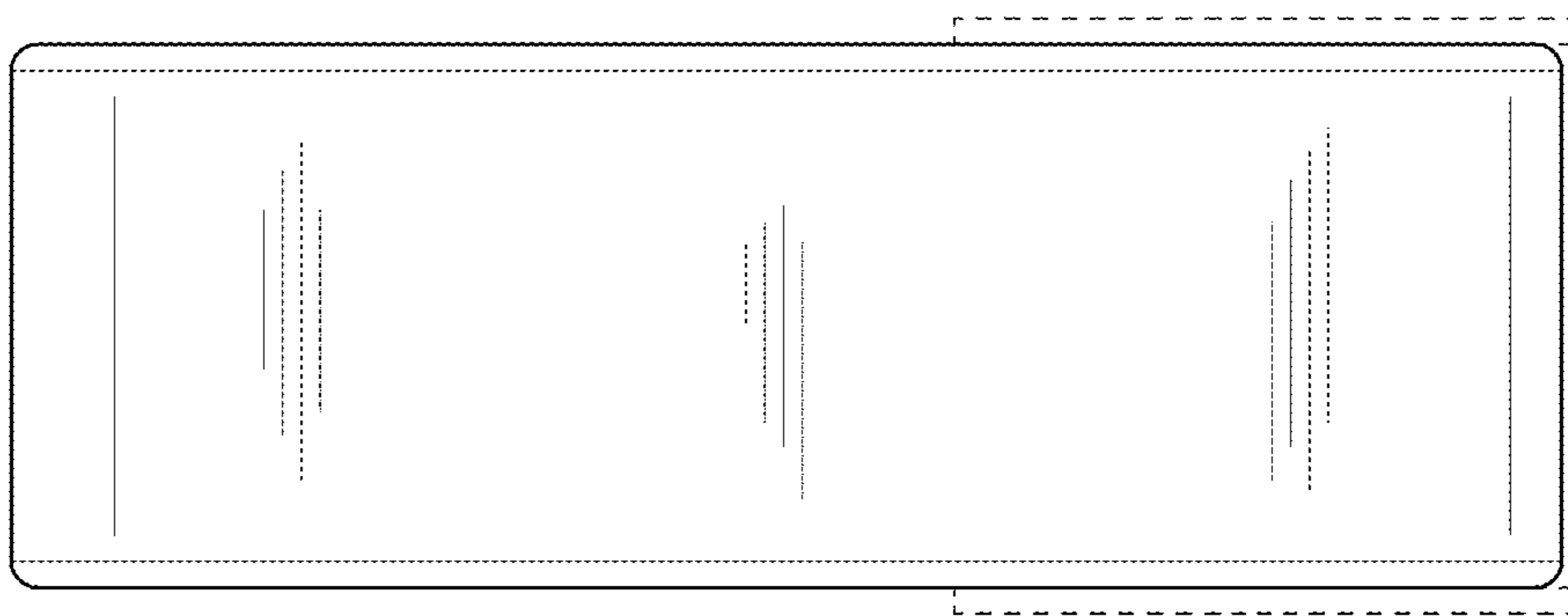


FIG. 7