



US00D948026S

(12) **United States Design Patent**  
**Gibertoni**

(10) **Patent No.:** **US D948,026 S**

(45) **Date of Patent:** **\*\* Apr. 5, 2022**

(54) **MEDICAL EQUIPMENT**

(71) Applicant: **REDAX S.P.A.**, Poggio Rusco (IT)

(72) Inventor: **Lucio Gibertoni**, Mirandola (IT)

(73) Assignee: **REDAX S.P.A.**, Poggio Rusco (IT)

(\*\*) Term: **15 Years**

(21) Appl. No.: **29/667,139**

(22) Filed: **Oct. 18, 2018**

(30) **Foreign Application Priority Data**

Jun. 20, 2018 (EM) ..... 005318144

(51) **LOC (13) Cl.** ..... **24-01**

(52) **U.S. Cl.**  
USPC ..... **D24/108**

(58) **Field of Classification Search**

USPC ..... D24/108, 111, 121, 185, 232  
CPC ..... A61M 1/00; A61M 1/71; A61M 1/60;  
A61M 1/64; A61M 1/92

See application file for complete search history.

(56) **References Cited**

**U.S. PATENT DOCUMENTS**

D434,142 S \* 11/2000 Cheney, II ..... D13/108  
D546,965 S \* 7/2007 Arce ..... D24/217  
D608,350 S \* 1/2010 Bo ..... D14/217  
D616,890 S \* 6/2010 Lewandowski ..... D14/434  
D625,014 S \* 10/2010 Hansen ..... D24/186  
D649,645 S \* 11/2011 Barker ..... D24/186  
D730,528 S \* 5/2015 Yang ..... D24/185

D754,353 S \* 4/2016 Pileski ..... D24/183  
D882,819 S \* 4/2020 Jones ..... D24/231  
D893,704 S \* 8/2020 Pratt ..... D24/110

**OTHER PUBLICATIONS**

Drentech™ Mobile RedLine, posted at omnia-health.com, earliest date reviewed on unknown, [online], acquired on May 28, 2021, Available on internet. url:https://www.omnia-health.com/product/drentech%E2%84%A2-mobile-redline (Year: 2021).\*

\* cited by examiner

*Primary Examiner* — Sheryl Lane

*Assistant Examiner* — Aula Soroush

(74) *Attorney, Agent, or Firm* — Cantor Colburn LLP

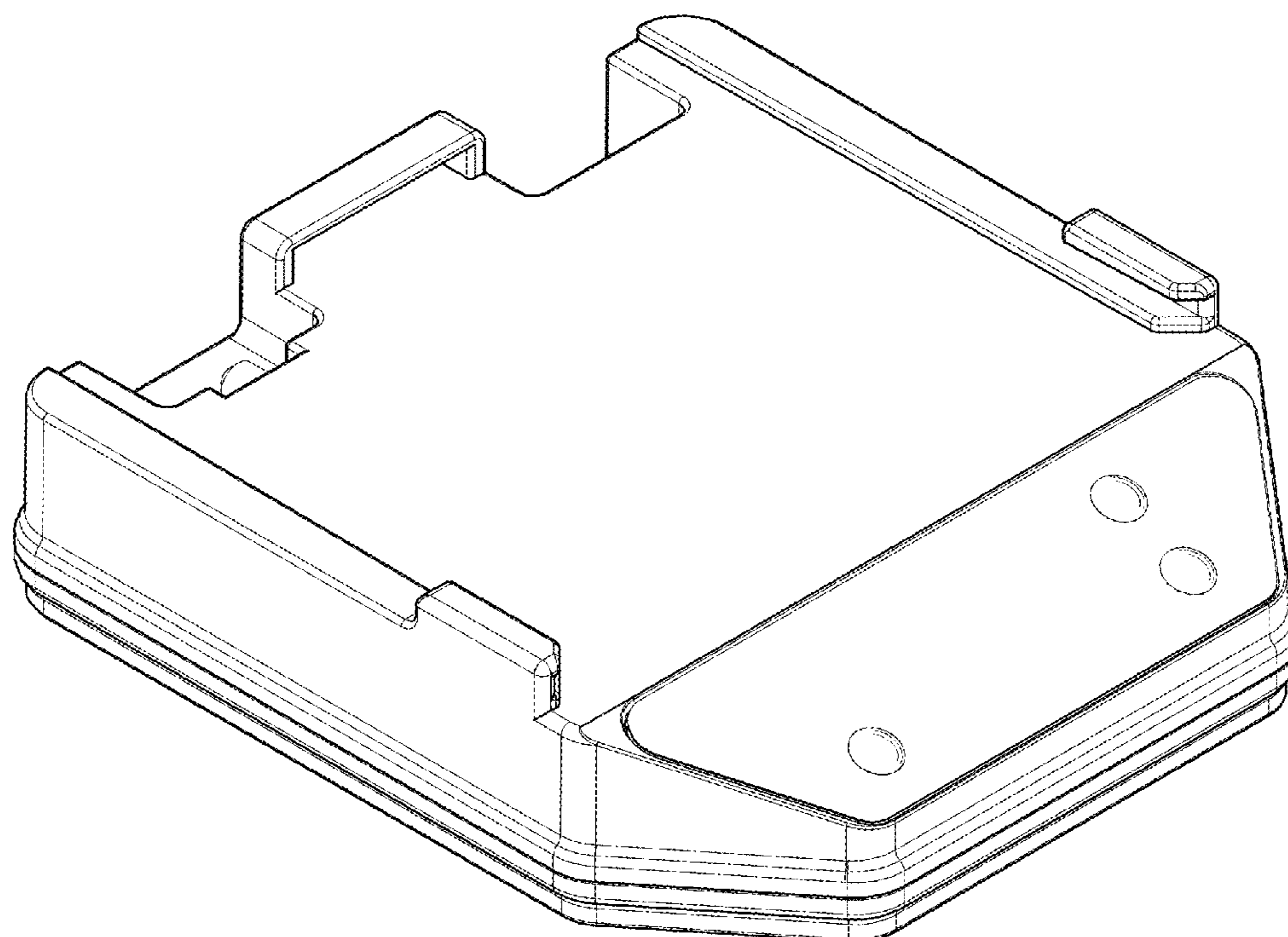
(57) **CLAIM**

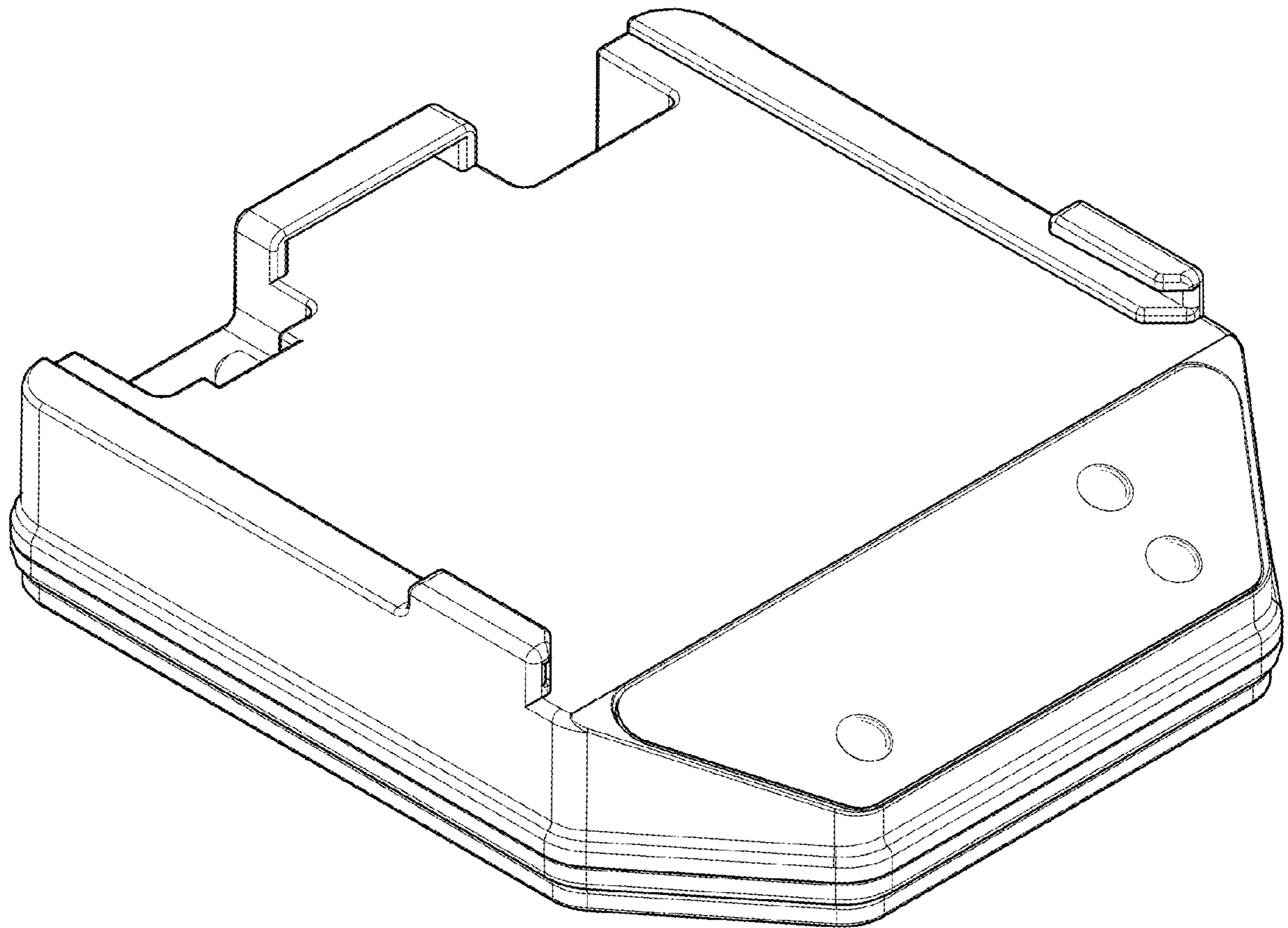
The ornamental design for a medical equipment, as shown and described.

**DESCRIPTION**

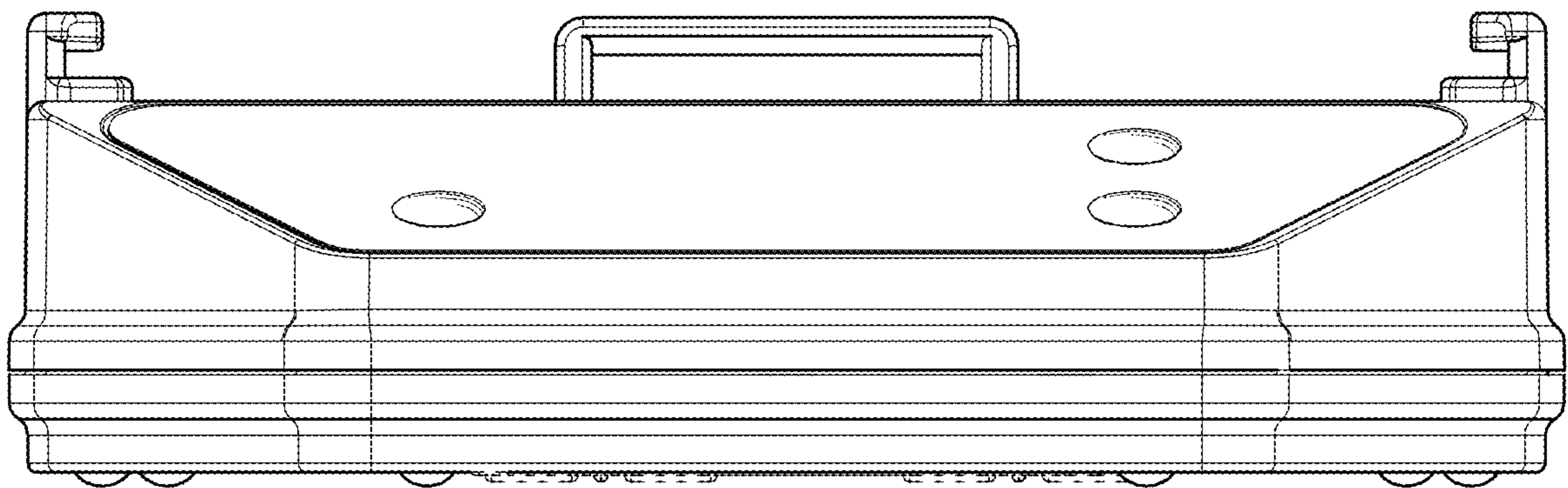
FIG. 1 is a perspective view of a medical equipment showing my new design;  
FIG. 2 is a front elevation view thereof;  
FIG. 3 is a rear elevation view thereof;  
FIG. 4 is a left side elevation view thereof;  
FIG. 5 is a top plan view thereof;  
FIG. 6 is a bottom plan view thereof;  
FIG. 7 is a rear perspective view thereof; and,  
FIG. 8 is a right side elevation view thereof.  
The broken lines in the drawings depict portions of the medical equipment which form no part of the claimed design.

**1 Claim, 8 Drawing Sheets**

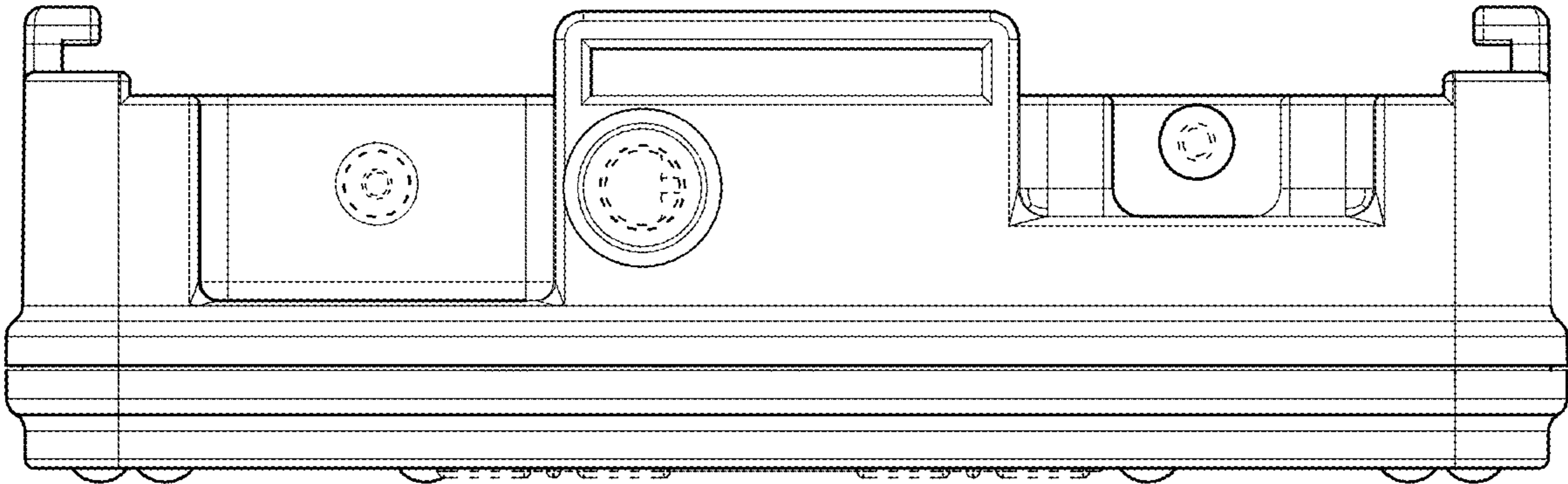




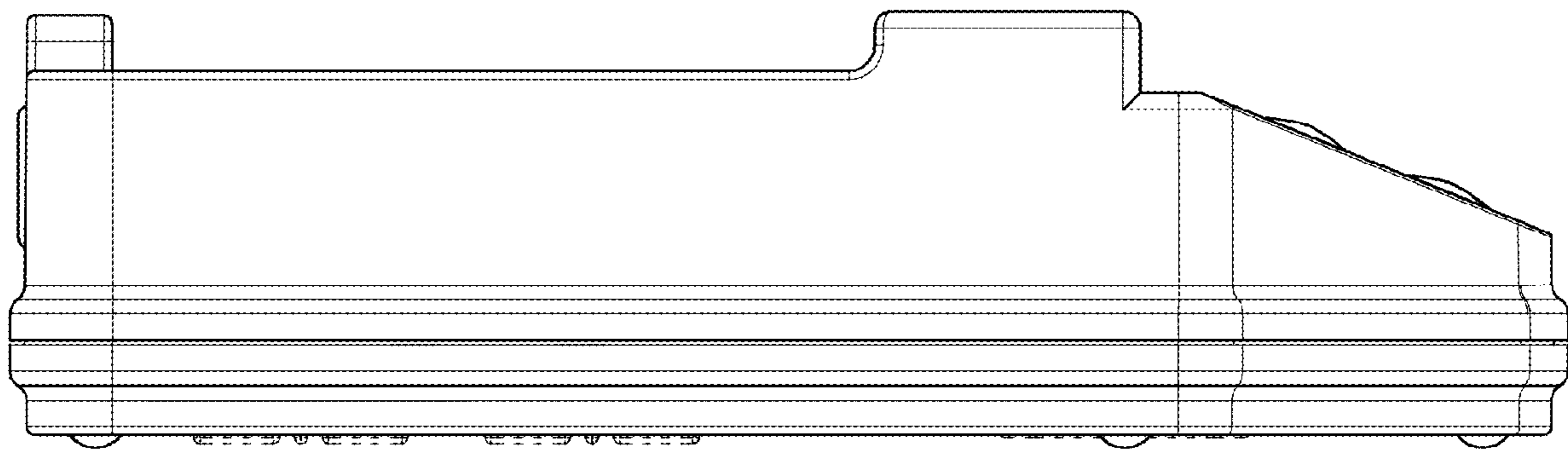
*Fig. 1*



*Fig. 2*

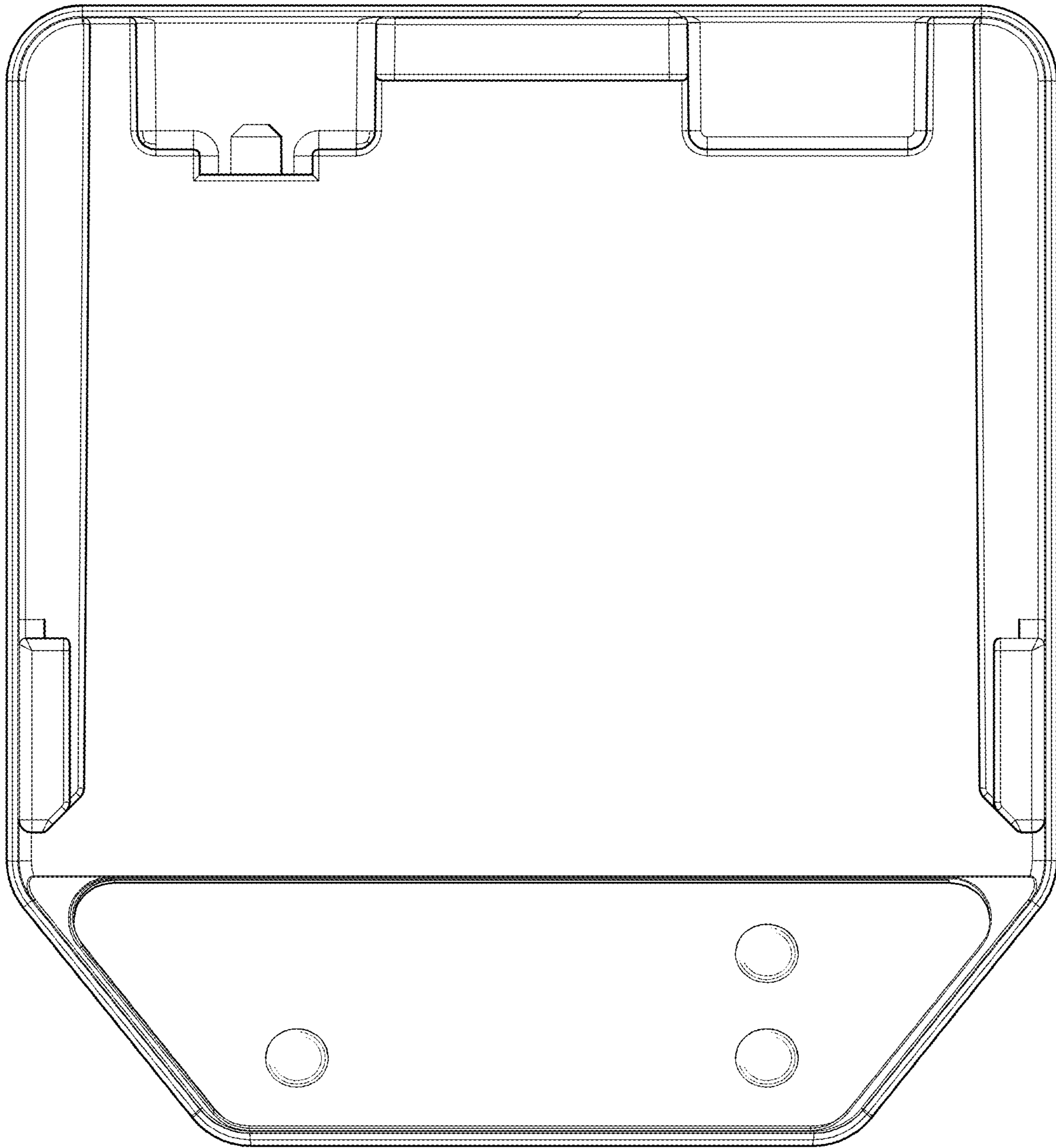


*Fig. 3*

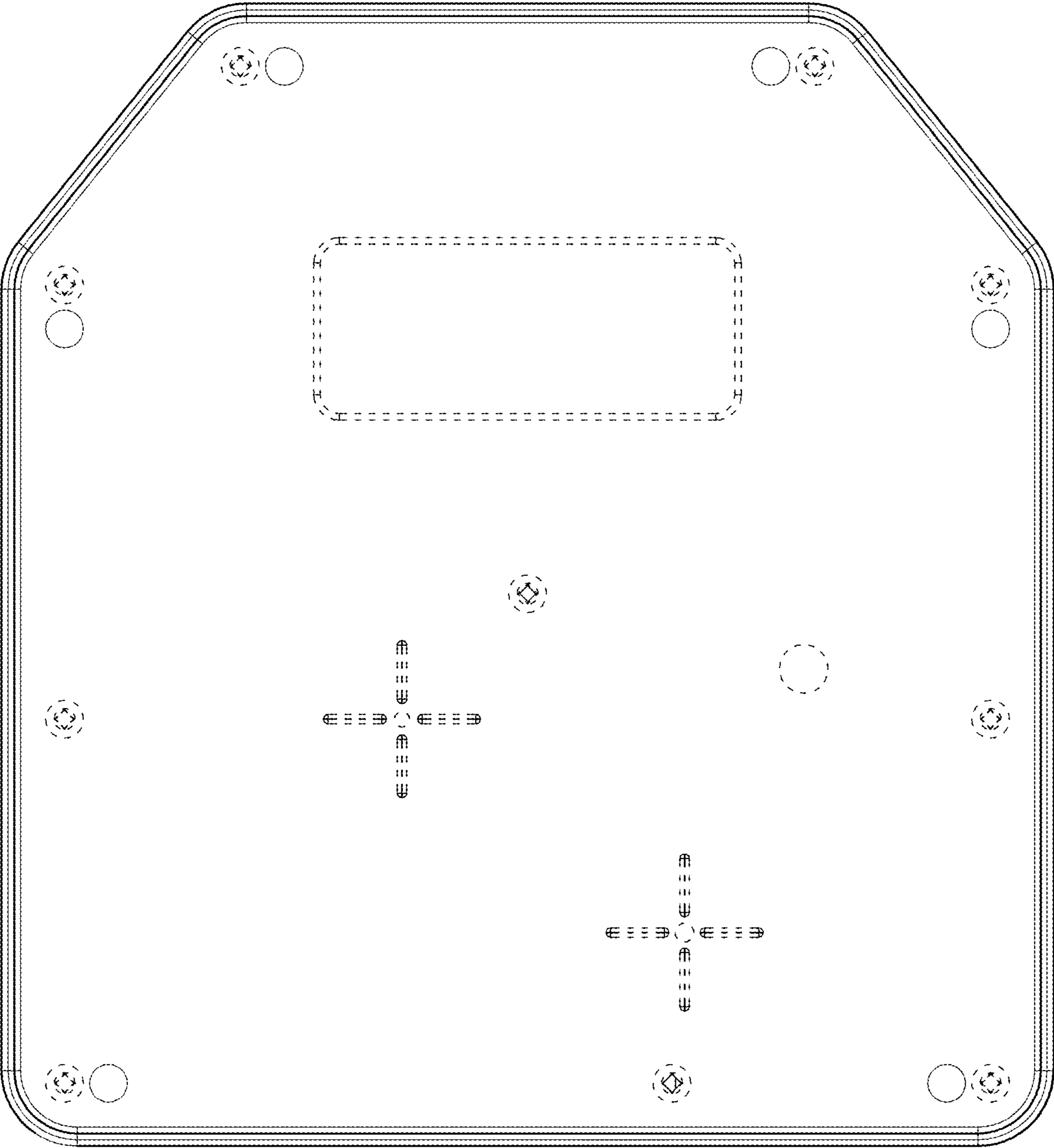


*Fig. 4*

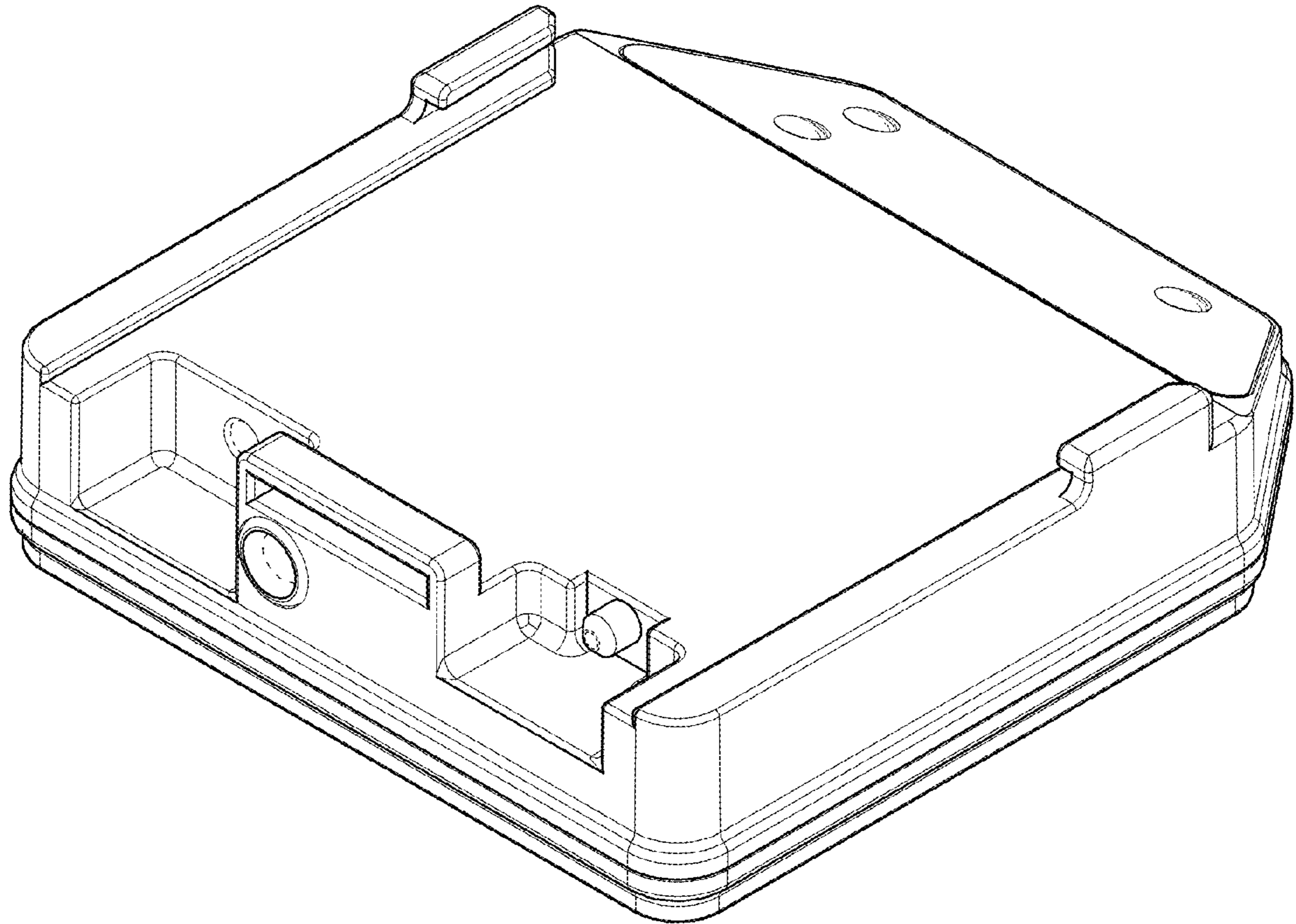




*Fig. 5*

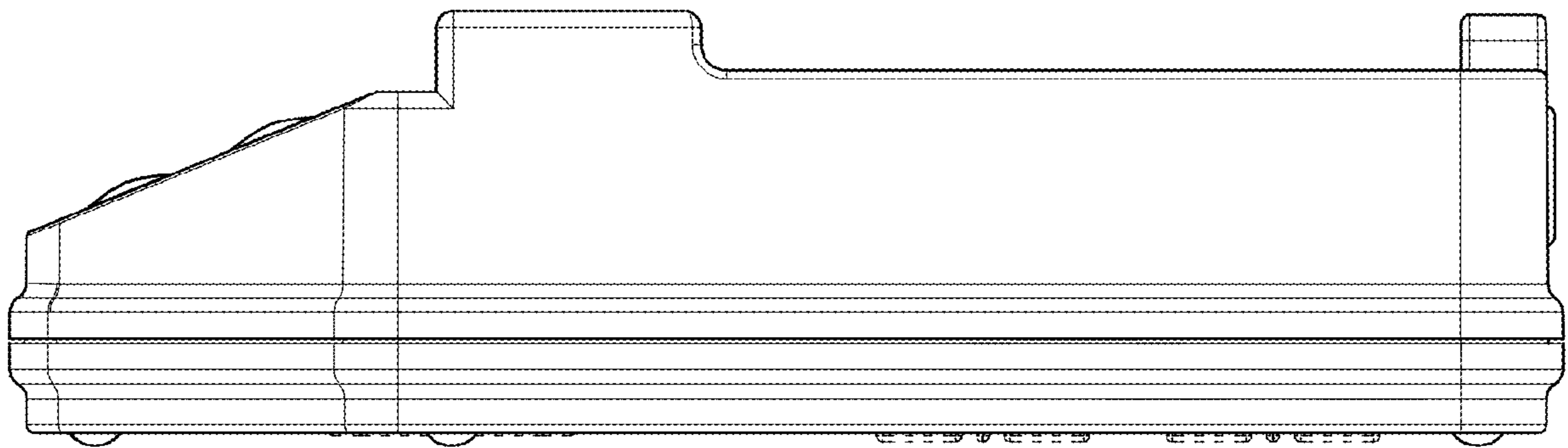


*Fig. 6*



*Fig. 7*





*Fig. 8*