



US00D948023S

(12) **United States Design Patent** (10) **Patent No.:** **US D948,023 S**
Wang (45) **Date of Patent:** **** Apr. 5, 2022**

- (54) **CEILING FAN**
- (71) Applicant: **YOUNGO LIMITED**, Hong Kong (CN)
- (72) Inventor: **Cliff Wang**, Taichung (TW)
- (73) Assignee: **YOUNGO LIMITED**, Hong Kong (CN)
- (**) Term: **15 Years**
- (21) Appl. No.: **29/736,229**
- (22) Filed: **May 28, 2020**
- (51) **LOC (13) Cl.** **23-04**
- (52) **U.S. Cl.**
USPC **D23/377; D23/411**
- (58) **Field of Classification Search**
USPC D23/370, 377, 379, 385, 411, 413;
D26/59
CPC F04D 25/088; F04D 29/38; F04D 29/384;
F04D 29/386; F21V 33/0096
See application file for complete search history.

- D878,540 S * 3/2020 Holmes D23/377
- D882,059 S * 4/2020 McRoberts D23/377
- D918,372 S * 5/2021 Holmes D23/377

OTHER PUBLICATIONS

Hunter Fan Company 53393 Hunter Bennett Indoor Low Profile Ceiling Fan with LED Light and Remote Control, date first available Feb. 14, 2017, site visited May 14, 2021 <https://www.amazon.com/Hunter-Fan-Company-53393-Bennett/dp/B06X91Z7Z7/ref=sr_1_36?crid=1QX3V231NZEGE&dchild=1&keywords=hampton+bay+gazebo+iii+ceiling+fan&qid=1620999826&prefix=hampton+bay+gazebo+III%2Caps%2C147&sr=8-36>.*

* cited by examiner

Primary Examiner — Sharon S Oum
(74) *Attorney, Agent, or Firm* — Pai Patent & Trademark Law Firm; Chao-Chang David Pai

(57) **CLAIM**

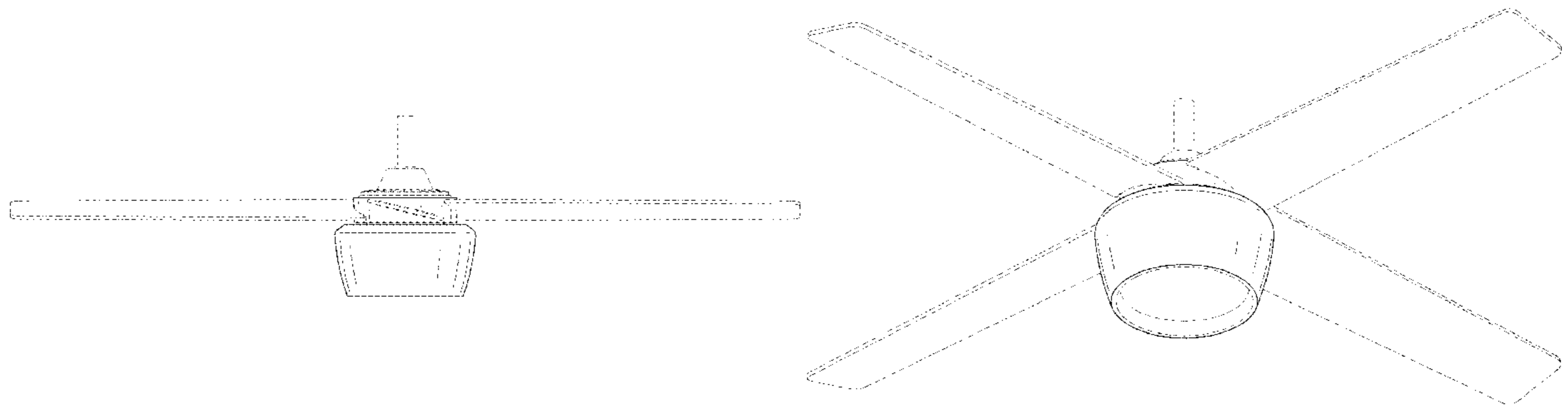
The ornamental design for a ceiling fan, as shown and described.

DESCRIPTION

FIG. 1 is a front top perspective view of a ceiling fan showing my new design;
FIG. 2 is a front elevational view thereof;
FIG. 3 is a rear elevational view thereof;
FIG. 4 is a left side elevational view thereof;
FIG. 5 is a right side elevational view thereof;
FIG. 6 is a top plan view thereof;
FIG. 7 is a bottom plan view thereof; and,
FIG. 8 is a front bottom perspective view thereof.
The broken lines illustrate portions of the ceiling fan and form no part of the claimed design.

1 Claim, 6 Drawing Sheets

- (56) **References Cited**
- U.S. PATENT DOCUMENTS**
- D64,122 S * 3/1924 Mathieu D26/132
- 1,588,222 A * 6/1926 Olier, Jr. F21V 13/04
362/304
- D404,123 S * 1/1999 Pelonis D23/336
- D594,540 S * 6/2009 Pan D23/377
- D598,999 S * 8/2009 Hidalgo D23/377
- D599,459 S * 9/2009 Hidalgo D23/377
- D807,491 S * 1/2018 Haggar D23/377
- D868,346 S * 11/2019 Holmes D26/128
- D872,250 S * 1/2020 Holmes D23/377
- D874,636 S * 2/2020 Holmes Bradley D23/377
- D874,699 S * 2/2020 Holmes D26/59
- D877,313 S * 3/2020 Wang D23/377



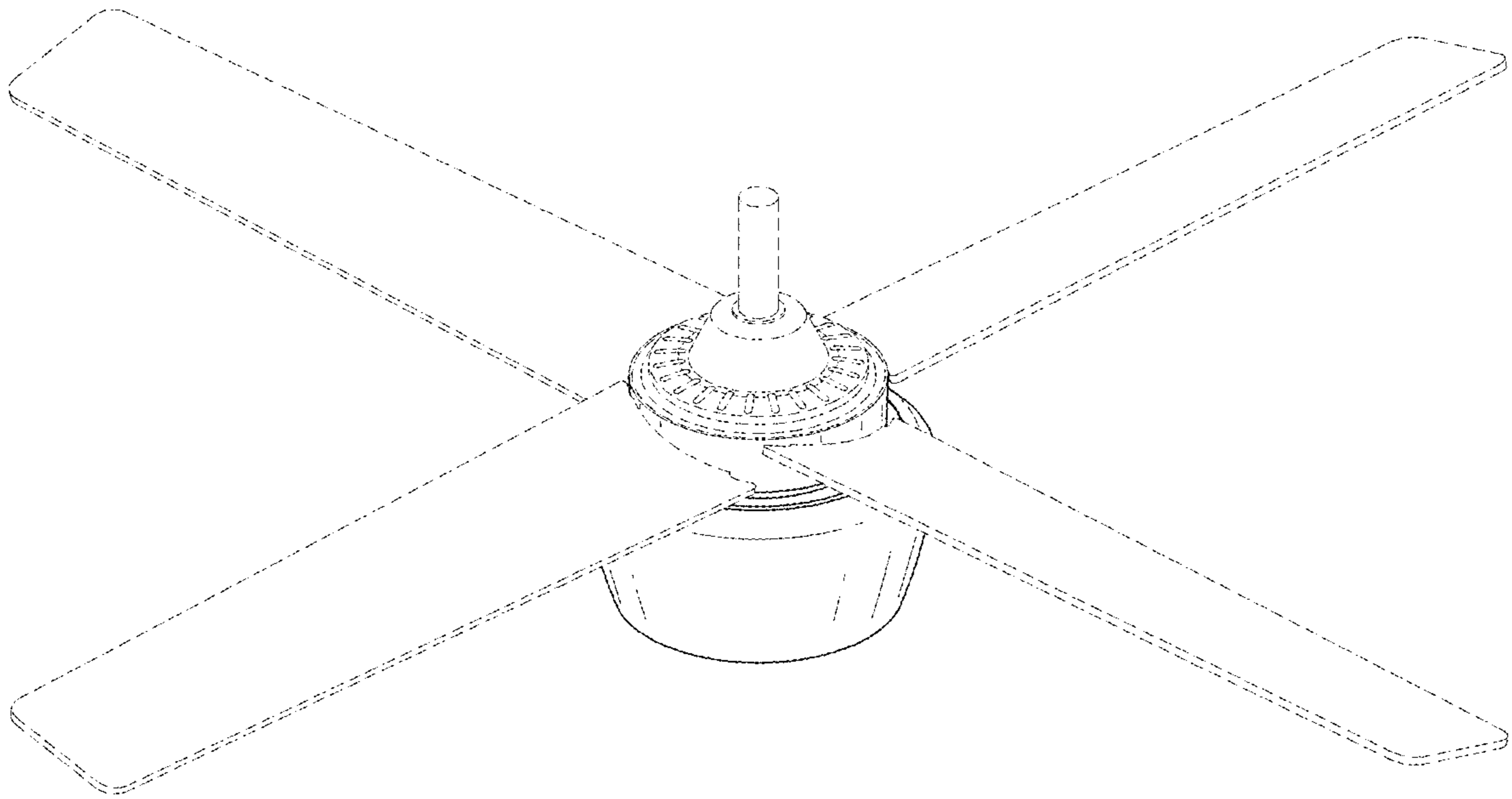


FIG. 1

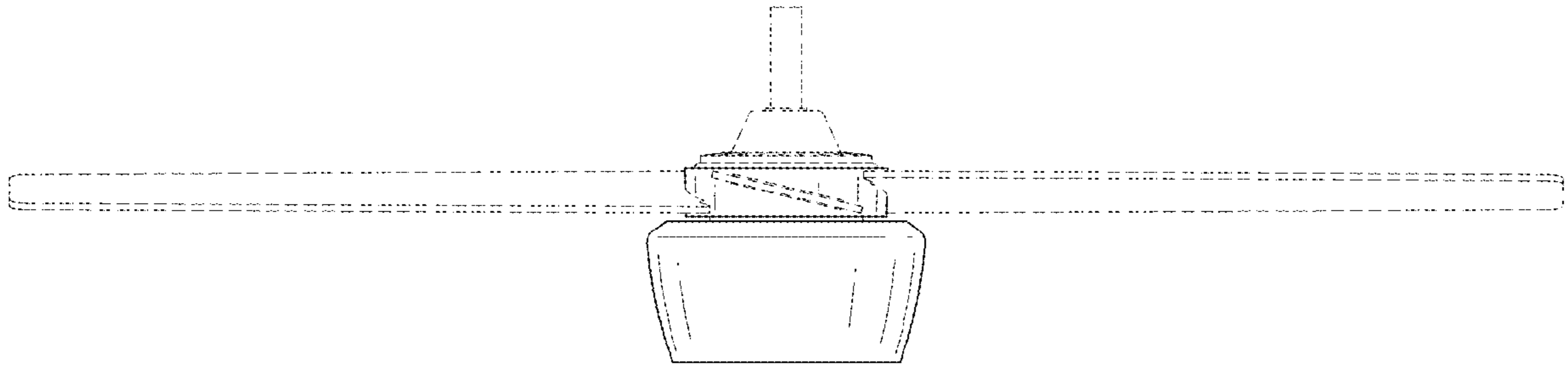


FIG. 2

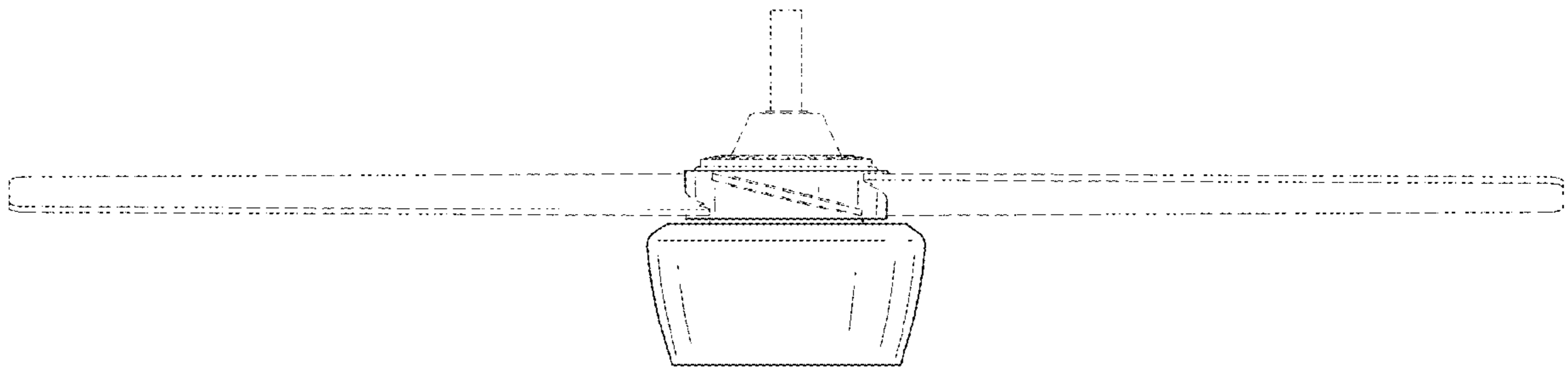


FIG. 3

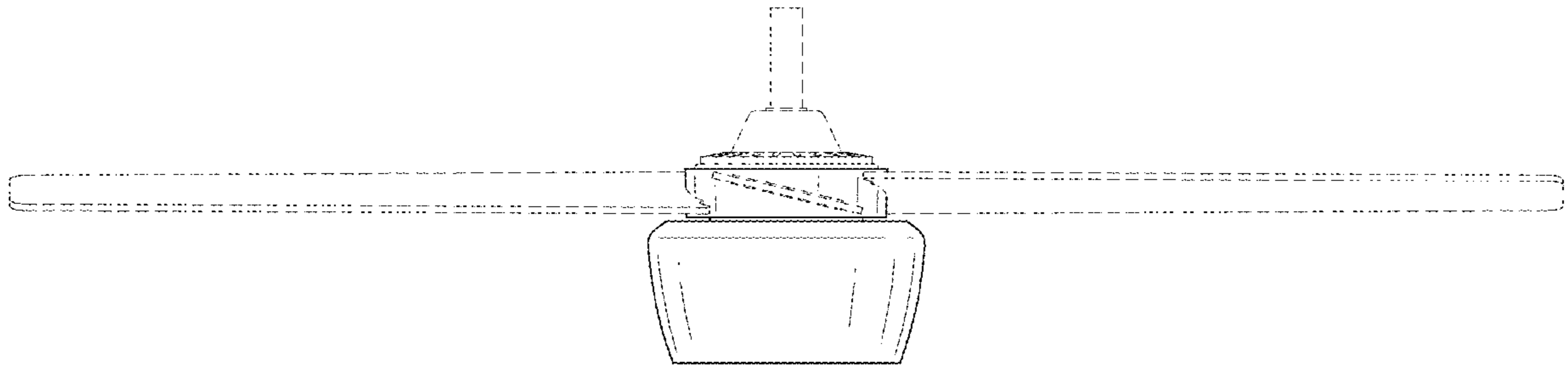


FIG. 4

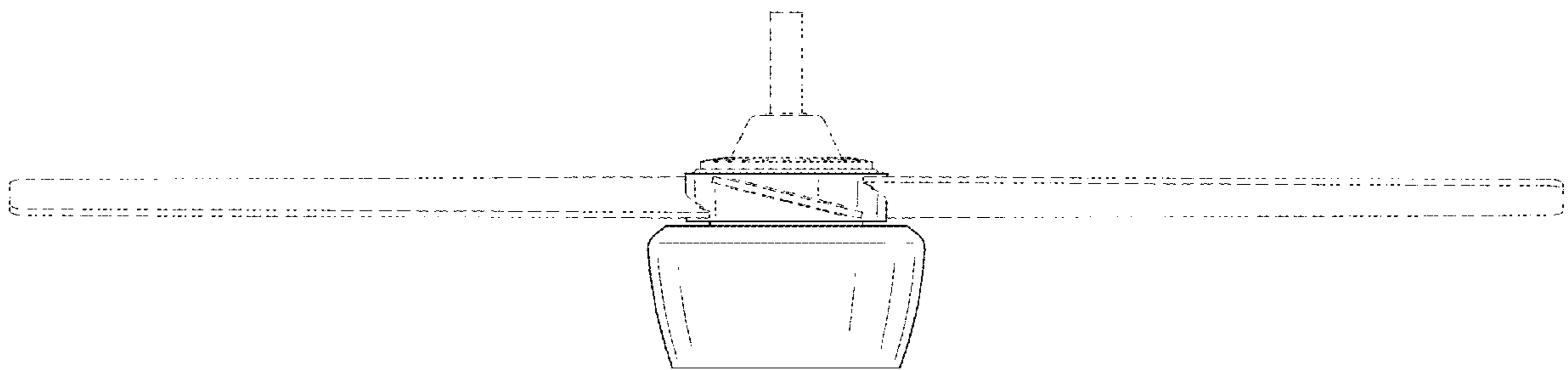


FIG. 5

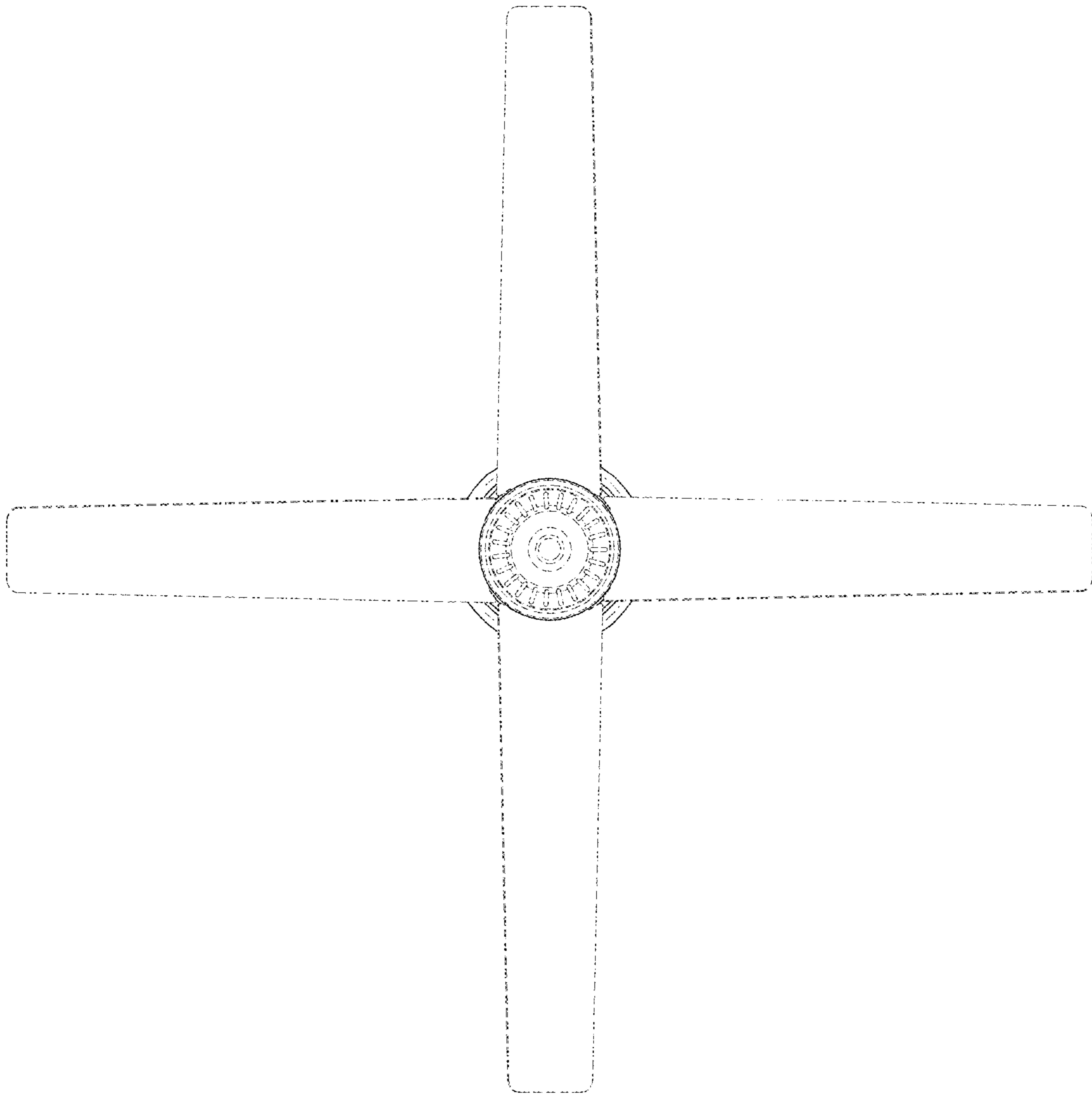


FIG. 6

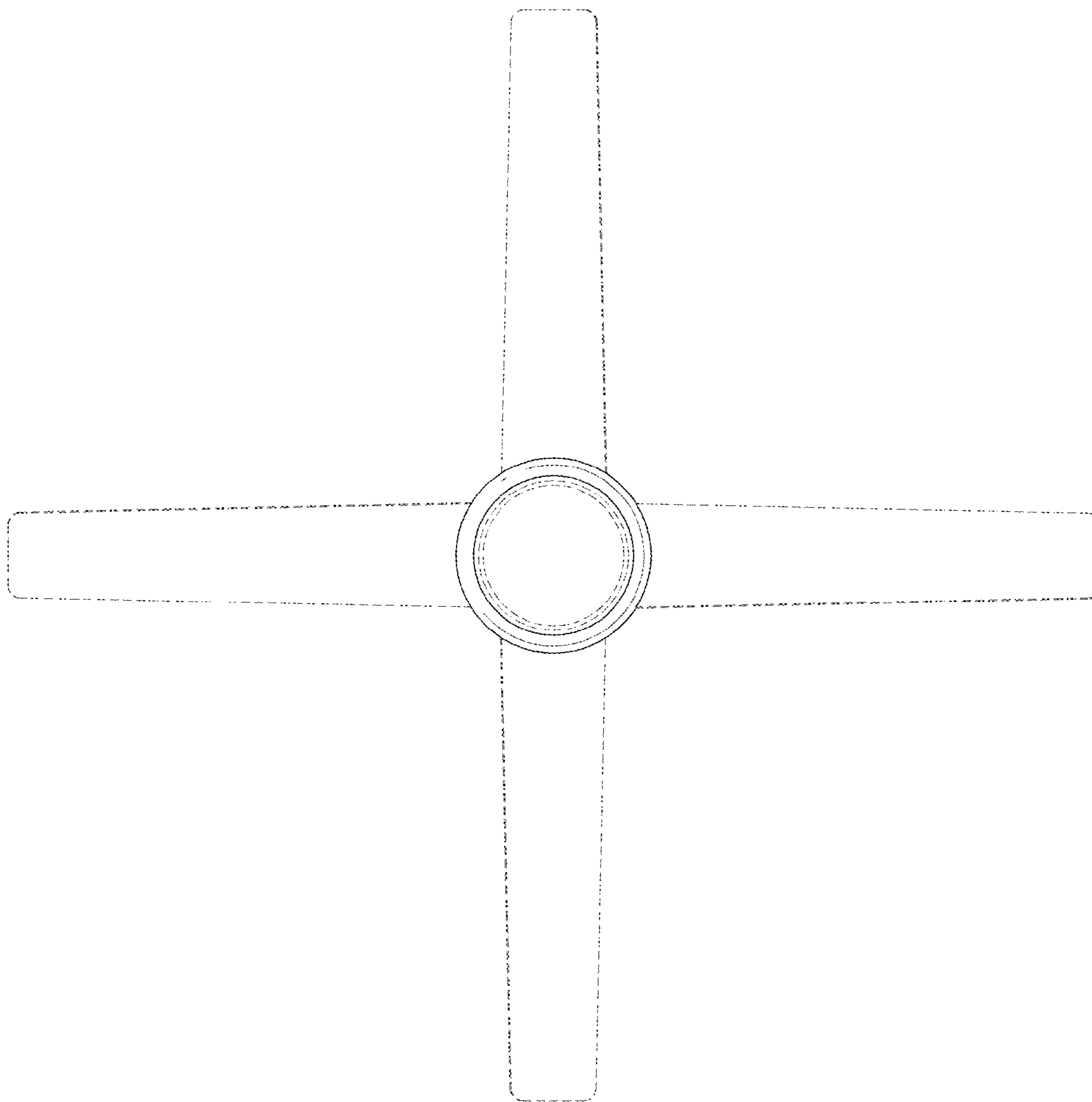


FIG. 7

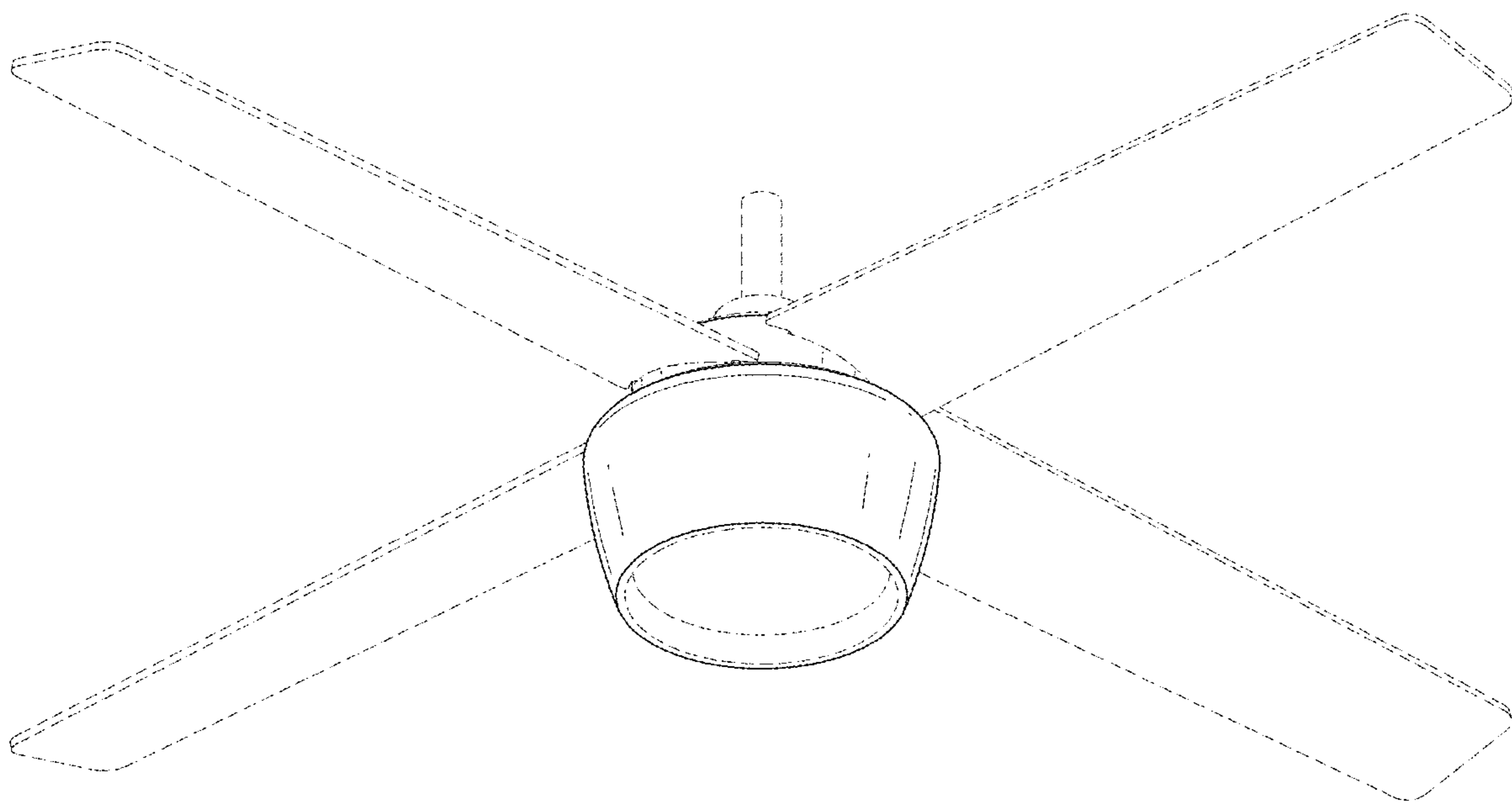


FIG. 8