



US00D948022S

(12) **United States Design Patent**
McRoberts

(10) **Patent No.:** **US D948,022 S**

(45) **Date of Patent:** **** Apr. 5, 2022**

(54) **CEILING FAN**

(71) Applicant: **Hunter Fan Company**, Memphis, TN
(US)

(72) Inventor: **Claire Bernice McRoberts**, Memphis,
TN (US)

(73) Assignee: **Hunter Fan Company**, Memphis, TN
(US)

(**) Term: **15 Years**

(21) Appl. No.: **29/706,306**

(22) Filed: **Sep. 19, 2019**

(51) **LOC (13) Cl.** **23-04**

(52) **U.S. Cl.**
USPC **D23/377**

(58) **Field of Classification Search**
USPC D23/370, 377, 379, 385, 411-414;
D26/59
CPC F04D 25/088; F04D 29/38; F04D 29/384;
F04D 29/386; F21V 33/0096
See application file for complete search history.

(56) **References Cited**

U.S. PATENT DOCUMENTS

D377,975 S	2/1997	Young
D483,847 S	12/2003	Tai
D504,173 S	4/2005	Cohen
D594,551 S	6/2009	Parker et al.
D596,734 S	7/2009	Kihara
D597,198 S	7/2009	Parker et al.
7,665,967 B1	2/2010	Parker et al.
D615,183 S	5/2010	Parker et al.
D628,687 S	12/2010	Yao
D628,688 S	12/2010	Pan
7,927,071 B2	4/2011	Parker et al.
D679,795 S	4/2013	Allen et al.
D707,336 S	6/2014	Pan
D715,917 S	10/2014	Hidalgo

D743,528 S	11/2015	Wang
D744,083 S	11/2015	Wang
D744,084 S	11/2015	Wang
D745,658 S	12/2015	Wang
D756,503 S	5/2016	Wang
D785,156 S	4/2017	Wang
D789,511 S	6/2017	Wang
D795,411 S	8/2017	Wang
D800,891 S	10/2017	McRoberts et al.
D805,174 S	* 12/2017	Guthrie D23/377

(Continued)

OTHER PUBLICATIONS

<http://www.fanimation.com/products/index.php/fans/berlin.html>,
Fanimation Bedin 52-in Brushed Nickel Indoor Outdoor Downrod
Mount Ceiling Fan with Light Kit, Model No. LP8064, accessed
Jun. 26, 2018.

(Continued)

Primary Examiner — Sharon S Oum

(74) *Attorney, Agent, or Firm* — McGarry Bair PC

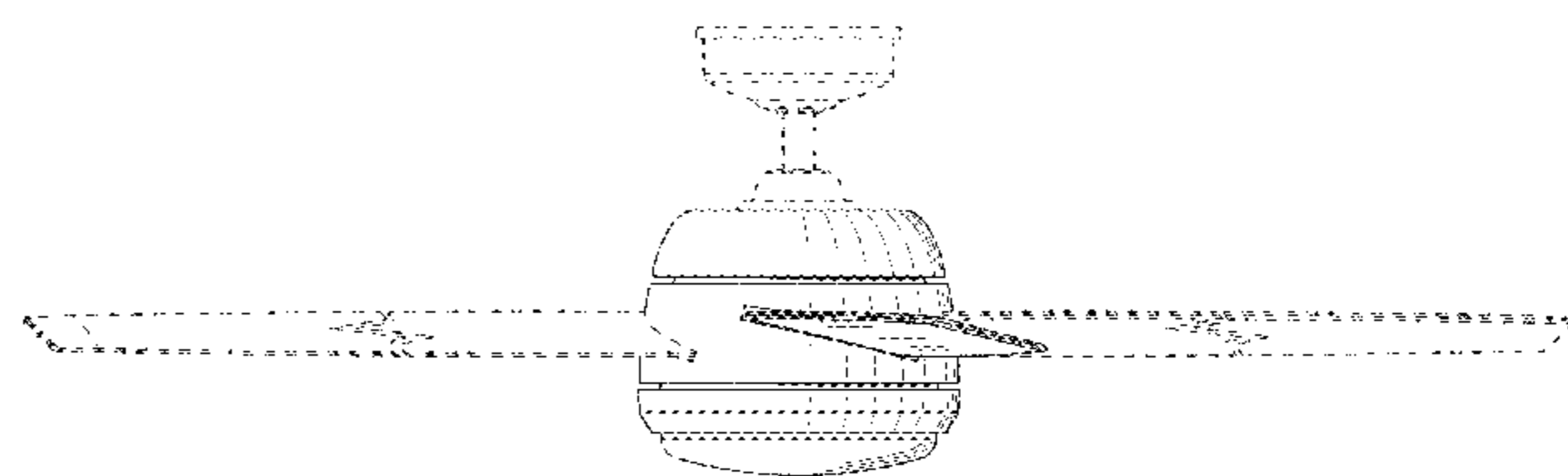
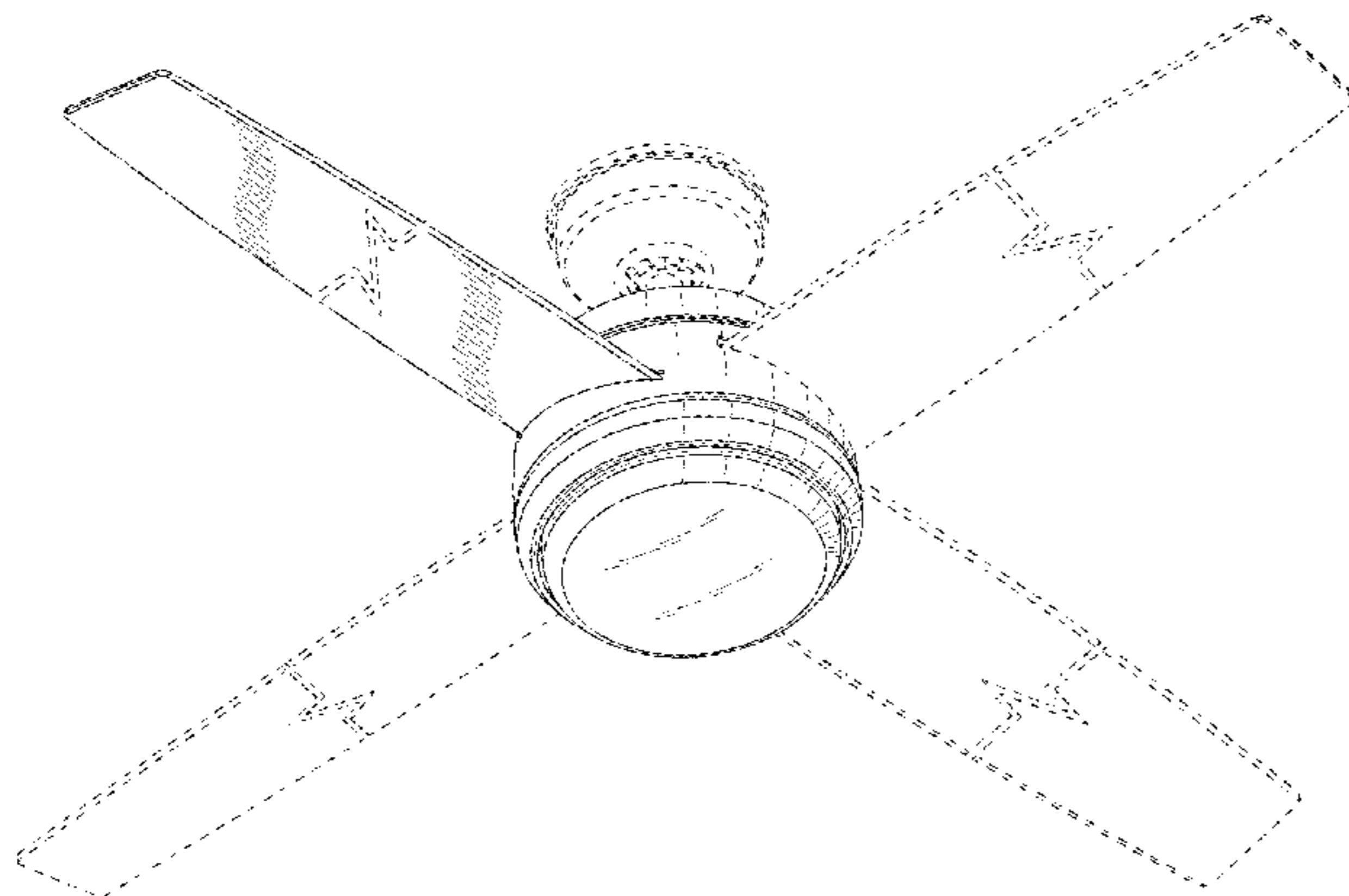
(57) **CLAIM**

The ornamental design for a ceiling fan, as shown and
described.

DESCRIPTION

FIG. 1 is a top perspective view of a ceiling fan, showing my
new design;
FIG. 2 is a bottom perspective view thereof;
FIG. 3 is a top view thereof;
FIG. 4 is a bottom view thereof; and,
FIG. 5 is a side view thereof.
Portions of the ceiling fan shown in broken lines form no
part of the claimed design.
Jagged break lines represent broken away symbols and form
no part of the claimed design. The appearance of any portion
of the ceiling fan blades between jagged break lines forms
no part of the claimed design.

1 Claim, 5 Drawing Sheets



(56)

References Cited

U.S. PATENT DOCUMENTS

D805,175 S 12/2017 Haggar
 D810,915 S 2/2018 Guthrie et al.
 D810,920 S * 2/2018 Haggar D23/377
 D844,769 S * 4/2019 McRoberts D23/411
 D872,252 S * 1/2020 McRoberts D23/377
 D874,634 S * 2/2020 Haggar D23/377
 D877,309 S * 3/2020 Pickett D23/377
 D880,684 S * 4/2020 Norwood D23/413
 D886,980 S * 6/2020 McRoberts D23/377
 D900,301 S * 10/2020 Haggar D23/411
 D921,181 S * 6/2021 Haggar D23/377
 11,111,930 B2 * 9/2021 Norwood F04D 29/384

OTHER PUBLICATIONS

<https://www.hunterfan.com/ceiling-fans/avia-with-light-grey-oak-54-inch-fam970>, Hunter Avia with Light Grey Oak 54 inch Ceiling Fan, Item No. 59253, accessed Jun. 26, 2018.

<http://www.kichler.com/products/product/38-in-pc-blade-for-arkwright-obb-370028obb.aspx>, Kichler Arkwright Collection 38 In. Pc Blade for Arkwright OBB, Model No. 3700280BB, accessed Jun. 26, 2018.

<https://www.hunterfan.com/ceiling-fans/aker-with-led-light-36-inch-fam812>, Hunter Aker with LED Light 36 inch Ceiling Fan, Item No. 59303, accessed Jun. 28, 2018.

<https://www.hunterfan.com/ceiling-fans/parmer-low-profile-with-light-46-inch-fam816>, Hunter Parmer Low Profile with Light 46 inch Ceiling Fan, Item No. 59166, accessed Jun. 26, 2018.

<http://www.kichler.com/products/product/60-starkk-led-ceiling-fan-nbr-330180nbr.aspx>, Kichler Starkk Collection 60" Starkk LED Ceiling Fan NBR, Model No. 330180NBR, accessed Jun. 26, 2018.

<https://www.lowes.com/pd/Harbor-Breeze-Beach-Creek-44-in-Brushed-Nickel-LED-Indoor-Ceiling-Fan-with-Light-Kit-and-Remote-3-Blade/1000181467>, Harbor Breeze Beach Creek 44-in Brushed Nickel LED Indoor Ceiling Fan with Light Kit and Remote, Model No. TG44BNK3D1RC, accessed Jun. 26, 2018.

<https://www.lowes.com/pd/Harbor-Breeze-Sauble-Beach-44-in-Brushed-Nickel-Indoor-Ceiling-Fan-with-Light-Kit-and-Remote-3-Blade/1000124873>, Harbor Breeze Sauble Beach 44-in Brushed Nickel Indoor Ceiling Fan with Light Kit and Remote (3 Blade), Model No. 40652, accessed Jun. 26, 2018.

<http://www.montecarlofans.com/53839/60-Owen---Brushed-Steel-3OWR60BSD.html>, Monte Carlo 60" Owen—Brushed Steel, Product No. 3OWR60BSD, accessed Jun. 26, 2018.

<http://ceilingfans.emerson.com/en-us/shop/fan/fan-cf930>, Emerson Atomical 52-in with light fixture and remote, Model No. CF930, accessed Jun. 26, 2018.

<http://www.fanimation.com/products/index.php/xeno.html>, FANIMATION Xeno 3 speed Indoor/Outdoor Ceiling Fan, Model No. FP6728, accessed Jun. 26, 2018.

<https://www.menards.com/main/lighting-ceiling-fans/ceiling-fans/shop-all-ceiling-fans/turn-of-the-century-reg-montego-bay-52-weathered-copper-wet-rated-ceiling-fan/p-1444424537879-c-7487.htm?tid=70857110150563470>, Turn of the Century Montego Bay 52" Weathered Copper Transitional Wet-Rated Ceiling Fan, Model No. CP152115, accessed Jun. 26, 2018.

<http://www.kichler.com/products/product/56-ellys-ceiling-fan-ni-300239ni.aspx>, Kichler Ellys Collection, 56" Ellys Ceiling Fan in Brushed Nickel, Model No. 300239NI, accessed Jun. 26, 2018.

http://www.cens.com/cens/html/en/product/product_main_77133.html, Air Cool Industrial Co., Ltd., Phoenix-Contemporary Series, Model No. F527, accessed Jun. 26, 2018.

http://www.quoruminternational.com/search_result.asp?params=ENumber:68524-62, Quorum International Quest 52" LED Ceiling Fan, Model No. 68524-62.

* cited by examiner

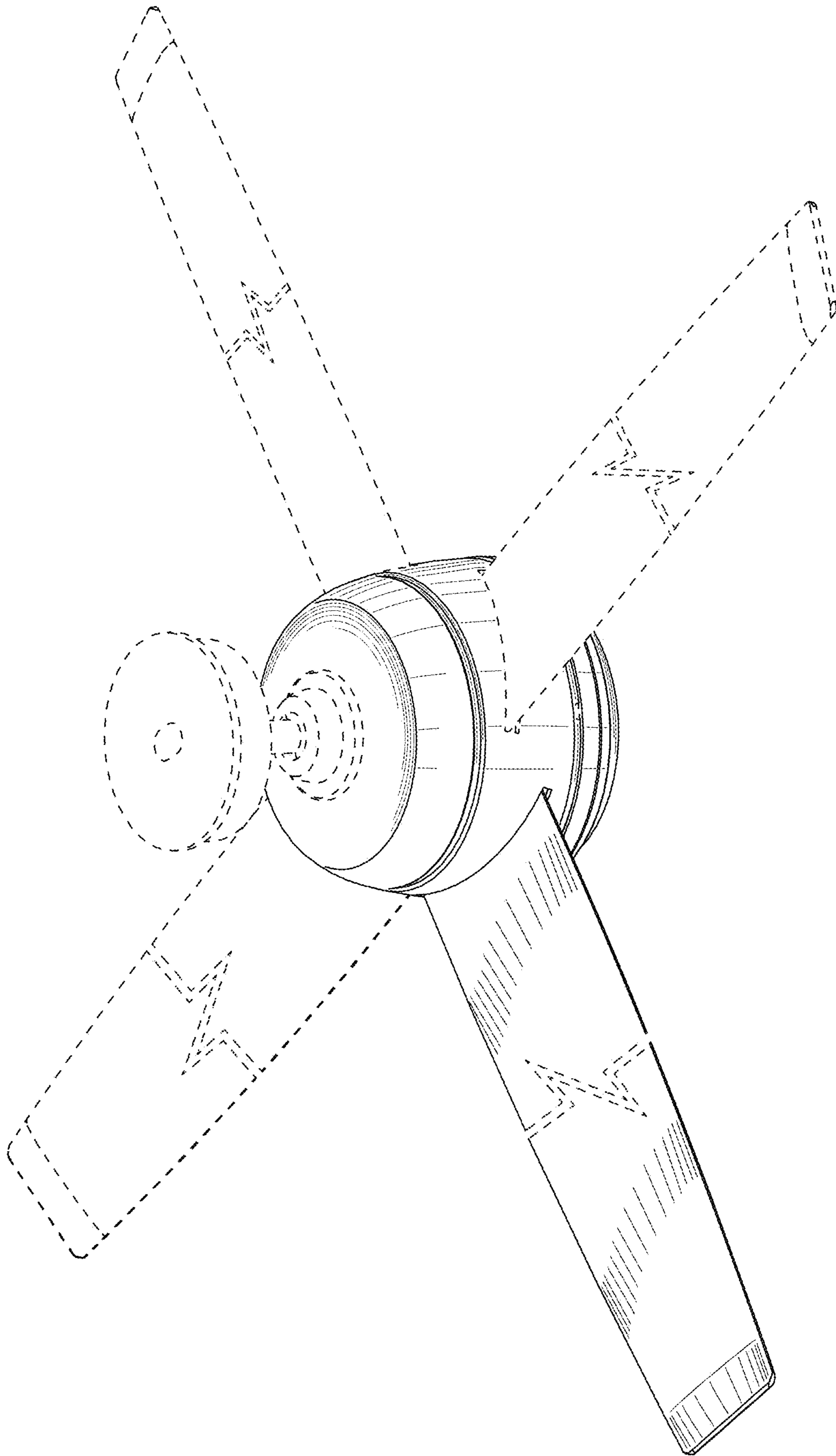


FIG. 1

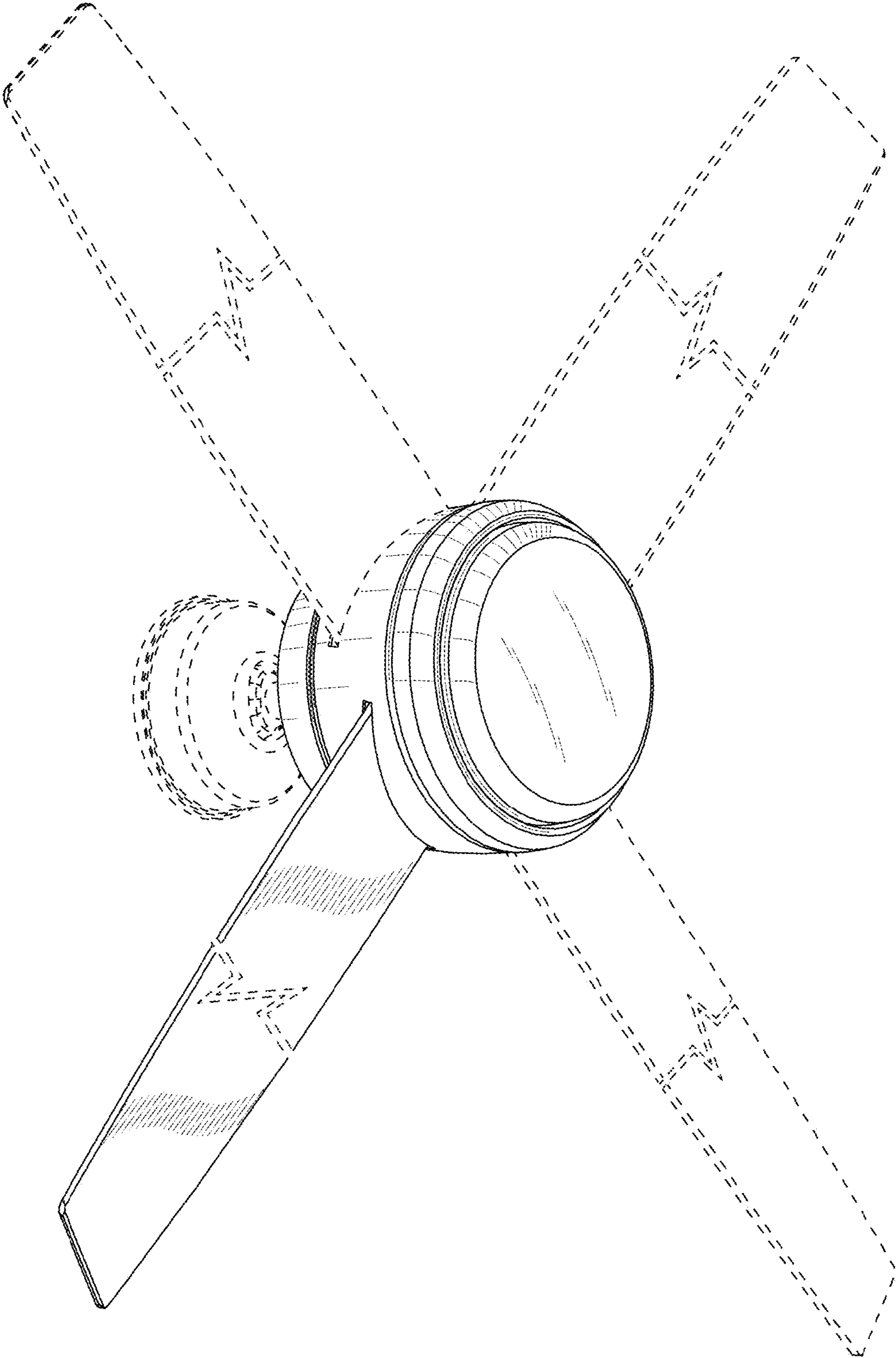


FIG. 2

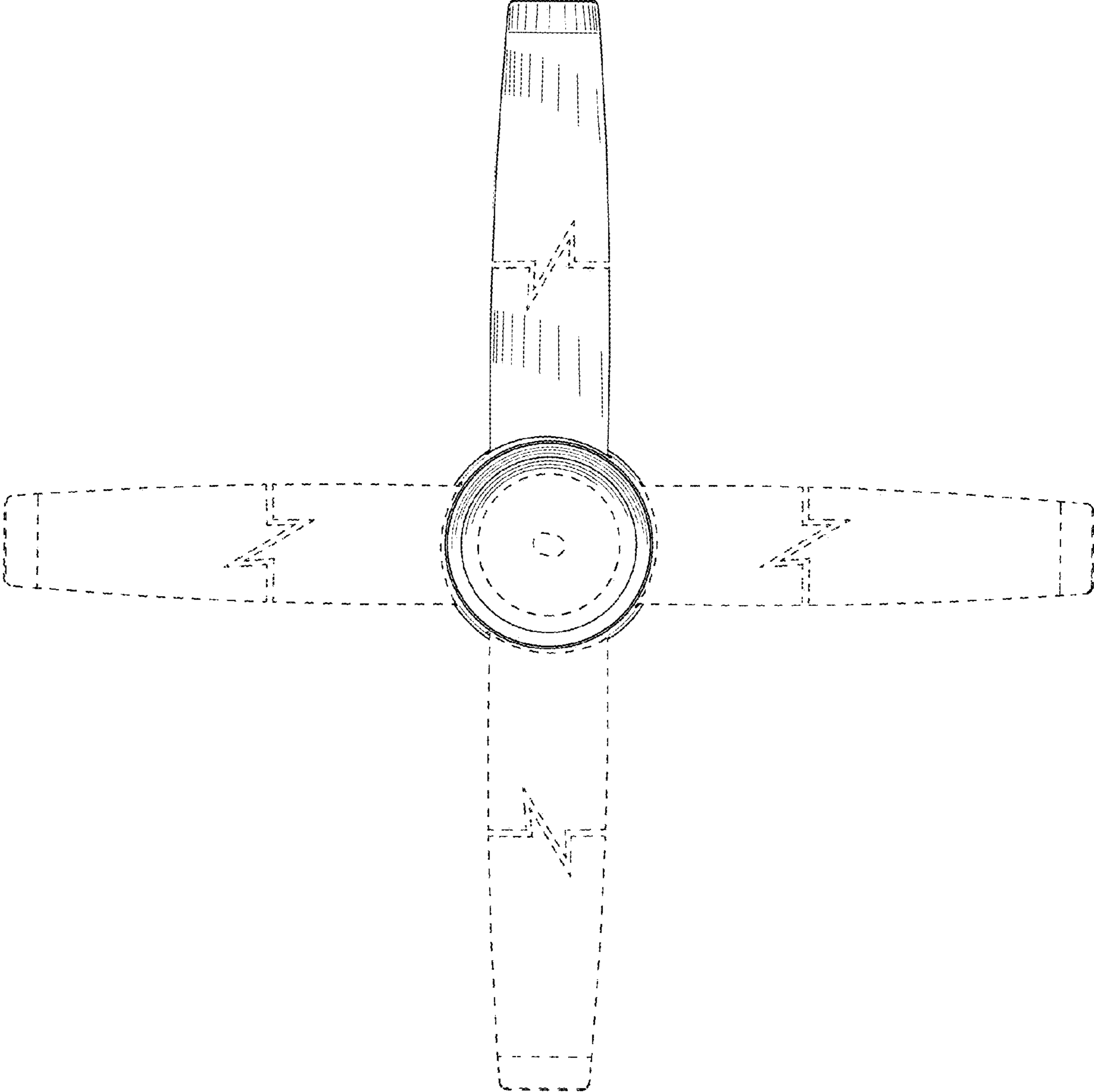


FIG. 3

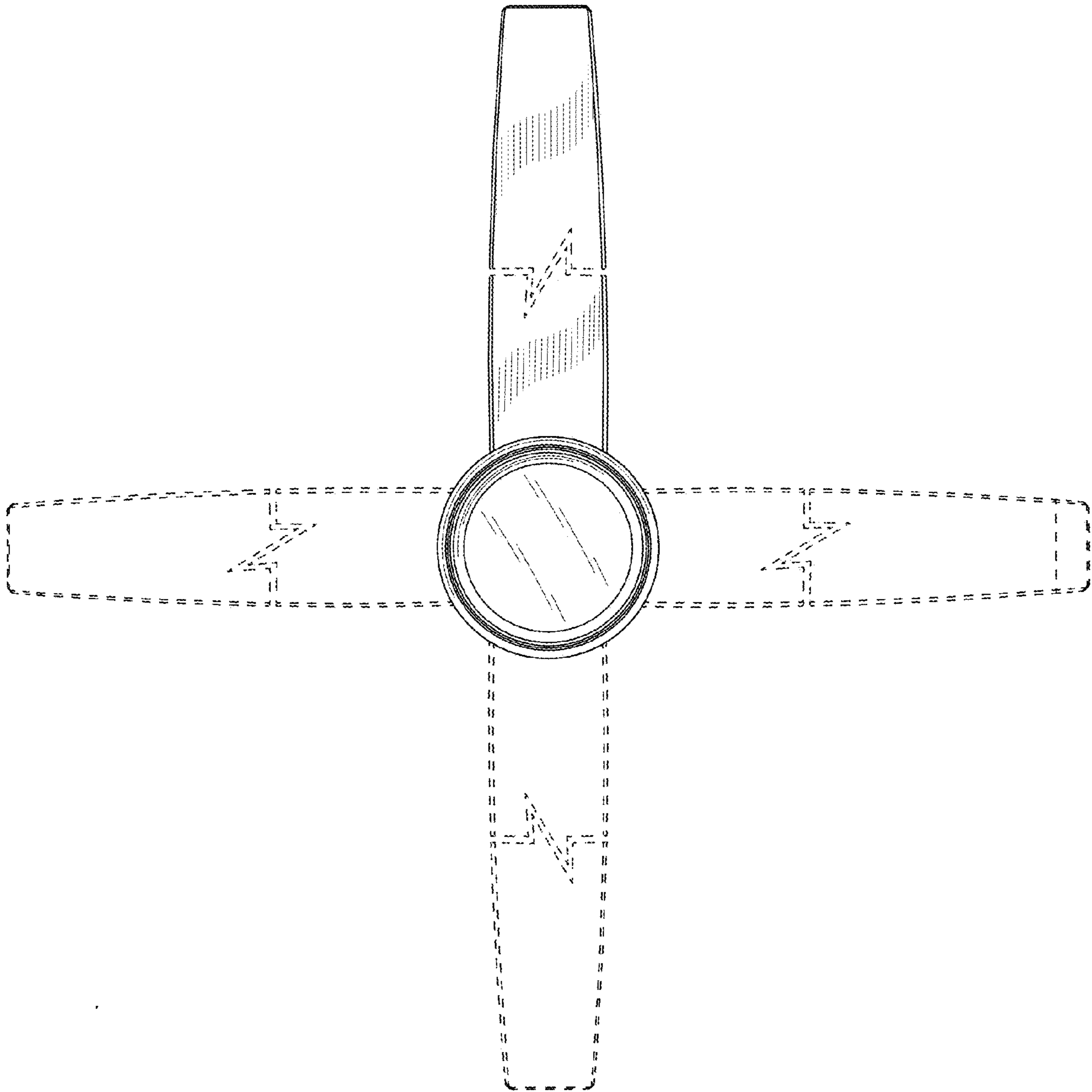


FIG. 4

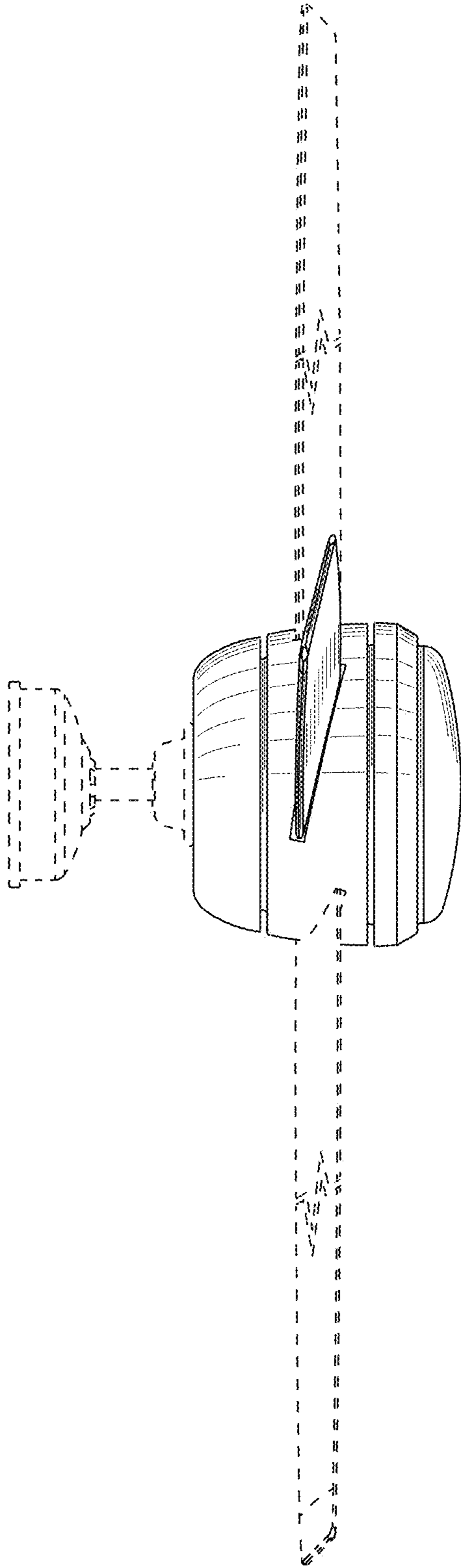


FIG. 5