



US00D948021S

(12) **United States Design Patent**
Morton

(10) **Patent No.:** **US D948,021 S**
(45) **Date of Patent:** **** Apr. 5, 2022**

- (54) **SCENT CARTRIDGE HOUSING**
- (71) Applicant: **William Morton**, Cincinnati, OH (US)
- (72) Inventor: **William Morton**, Cincinnati, OH (US)
- (**) Term: **15 Years**
- (21) Appl. No.: **29/736,965**
- (22) Filed: **Jun. 4, 2020**
- (51) **LOC (13) Cl.** **23-04**
- (52) **U.S. Cl.**
USPC **D23/366**
- (58) **Field of Classification Search**
USPC D23/200, 207, 209, 260, 261, 332, 333,
D23/351-367, 370, 388, 393, 397, 412;
D24/162
CPC ... A61L 9/00; A61L 9/02; A61L 9/012; A61L
9/03; A61L 9/032; A61L 9/035; A61L
9/037; A61L 9/04; A61L 9/12; A61L
9/122; A61L 2209/16; F24F 3/00; F24F
3/12; F24F 3/14; F24F 3/16; F24F 8/20;
F24F 8/80; F24F 8/108; F24F 13/04;
F24F 13/24; F24F 13/082; F24F 13/0263;
F24F 13/0083; B01D 46/0002; B01D
46/0005; B01D 46/0006; B01D 46/0008;
B01D 46/0009; B01D 46/0013; B01D
46/0015; B01D 46/10; B01D 46/12;
B01D 46/2422; B01D 46/4236; B01D
46/521; B01D 2267/60; B01D 27/00
See application file for complete search history.

- 5,863,310 A 1/1999 Brown
- 5,968,217 A * 10/1999 Stein B01D 46/0002
55/496
- 6,257,976 B1 * 7/2001 Richardson, III F24F 13/082
422/124
- D508,559 S 8/2005 Spiegel
- D719,253 S * 12/2014 Francescon D23/388
- D739,929 S * 9/2015 Schlegel D23/366
- D753,809 S * 4/2016 Schlegel D23/366
- 9,333,450 B2 5/2016 Hamlin
- 9,726,395 B2 8/2017 Hammer
- D800,887 S * 10/2017 Patton D23/366
- D801,512 S * 10/2017 Hall D23/388
- 2004/0223891 A1 11/2004 Brown
- 2018/0140735 A1 5/2018 Lalo

* cited by examiner

Primary Examiner — Gino Colan
Assistant Examiner — David Obrien

(57) **CLAIM**

The ornamental design for a scent cartridge housing, as shown and described.

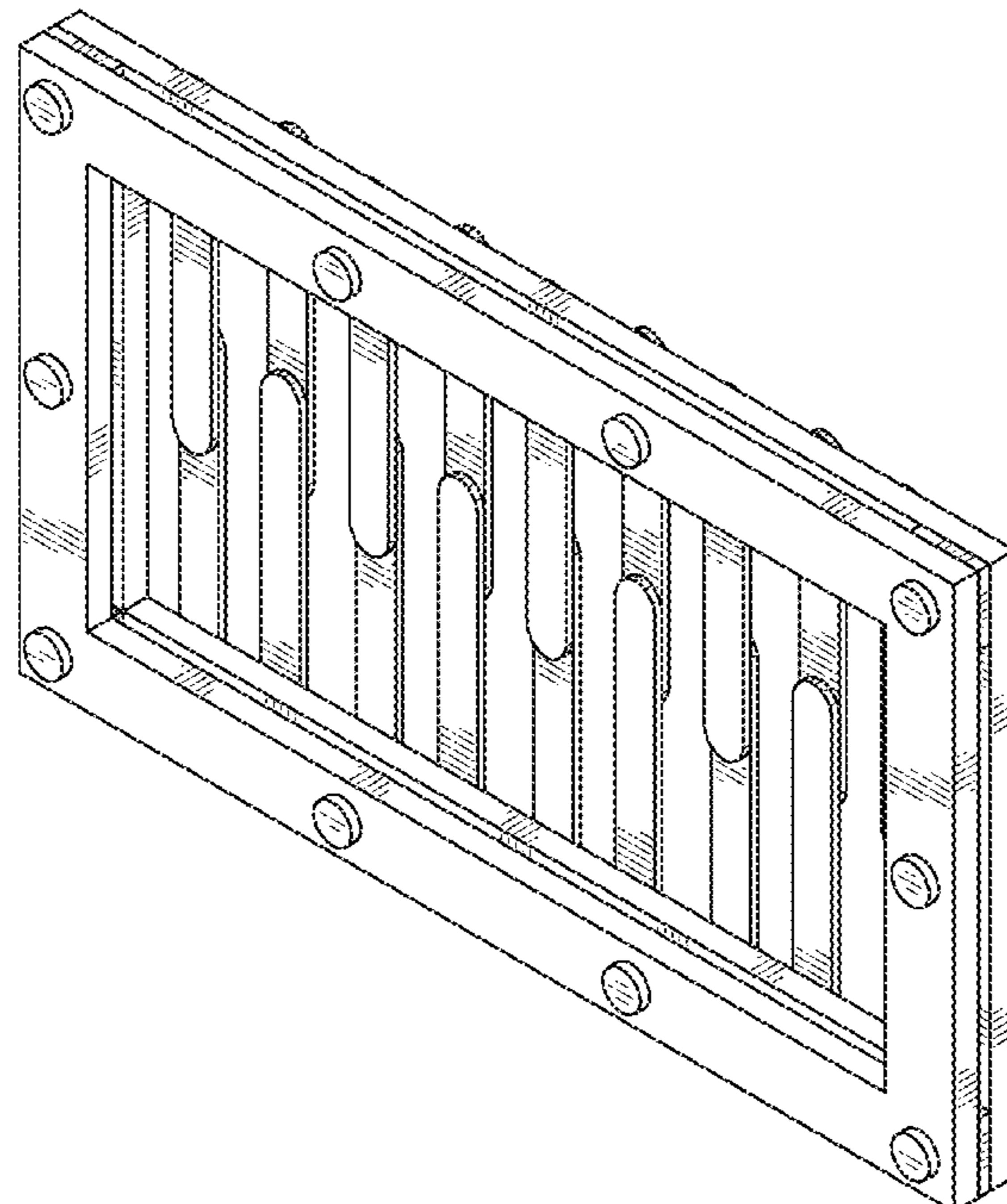
DESCRIPTION

FIG. 1 is a front view of a scent cartridge housing showing my new design;
 FIG. 2 is a rear view of the scent cartridge housing;
 FIG. 3 is a right side view of the scent cartridge housing;
 FIG. 4 is a left side view of the scent cartridge housing;
 FIG. 5 is a top view of the scent cartridge housing;
 FIG. 6 is a bottom view of the scent cartridge housing;
 FIG. 7 is a top front side perspective view of the scent cartridge housing; and,
 FIG. 8 is a bottom rear side perspective view of the scent cartridge housing.

(56) **References Cited**
U.S. PATENT DOCUMENTS

- 5,240,487 A 8/1993 Kung
- 5,704,832 A 1/1998 Borrell

1 Claim, 4 Drawing Sheets



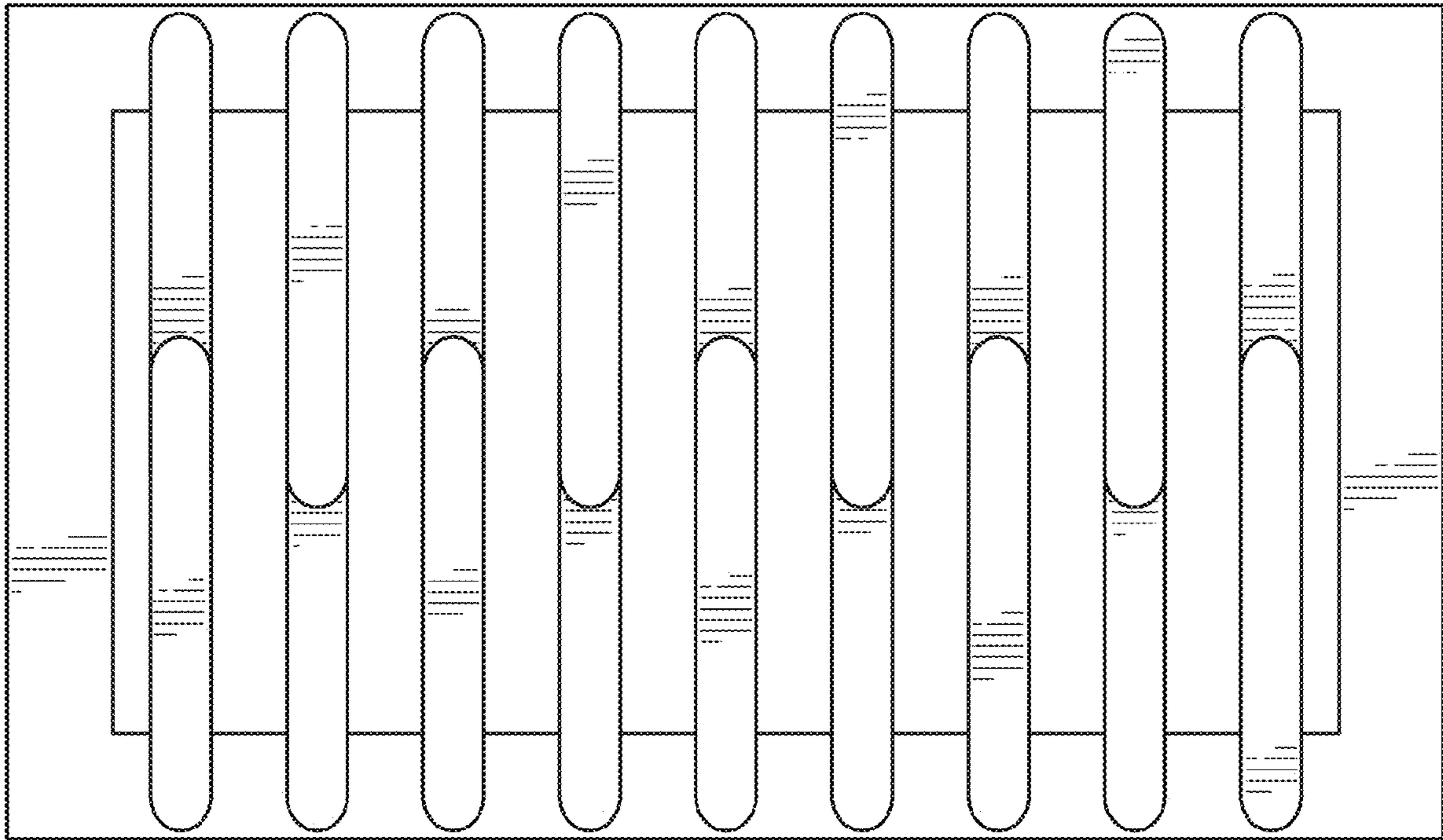


FIG. 1

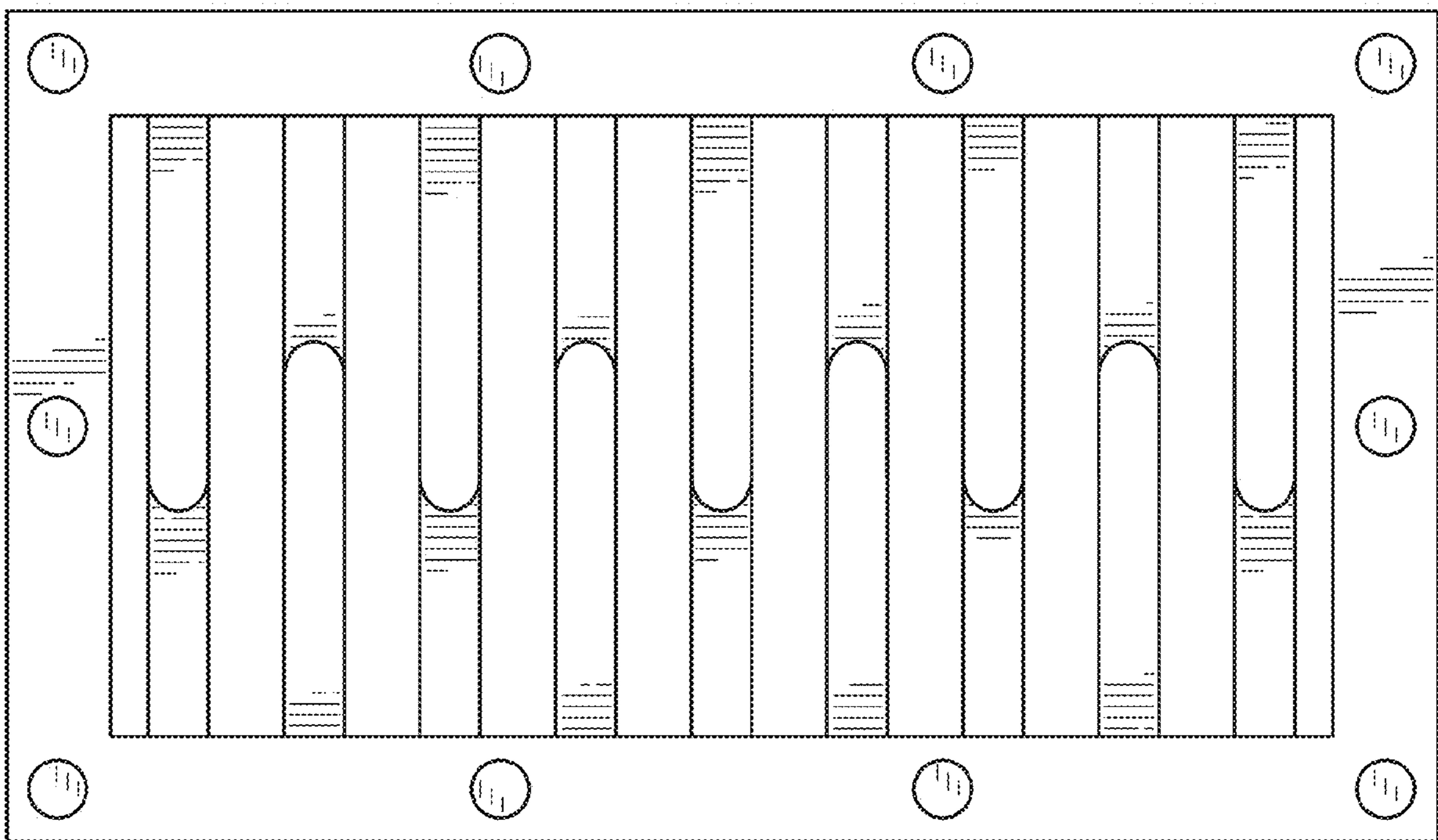


FIG. 2

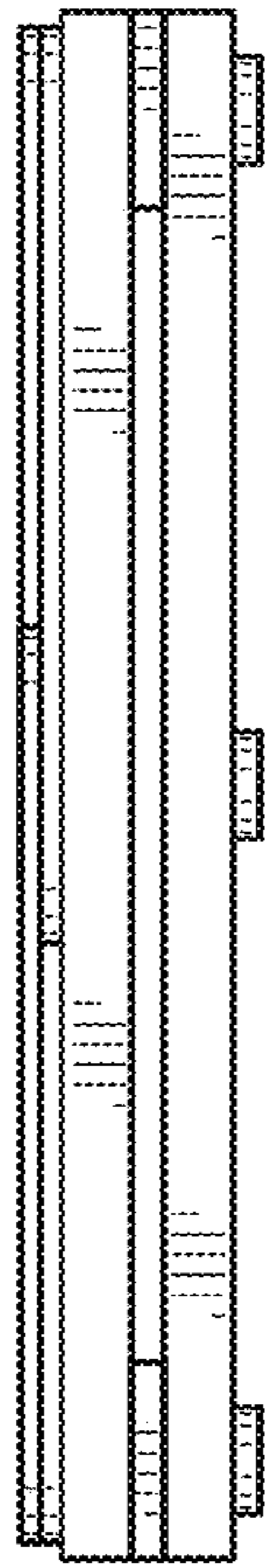


FIG. 3

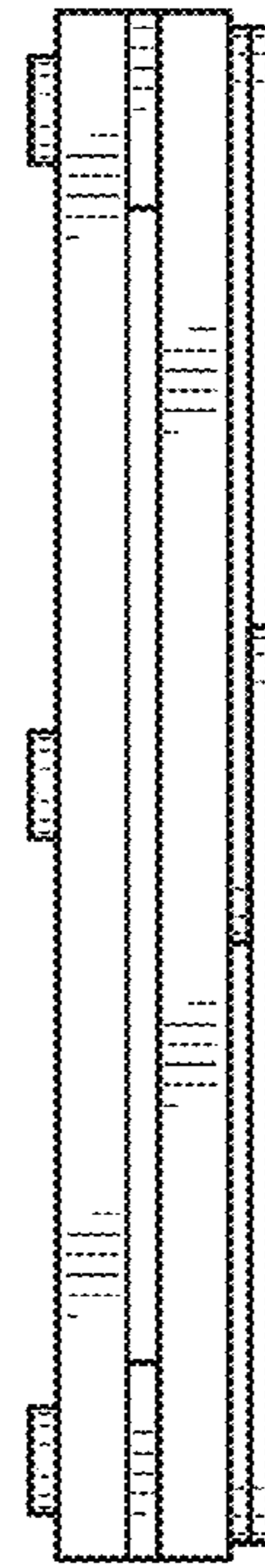


FIG. 4

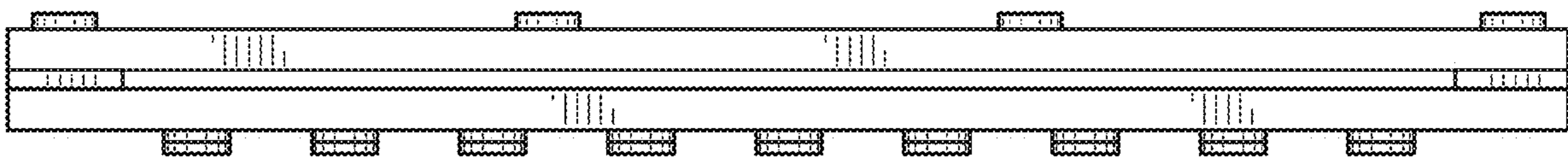


FIG. 5

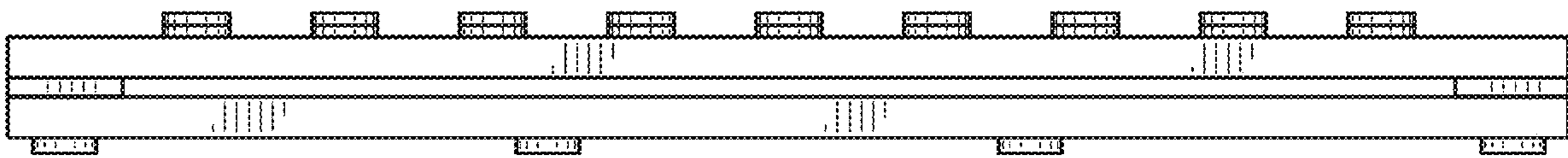


FIG. 6

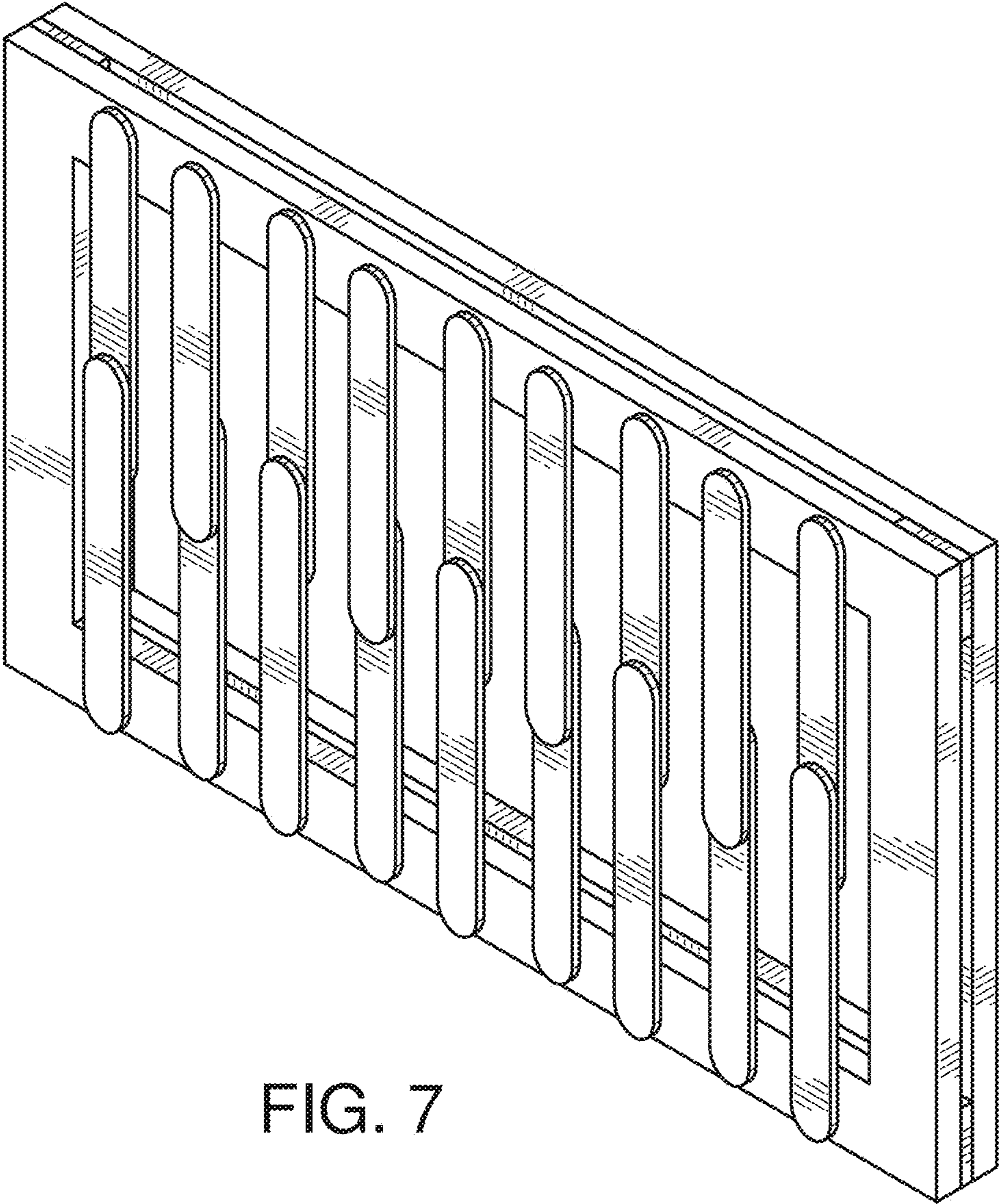


FIG. 7

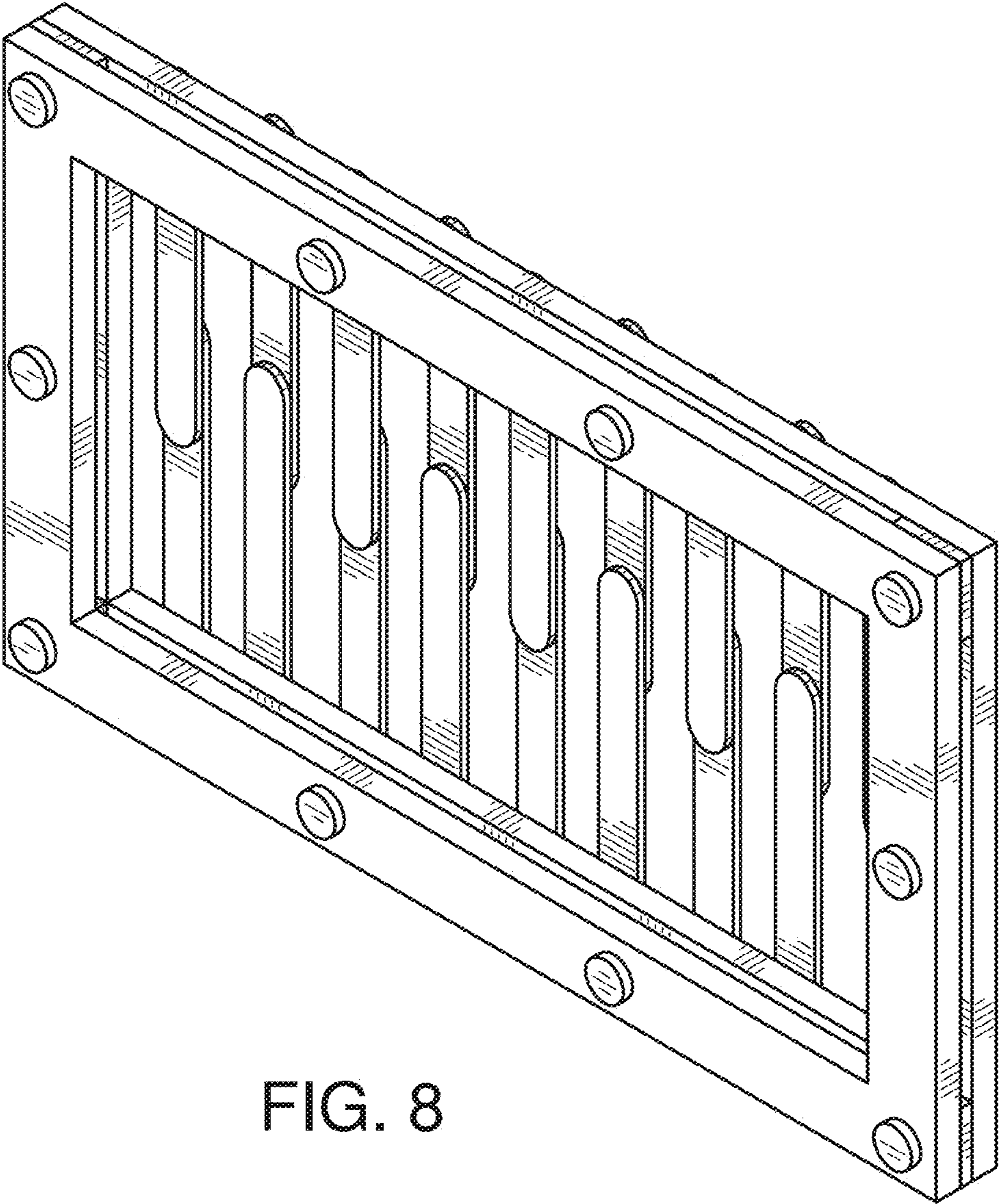


FIG. 8