



US00D948020S

(12) **United States Design Patent**
Bibi et al.

(10) **Patent No.:** **US D948,020 S**

(45) **Date of Patent:** **** Apr. 5, 2022**

(54) **AIR FRESHENER DEVICE**

(71) Applicant: **Agan Aroma & fine chemicals Ltd.**,
Ashdod (IL)

(72) Inventors: **Roni Bibi**, Tel-Mond (IL); **Ory Bosem**,
Shoham (IL); **Yoav Avidor**, Tel-Aviv
(IL)

(73) Assignee: **MoodoAIR Ltd.**, Hod HaSharon (IL)

(**) Term: **15 Years**

(21) Appl. No.: **29/715,195**

(22) Filed: **Nov. 28, 2019**

(30) **Foreign Application Priority Data**

May 30, 2019 (IL) 63768

(51) **LOC (13) Cl.** **23-04**

(52) **U.S. Cl.**
USPC **D23/366**

(58) **Field of Classification Search**
USPC D23/209, 355, 356, 358, 359, 360, 364,
D23/365, 366, 367; D99/5; D24/217;
D32/1

CPC . A61L 9/03; A61L 9/012; A61L 9/015; A61L
9/037; F41J 1/01

See application file for complete search history.

(56) **References Cited**

U.S. PATENT DOCUMENTS

D645,949	S	*	9/2011	Brandenburg	D23/366
D689,181	S	*	9/2013	Irvin	D23/366
D700,692	S	*	3/2014	Engelhardt	D23/360
D716,427	S	*	10/2014	Lim	D23/364
D810,260	S	*	2/2018	Sevy	D23/366
D834,694	S	*	11/2018	Walter	D23/366
D835,766	S	*	12/2018	Chen	D23/364
D853,547	S	*	7/2019	Avidor	D23/366
D886,268	S	*	6/2020	Montagnino	D23/356
D919,785	S	*	5/2021	Kaye	D23/366
2020/0222575	A1	*	7/2020	Rigby	A61L 9/122

OTHER PUBLICATIONS

Examination Report Dated Dec. 19, 2019 From the Government of
India, Patent Office, Intellectual Property Building Re. Application
No. 323596-001. (1 pages).

Office Action Dated Feb. 12, 2020 From the Israel Patent Office Re.
Application No. 63768. (2 pages).

* cited by examiner

Primary Examiner — John A Voytek

(57) **CLAIM**

The ornamental design for an air freshener device, as shown
and described.

DESCRIPTION

FIG. 1 is a bottom perspective view of an air freshener
device in an open position, showing our new design;

FIG. 2 is a bottom view of FIG. 1;

FIG. 3 is a top view of FIG. 1;

FIG. 4 is a front view of FIG. 1;

FIG. 5 is a left side view of FIG. 1;

FIG. 6 is a right side view of FIG. 1

FIG. 7 is a rear view of FIG. 1;

FIG. 8 is a perspective view of FIG. 1;

FIG. 9 is a bottom perspective view of an air freshener
device in a closed position, showing our new design;

FIG. 10 is a bottom view of FIG. 9;

FIG. 11 is a top view of FIG. 9;

FIG. 12 is a front view of FIG. 9;

FIG. 13 is a left side view of FIG. 9;

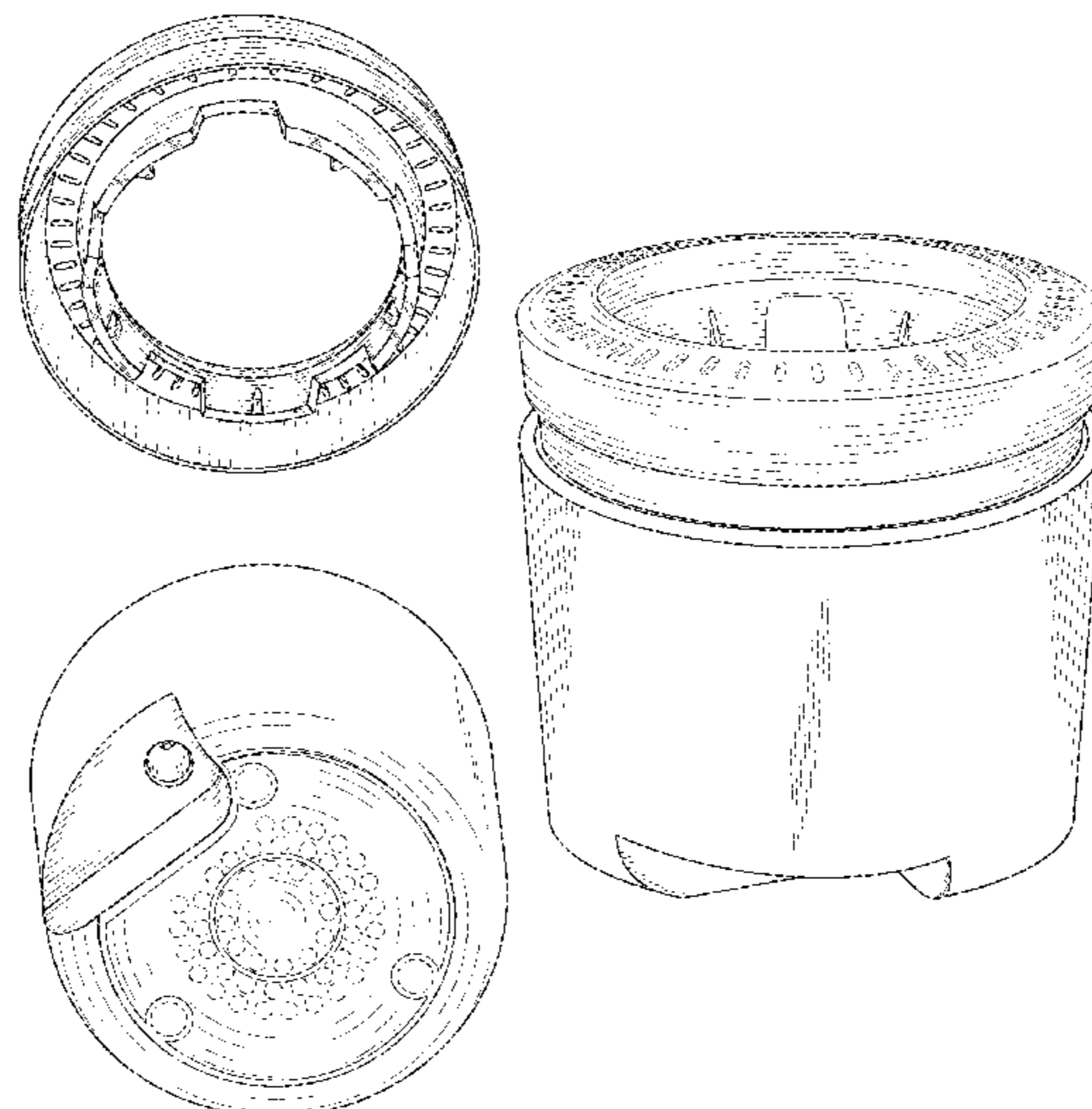
FIG. 14 is a right side view of FIG. 9;

FIG. 15 is a rear view of FIG. 9; and,

FIG. 16 is a perspective view of FIG. 9.

Broken lines in the drawings denote features of the air
freshener device that are included for the purpose of illus-
trating context, hut form no part of the claimed design.

1 Claim, 16 Drawing Sheets



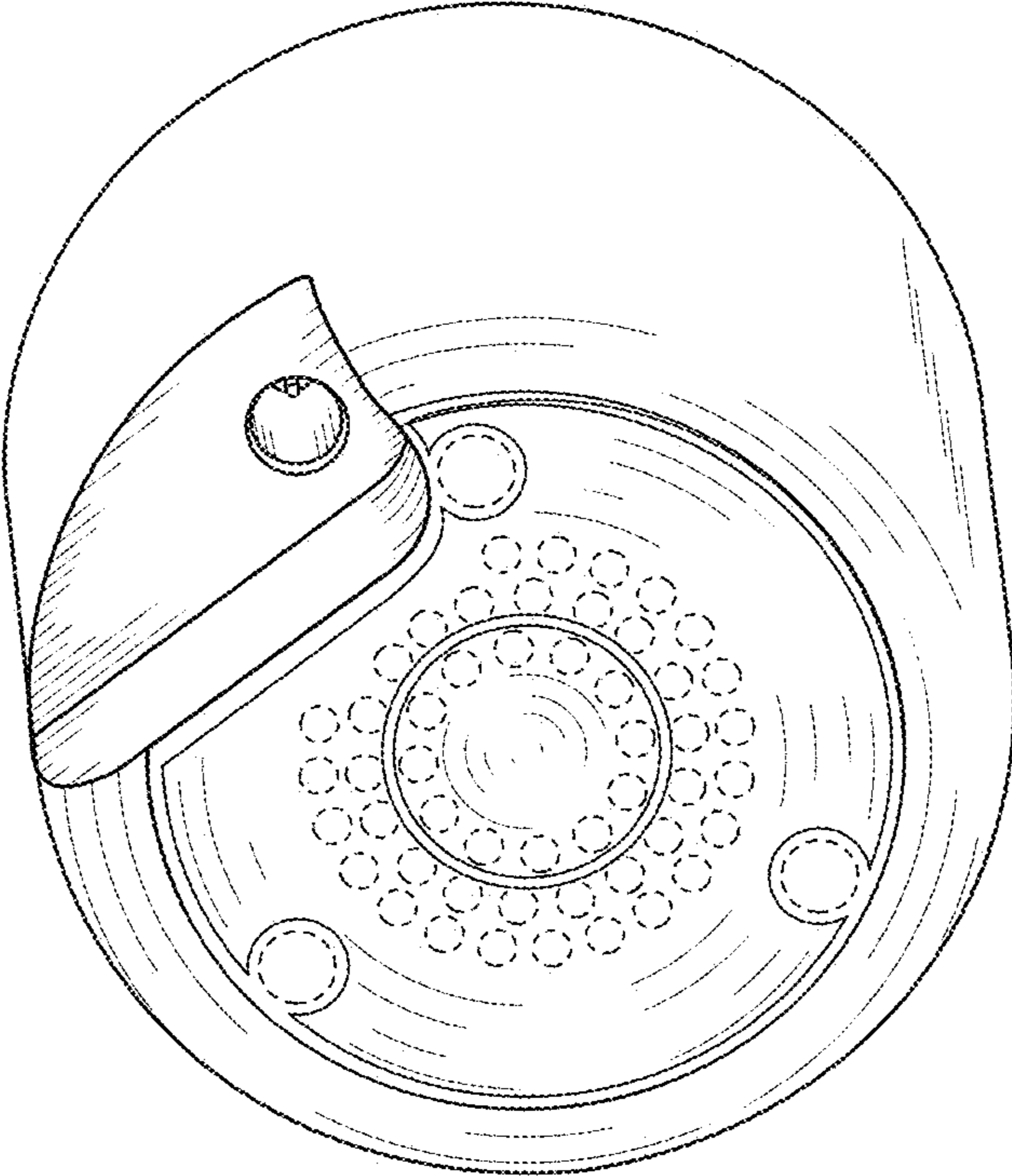
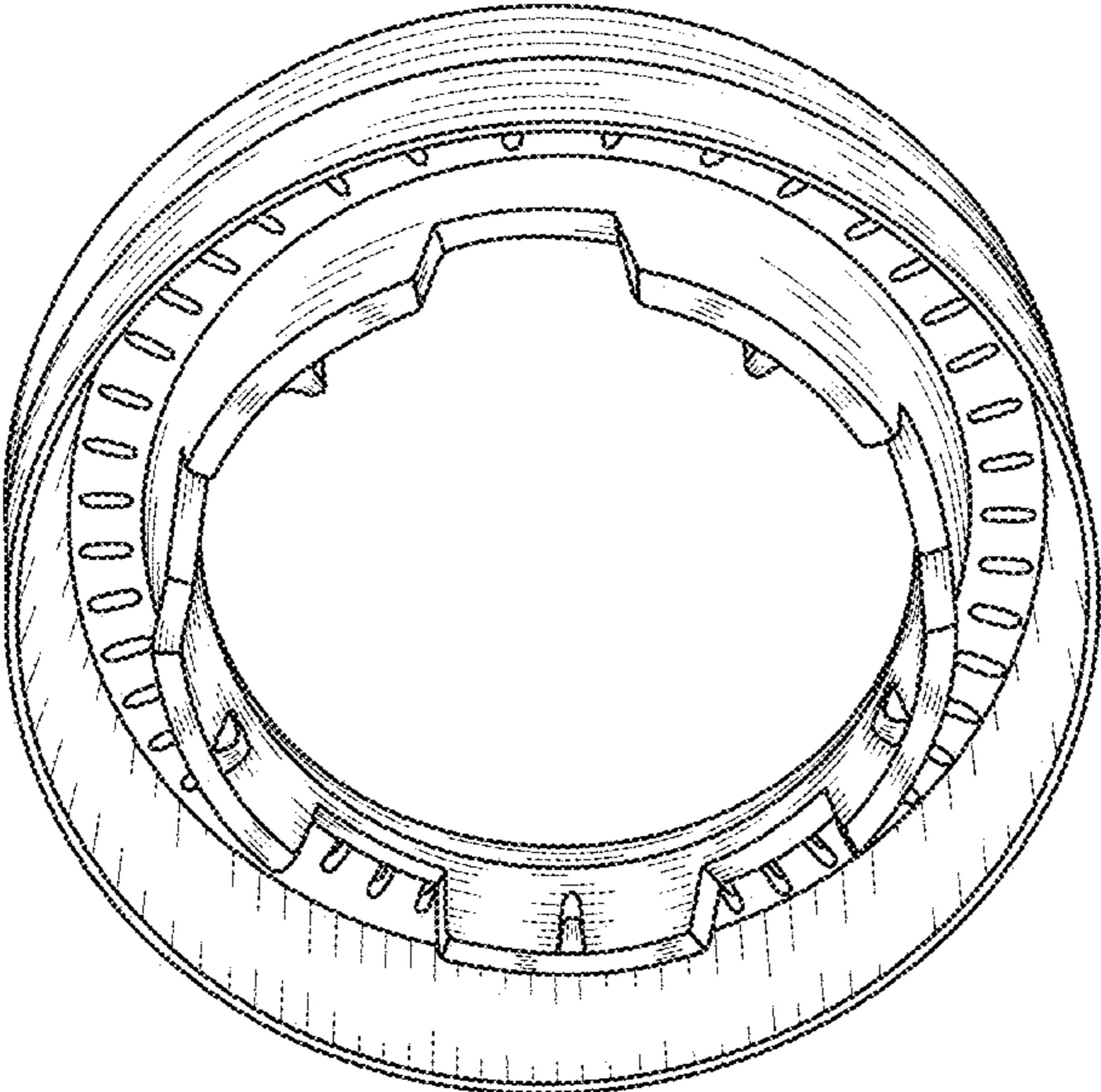


FIG. 1

FIG. 2

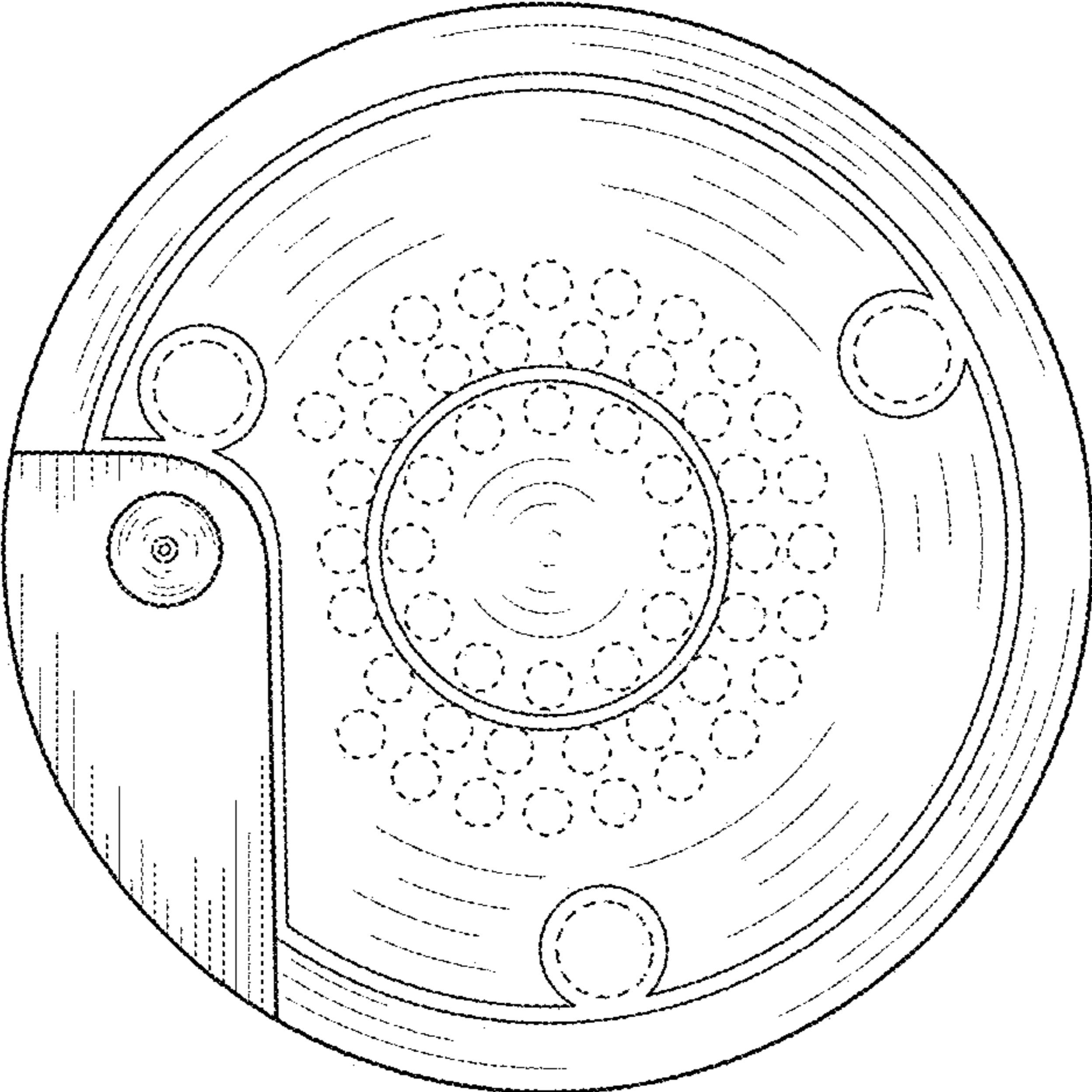
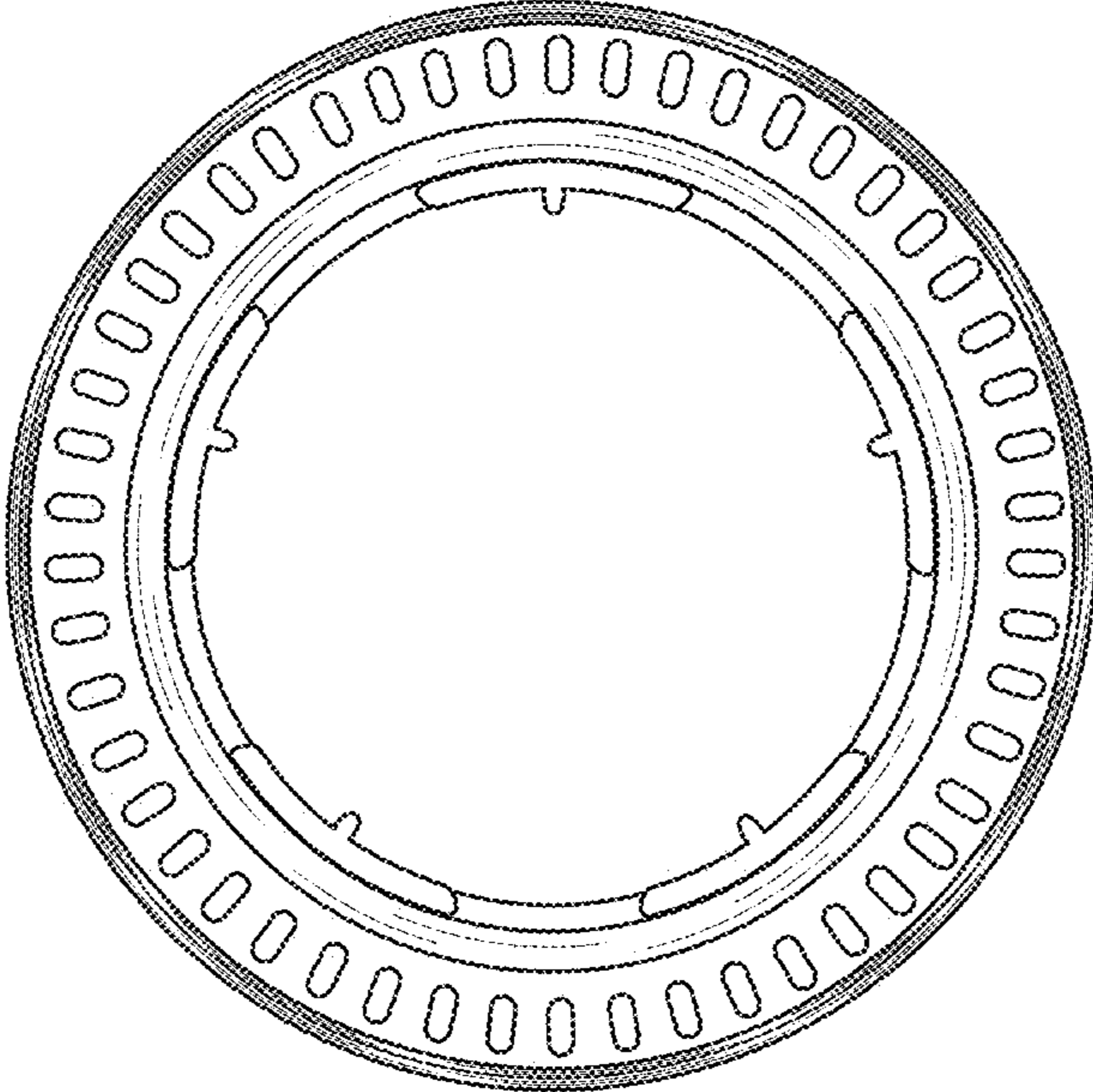


FIG. 3

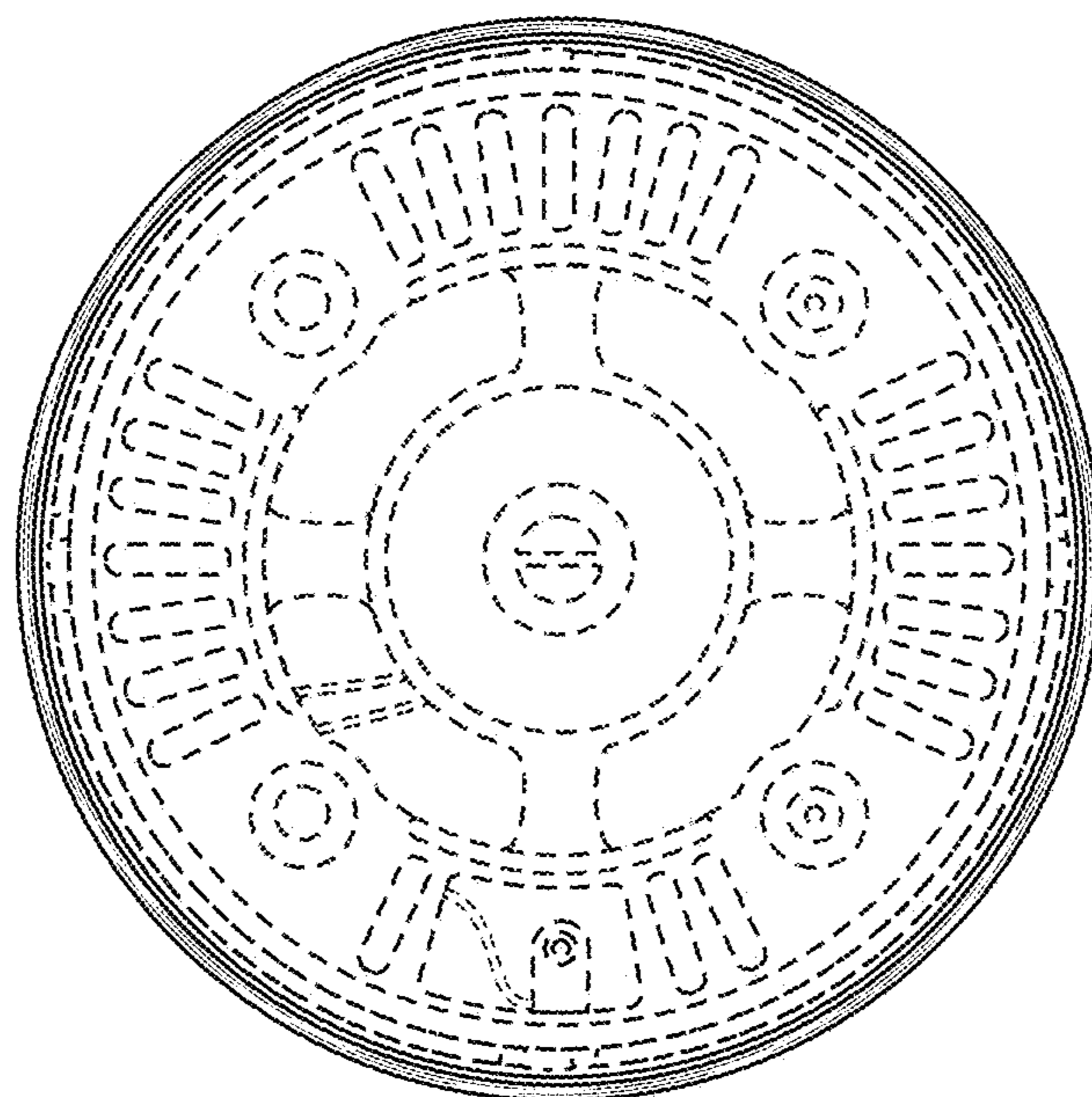
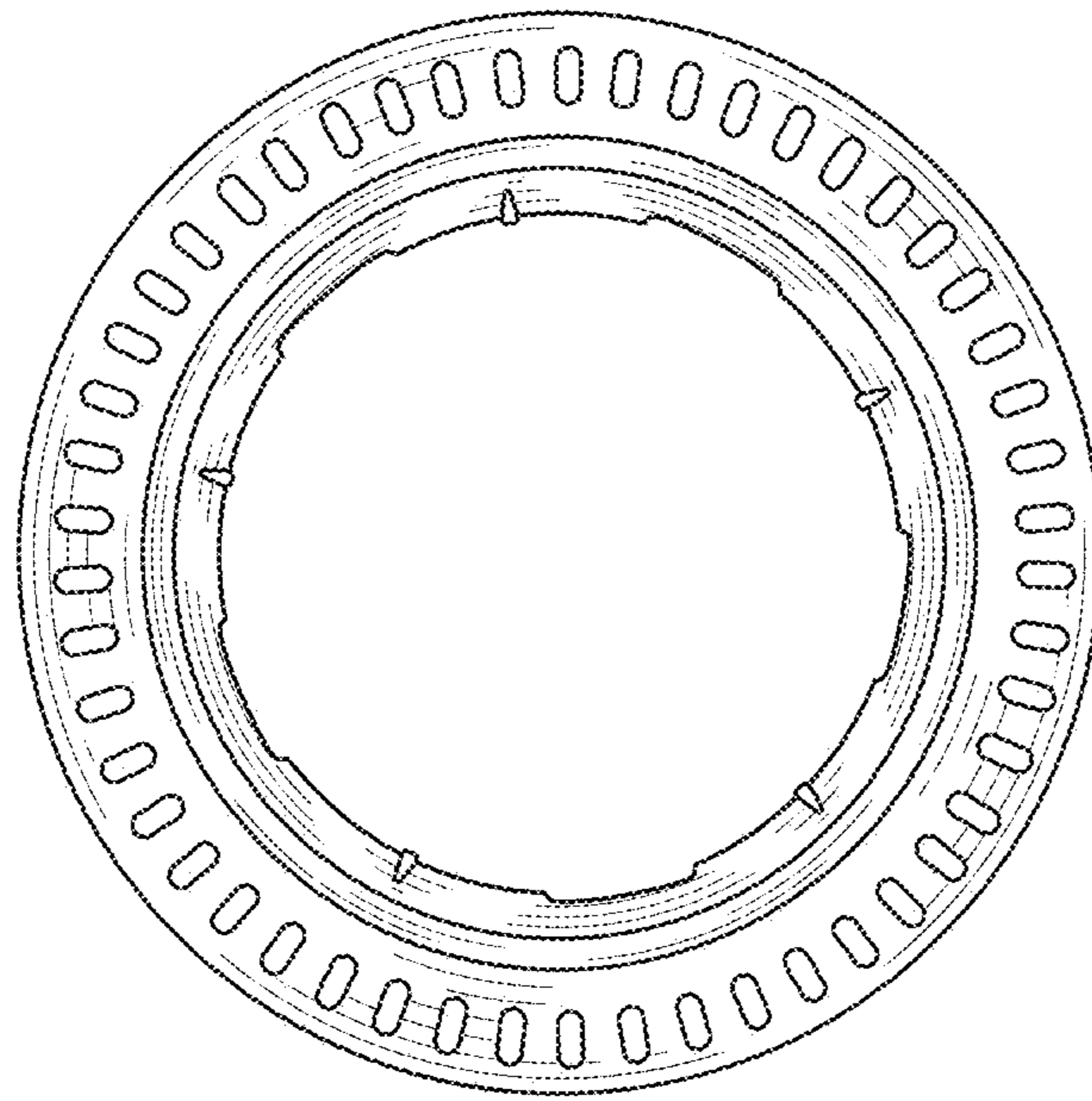


FIG. 4

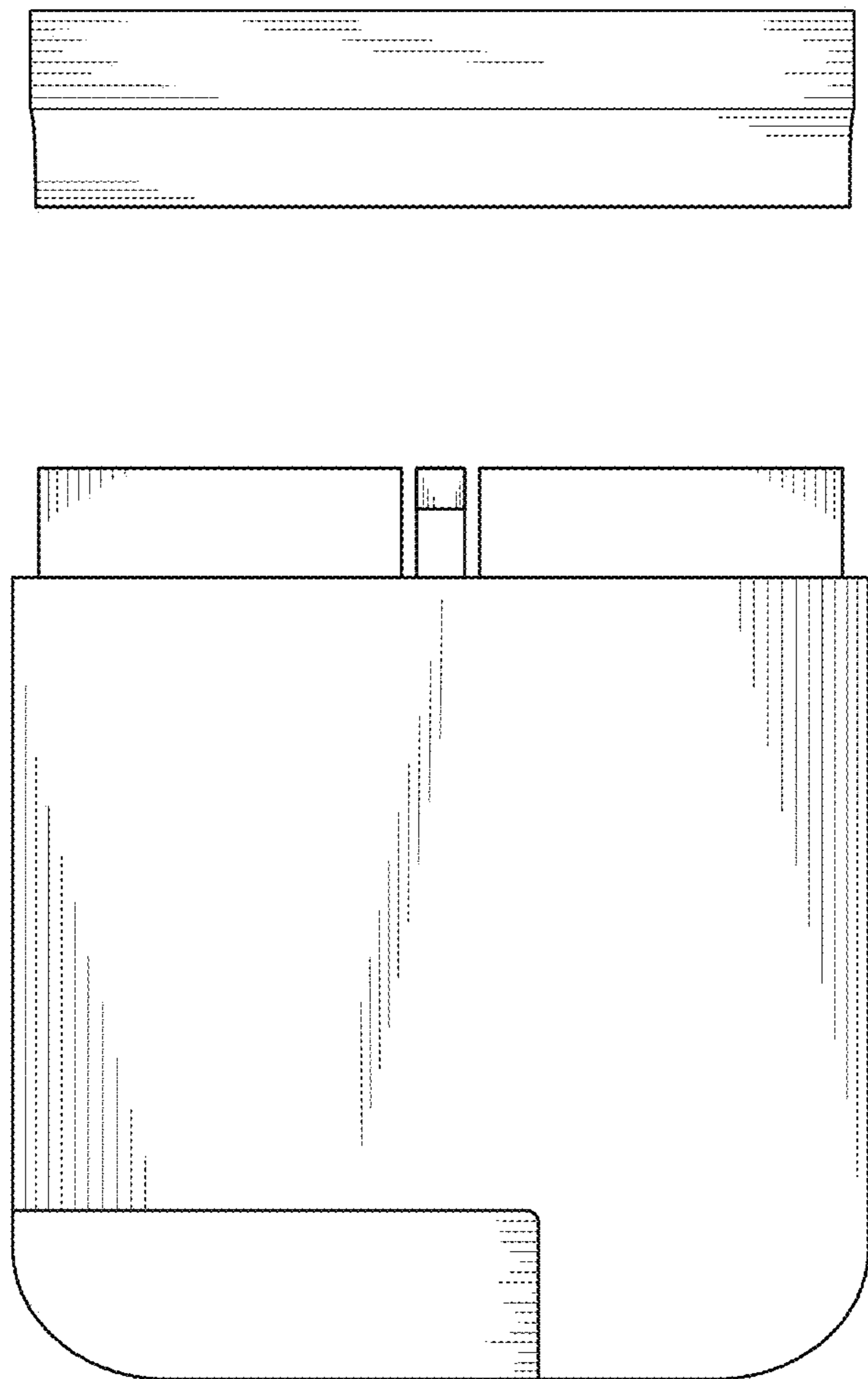


FIG. 5

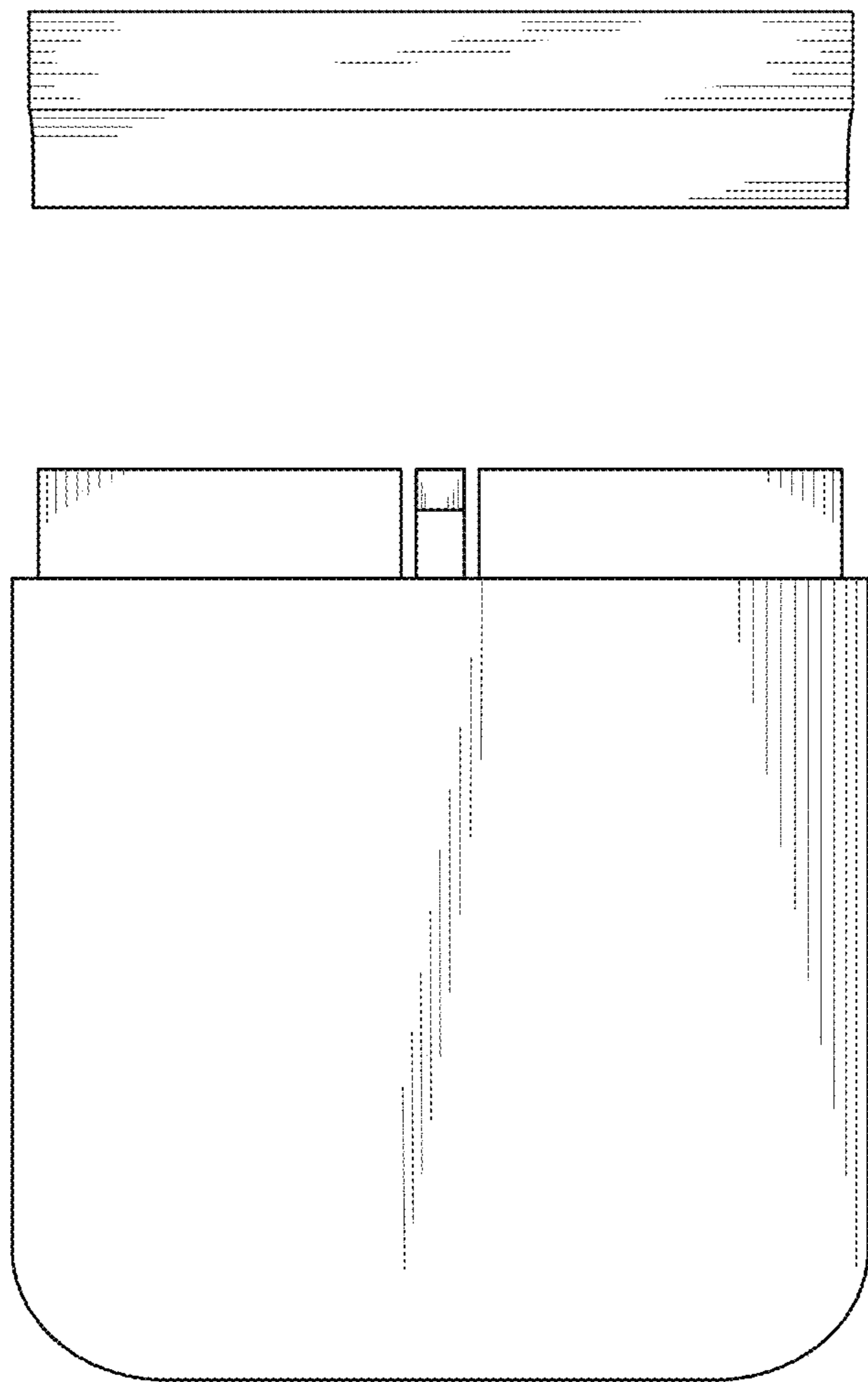


FIG. 6

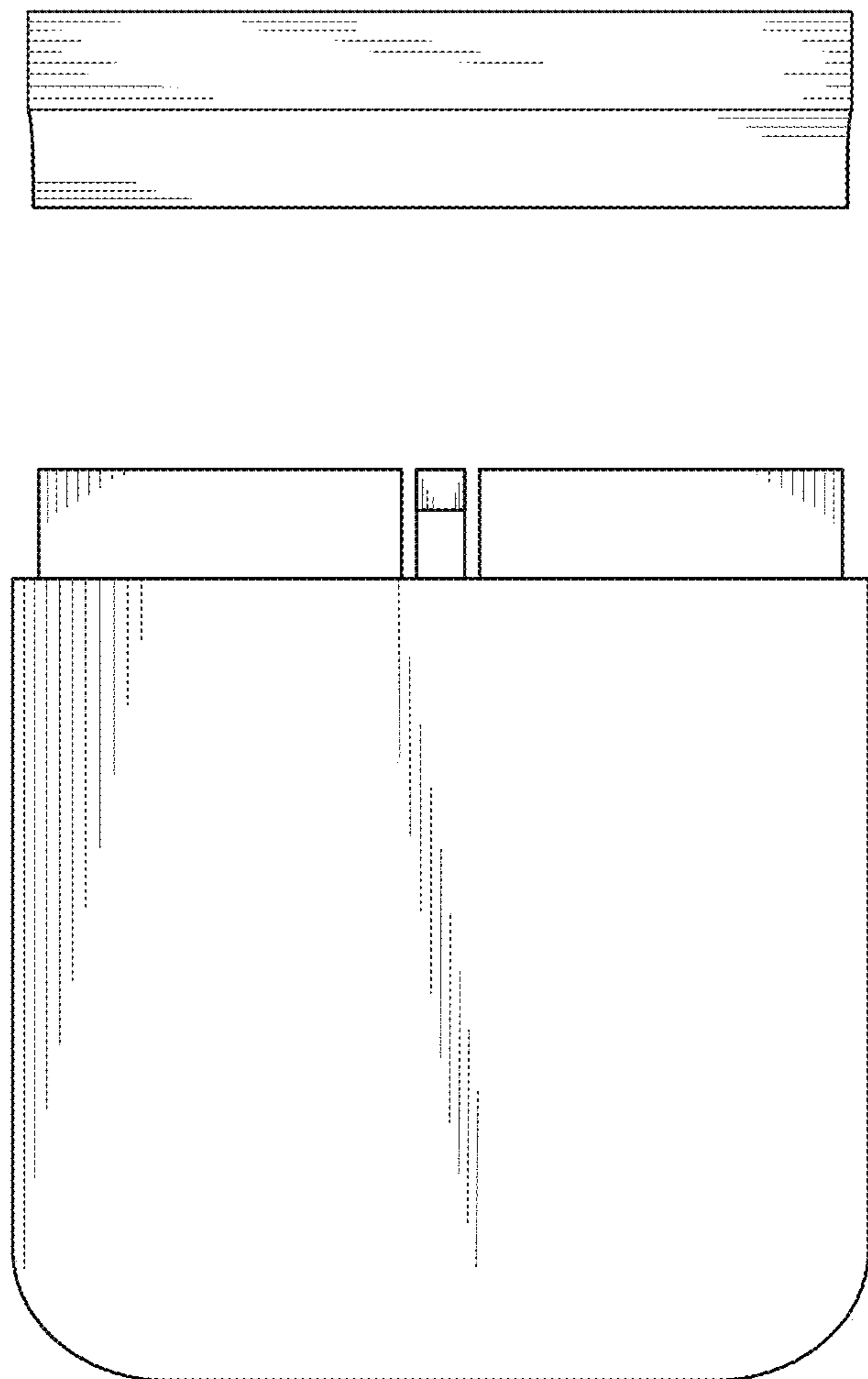


FIG. 7

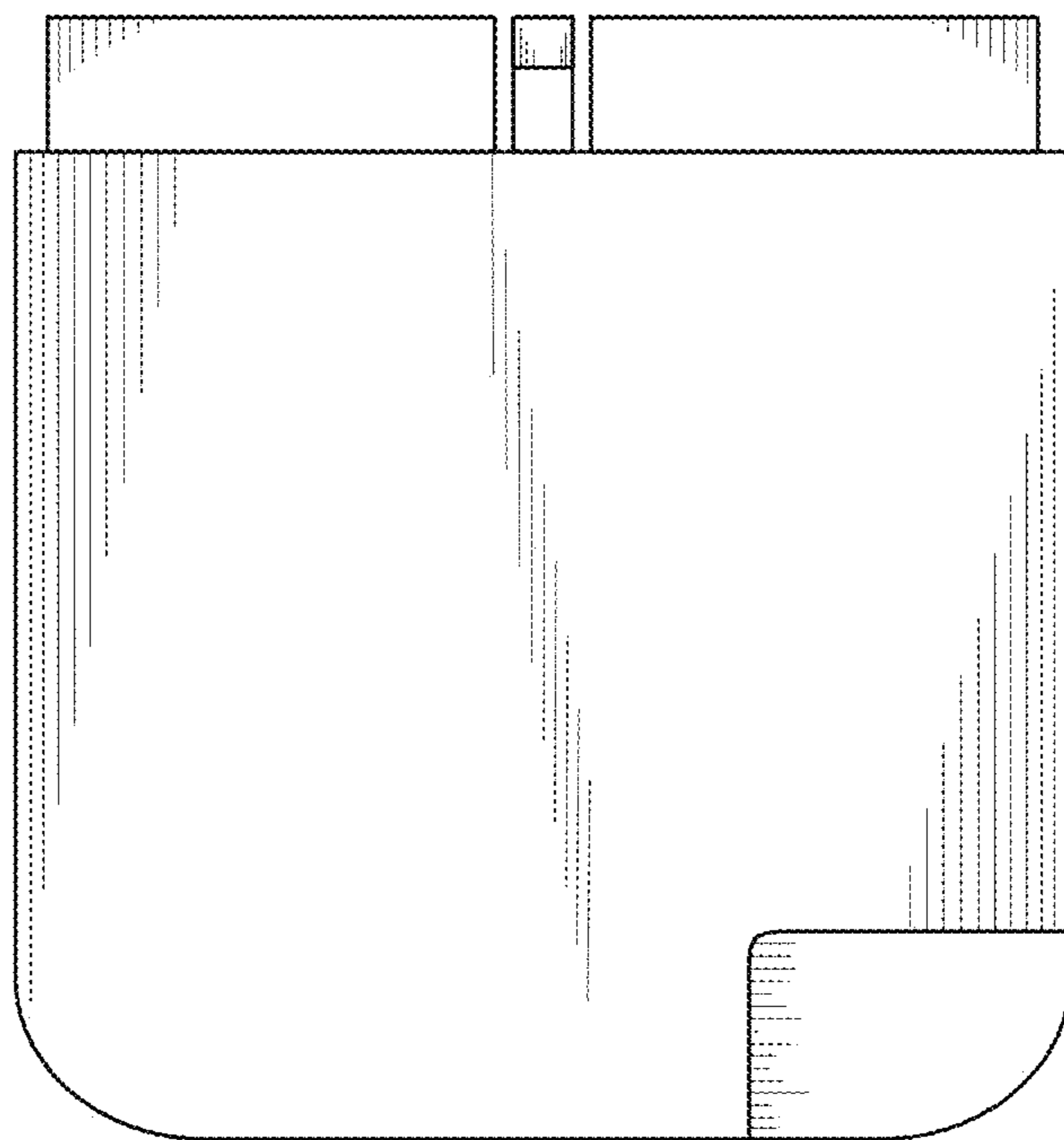
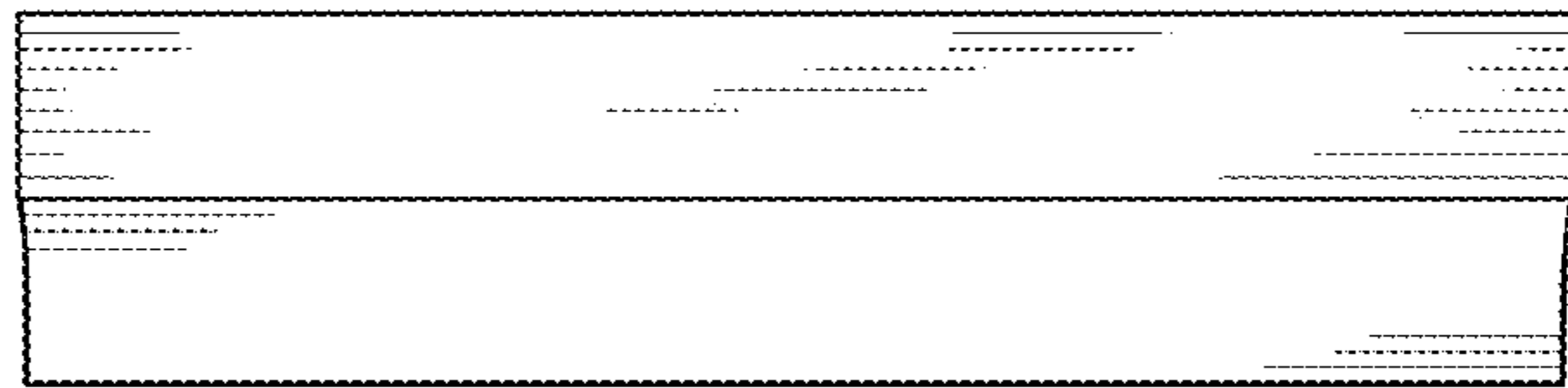
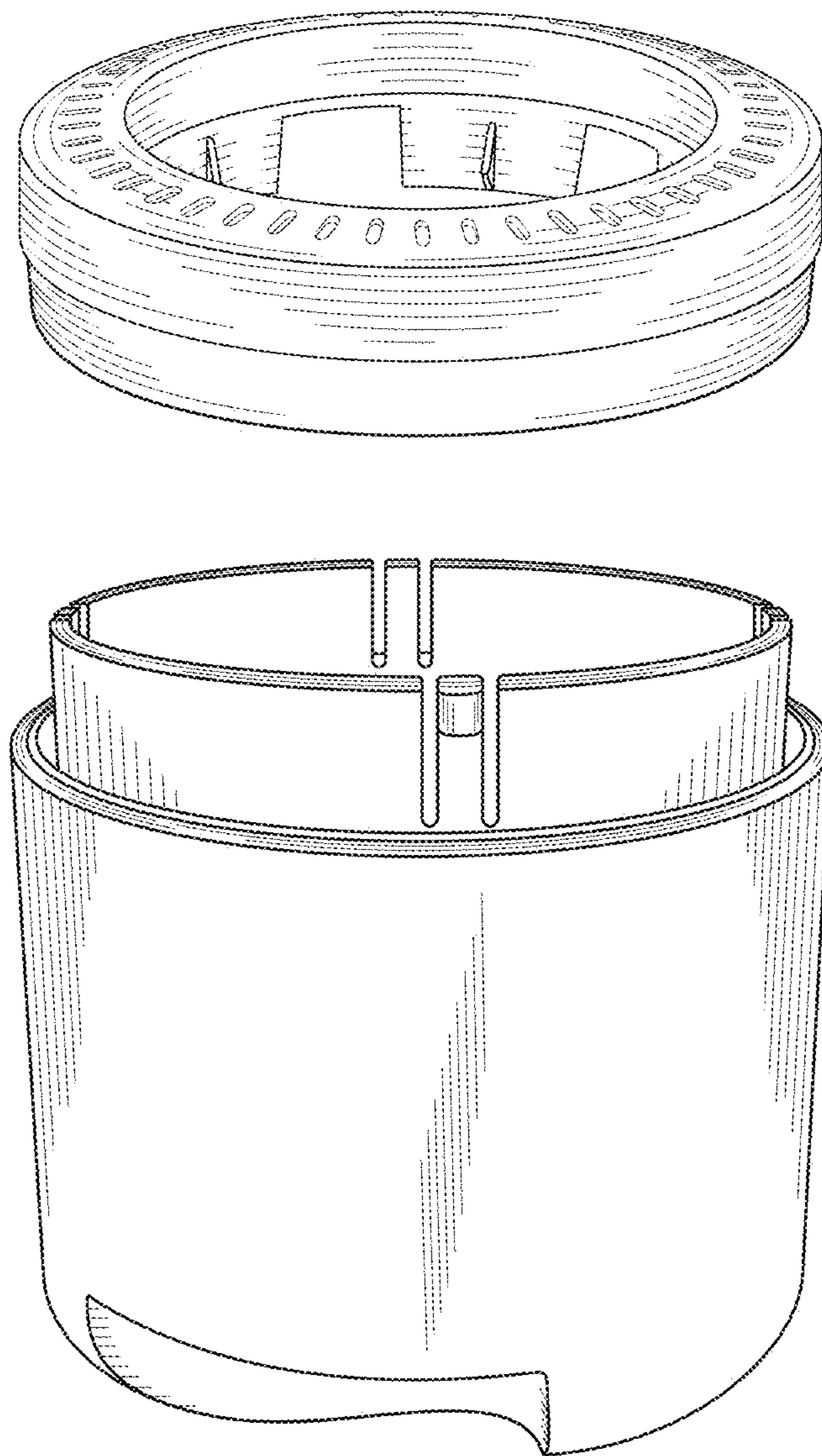


FIG. 8



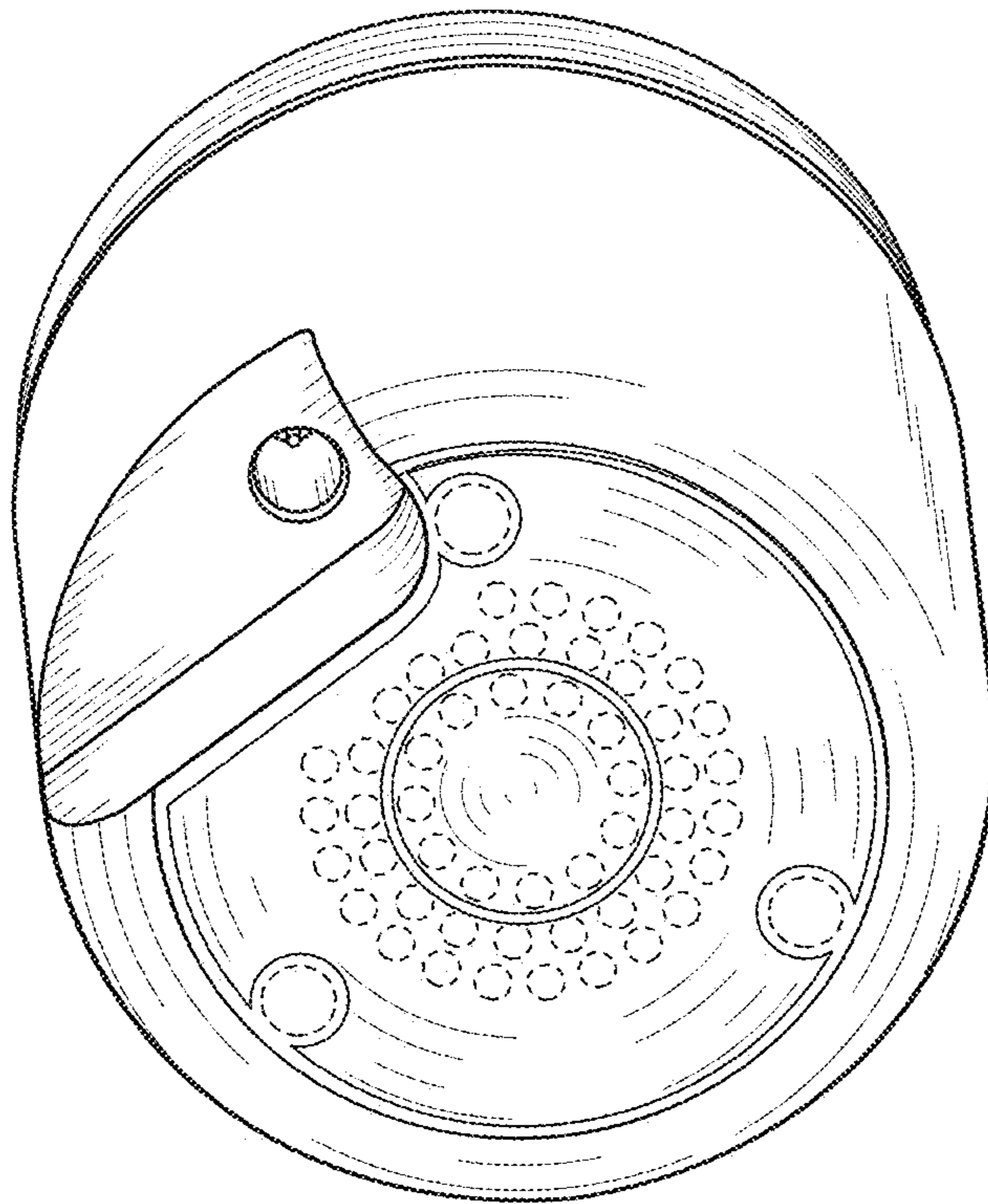


FIG. 9

FIG. 10

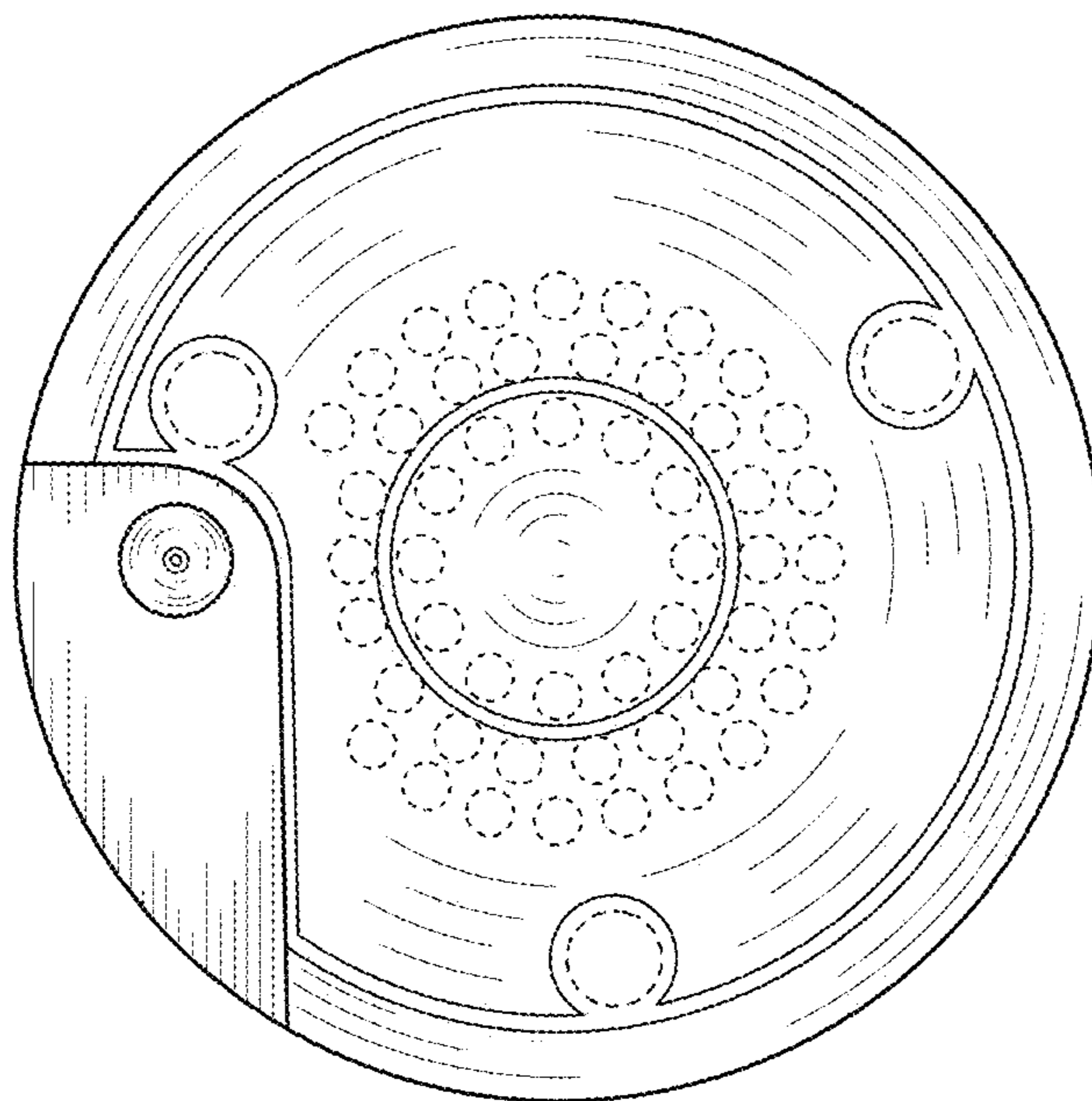


FIG. 11

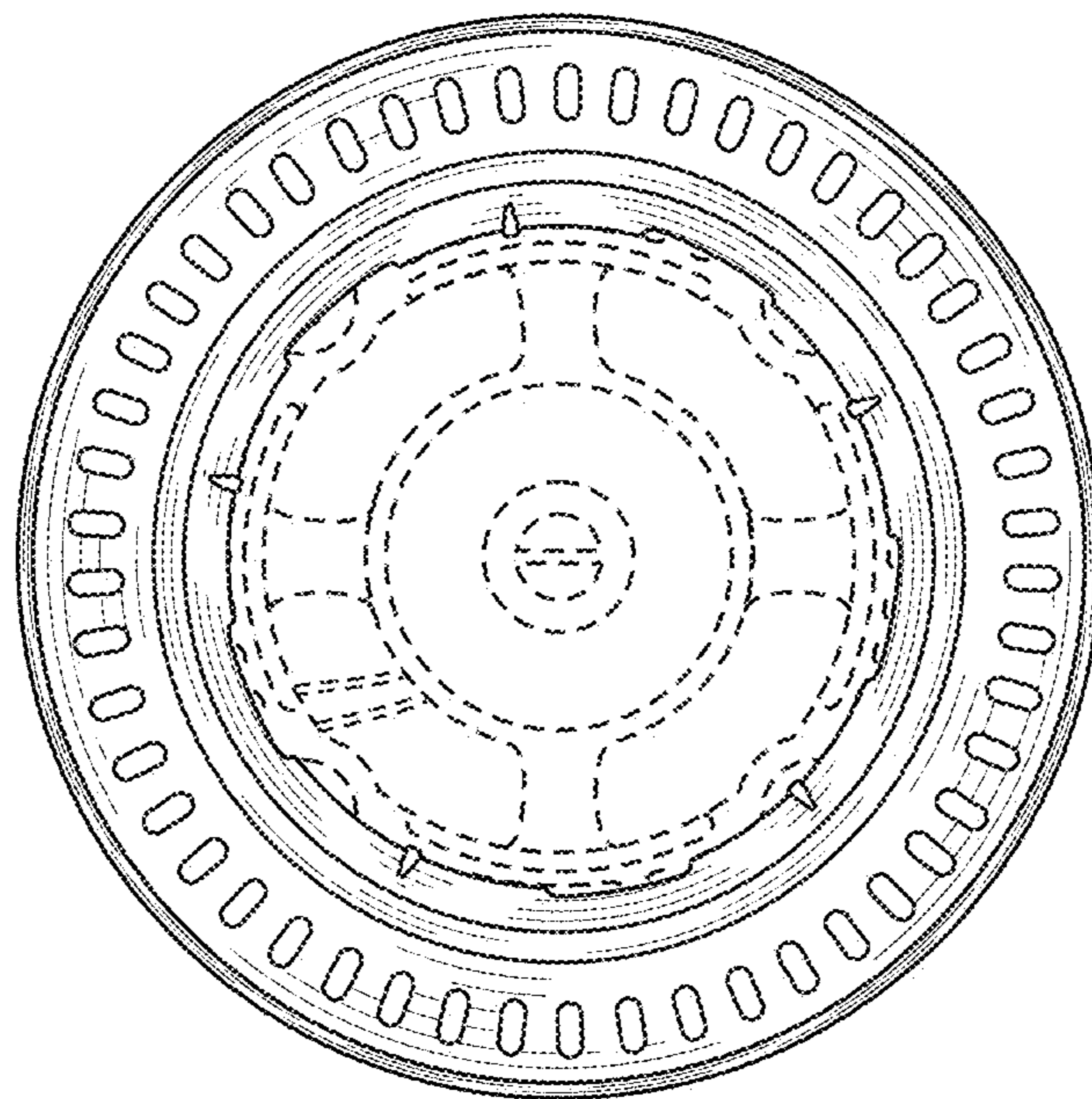


FIG. 12

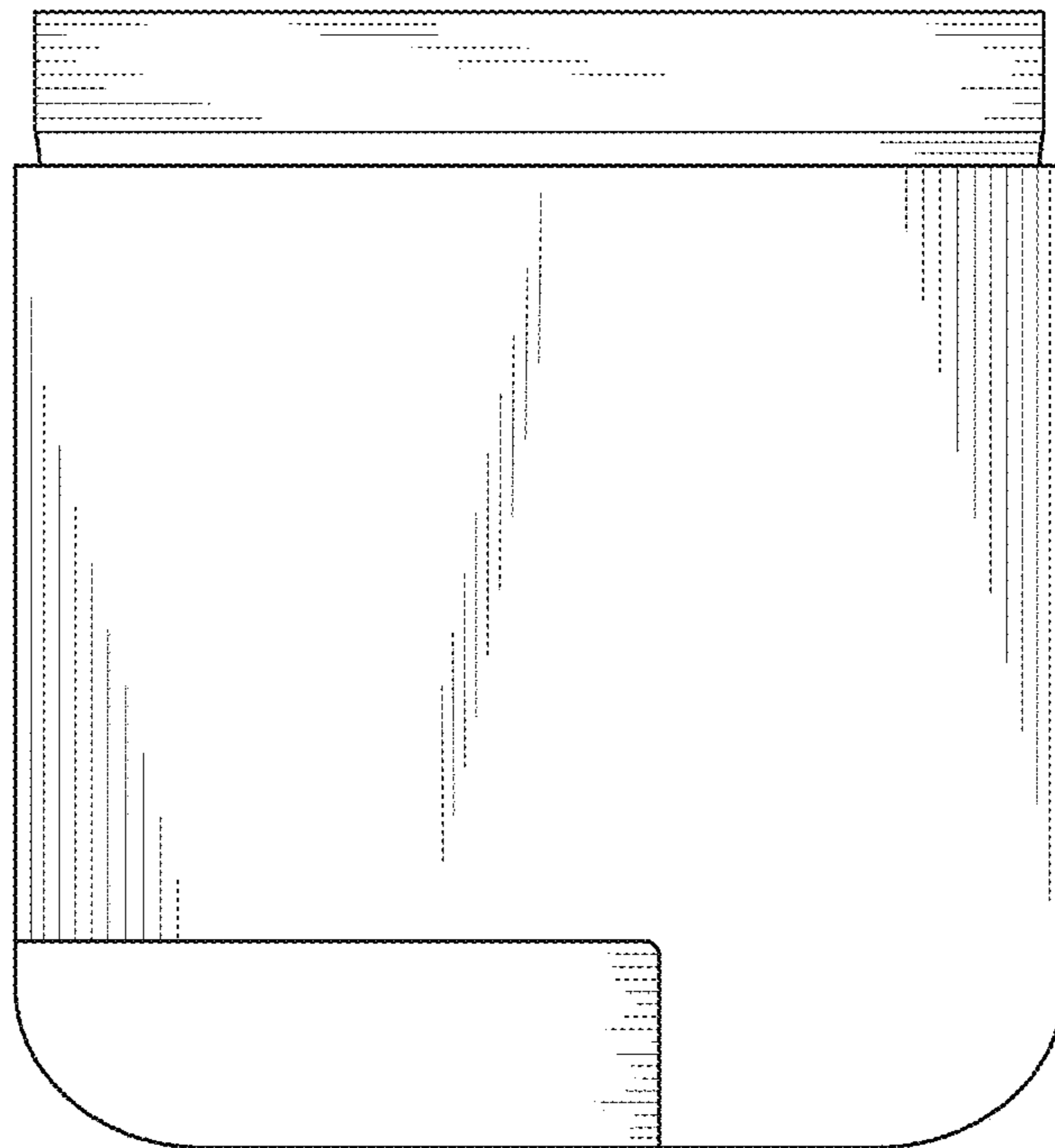


FIG. 13

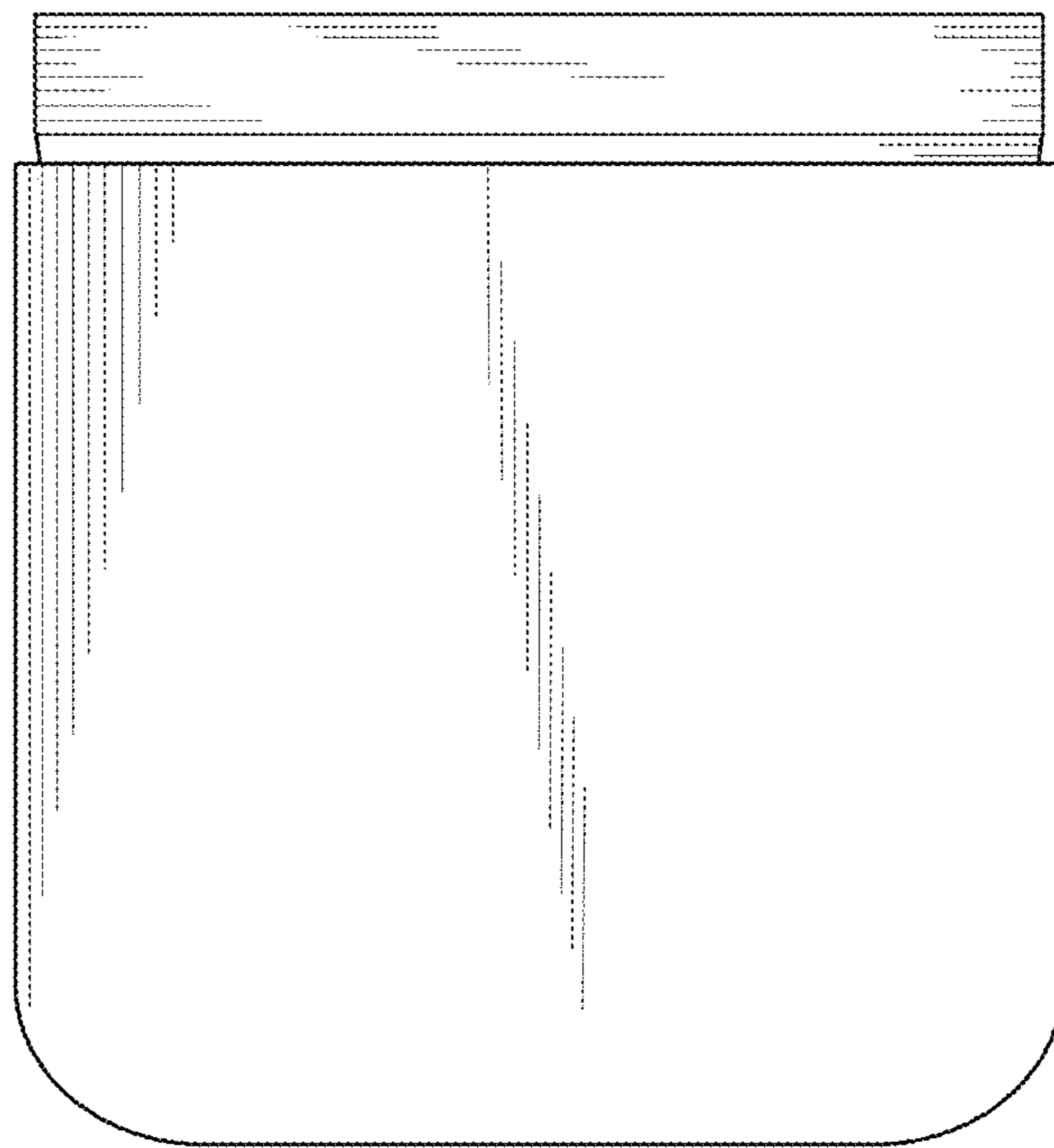


FIG. 14

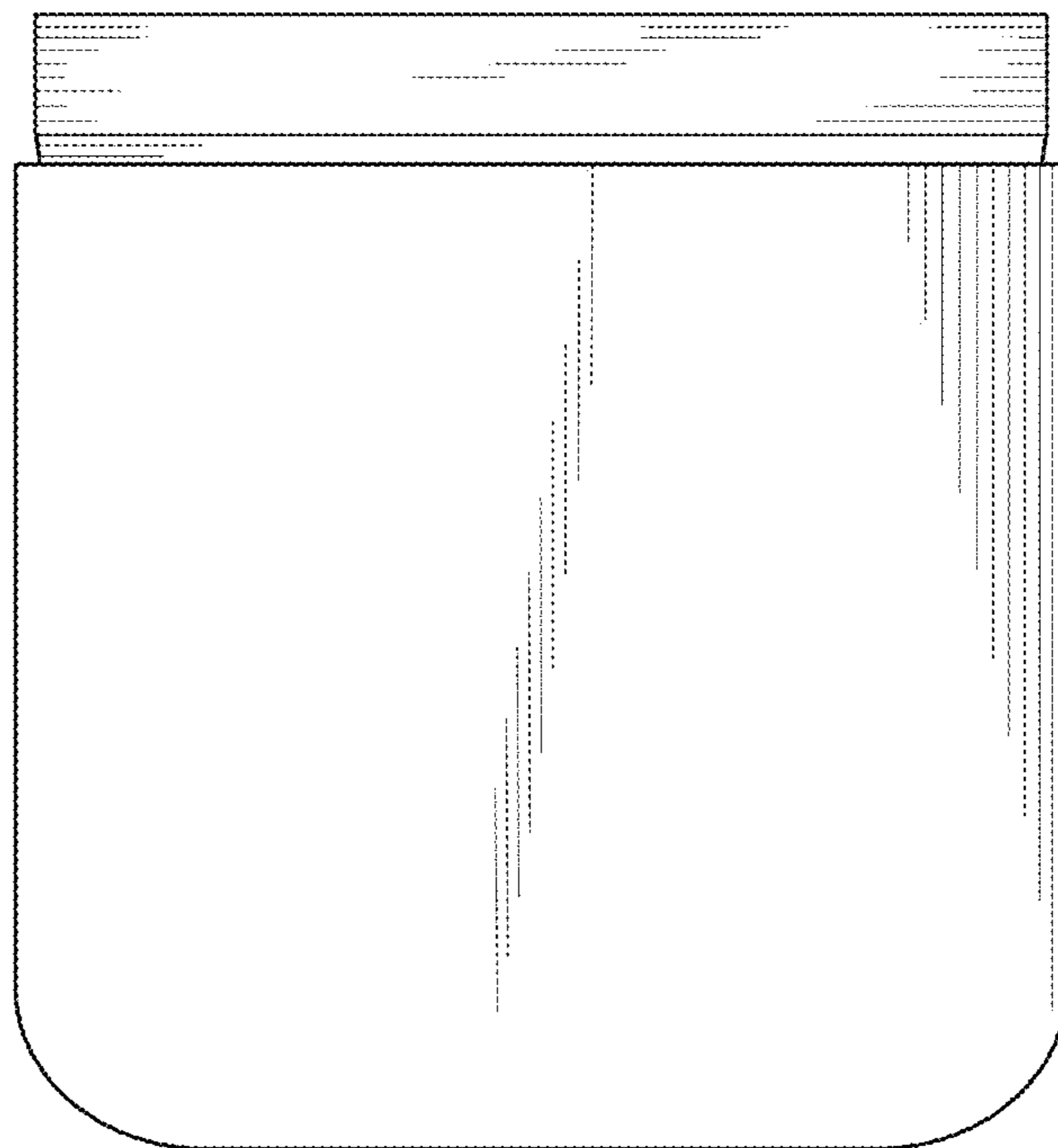


FIG. 15

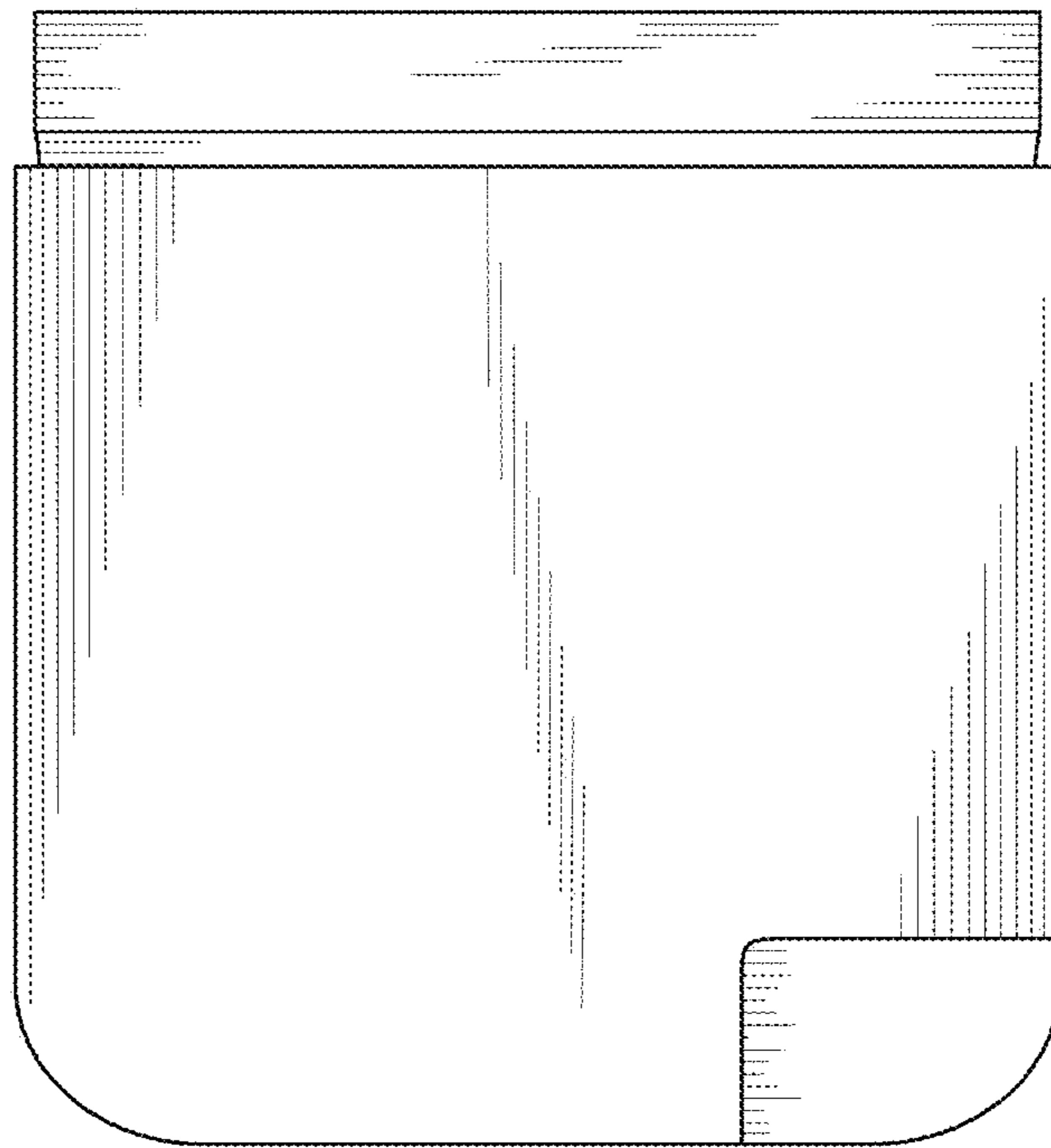


FIG. 16

