



US00D948018S

(12) **United States Design Patent**
Li et al.

(10) **Patent No.:** **US D948,018 S**

(45) **Date of Patent:** **** Apr. 5, 2022**

(54) **AIR PURIFIER**

(71) Applicant: **Shenzhen Airtok Technology Co., Ltd.**, Guangdong (CN)

(72) Inventors: **Xiangwu Li**, Guangdong (CN); **Hong Chang**, Guangdong (CN); **Yuewen Jia**, Guangdong (CN); **Guangmin Jia**, Guangdong (CN)

(73) Assignee: **Shenzhen Airtok Technology Co., Ltd.**, Guangdong (CN)

(**) Term: **15 Years**

(21) Appl. No.: **29/786,535**

(22) Filed: **Jun. 1, 2021**

(30) **Foreign Application Priority Data**

Dec. 2, 2020 (CN) 202030741366.0

(51) **LOC (13) Cl.** **23-04**

(52) **U.S. Cl.**
USPC **D23/364**

(58) **Field of Classification Search**
USPC D23/209, 355, 356, 358, 359, 360, 364, D23/365, 366, 367
CPC . A61L 9/03; A61L 9/012; A61L 9/015; A61L 9/037; F41J 1/01
See application file for complete search history.

(56) **References Cited**

U.S. PATENT DOCUMENTS

D755,942 S	*	5/2016	Kim	D23/364
D799,016 S	*	10/2017	Su	D23/364
D835,765 S	*	12/2018	Chen	D23/364
D852,344 S	*	6/2019	Hua	A61L 9/16
					D23/364
D898,889 S	*	10/2020	Yu	D23/364
D912,796 S	*	3/2021	Huang	D23/364

D918,371 S		3/2021	Zeng	
D916,266 S		4/2021	Jin	
D921,869 S	*	6/2021	Han D23/364
D933,798 S	*	10/2021	Wang D23/364
D934,837 S	*	11/2021	Huang D14/214
D939,071 S	*	12/2021	Seo D23/364
D942,605 S	*	2/2022	Yu D23/364
D943,076 S	*	2/2022	Yu D23/364
D943,726 S	*	2/2022	Li D23/364

OTHER PUBLICATIONS

AIR TOK Air Purifier [Feb. 15, 2022] found online [Feb. 15, 2022]—https://www.amazon.com/AIR TOK-Purifiers-Coverage-Wildfire-Ozone-Free/dp/B09CV2V DXQ/ref=sr_1_21?cr id=3N9HRC4NJWZ9Q&keywords=air%2Bpurifier&qid=1644937586&sprefix=air%2Bpurifier%2Caps%2C94&sr=8-21&th=1.*

* cited by examiner

Primary Examiner — John A Voytek

(74) *Attorney, Agent, or Firm* — ScienBiziP, P.C.

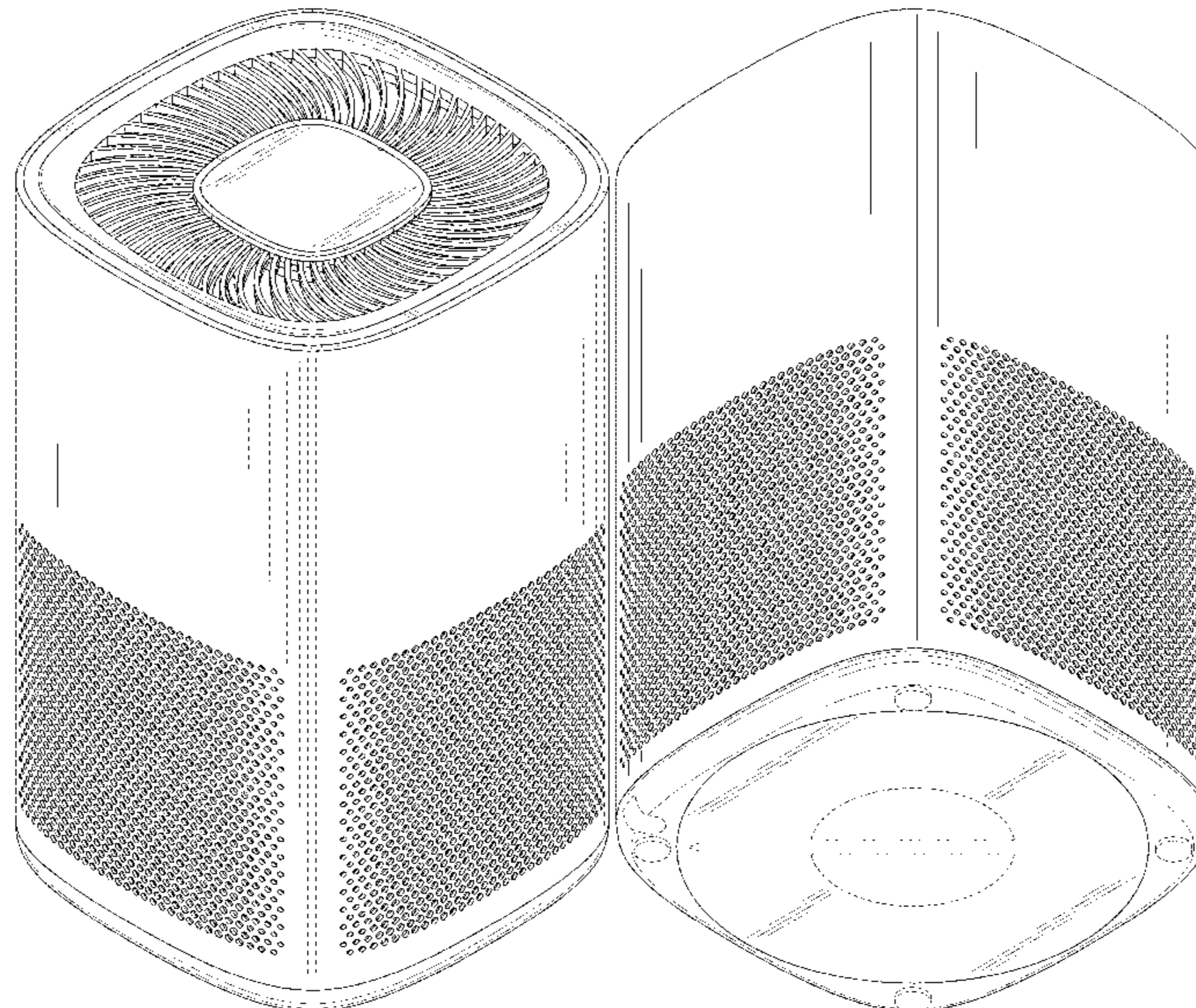
(57) **CLAIM**

The ornamental design for an air purifier, as shown and described.

DESCRIPTION

FIG. 1 is a front, right, and top perspective view of an air purifier, showing our design.
FIG. 2 is a rear, left, and bottom perspective view thereof.
FIG. 3 is a front elevation view thereof.
FIG. 4 is a rear elevation view thereof.
FIG. 5 is a left side elevation view thereof.
FIG. 6 is a right side elevation view thereof.
FIG. 7 is a top plan view thereof; and,
FIG. 8 is a bottom plan view thereof.
The broken lines shown in the drawings are included for the purpose of illustrating portions of the air purifier that form no part of the claimed design.

1 Claim, 8 Drawing Sheets



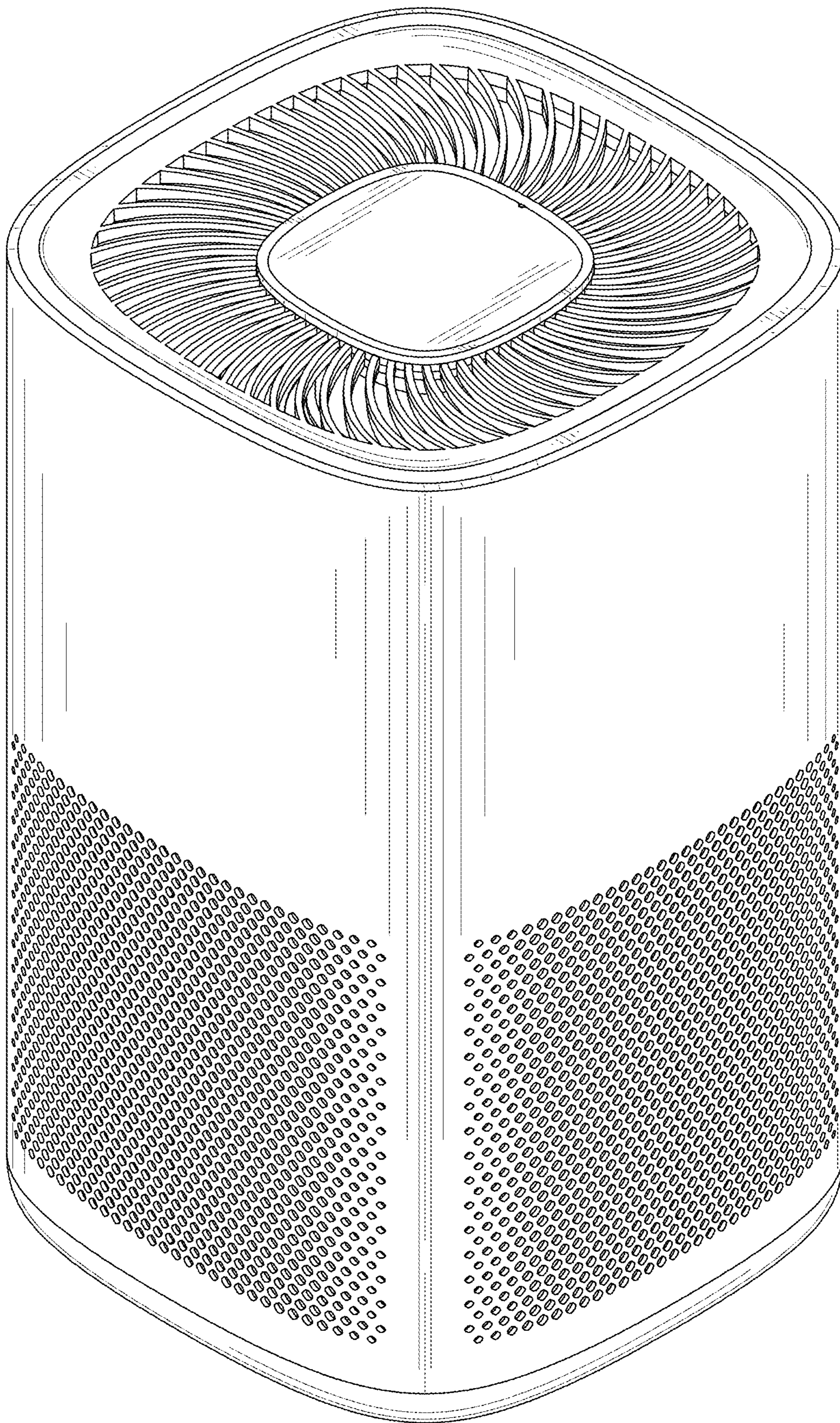


FIG. 1

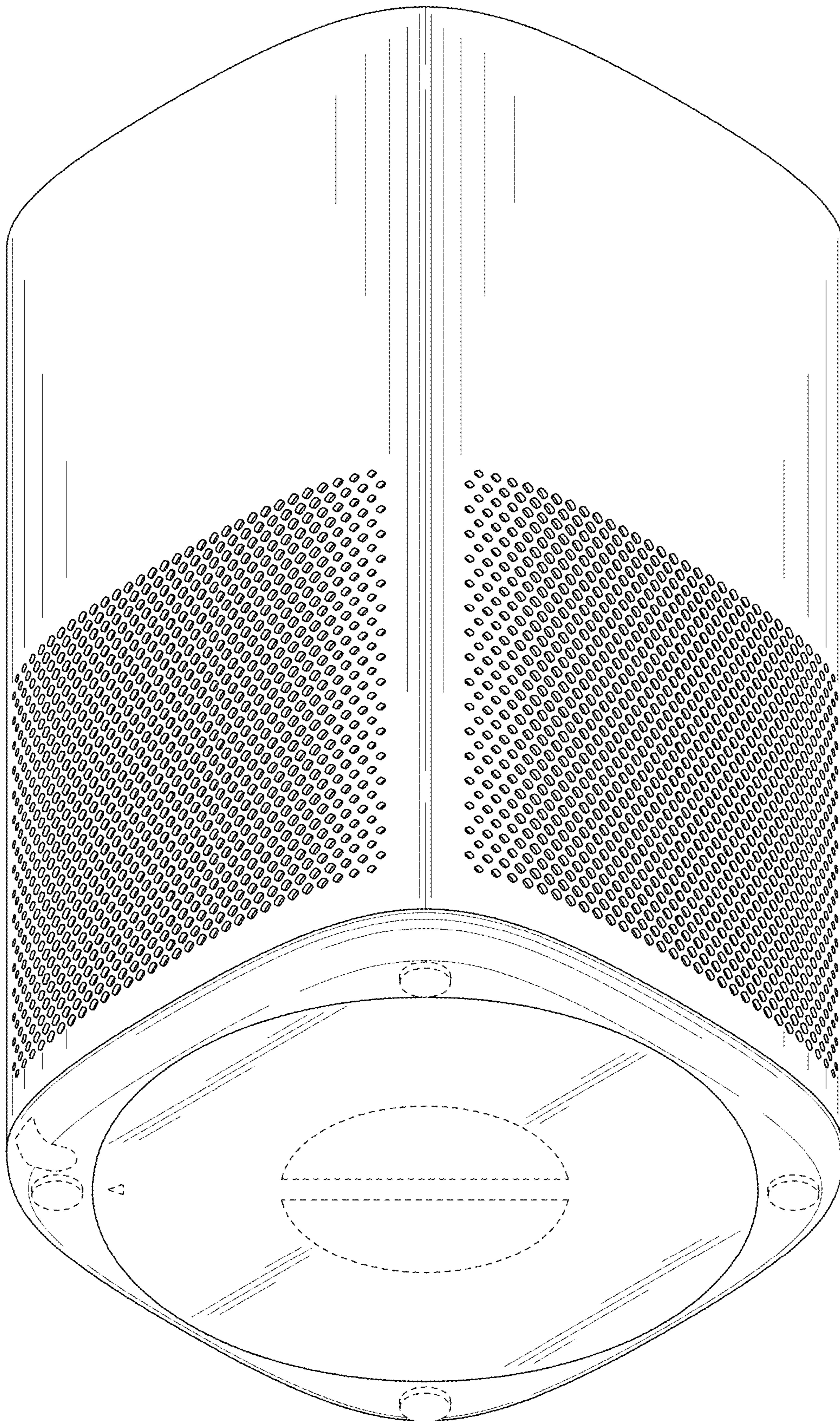


FIG. 2

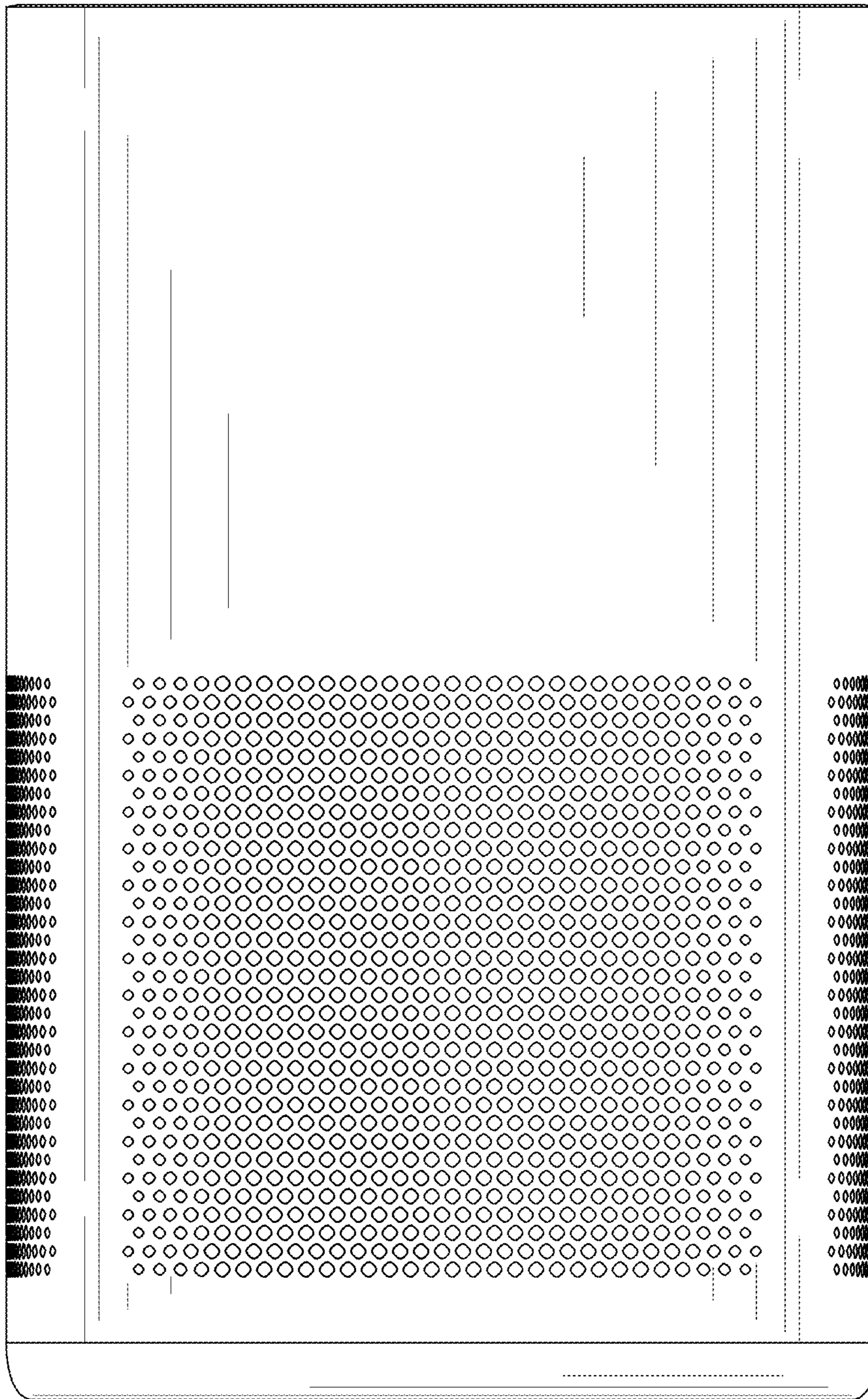


FIG. 3

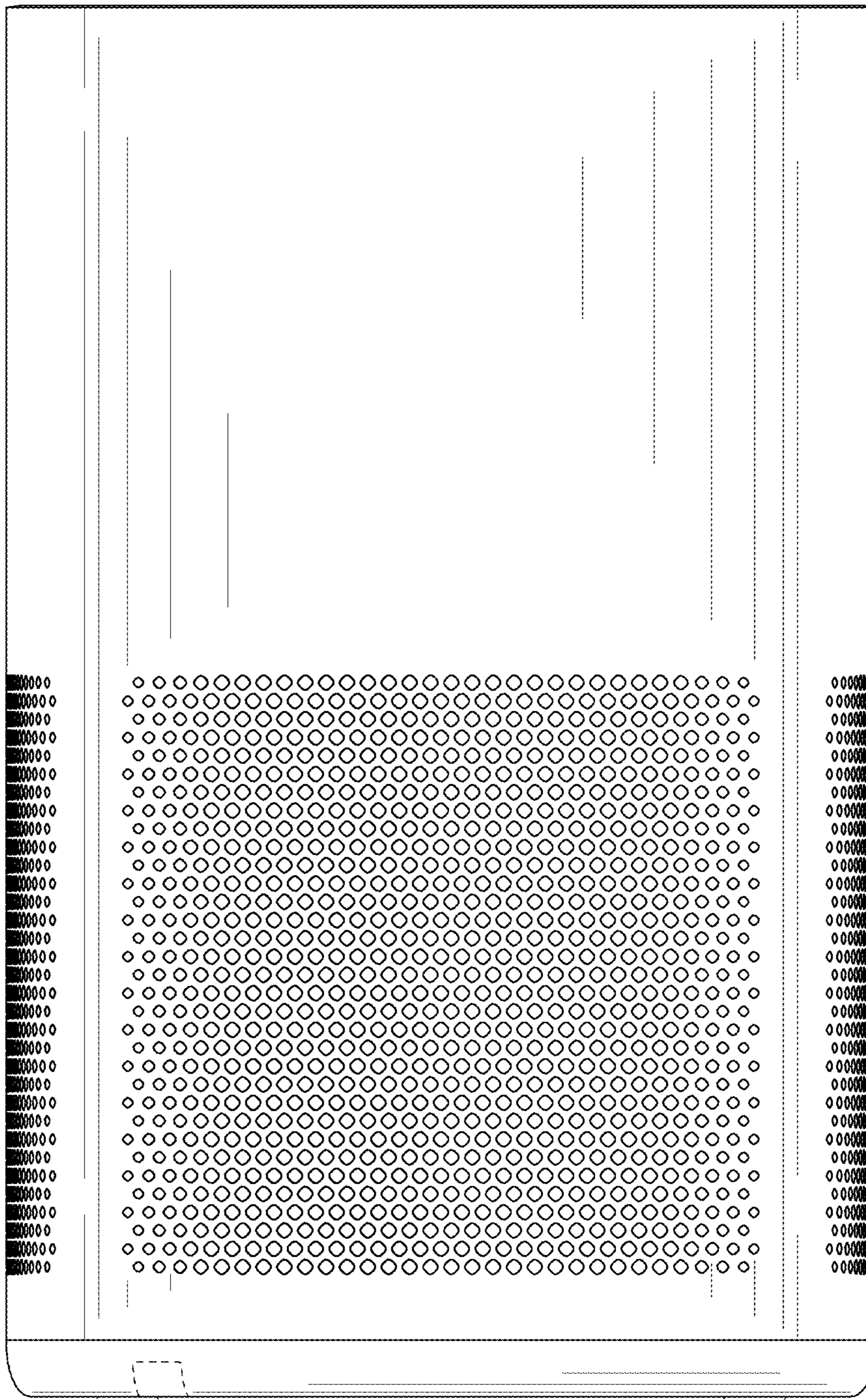


FIG. 4

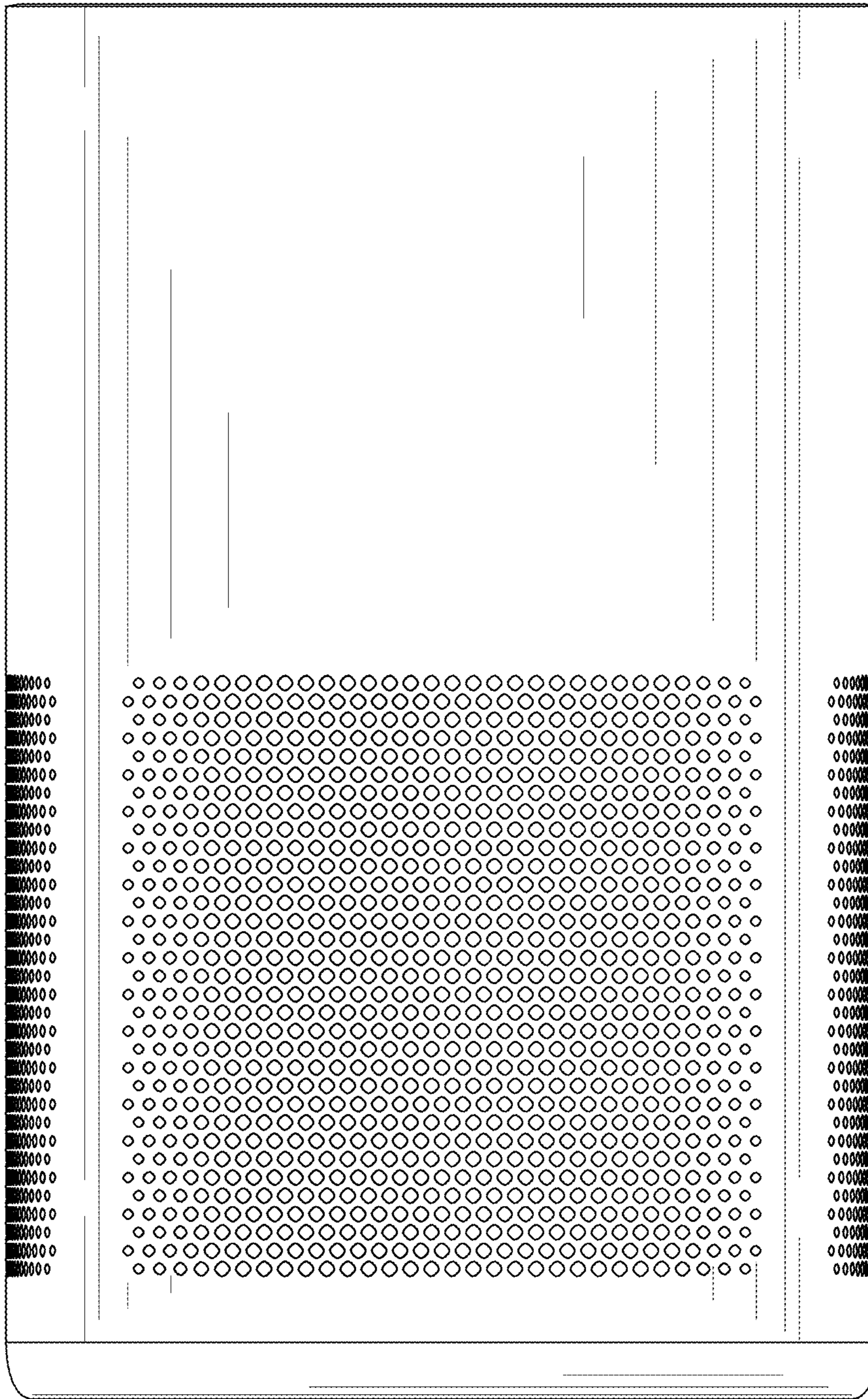


FIG. 5

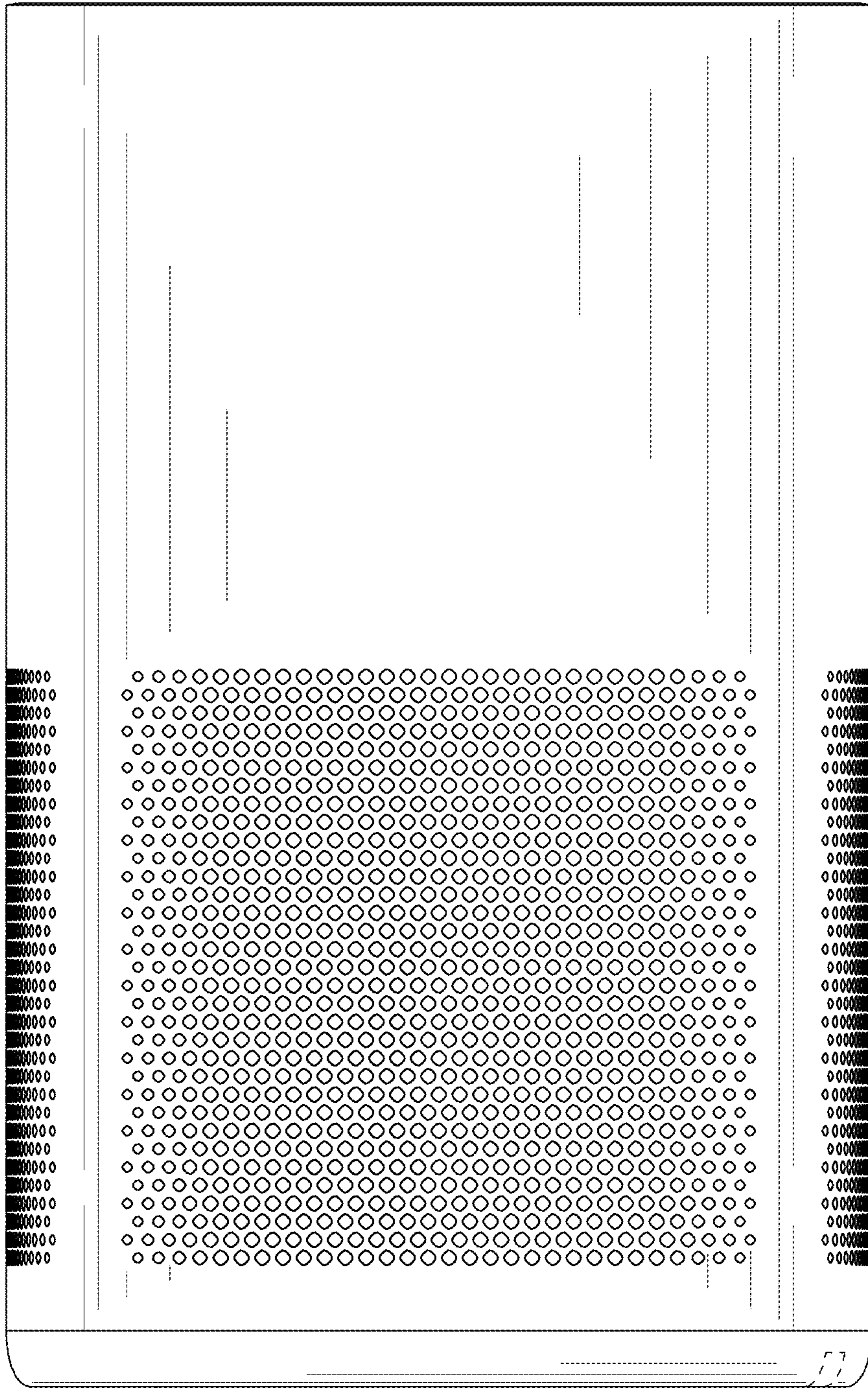


FIG. 6

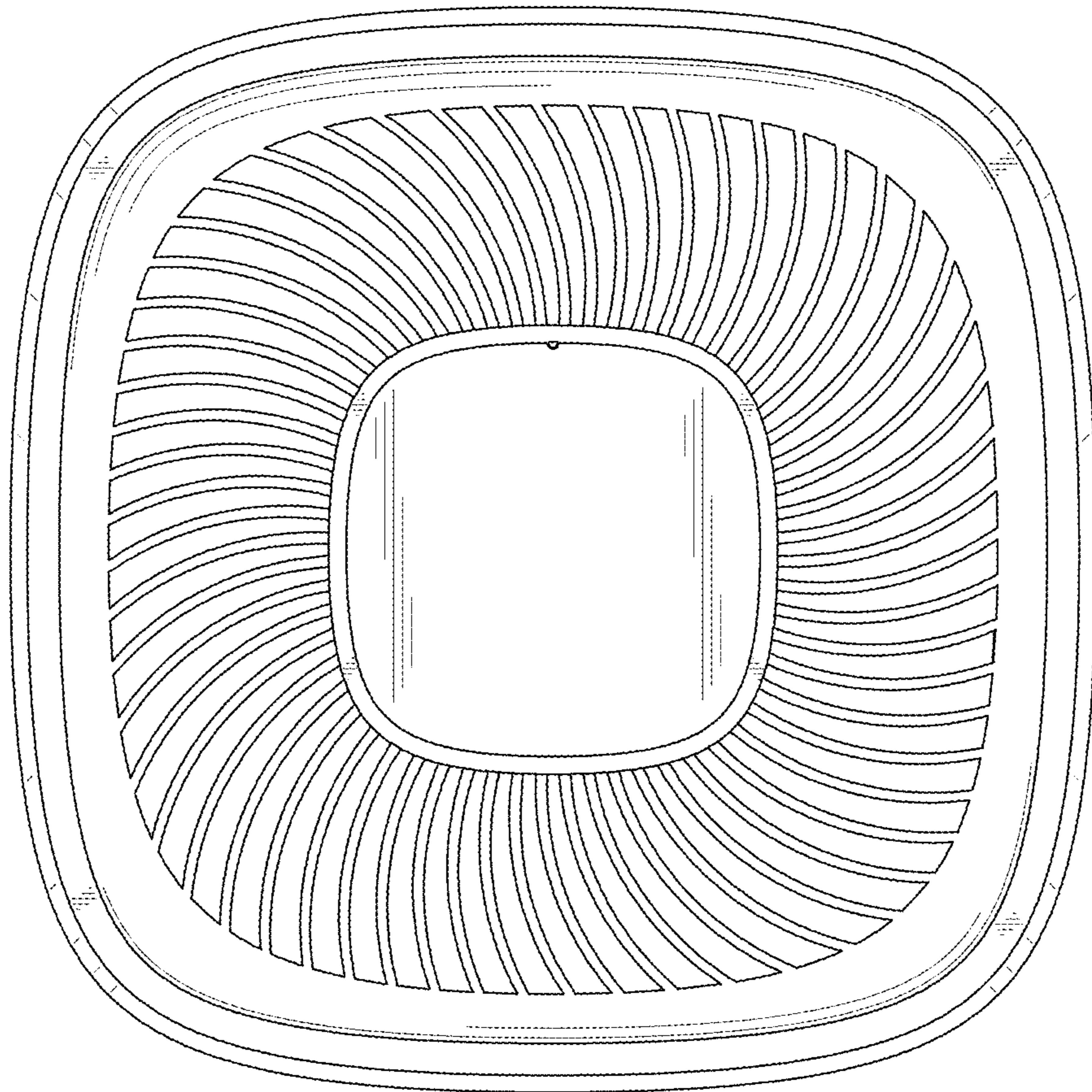


FIG. 7

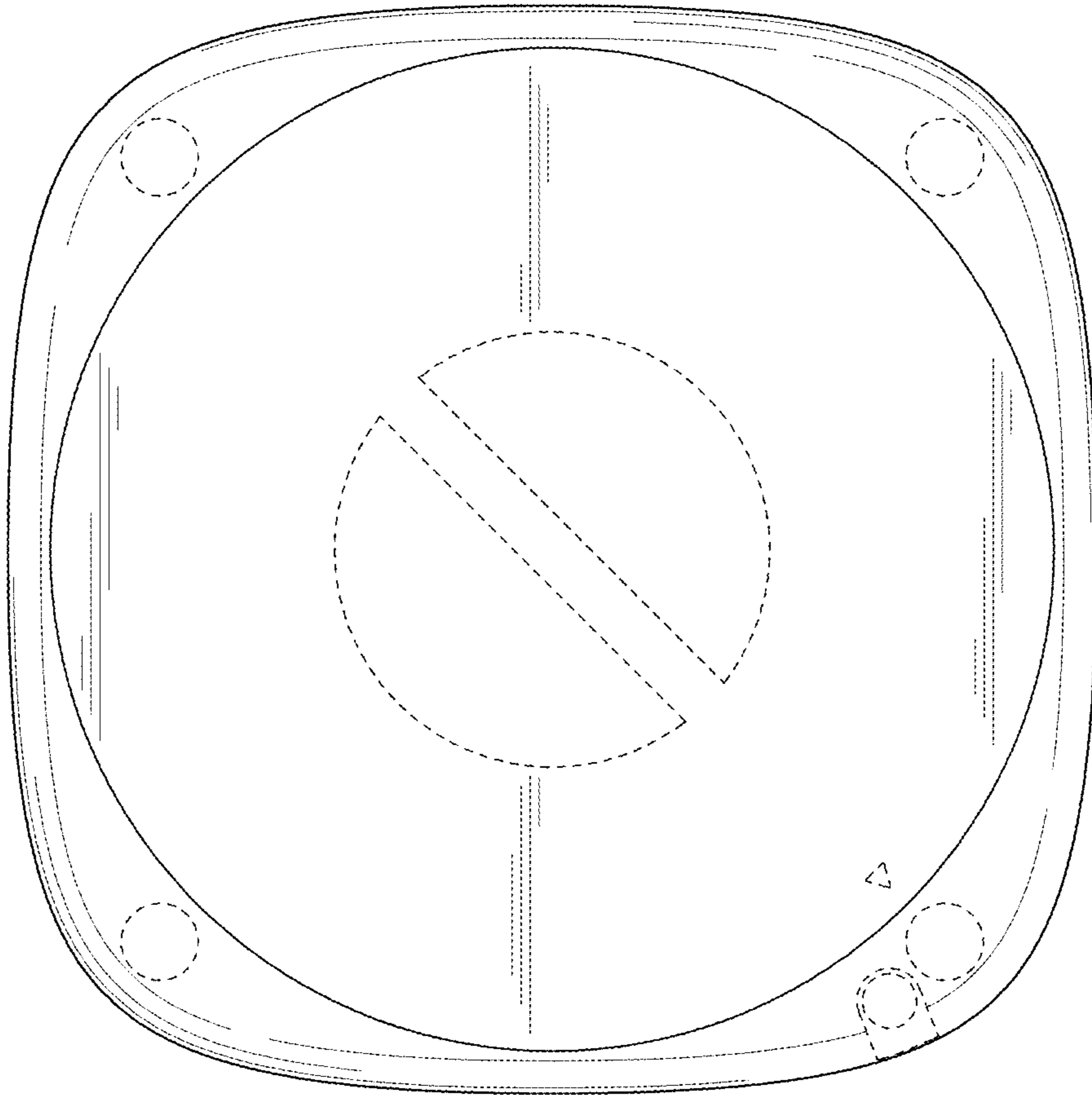


FIG. 8