



US00D948008S

(12) **United States Design Patent** (10) **Patent No.:** **US D948,008 S**
O'Brien et al. (45) **Date of Patent:** **** Apr. 5, 2022**

(54) **AIR CONDITIONING HOUSING**

(71) Applicant: **TSI Products, Inc.**, Arlington, TX (US)

(72) Inventors: **Stephen William O'Brien**, Irving, TX (US); **Todd Michael Coleman**, The Colony, TX (US)

(73) Assignee: **TSI Products, Inc.**, Arlington, TX (US)

(**) Term: **15 Years**

(21) Appl. No.: **29/747,780**

(22) Filed: **Aug. 25, 2020**

(51) **LOC (13) Cl.** **12-16**

(52) **U.S. Cl.**
 USPC **D23/325**

(58) **Field of Classification Search**
 USPC D23/314, 325, 332, 333, 335, 351-367, D23/388, 397; D13/11, 102; D34/7; D14/134
 CPC A01G 13/06; A61L 9/032; A61L 9/122; F24F 1/00; F24F 1/02; F24F 1/022; F24F 1/06; F24F 1/08; F24F 1/12; F24F 1/14; F24F 1/16; F24F 1/18; F24F 1/0007; F24F 1/0022; F24F 1/0029; F24F 1/0033; F24F 3/12; F24F 3/16; F24F 5/001; F24F 5/0017; F24F 5/0035; F24F 6/00; F24F 6/02; F24F 2006/008; F24F 13/32; F24F 2221/20

See application file for complete search history.

(56) **References Cited**

U.S. PATENT DOCUMENTS

D382,634 S *	8/1997	Jane	D23/332
D383,126 S *	9/1997	Starck	D14/134
D422,348 S *	4/2000	Liu	D23/332
D616,080 S *	5/2010	Ching	D23/332
D717,415 S *	11/2014	Ehlert	D23/314
D857,862 S *	8/2019	O'Brien	D23/325
D933,180 S *	10/2021	Chen	D23/333

* cited by examiner

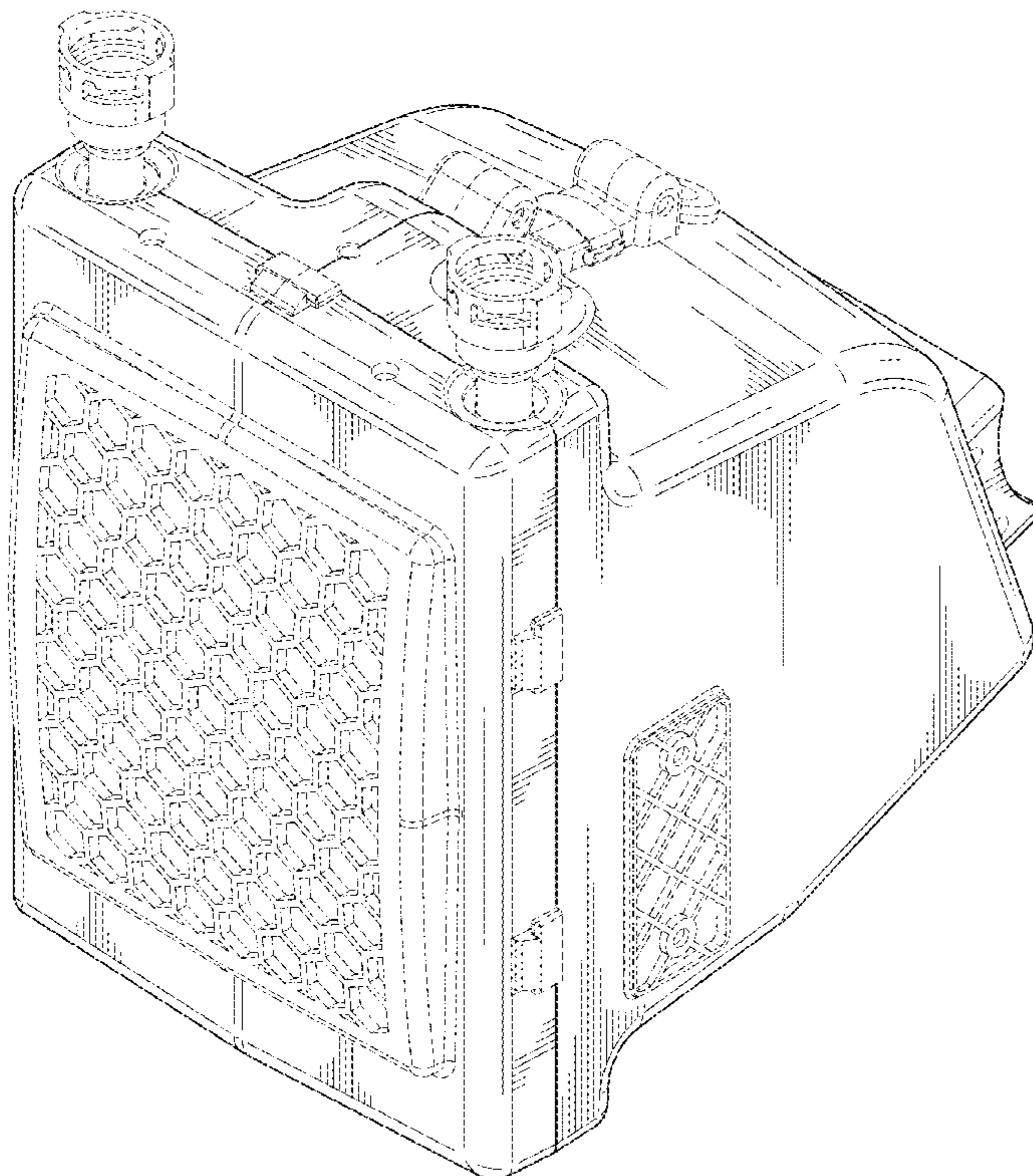
Primary Examiner — Gino Colan
Assistant Examiner — David OBrien
 (74) *Attorney, Agent, or Firm* — Hitchcock Evert, LLP

(57) **CLAIM**
 The ornamental design for an air conditioning housing, as shown and described.

DESCRIPTION

FIG. 1 is a perspective view from the top-right of the air conditioning housing;
 FIG. 2 is a front view thereof;
 FIG. 3 is a back view thereof;
 FIG. 4 is a right side view thereof;
 FIG. 5 is a left side view thereof;
 FIG. 6 is a top view thereof;
 FIG. 7 is a bottom view thereof; and,
 FIG. 8 is a perspective view from the bottom-left thereof.
 The features shown in broken lines are for the purpose of illustrating portions of the article that form no part of the claimed design.

1 Claim, 8 Drawing Sheets



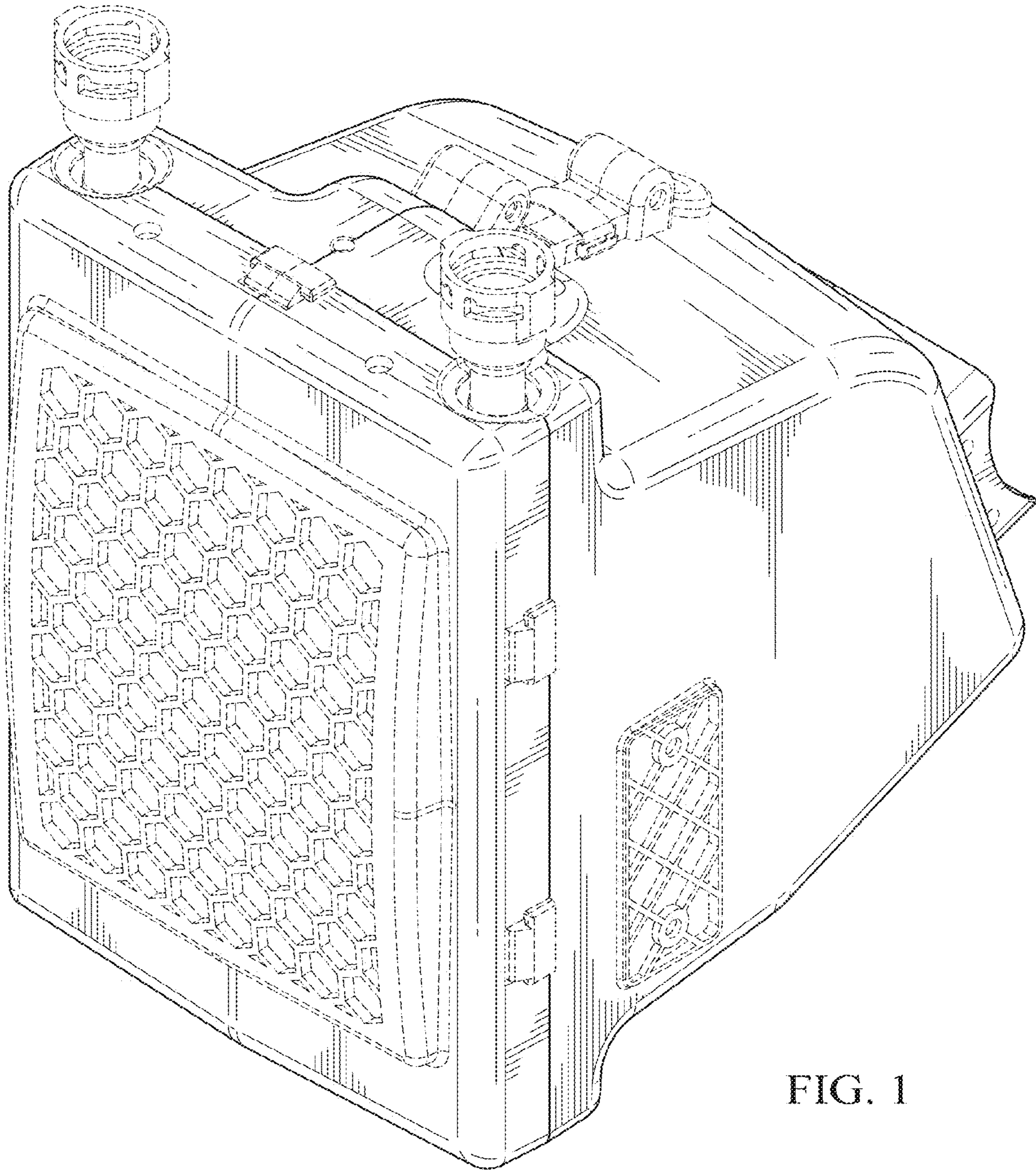


FIG. 1

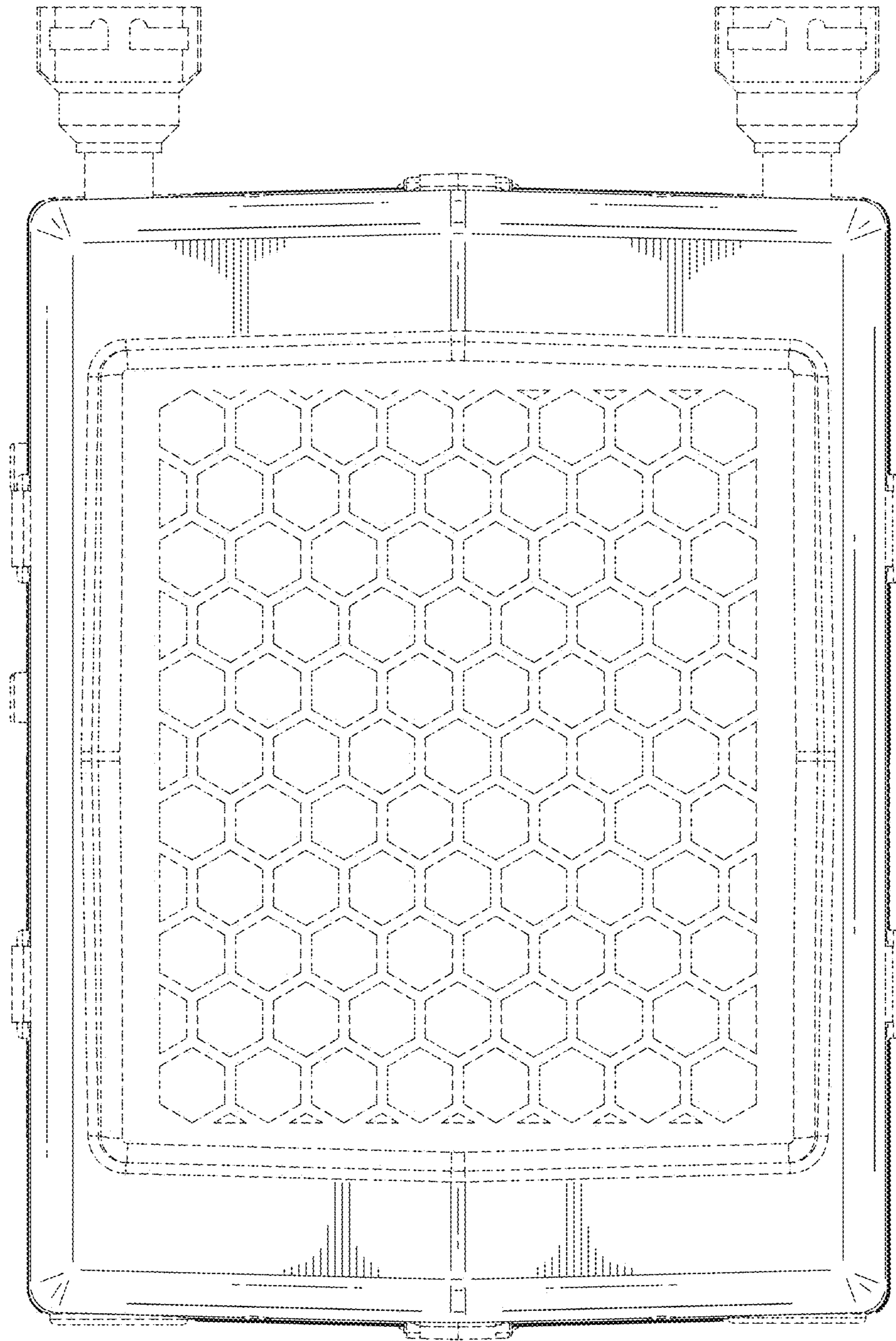


FIG. 2

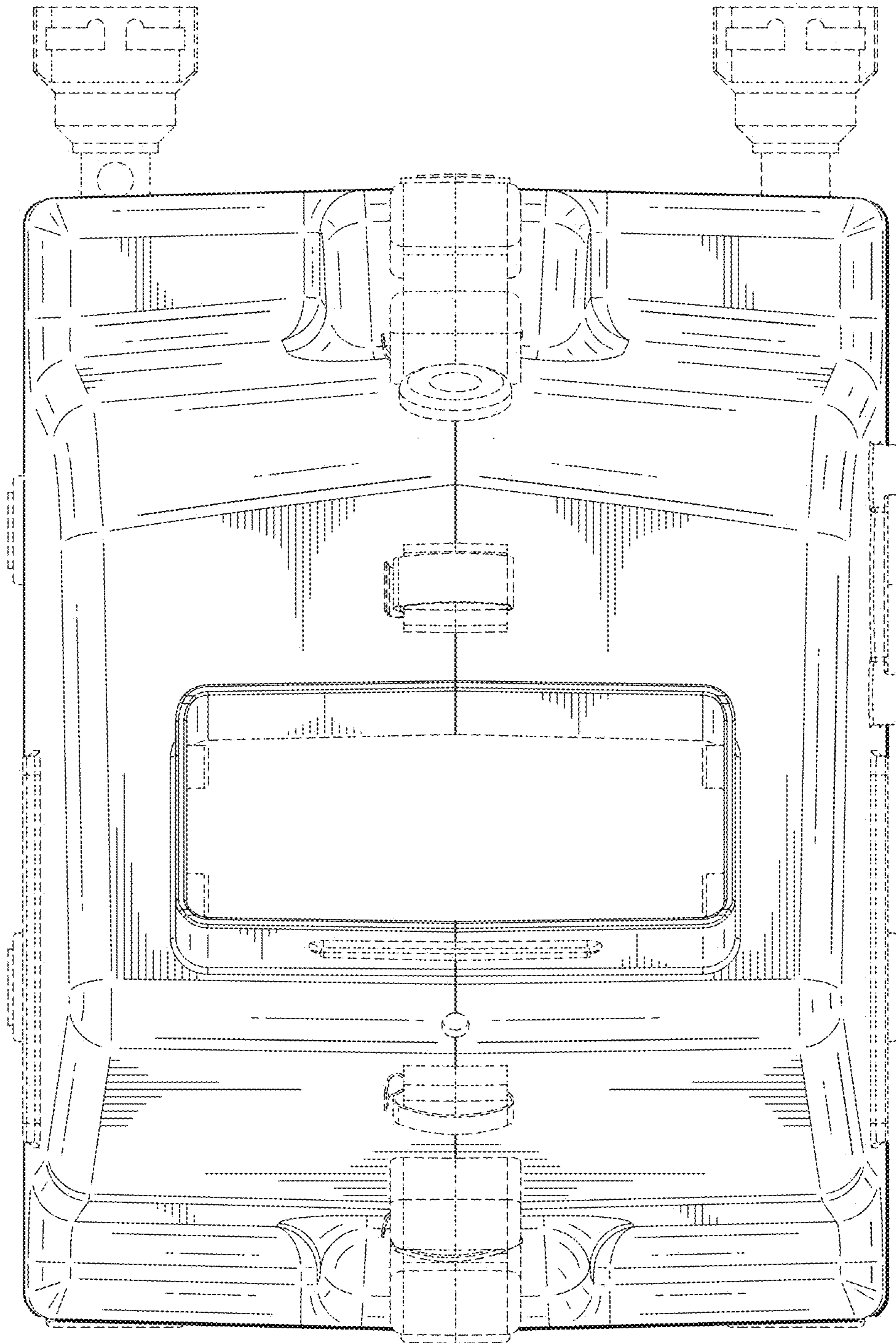


FIG. 3

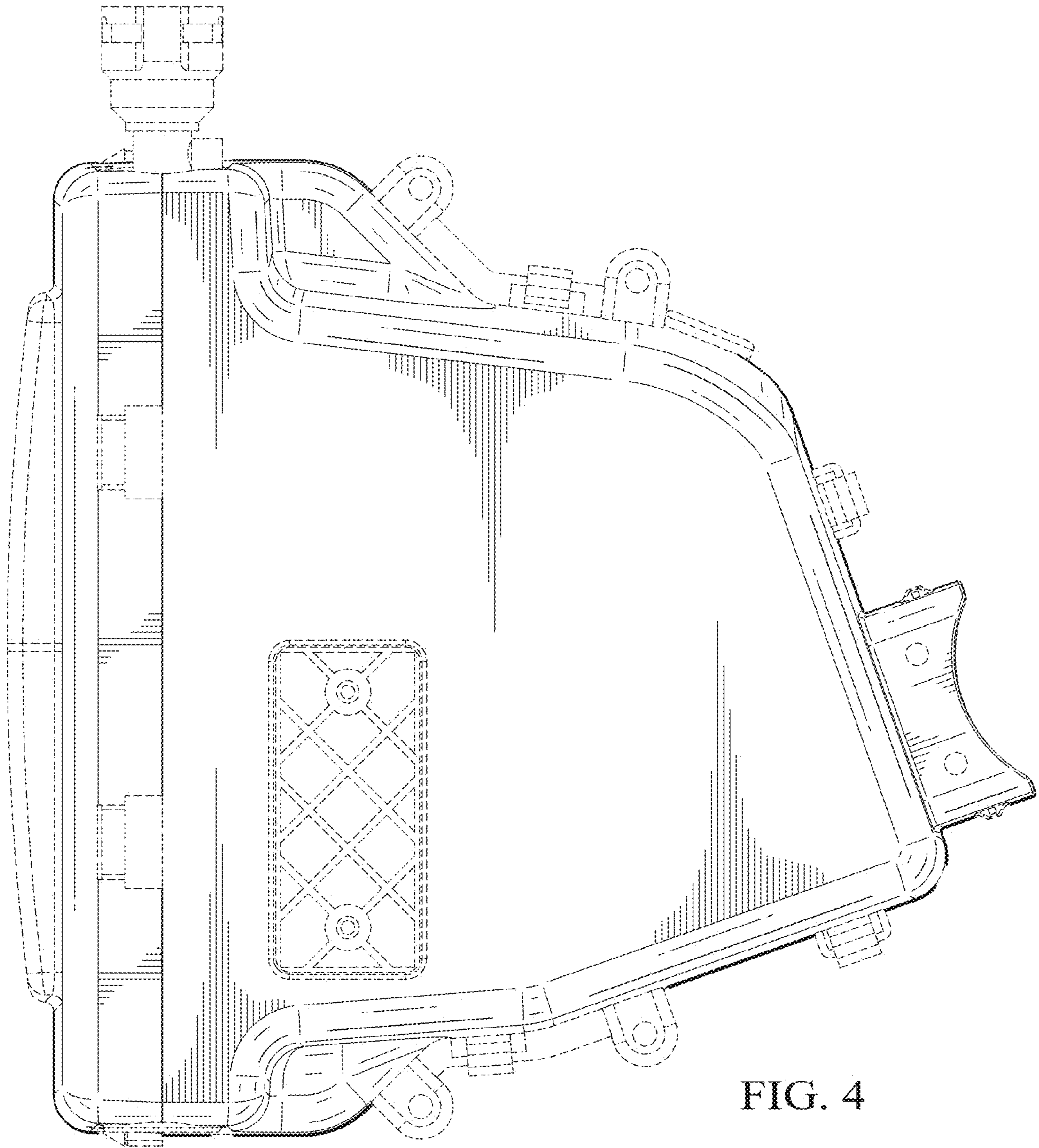


FIG. 4

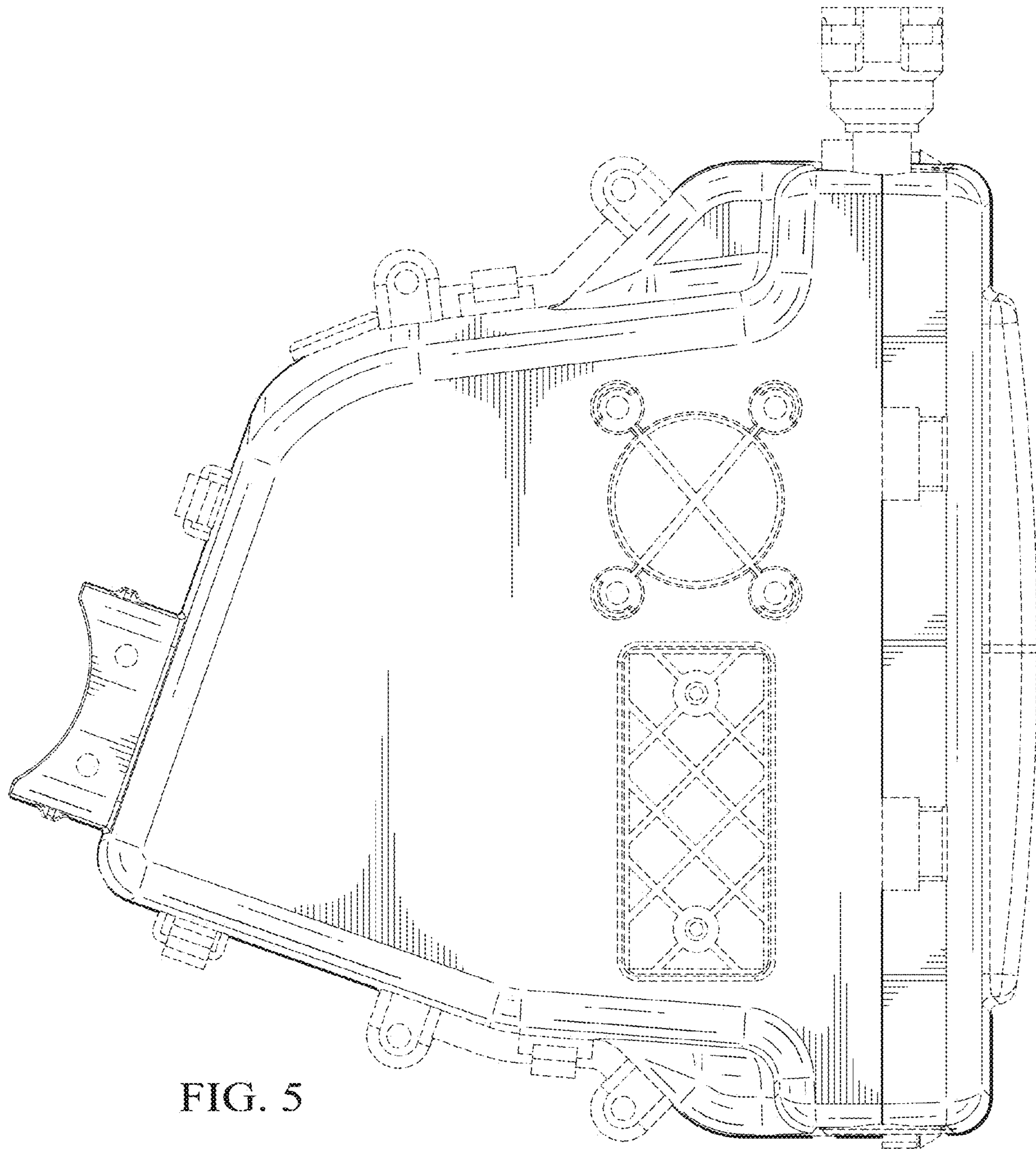


FIG. 5

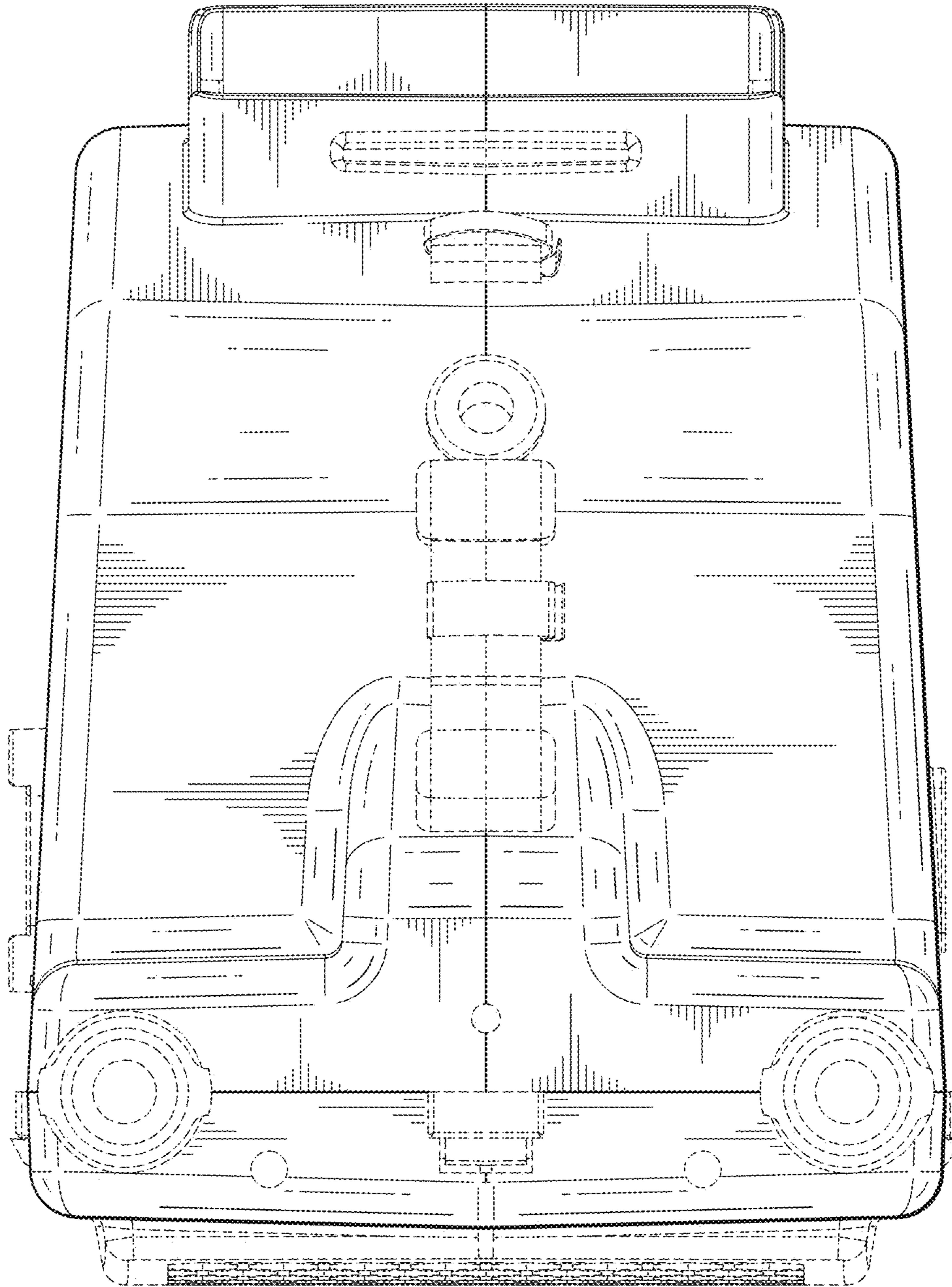


FIG. 6

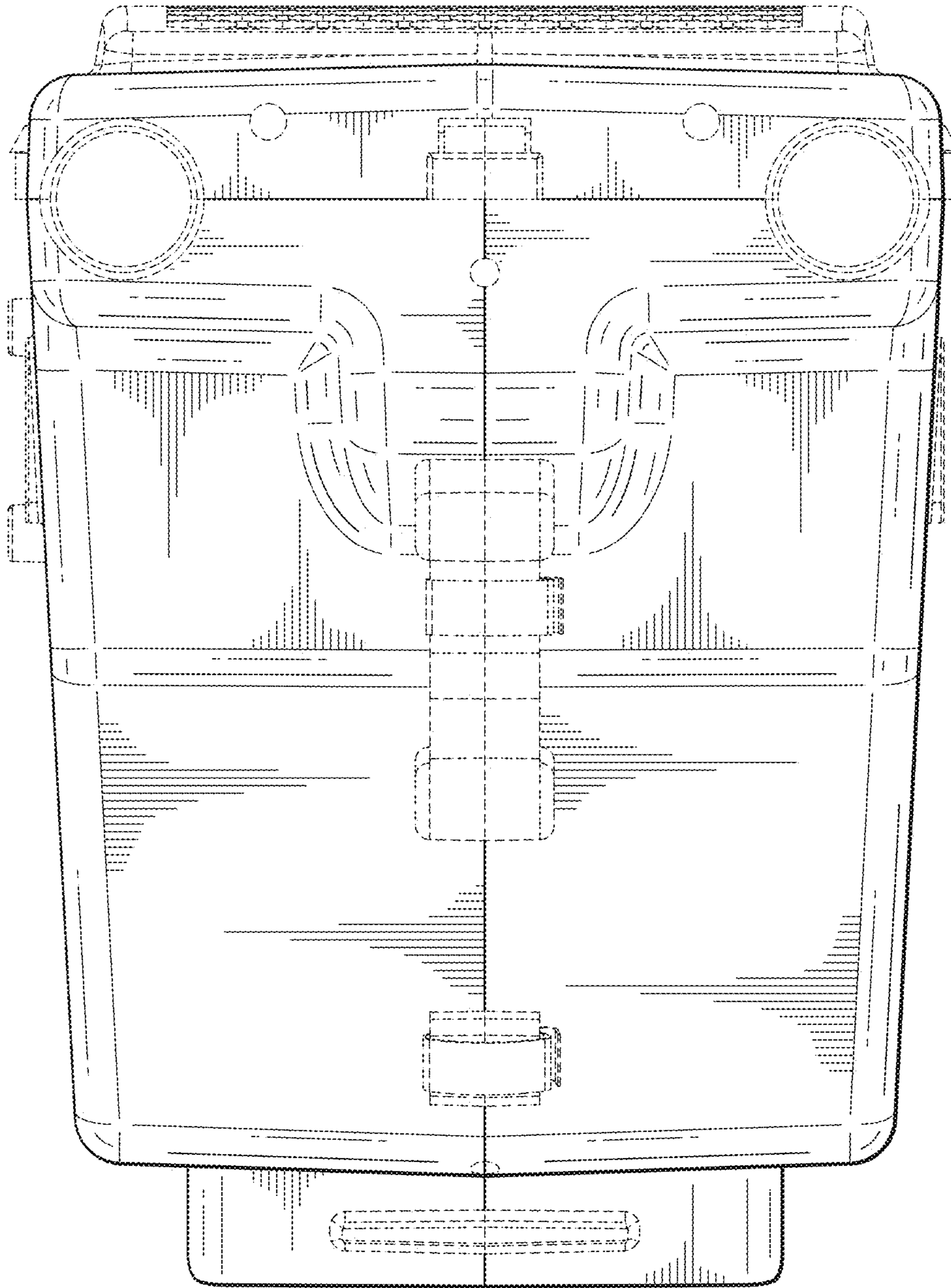


FIG. 7

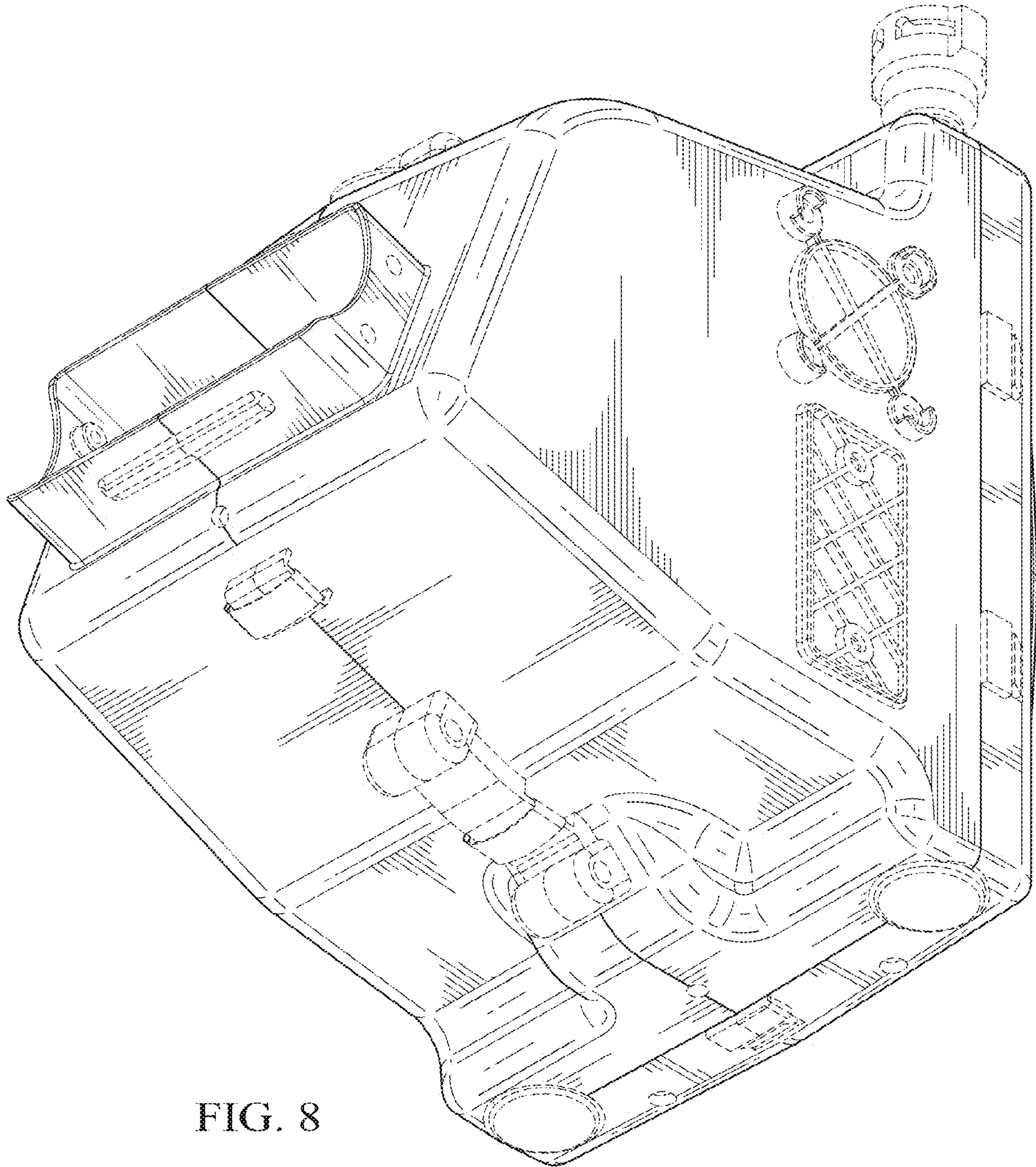


FIG. 8