



US00D948005S

(12) **United States Design Patent**
Zhang

(10) **Patent No.:** **US D948,005 S**

(45) **Date of Patent:** **** Apr. 5, 2022**

(54) **SINK STAND**

OTHER PUBLICATIONS

(71) Applicant: **SHENZHENSHI YUMAOTONG**
KEJI YOUXIANGONGSI, Shenzhen
(CN)

Pearlhaus 33" Lx20" W Freestanding Kitchen Sink: <https://www.perigold.com/kitchen/pdp/whitehaus-collection-pearlhaus-33-l-x-20-w-freestanding-kitchen-sink-whc2718.html?piid=> (Year: 2020).*

(72) Inventor: **Wei Zhang**, Shenzhen (CN)

Primary Examiner — Robert A Delehanty

(74) *Attorney, Agent, or Firm* — True Shepherd LLC;
Andrew C. Cheng

(73) Assignee: **SHENZHENSHI YUMAOTONG**
KEJI YOUXIANGONGSI, Shenzhen
(CN)

(57) **CLAIM**

The ornamental design for a sink stand, as shown and described.

(**) Term: **15 Years**

DESCRIPTION

(21) Appl. No.: **29/784,262**

FIG. 1 is a perspective view of a sink stand showing my new design according to a first embodiment;

(22) Filed: **May 18, 2021**

FIG. 2 is a perspective view in a use state with height adjustment elements fully screwed into four legs;

(51) **LOC (13) Cl.** **23-02**

FIG. 3 is another perspective view in a use state;

(52) **U.S. Cl.**
USPC **D23/286**

FIG. 4 is a front view thereof;

(58) **Field of Classification Search**
USPC D23/286–287; D24/234; D6/642, 655.1,
D6/655.11, 655.18
See application file for complete search history.

FIG. 5 is a rear view thereof;

FIG. 6 is a left side view thereof;

FIG. 7 is a right side view thereof;

FIG. 8 is a top plan view thereof;

FIG. 9 is a bottom plan view thereof;

FIG. 10 is an enlarged view of portion 10 shown in FIG. 1

FIG. 11 is a perspective view of a sink stand showing my new design according to a second embodiment;

FIG. 12 is a perspective view in a use state with height adjustment elements fully screwed into four legs;

FIG. 13 is another perspective view in a use state;

FIG. 14 is a front view thereof;

FIG. 15 is a rear view thereof;

FIG. 16 is a left side view thereof;

FIG. 17 is a right side view thereof;

FIG. 18 is a top plan view thereof;

FIG. 19 is a bottom plan view thereof; and,

FIG. 20 is an enlarged view of portion 20 shown in FIG. 14.

The broken lines depict portions of the sink stand and form no part of the claimed design.

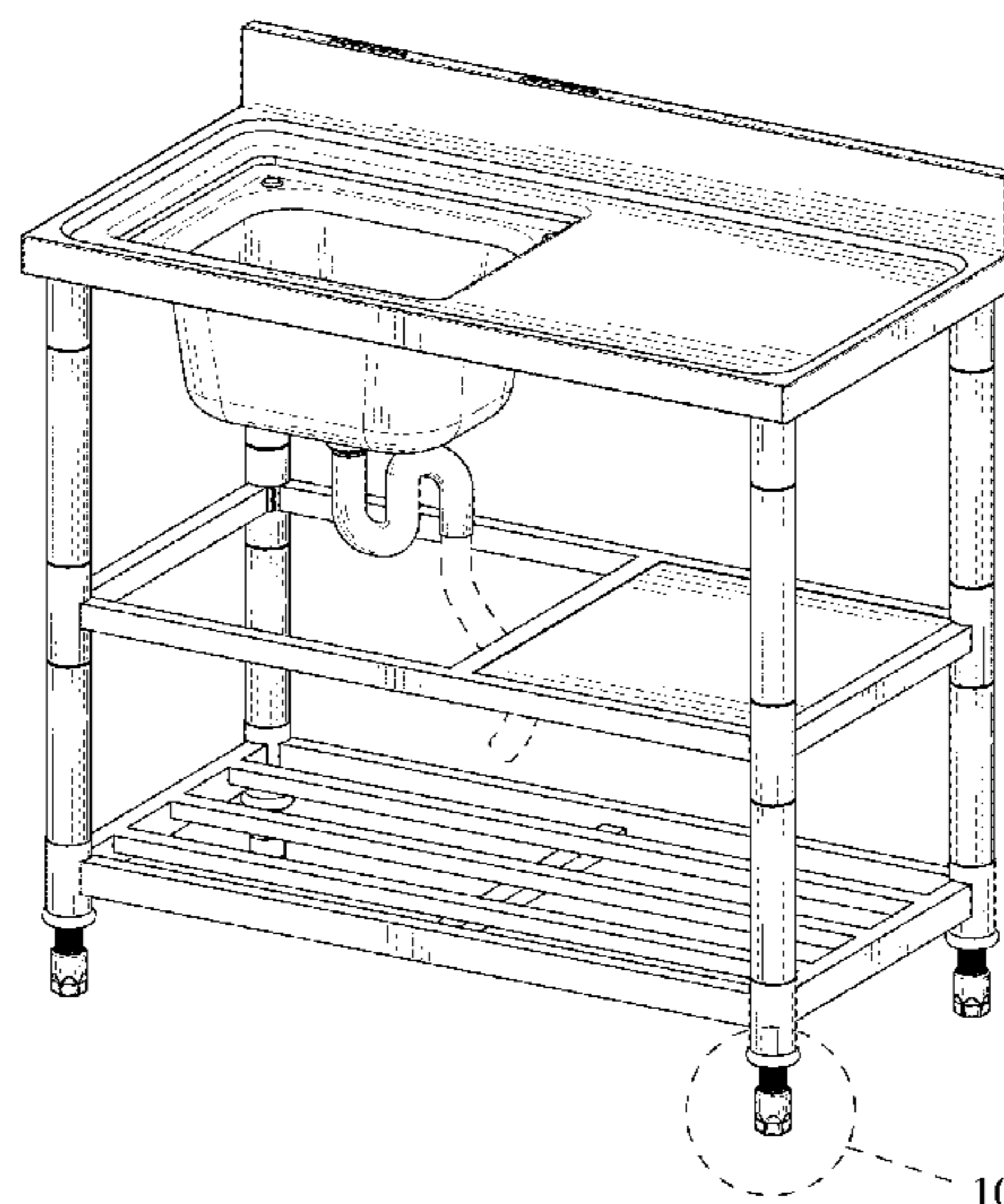
(56) **References Cited**

U.S. PATENT DOCUMENTS

D585,119 S *	1/2009	Kitzmilller	D23/287
7,721,364 B2 *	5/2010	Pearson	E03C 1/18 4/631
D630,717 S	1/2011	Spangler		
8,117,689 B2 *	2/2012	Slayton	E03C 1/18 4/619
D676,945 S *	2/2013	Schindler	D23/286
D697,185 S	1/2014	Urry		
D728,762 S *	5/2015	Mayer	D23/286

(Continued)

1 Claim, 20 Drawing Sheets



(56)

References Cited

U.S. PATENT DOCUMENTS

9,790,674 B1 * 10/2017 Reese E03C 1/18
D848,587 S 5/2019 Bucher
D914,167 S * 3/2021 Parisio D23/286
D914,169 S * 3/2021 Parisio D23/286
2020/0181896 A1 * 6/2020 Broussard E03C 1/18

* cited by examiner

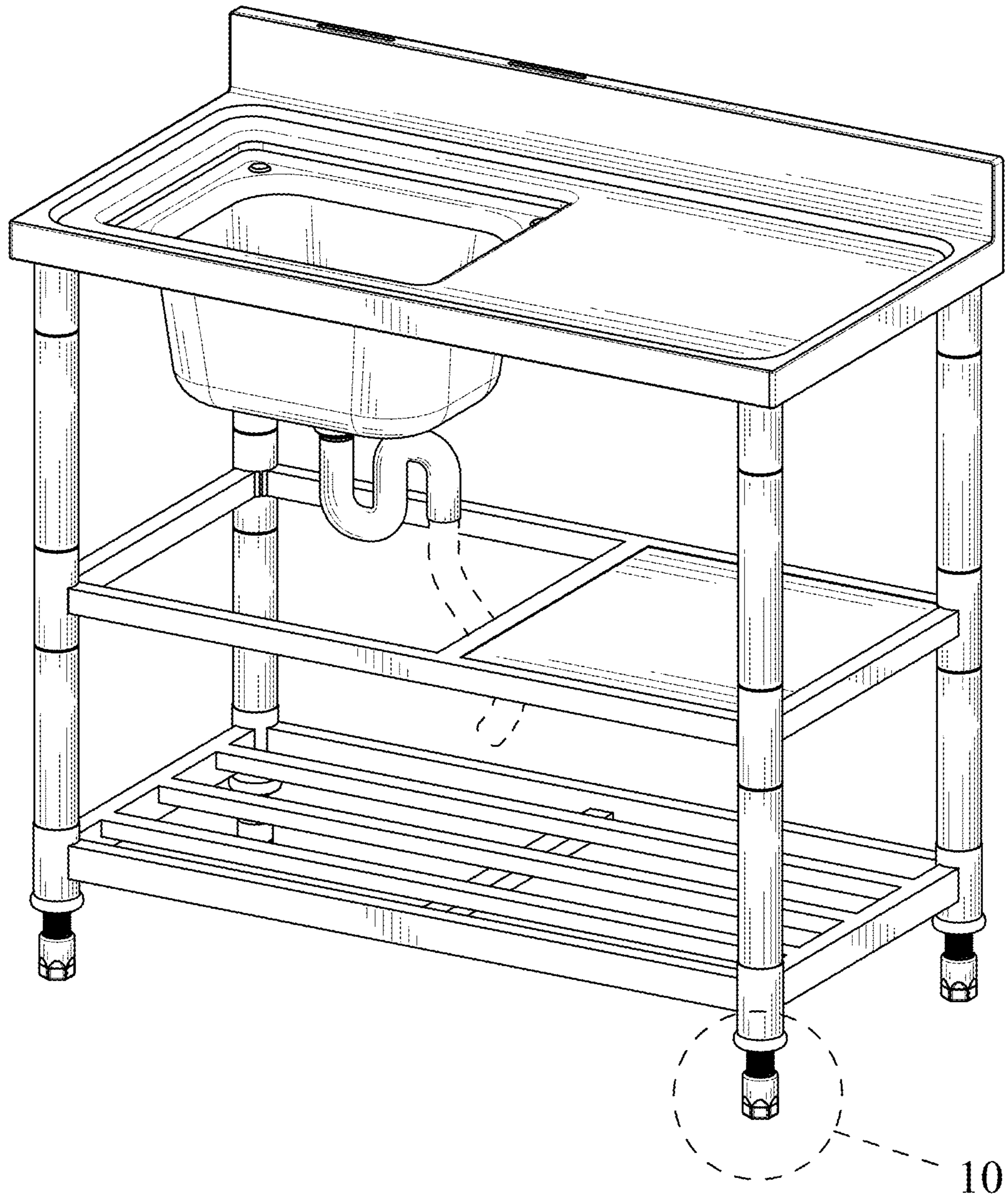


FIG. 1

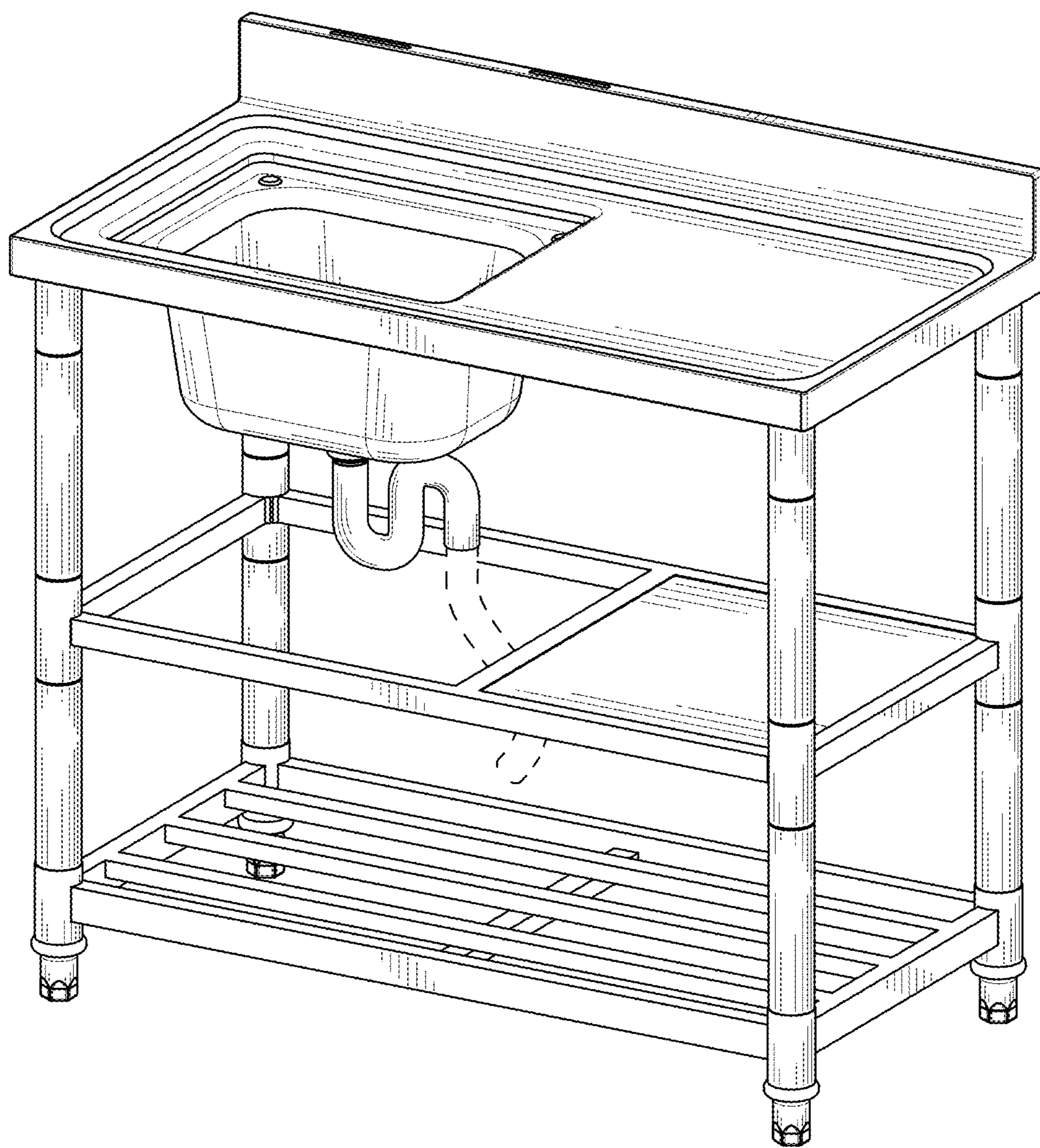


FIG. 2

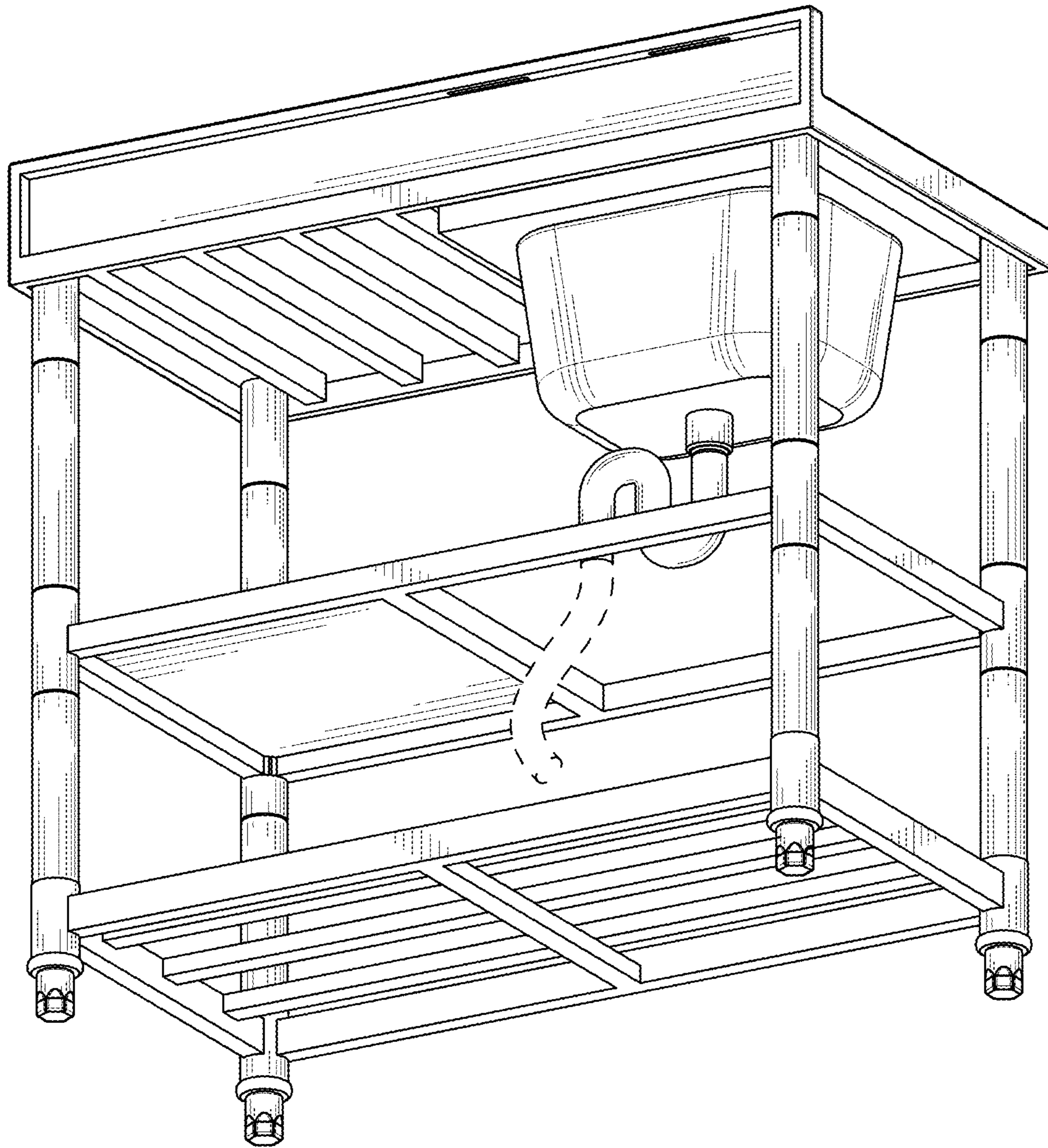


FIG. 3

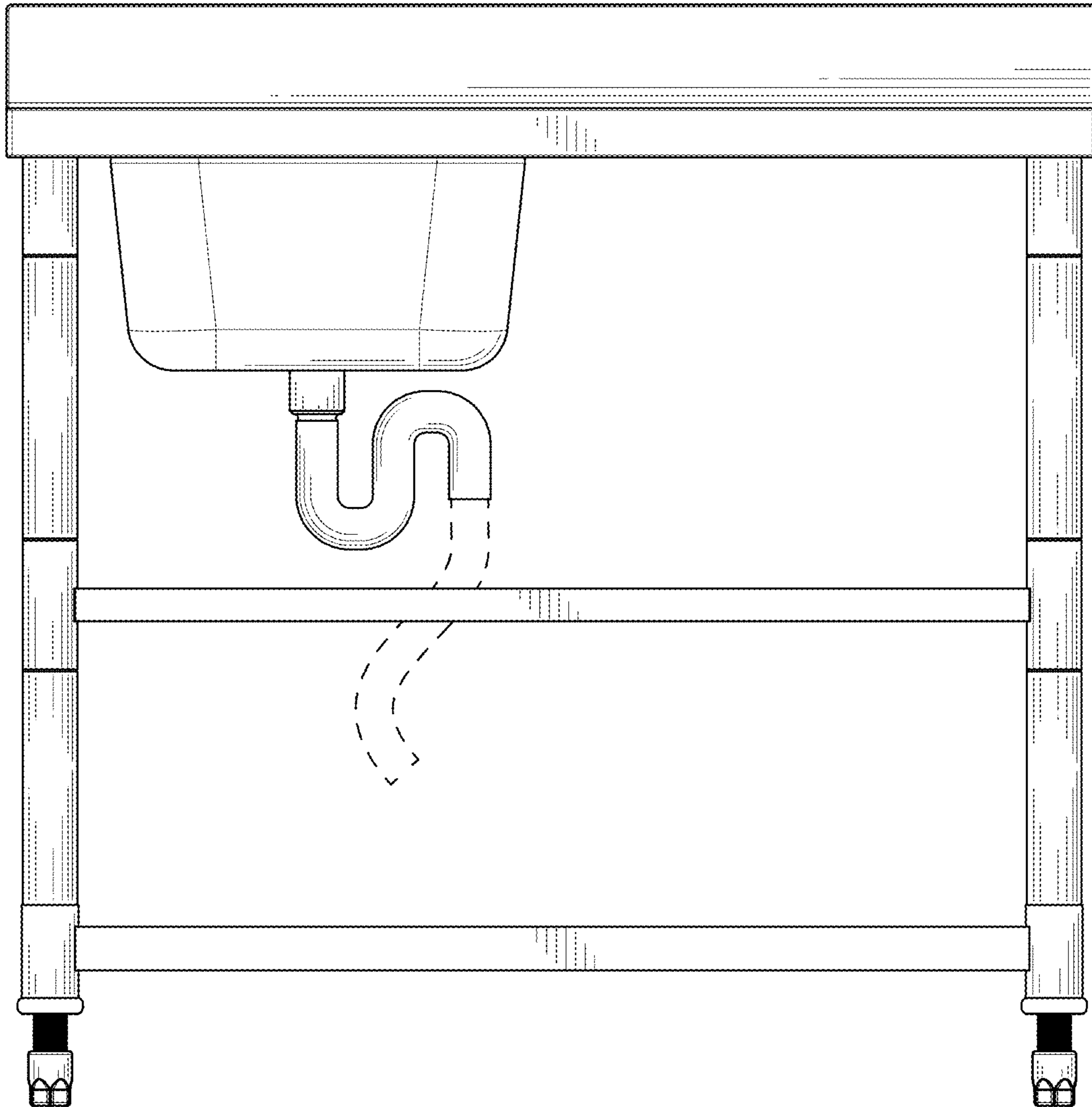


FIG. 4

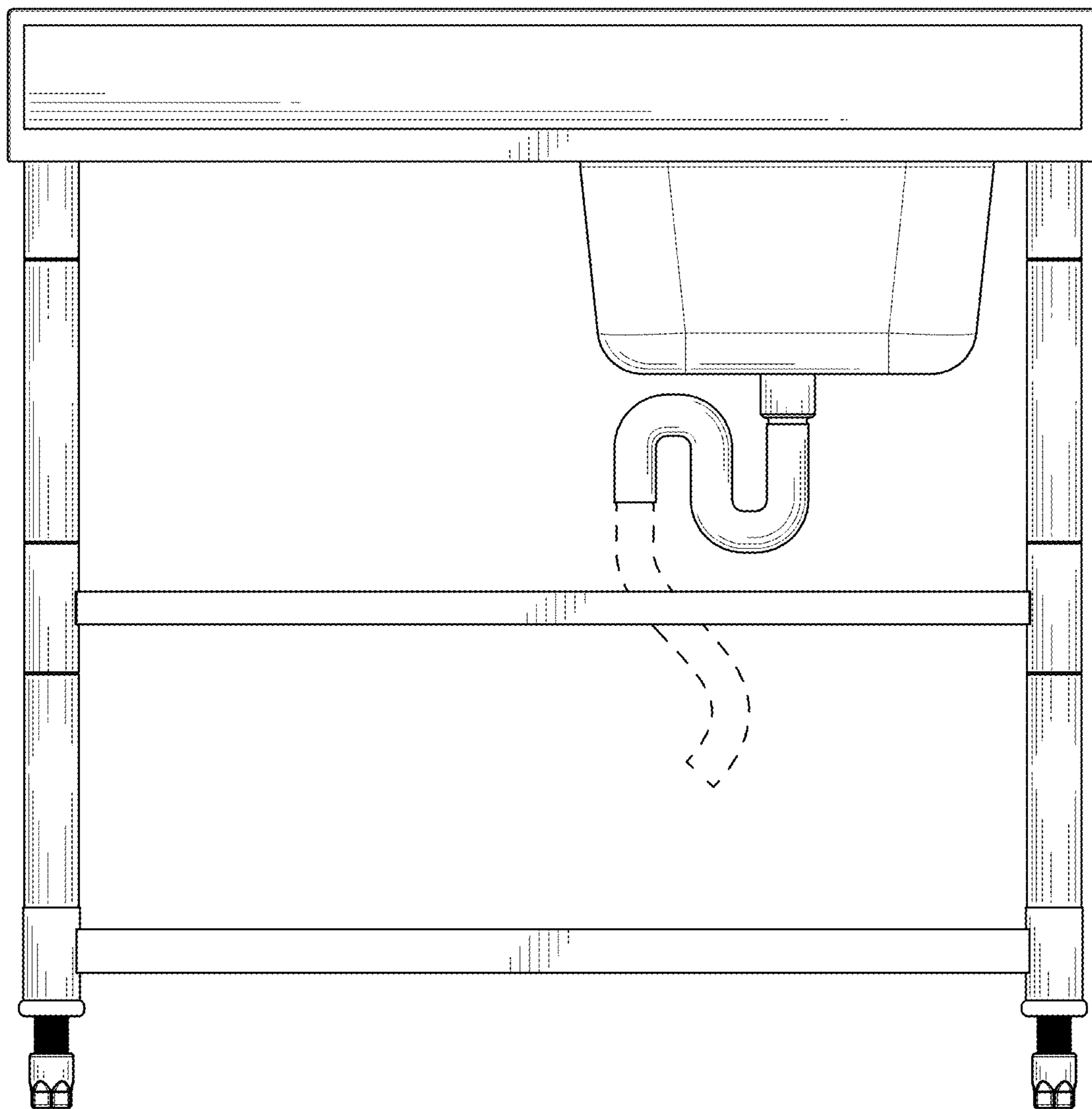


FIG. 5

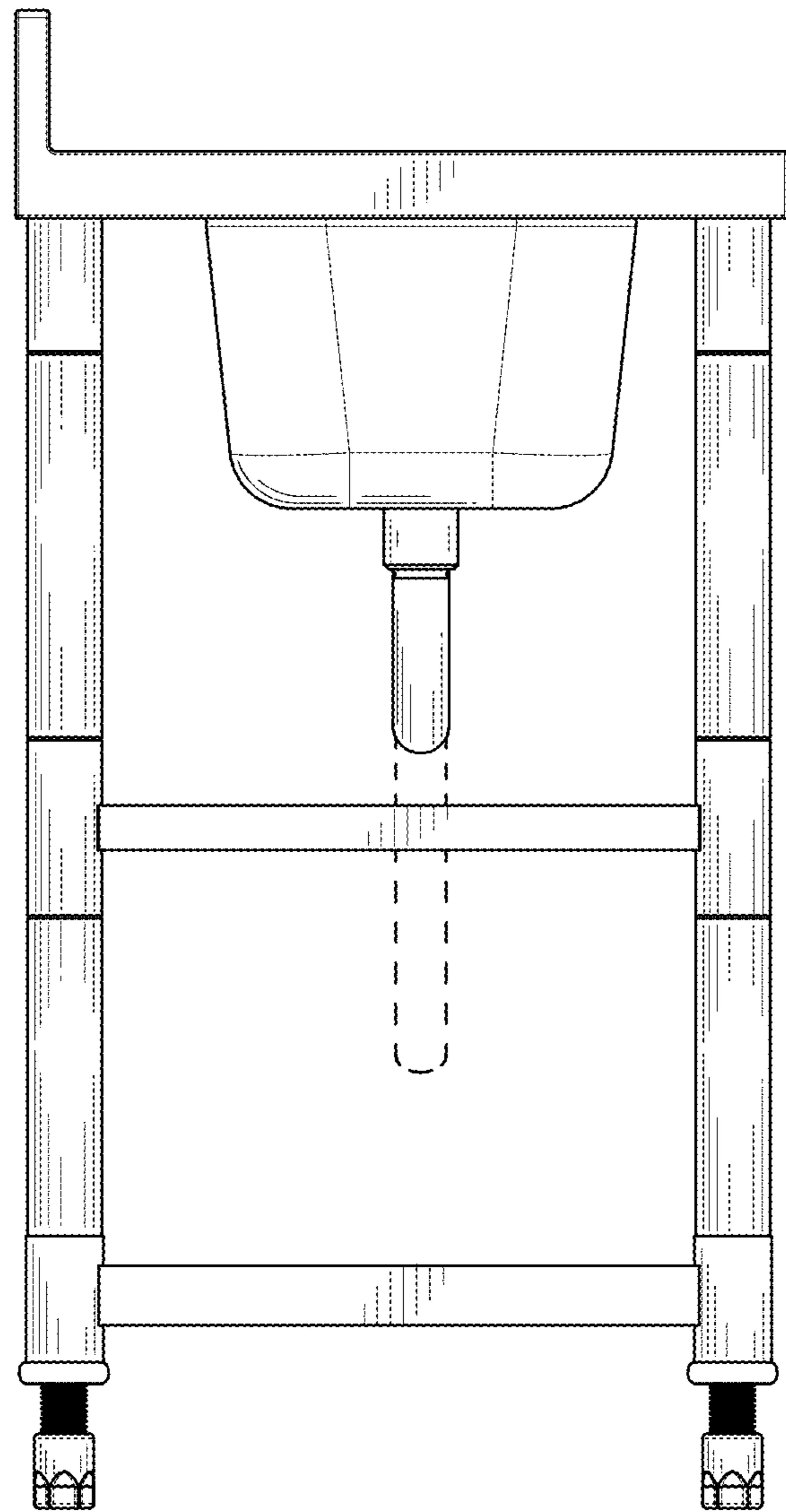


FIG. 6

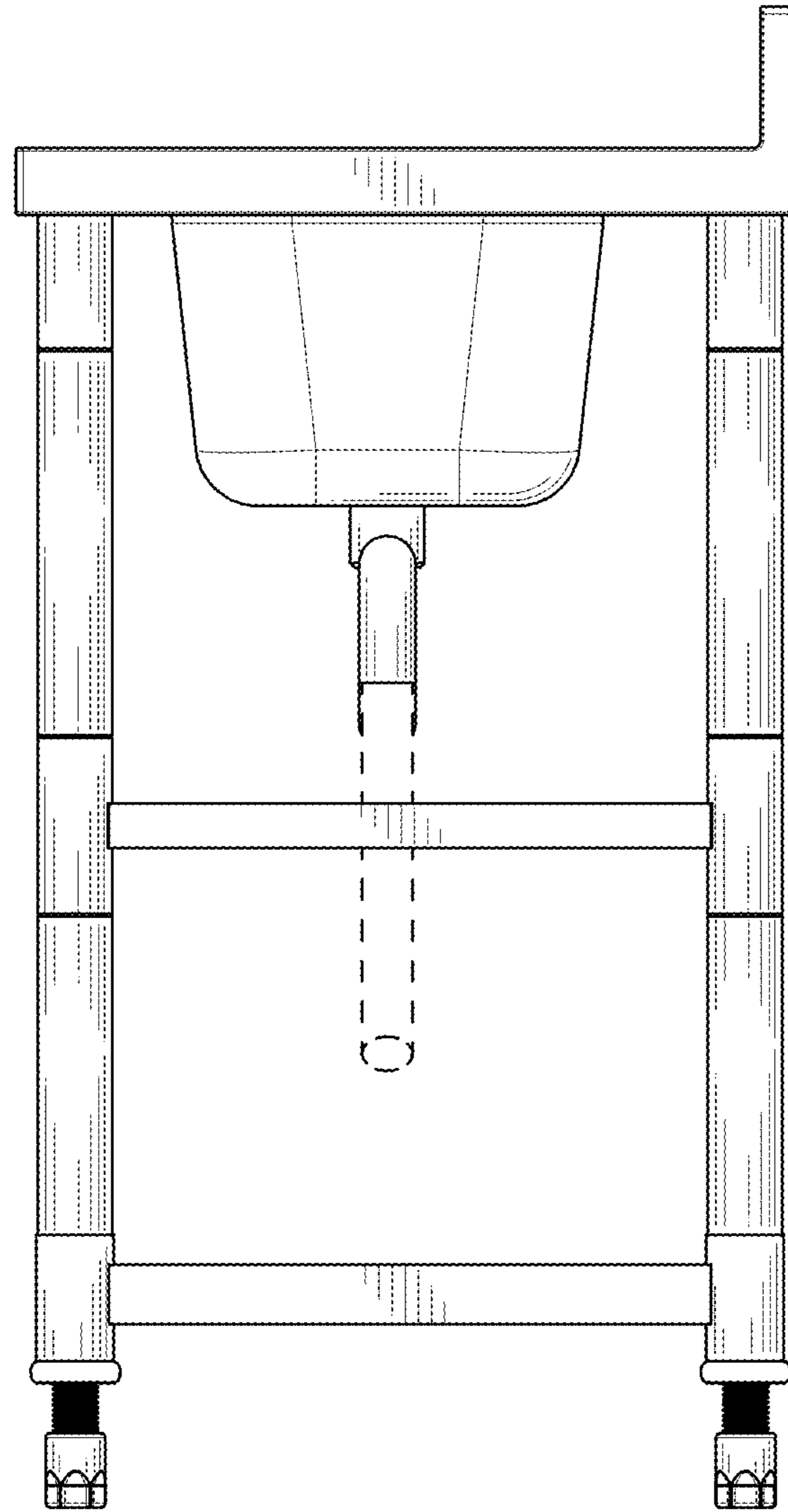


FIG. 7

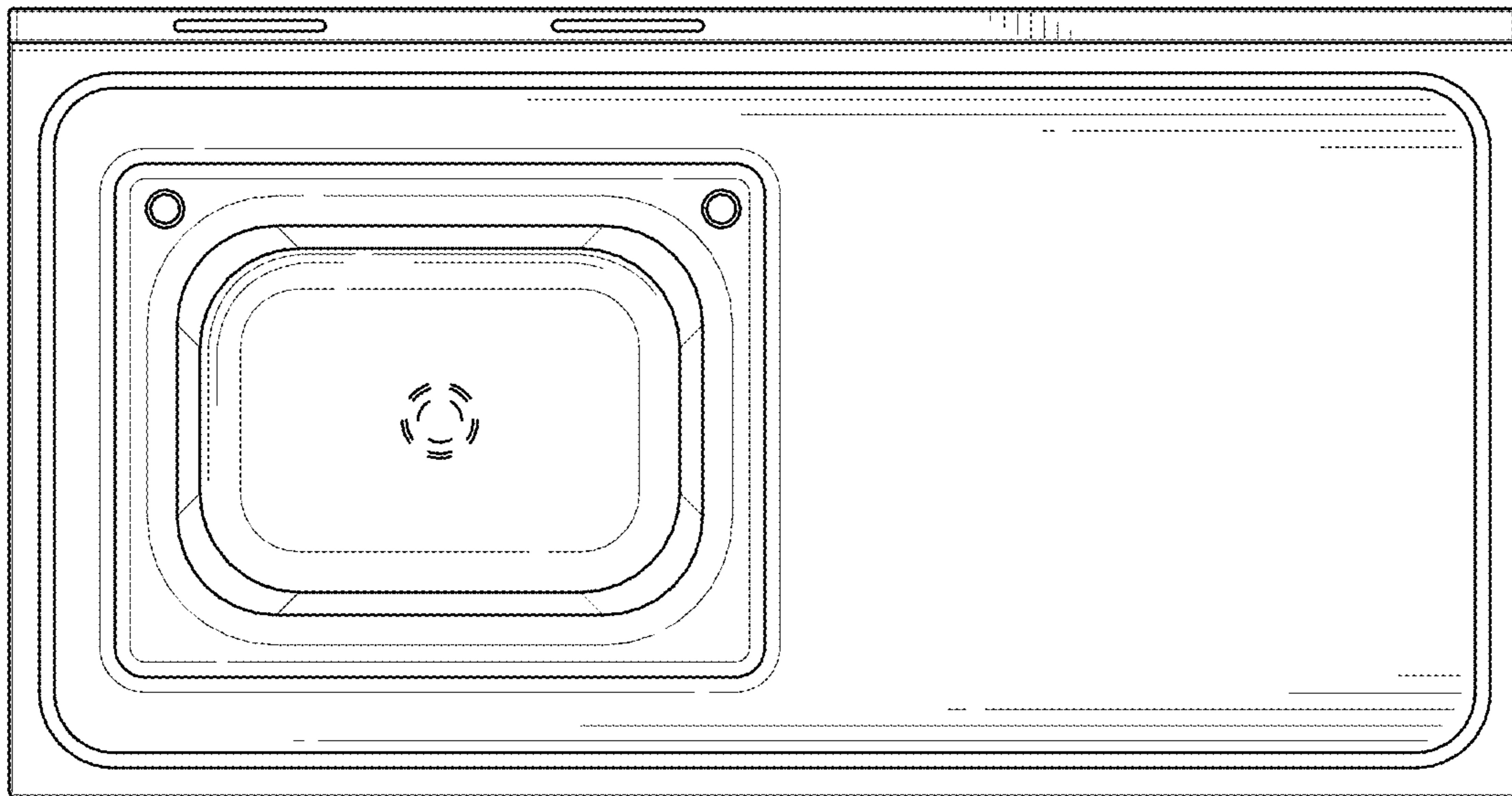


FIG. 8

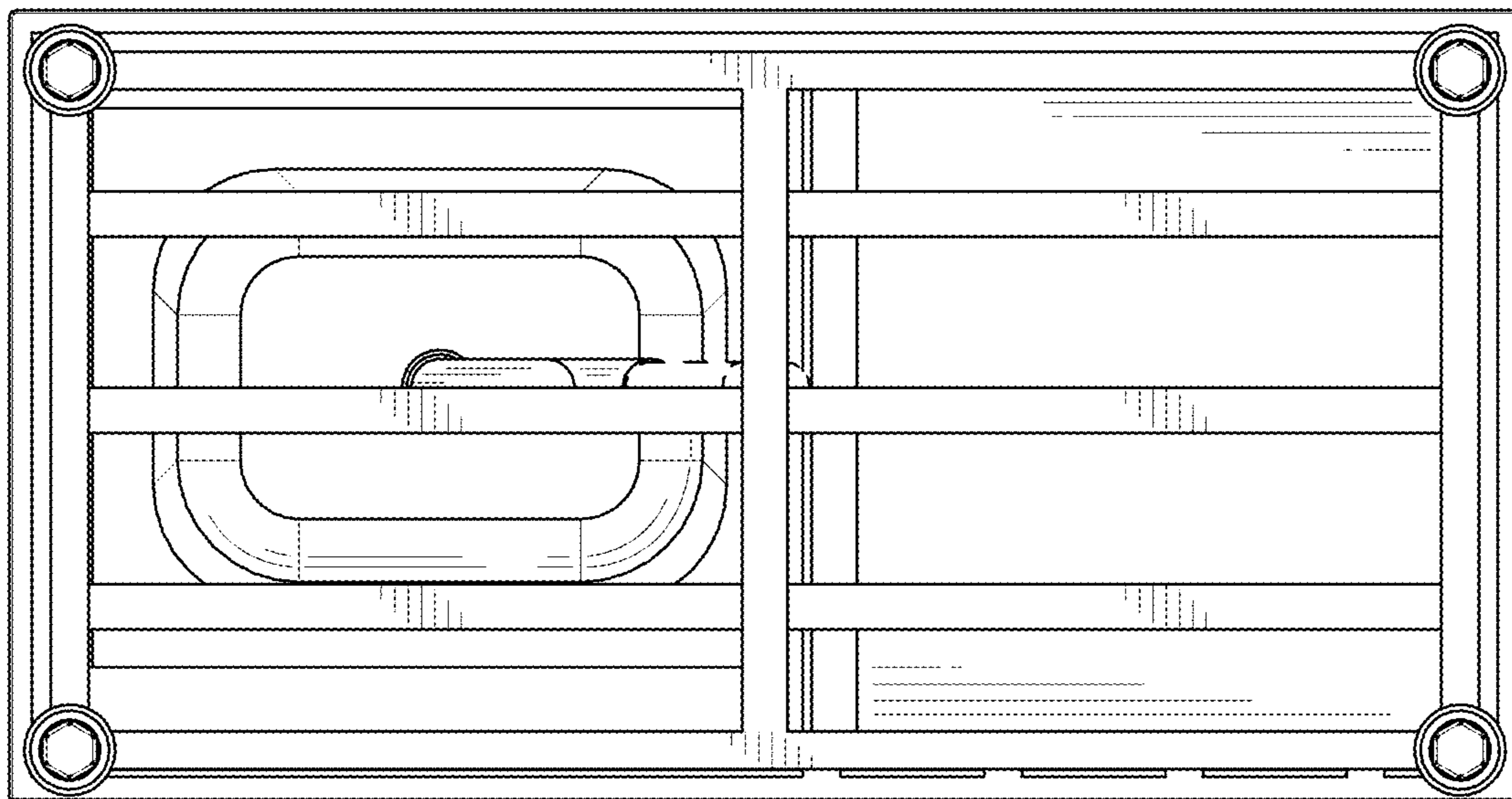


FIG. 9

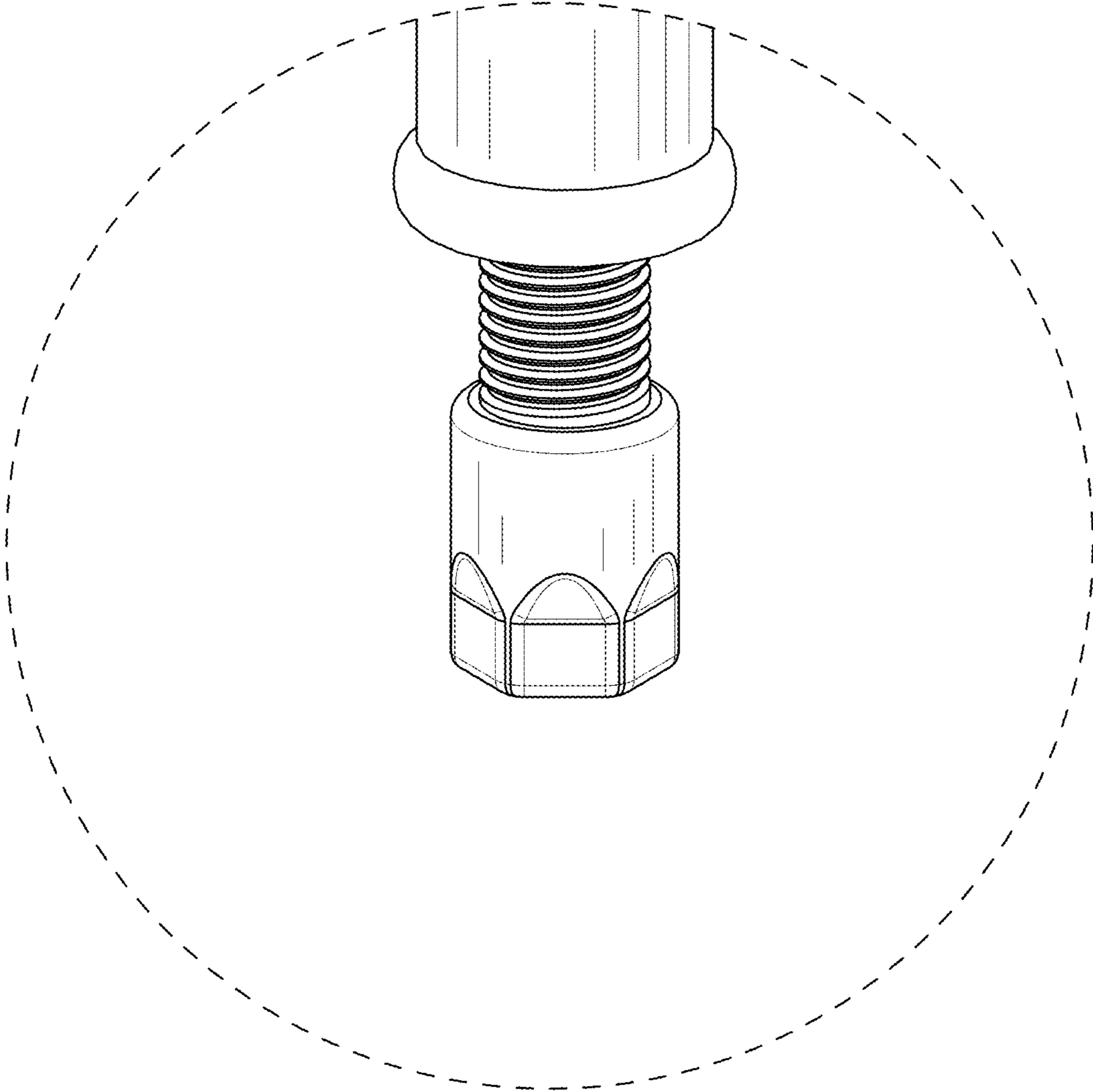


FIG. 10

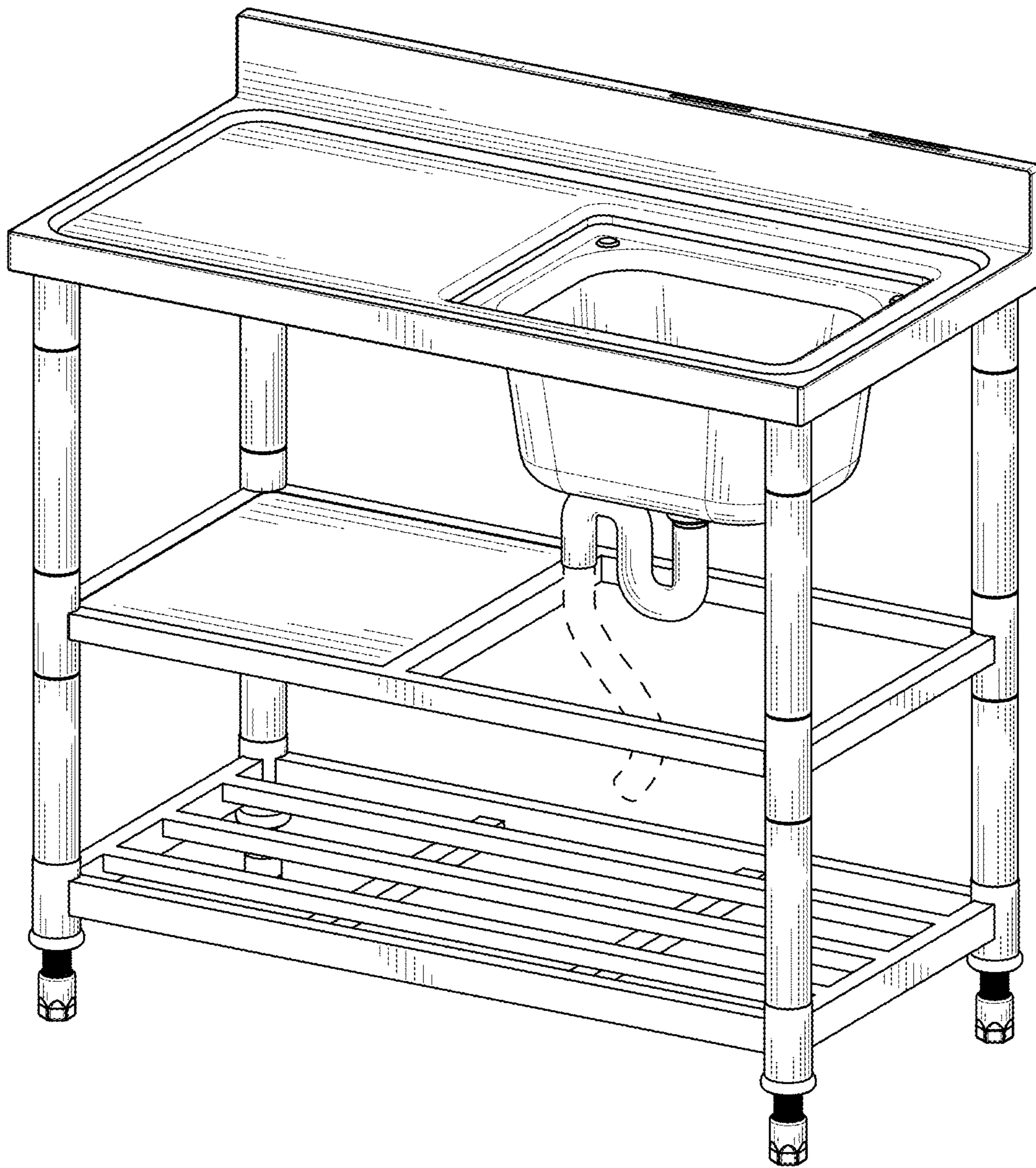


FIG. 11

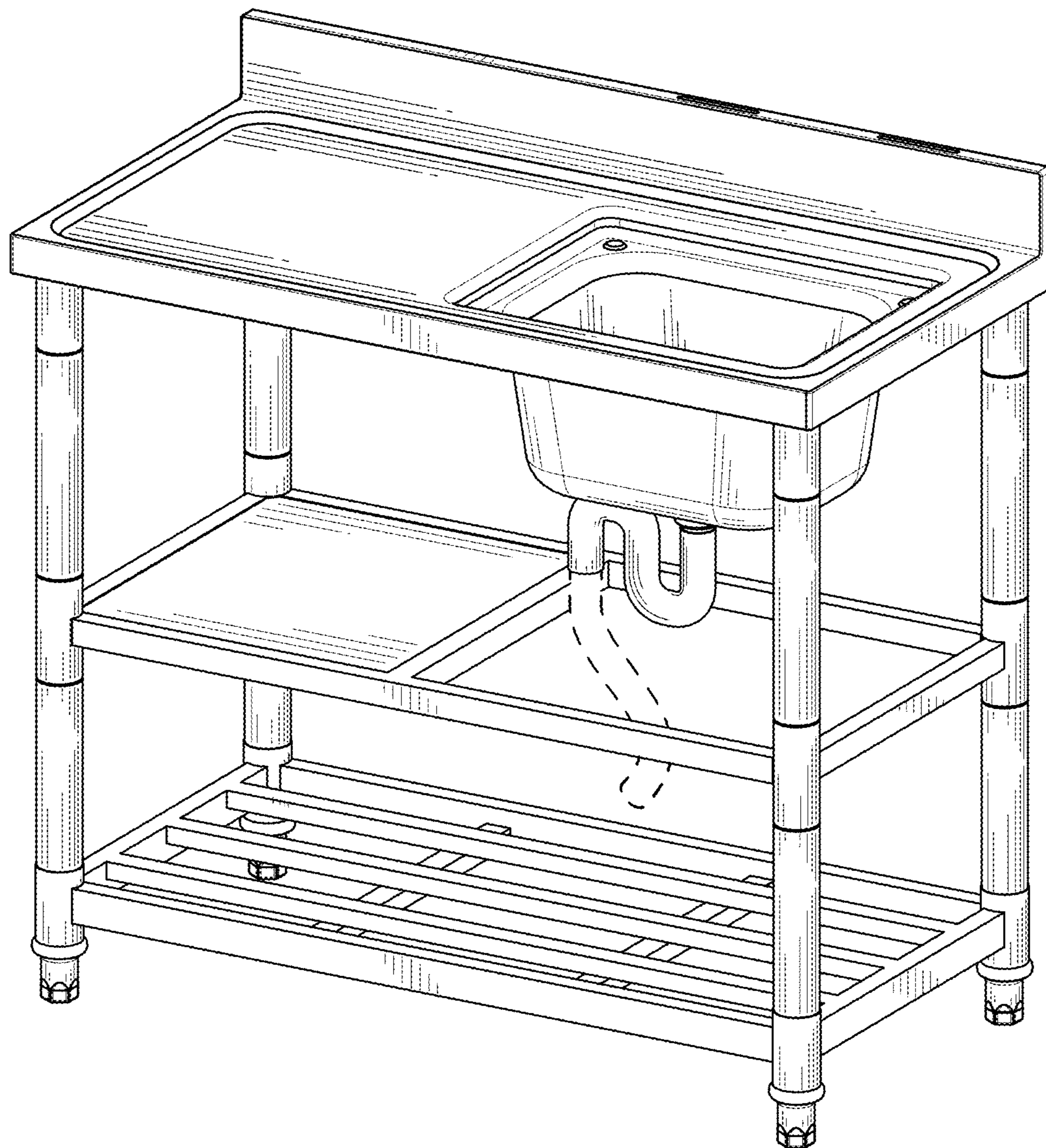


FIG. 12

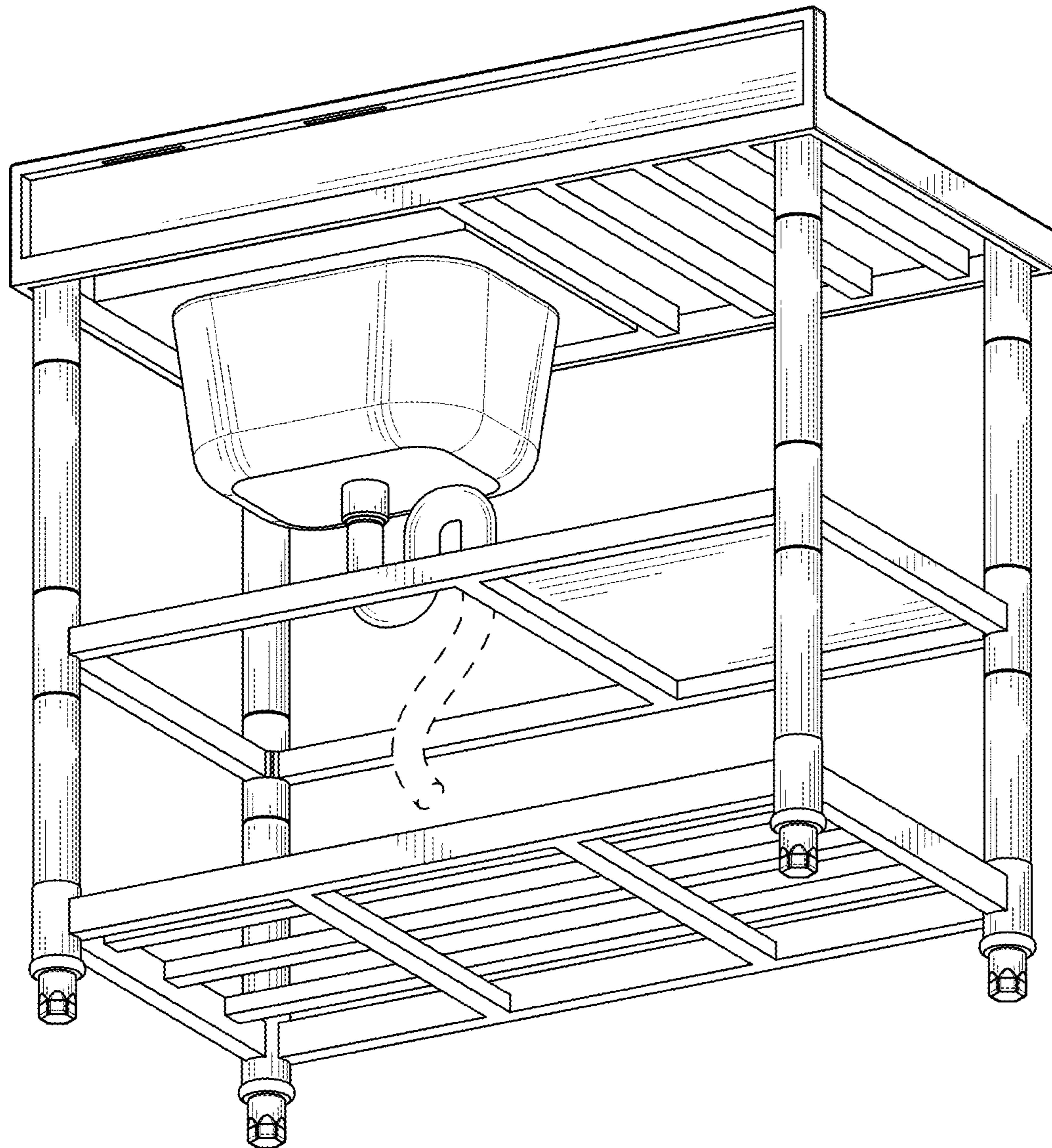


FIG. 13

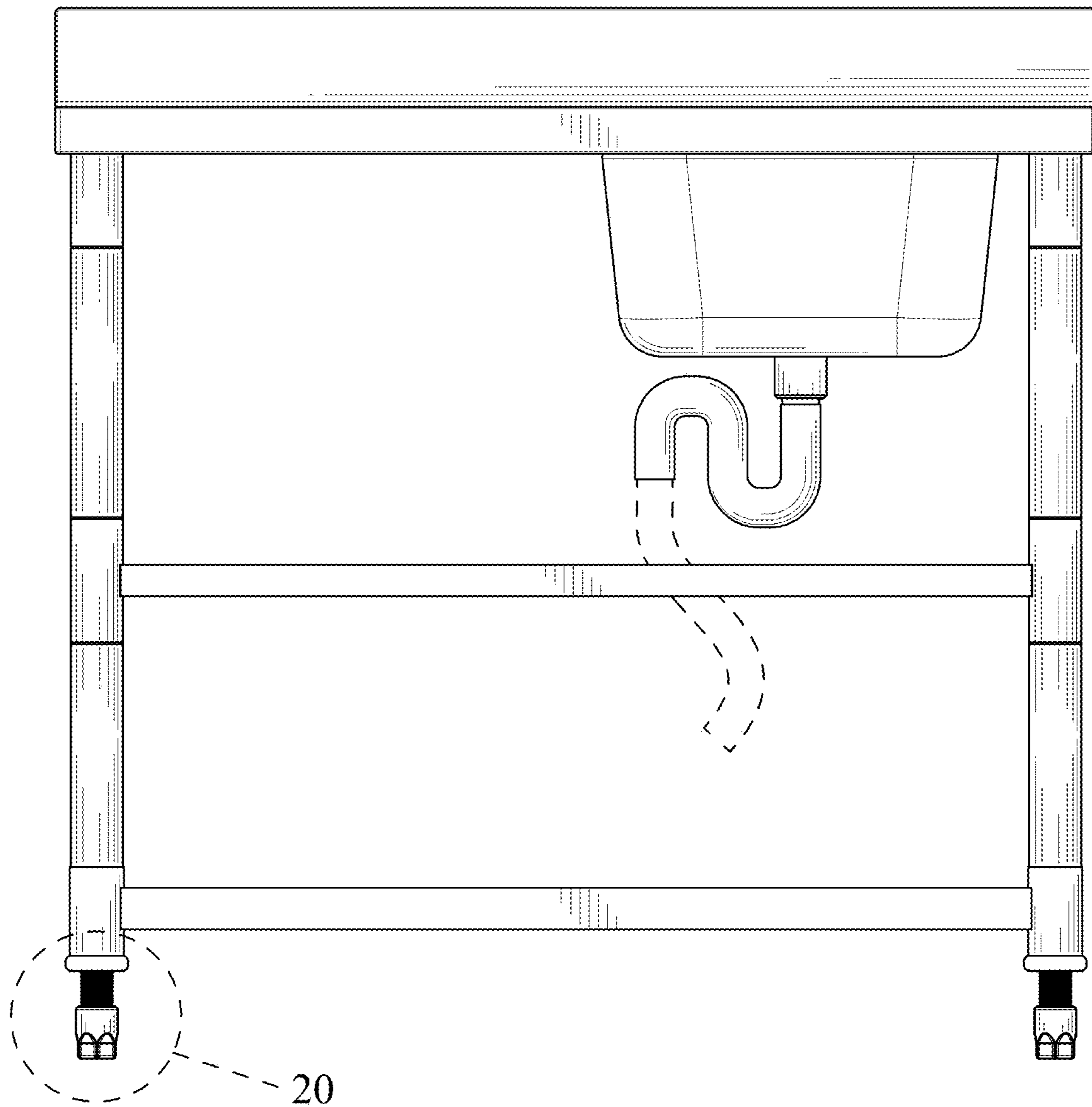


FIG. 14

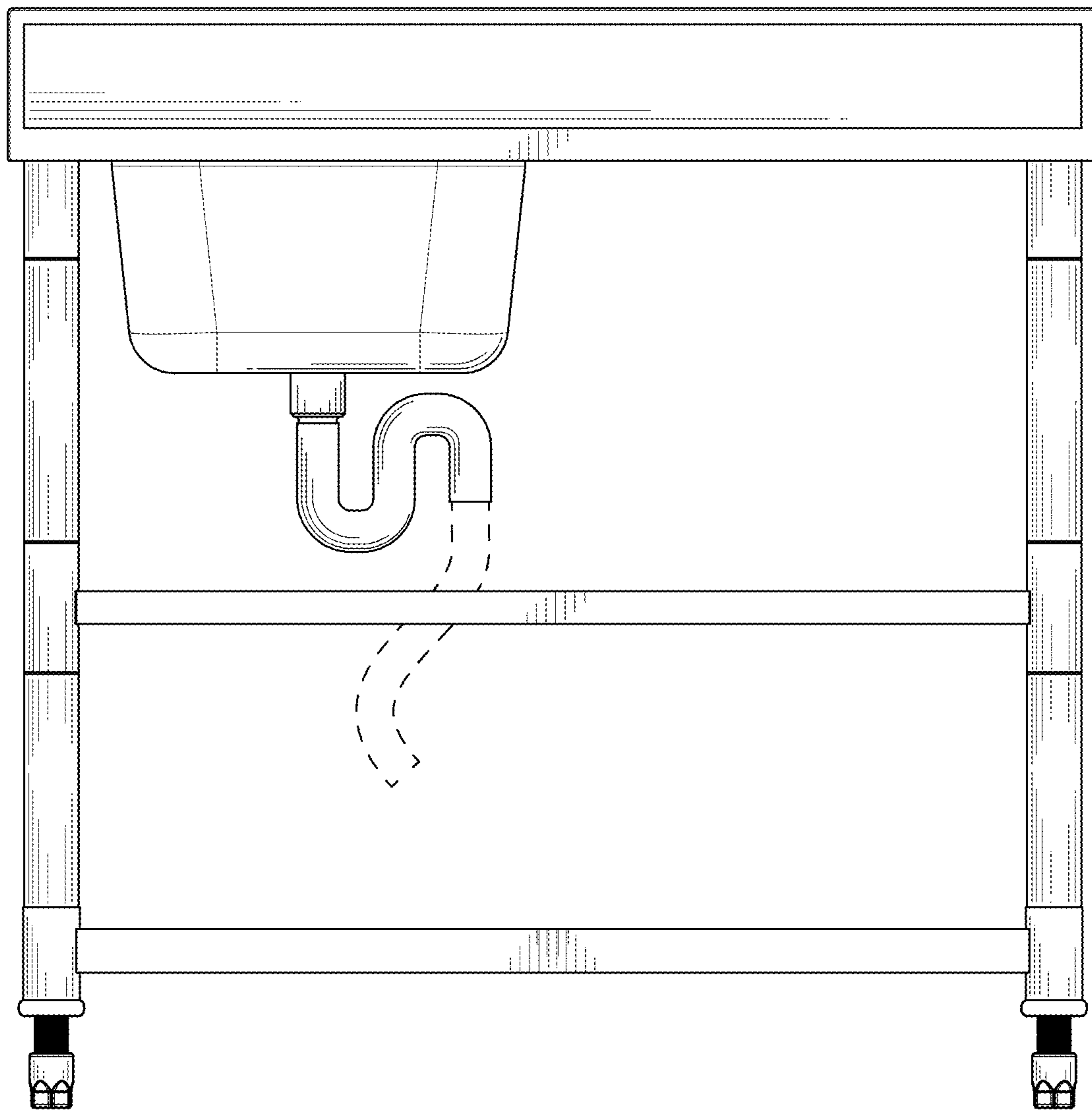


FIG. 15

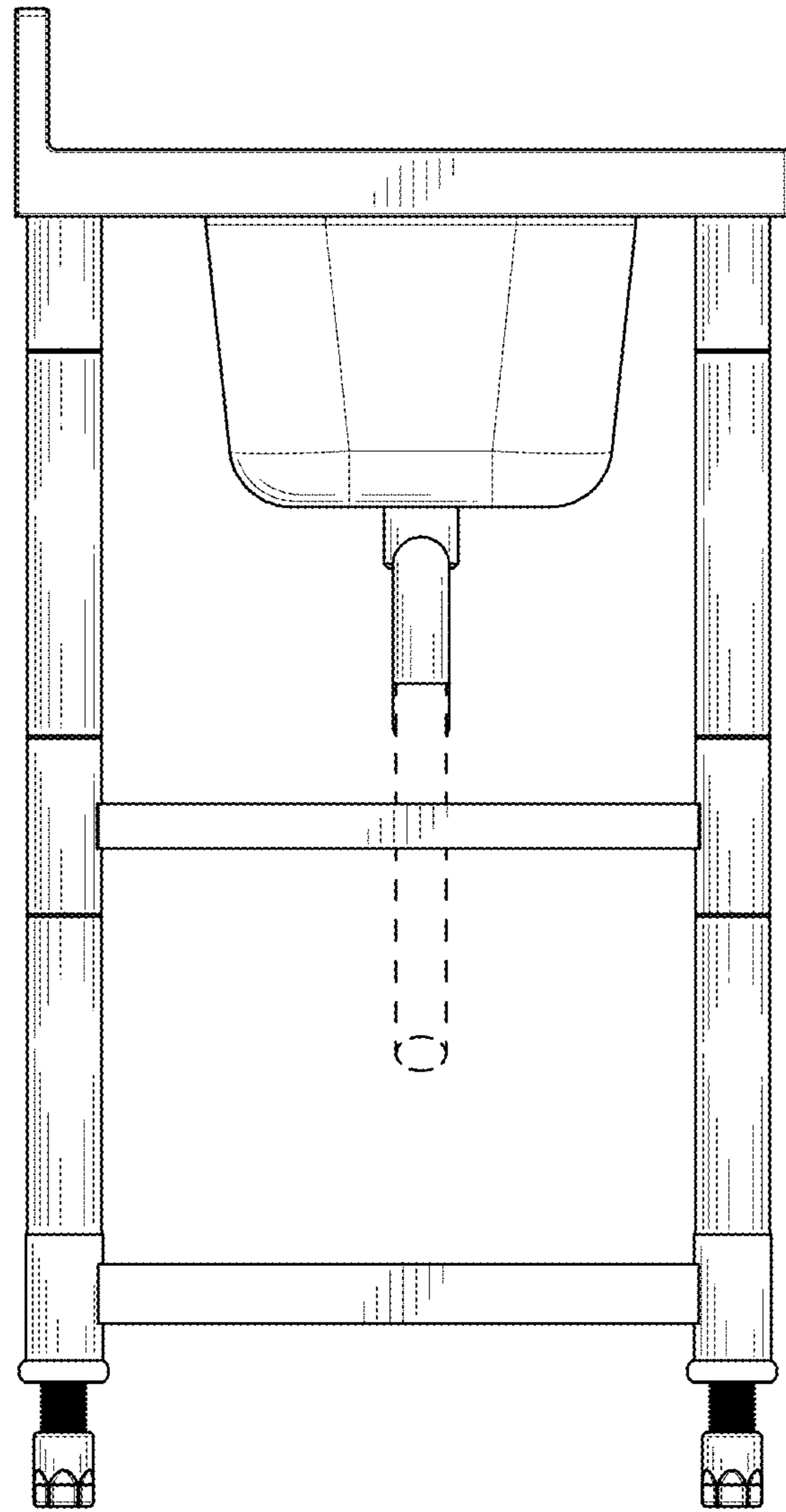


FIG. 16

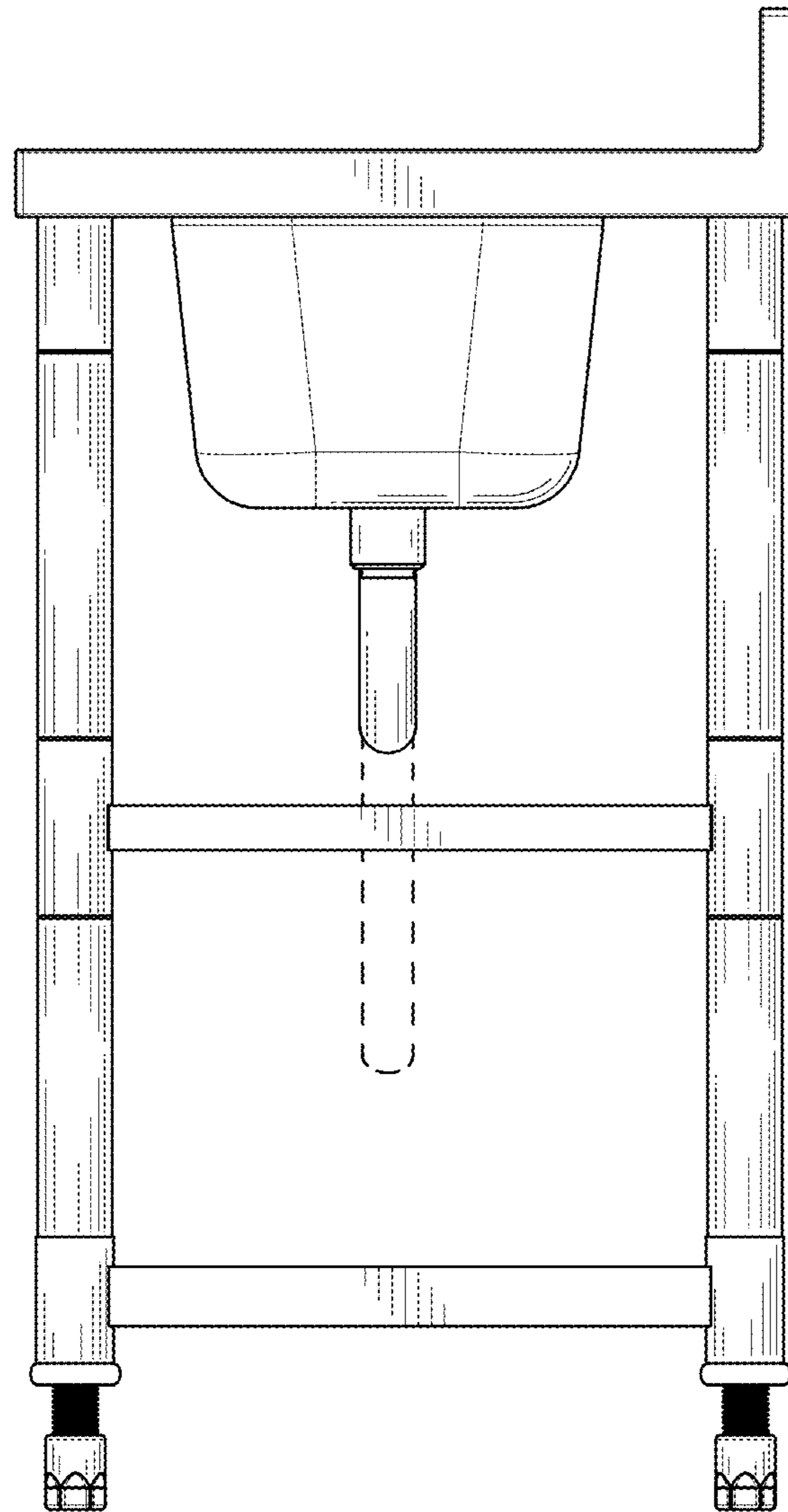


FIG. 17

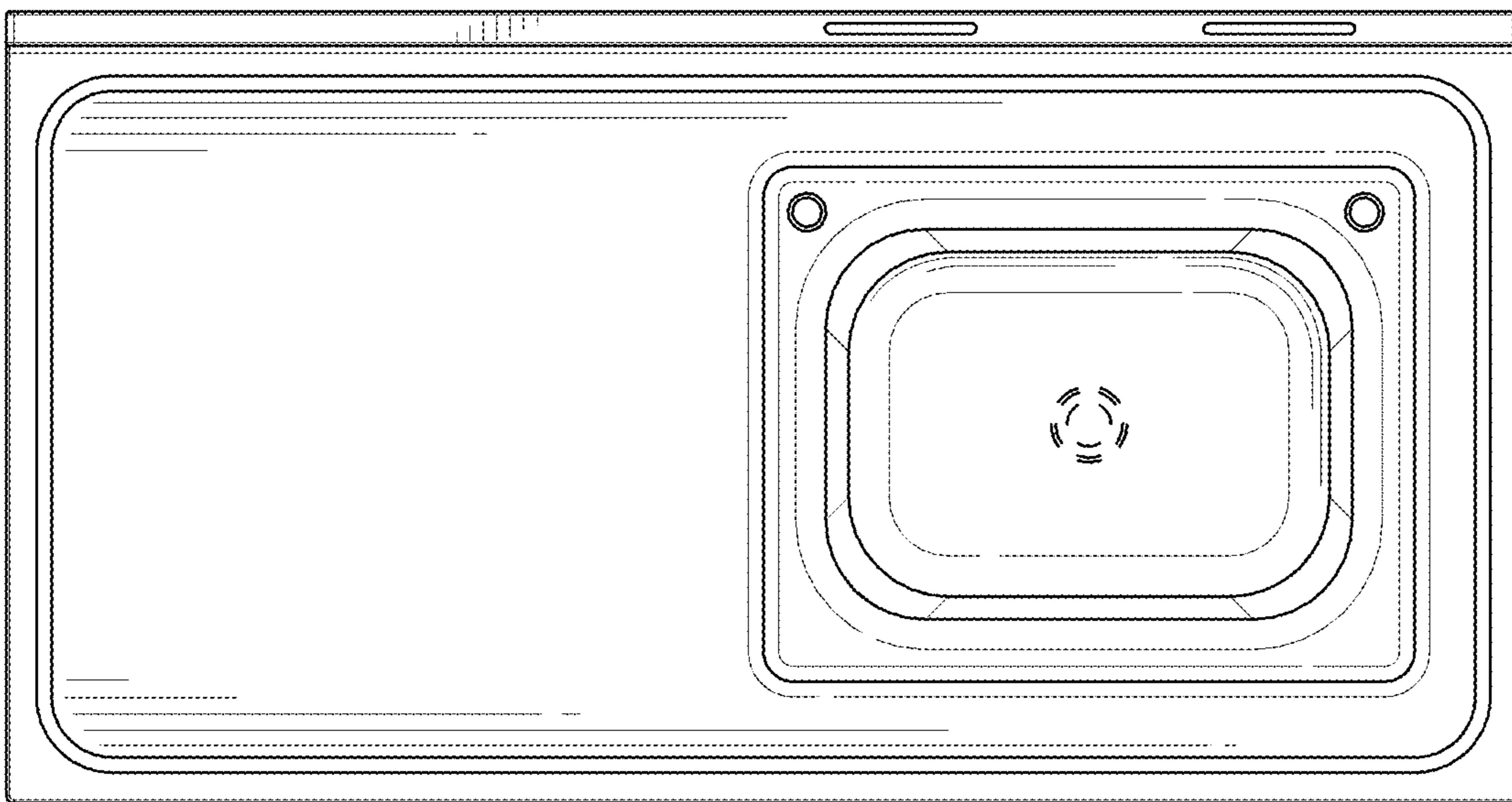


FIG. 18

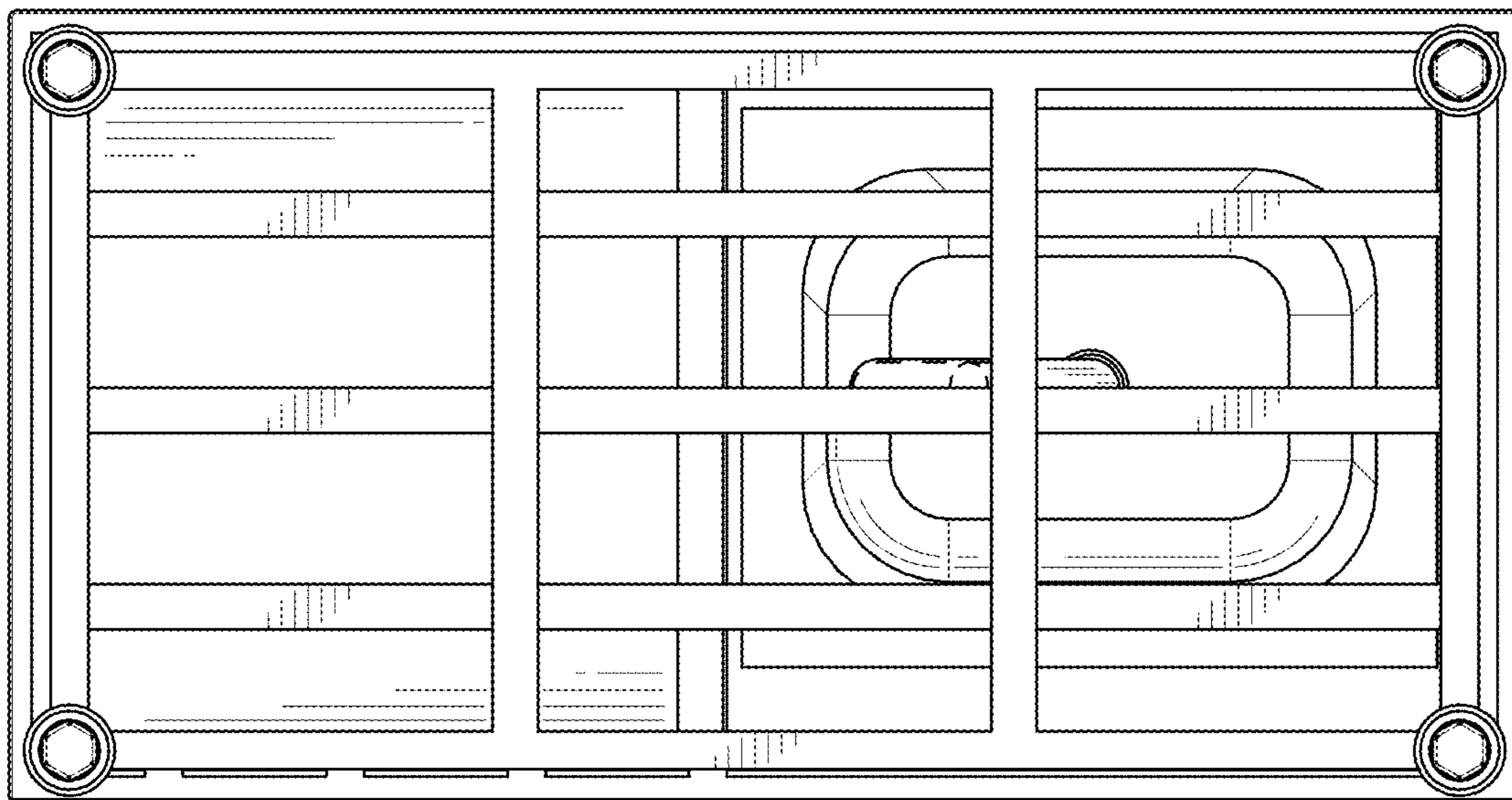


FIG. 19

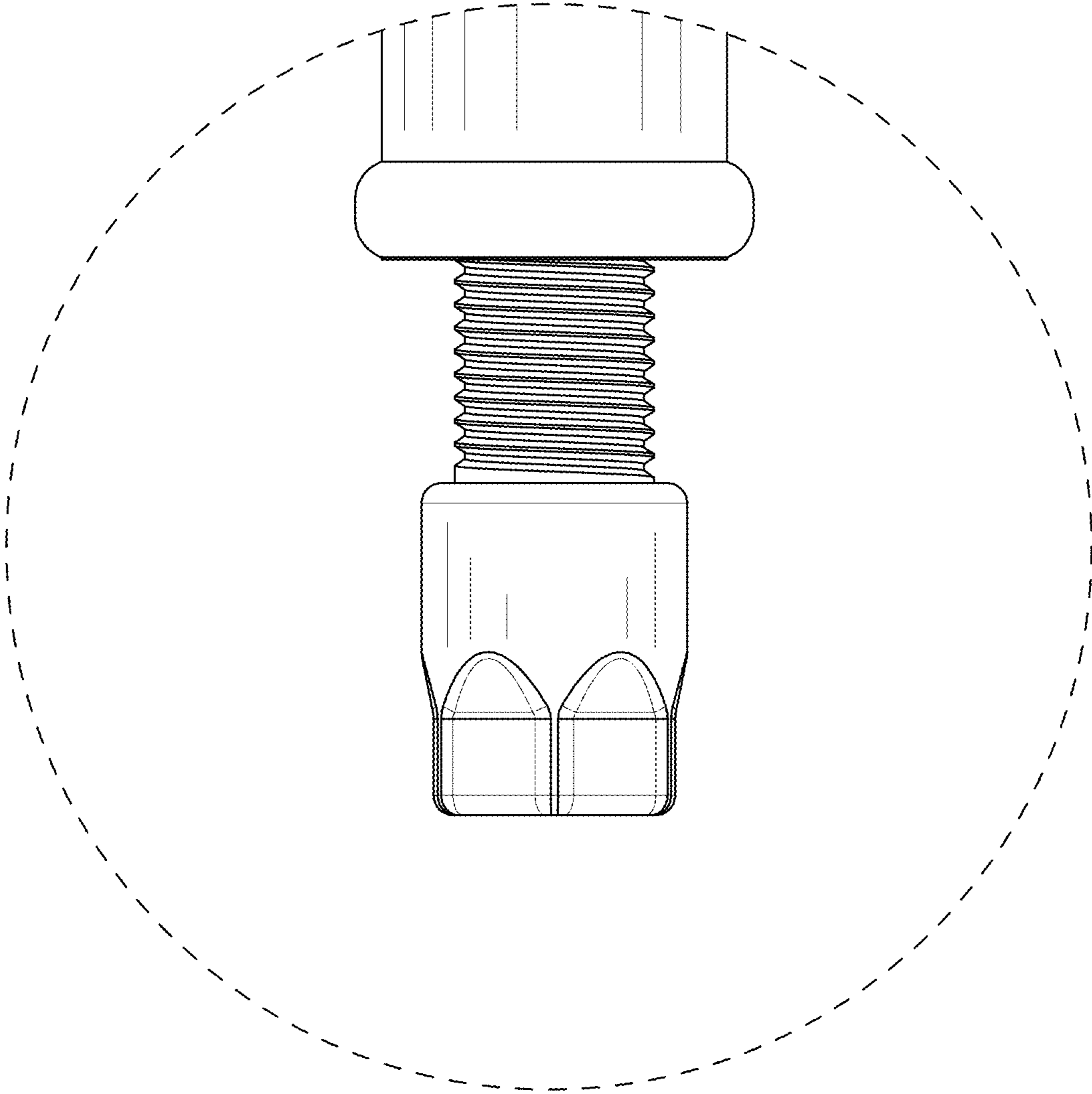


FIG. 20