



US00D948004S

(12) **United States Design Patent**
Zhang

(10) **Patent No.:** **US D948,004 S**

(45) **Date of Patent:** **** Apr. 5, 2022**

(54) **SINK STAND**

(71) Applicant: **SHENZHENSHI YUMAOTONG**
KEJI YOUXIANGONGSI, Shenzhen
(CN)

(72) Inventor: **Wei Zhang**, Shenzhen (CN)

(73) Assignee: **SHENZHENSHI YUMAOTONG**
KEJI YOUXIANGONGSI, Shenzhen
(CN)

(**) Term: **15 Years**

(21) Appl. No.: **29/784,260**

(22) Filed: **May 18, 2021**

(51) **LOC (13) Cl.** **23-02**

(52) **U.S. Cl.**
USPC **D23/286**

(58) **Field of Classification Search**
USPC D23/286-287; D24/234; D6/642, 655.1,
D6/655.11, 655.18
See application file for complete search history.

(56) **References Cited**

U.S. PATENT DOCUMENTS

| | | | | |
|----------------|---------|------------|-------|--------------------|
| D585,119 S * | 1/2009 | Kitzmiller | | D23/287 |
| 7,721,364 B2 * | 5/2010 | Pearson | | E03C 1/18 4/631 |
| D630,717 S | 1/2011 | Spangler | | |
| 8,117,689 B2 * | 2/2012 | Slayton | | E03C 1/18 4/619 |
| D697,185 S | 1/2014 | Urry | | |
| D728,762 S * | 5/2015 | Mayer | | D23/286 |
| 9,790,674 B1 * | 10/2017 | Reese | | E03C 1/18 |

(Continued)

OTHER PUBLICATIONS

Pearlhaus 33" Lx20" W Freestanding Kitchen Sink: <https://www.perigold.com/kitchen/pdp/whitehaus-collection-pearlhaus-33-l-x-20-w-freestanding-kitchen-sink-whc2718.html?piid=> (Year: 2020).*

Primary Examiner — Robert A Delehanty

(74) *Attorney, Agent, or Firm* — True Shepherd LLC;
Andrew C. Cheng

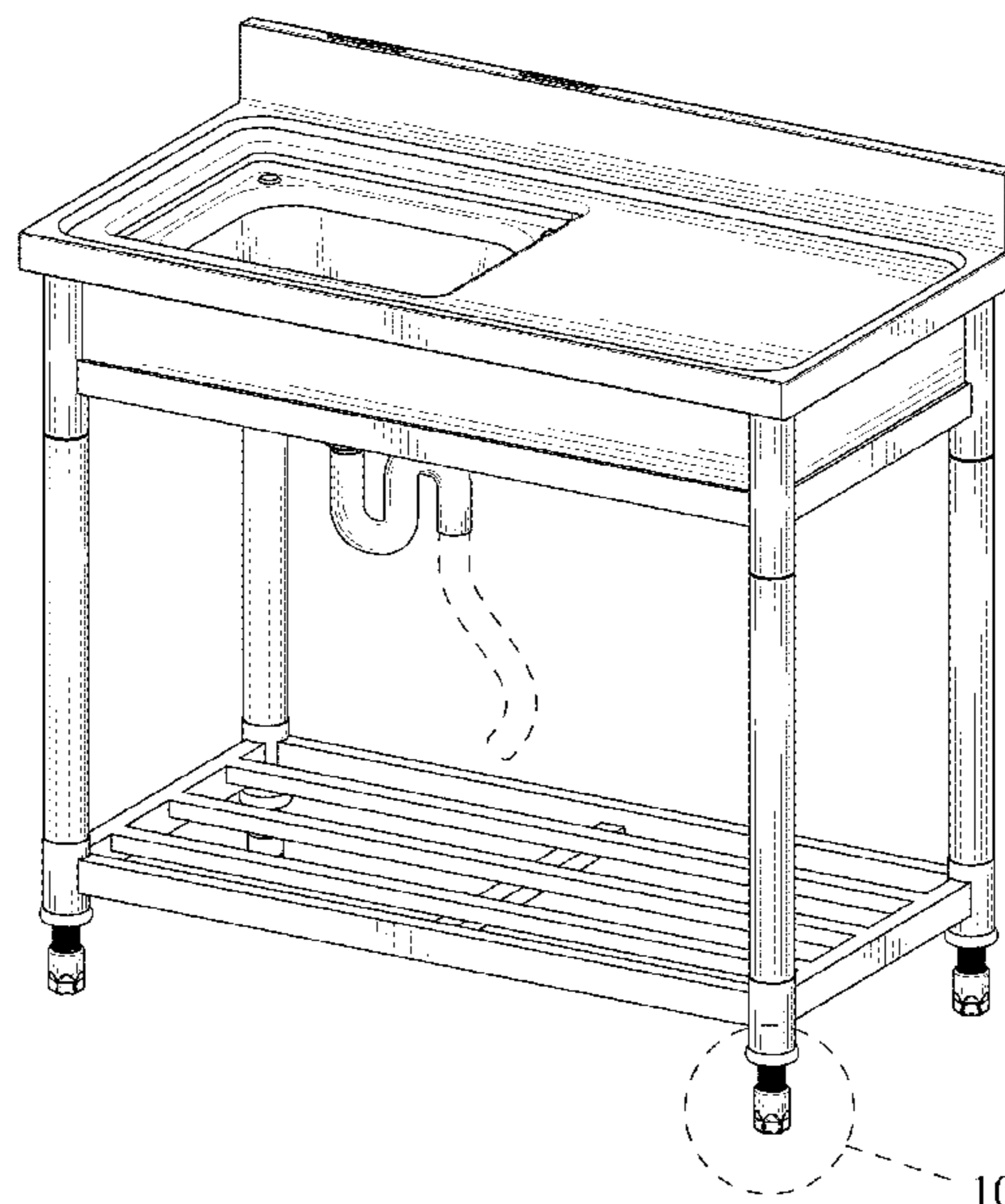
(57) **CLAIM**

The ornamental design for a sink stand, as shown and described.

DESCRIPTION

FIG. 1 is a perspective view of a sink stand showing my new design according to a first embodiment;
 FIG. 2 is a perspective view in a use state with height adjustment elements fully screwed into four legs;
 FIG. 3 is another perspective view in a use state;
 FIG. 4 is a front view thereof;
 FIG. 5 is a rear view thereof;
 FIG. 6 is a left side view thereof;
 FIG. 7 is a right side view thereof;
 FIG. 8 is a top plan view thereof;
 FIG. 9 is a bottom plan view thereof;
 FIG. 10 is an enlarged view of portion 10 shown in FIG. 1
 FIG. 11 is a perspective view of a sink stand showing my new design according to a second embodiment;
 FIG. 12 is a perspective view in a use state with height adjustment elements fully screwed into four legs;
 FIG. 13 is another perspective view in a use state;
 FIG. 14 is a front view thereof;
 FIG. 15 is a rear view thereof;
 FIG. 16 is a left side view thereof;
 FIG. 17 is a right side view thereof;
 FIG. 18 is a top plan view thereof;
 FIG. 19 is a bottom plan view thereof; and,
 FIG. 20 is an enlarged view of portion 20 shown in FIG. 14.
 The broken lines depict portions of the sink stand and form no part of the claimed design.

1 Claim, 20 Drawing Sheets



(56)

References Cited

U.S. PATENT DOCUMENTS

D848,587 S 5/2019 Bucher et al.
D914,167 S * 3/2021 Parisio D23/286
2020/0181896 A1* 6/2020 Broussard E03C 1/18

* cited by examiner

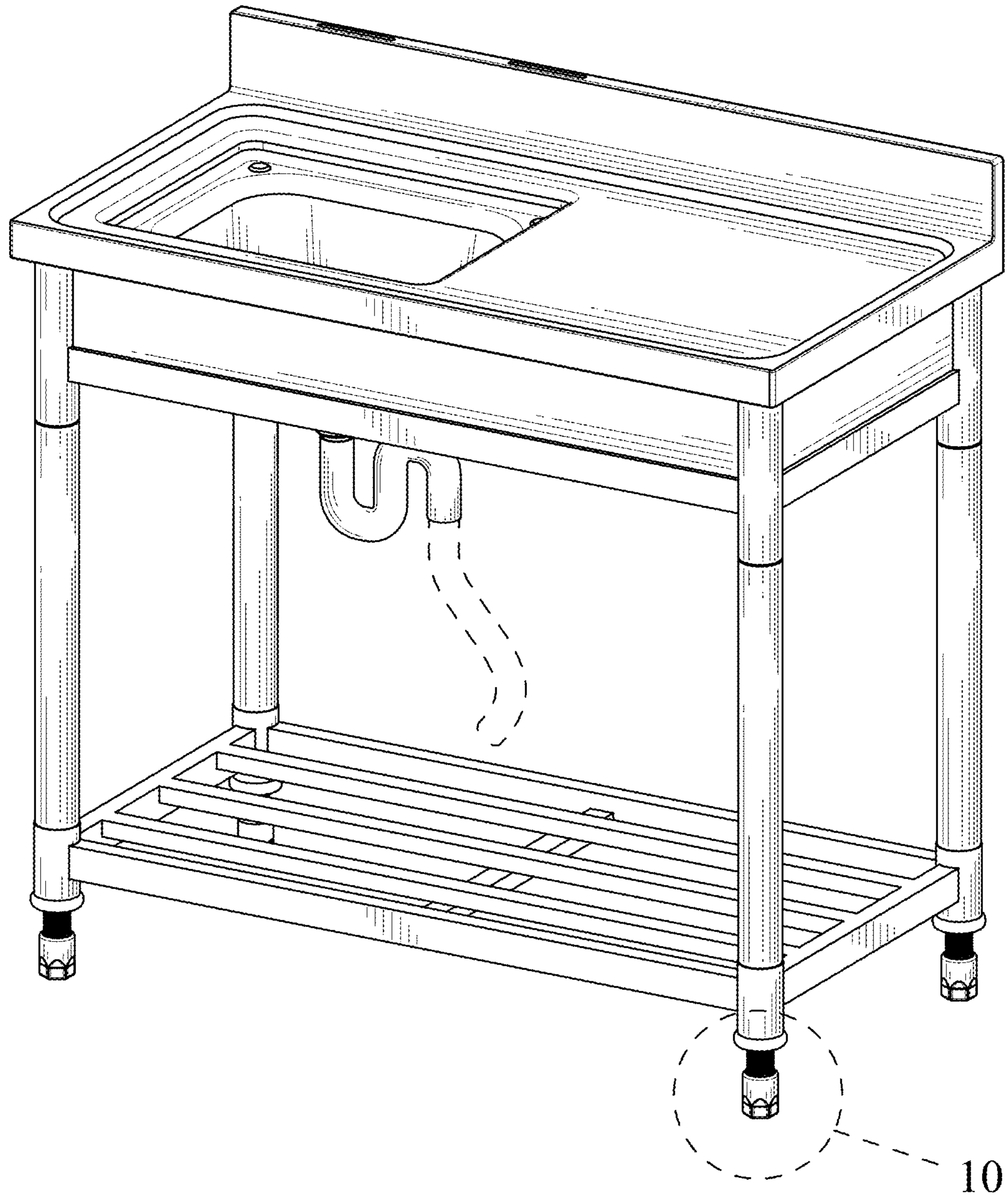


FIG. 1

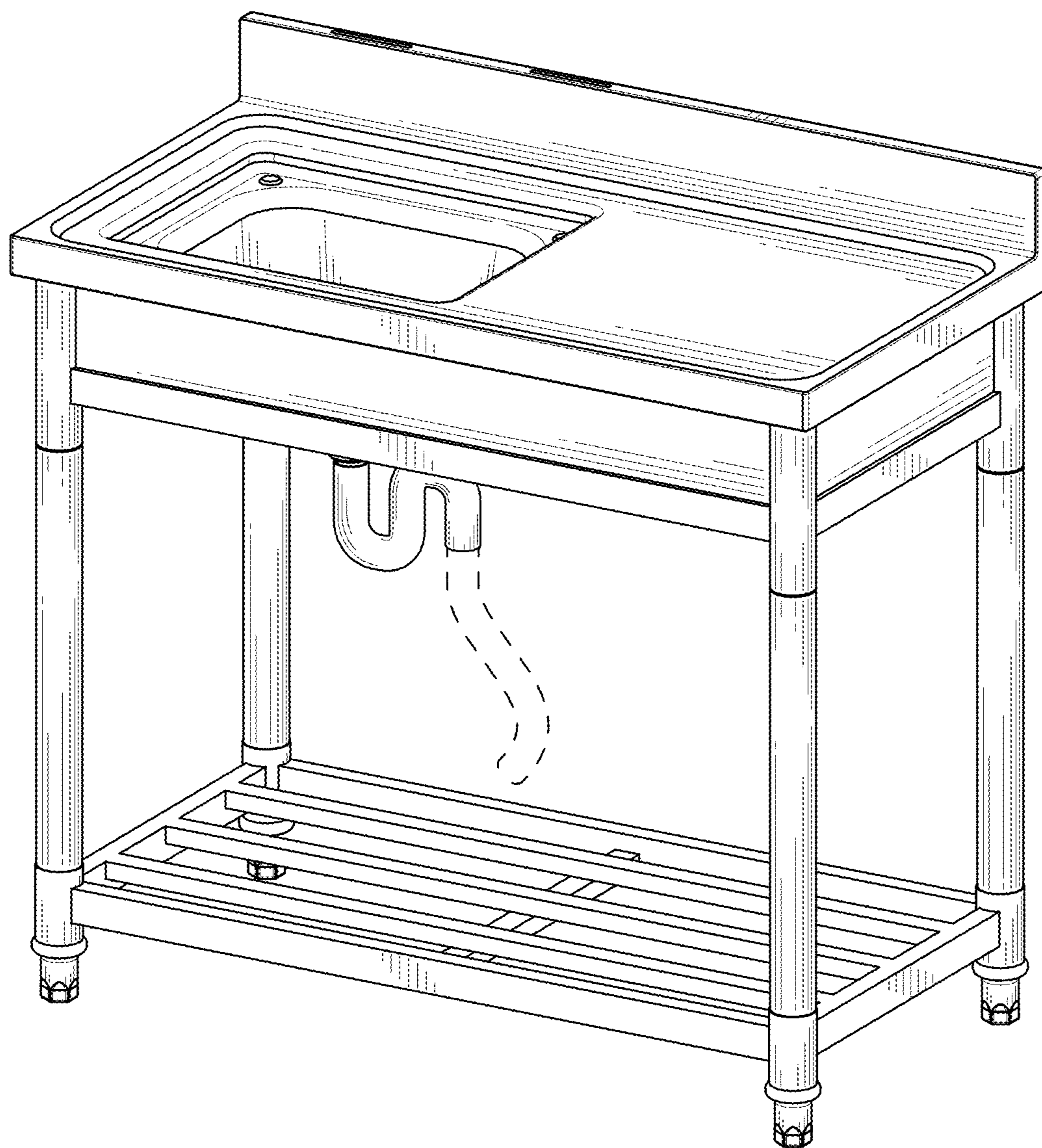


FIG. 2

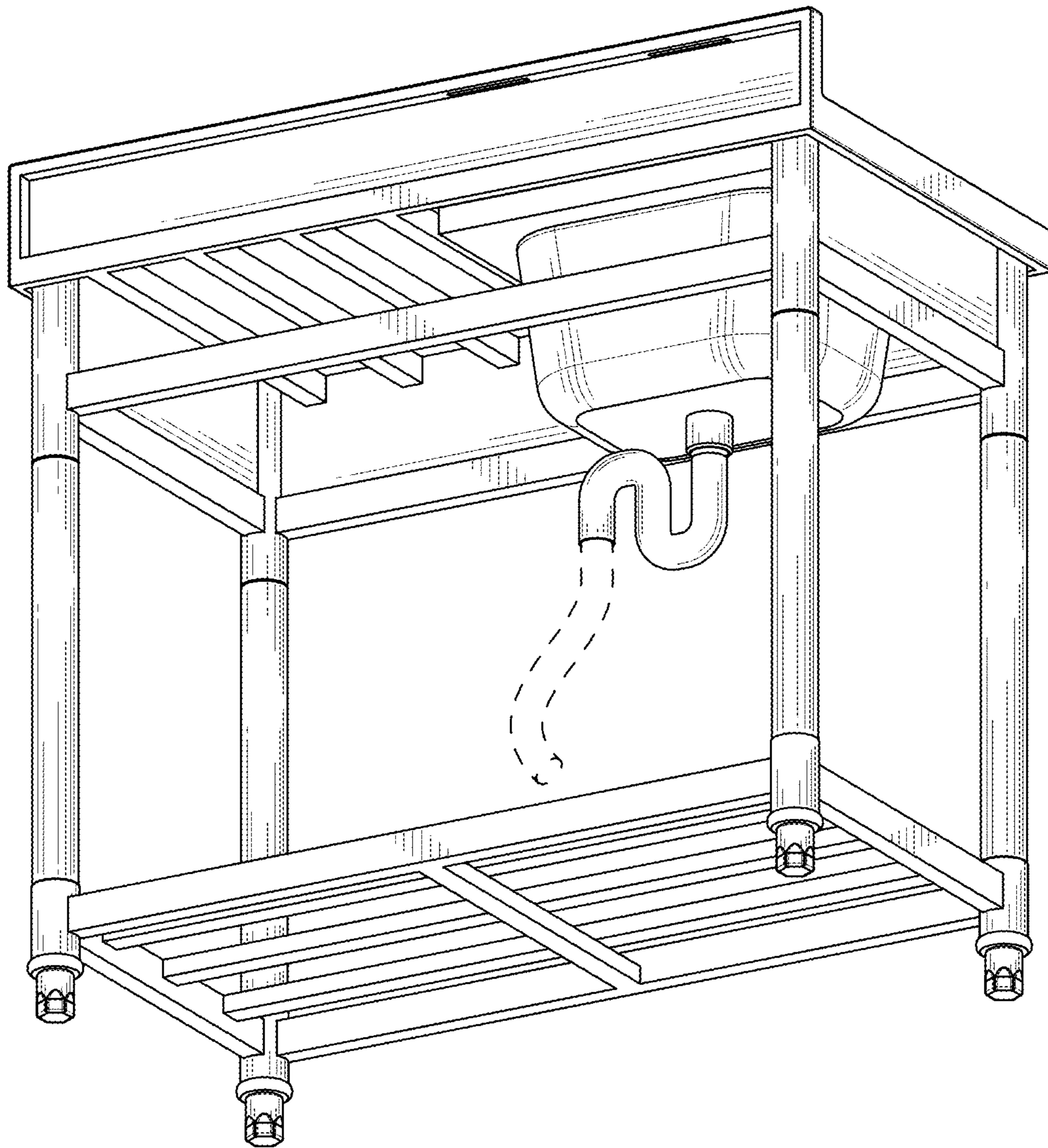


FIG. 3

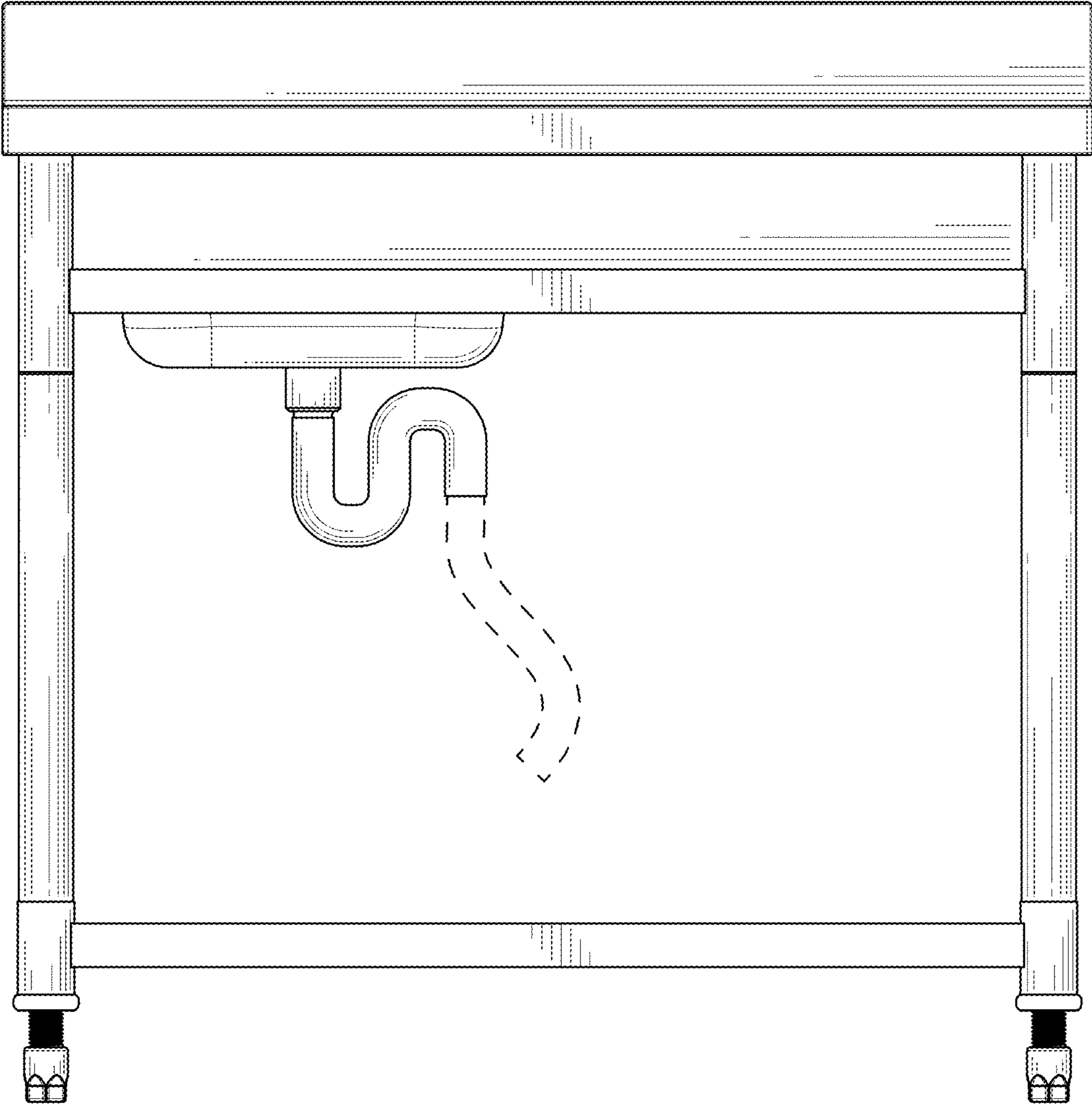


FIG. 4

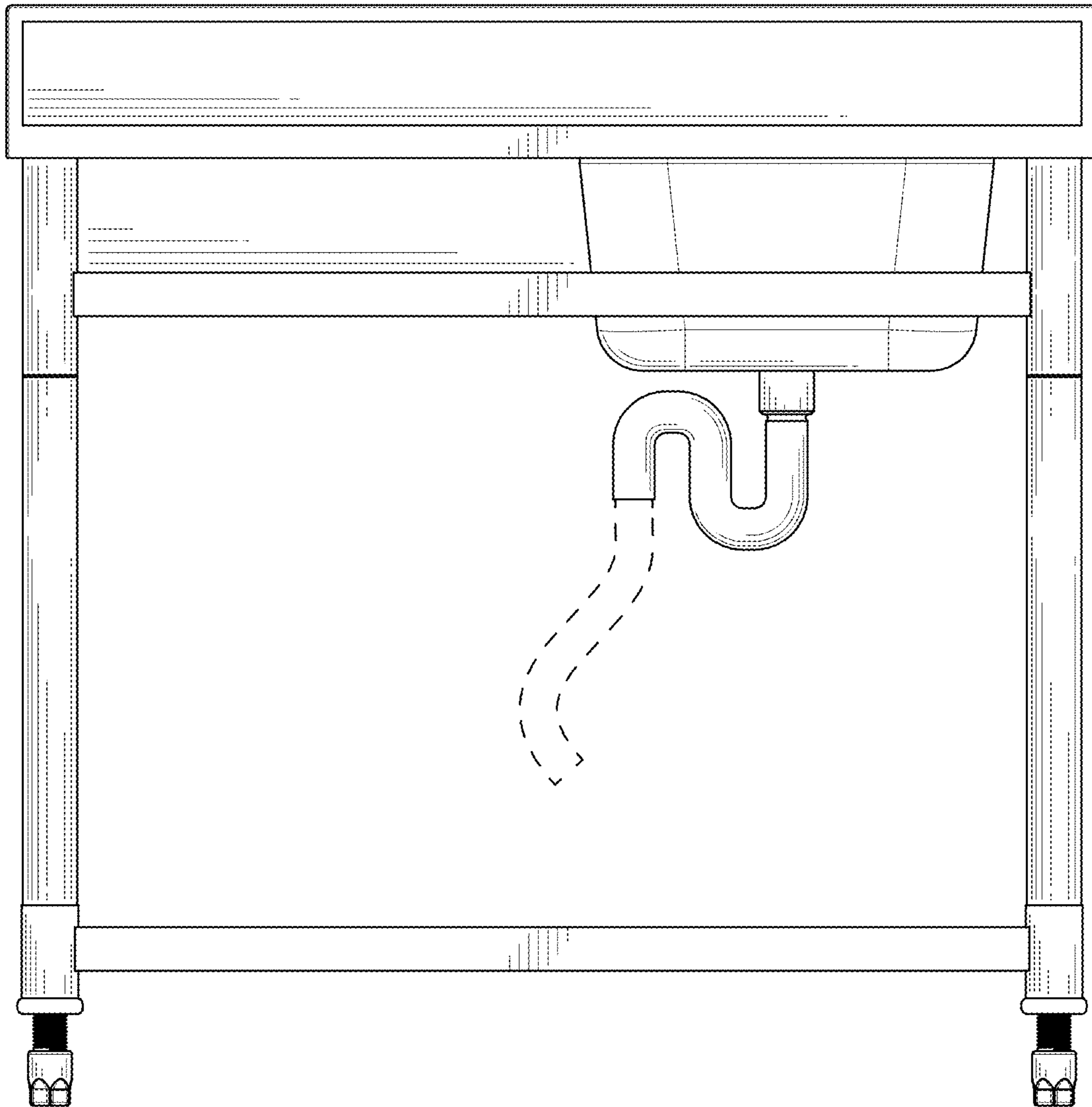


FIG. 5

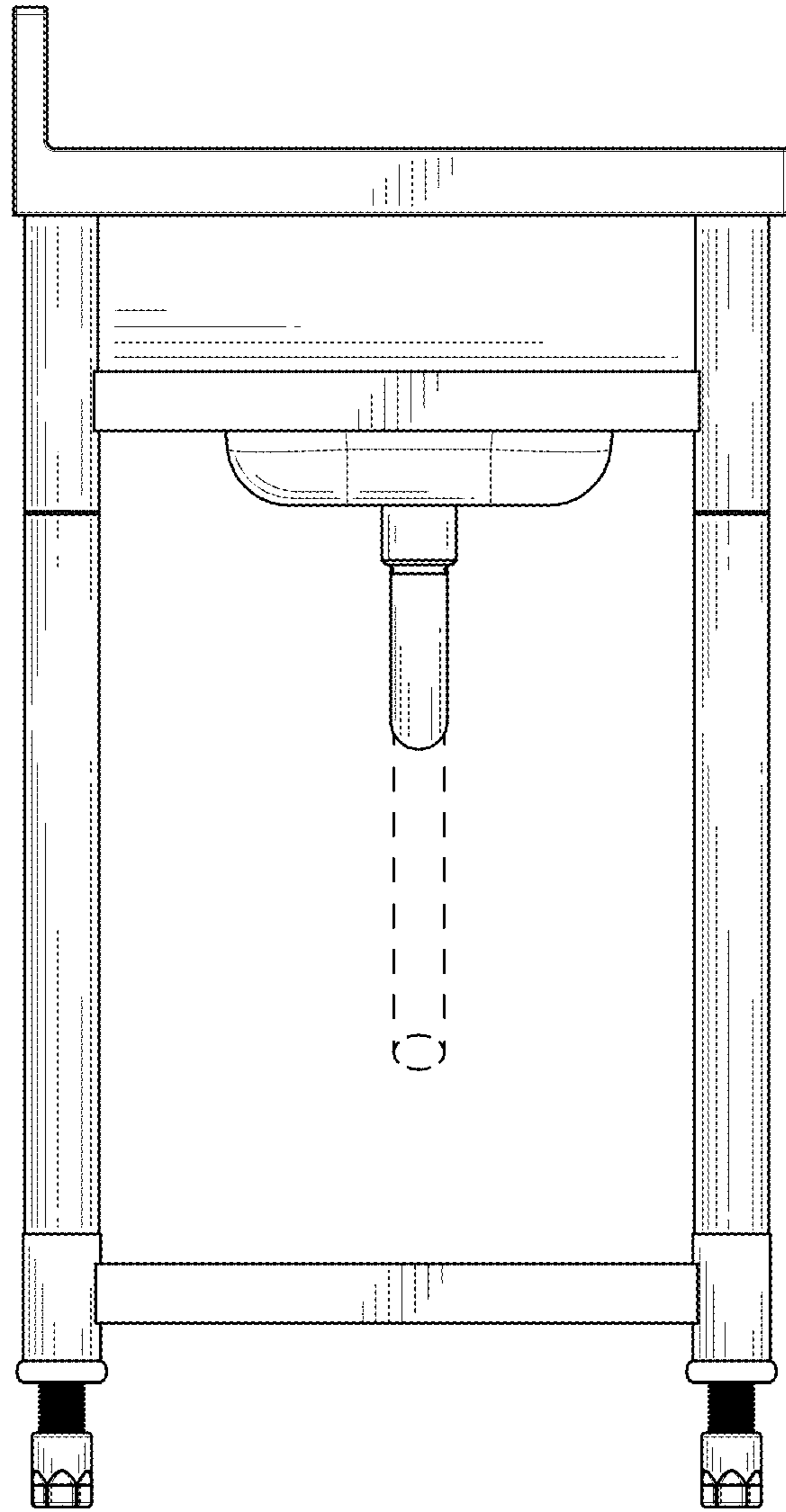


FIG. 6

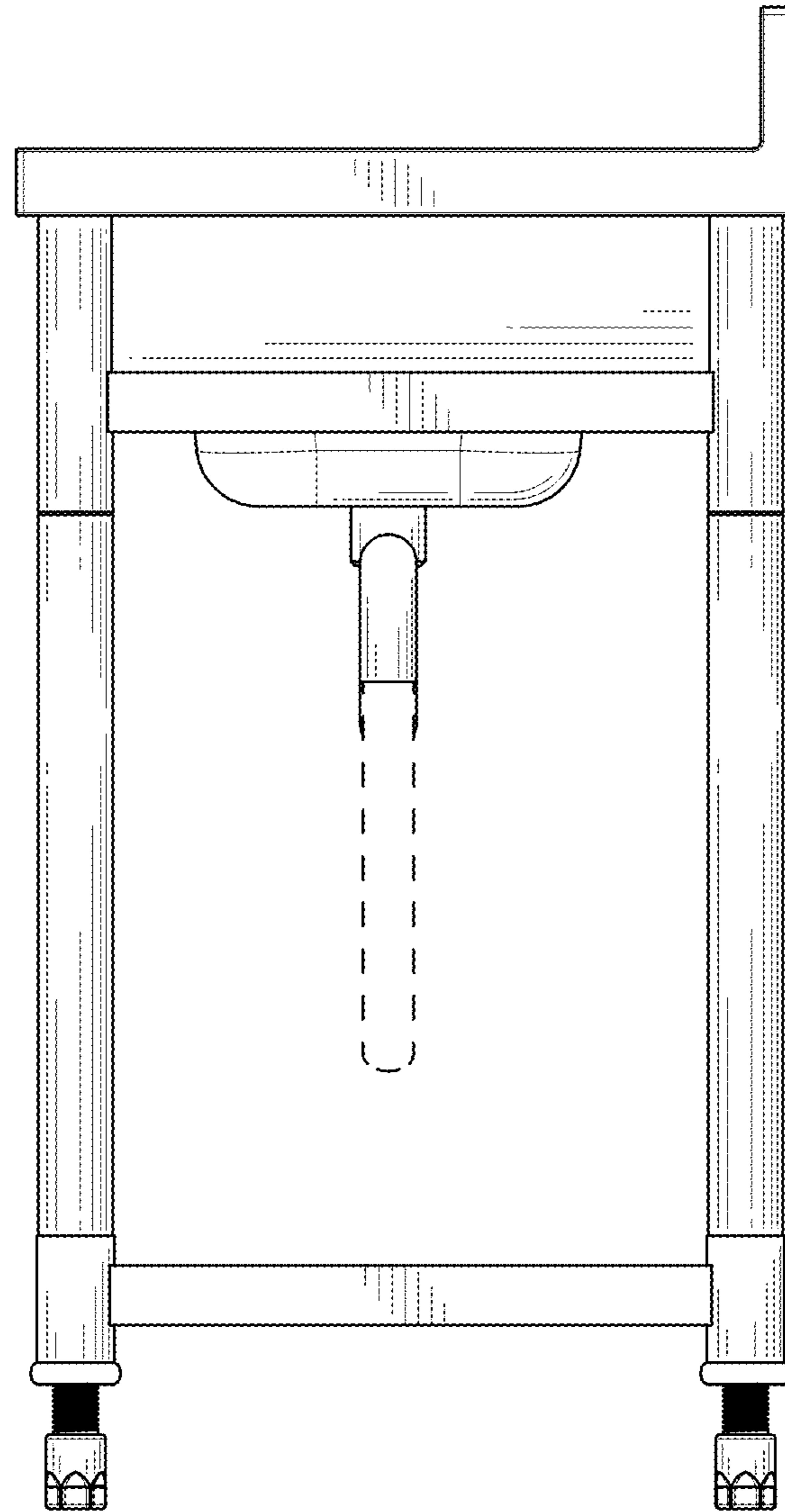


FIG. 7

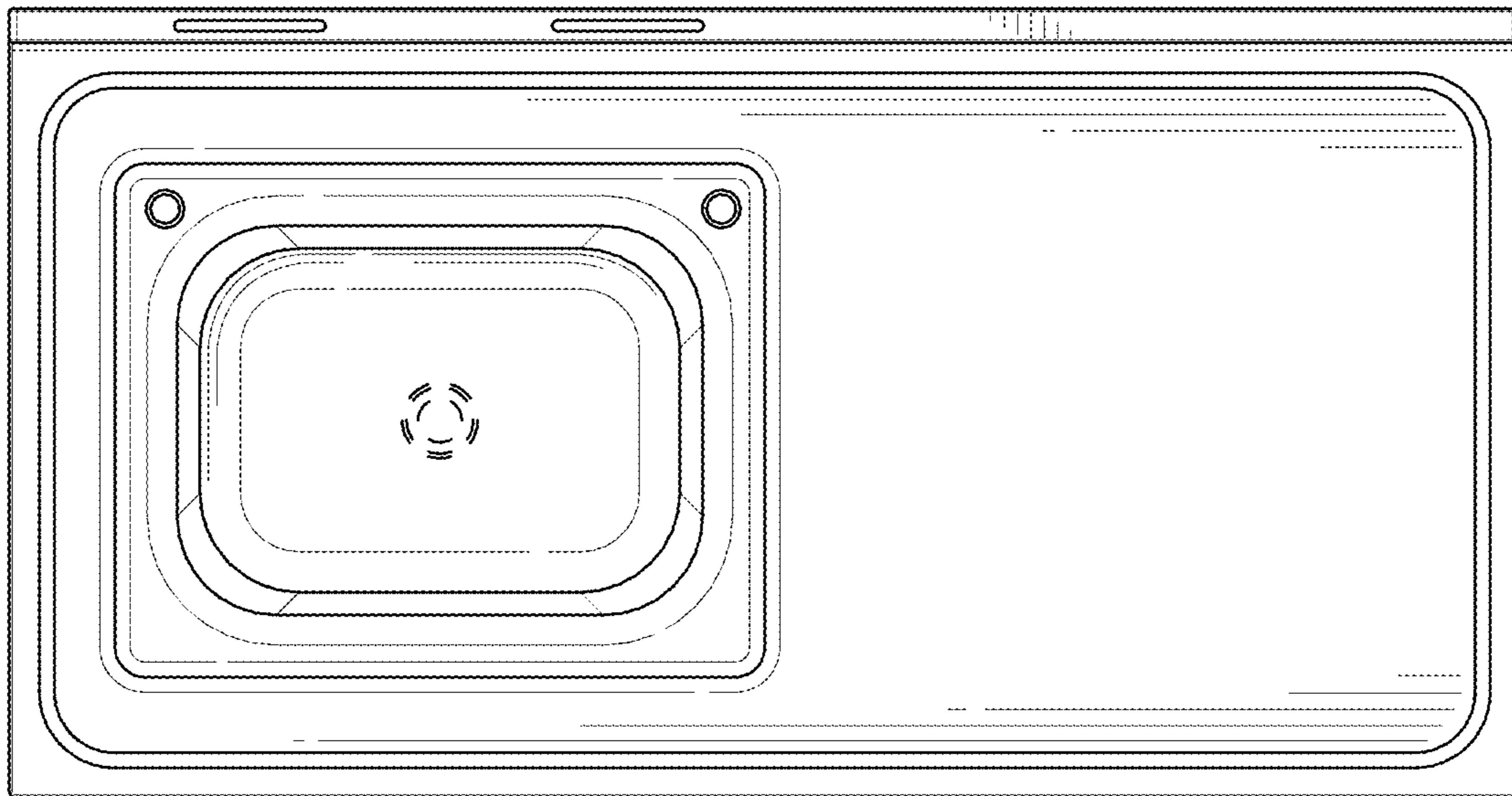


FIG. 8

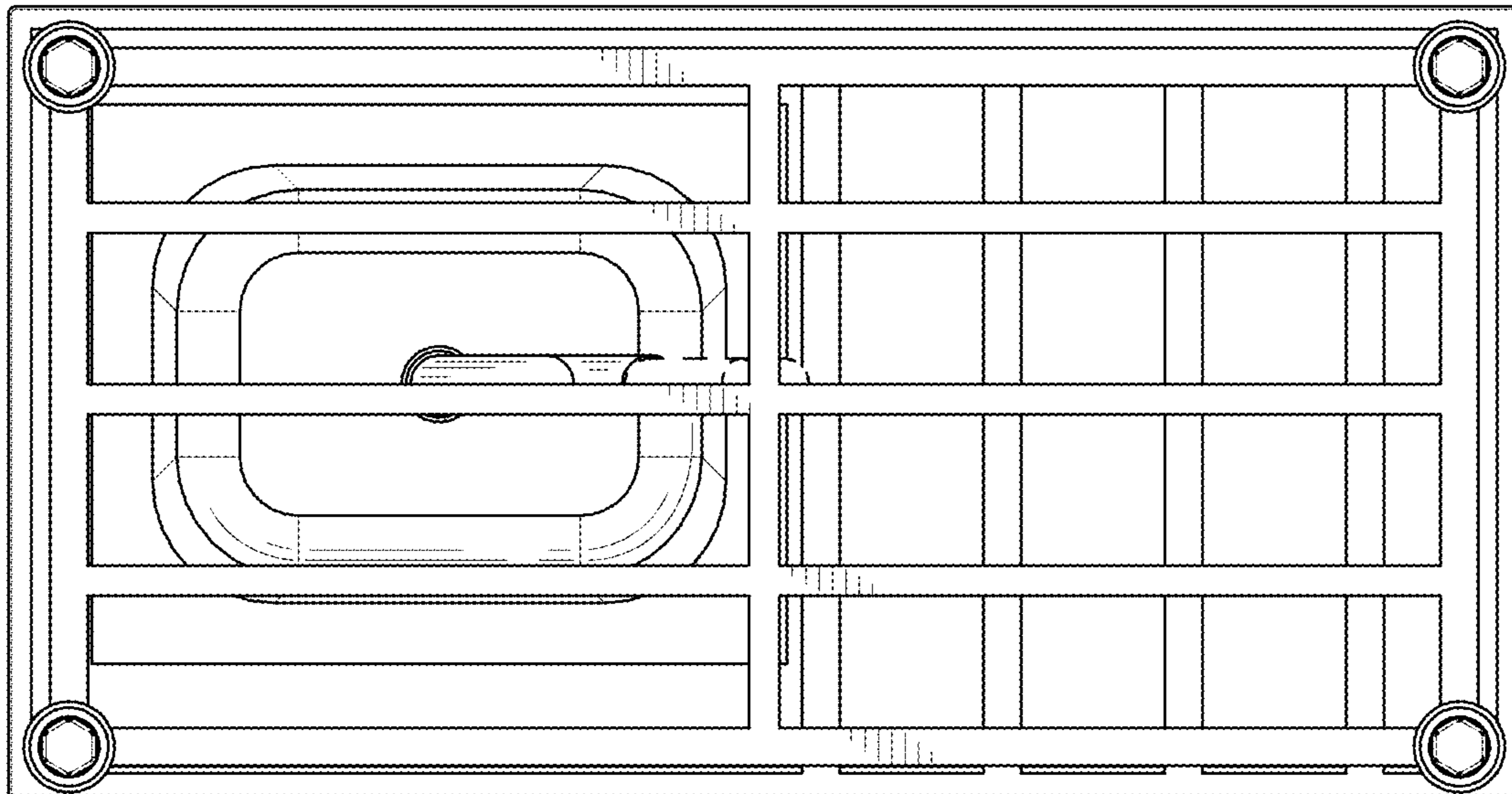


FIG. 9

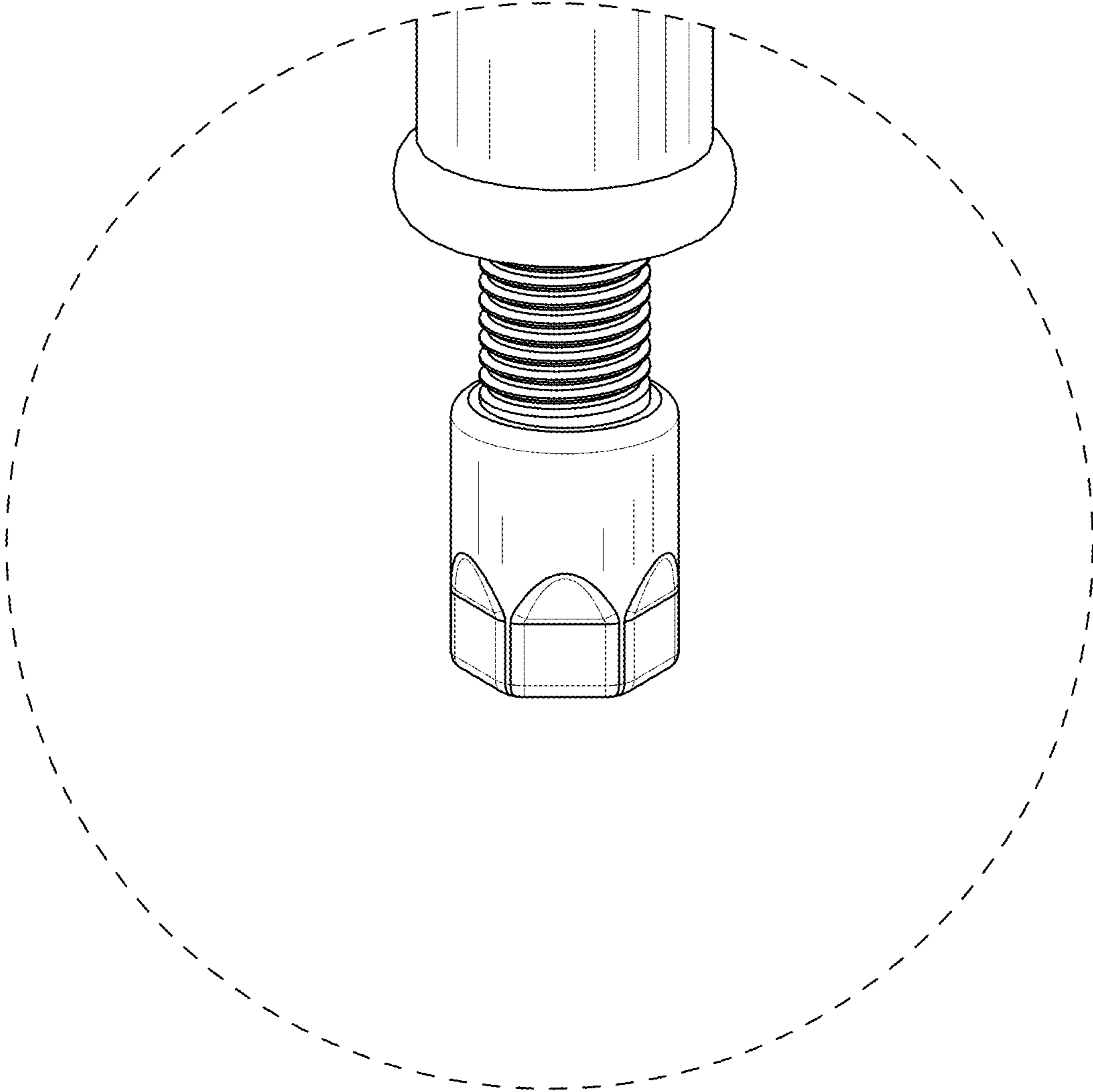


FIG. 10

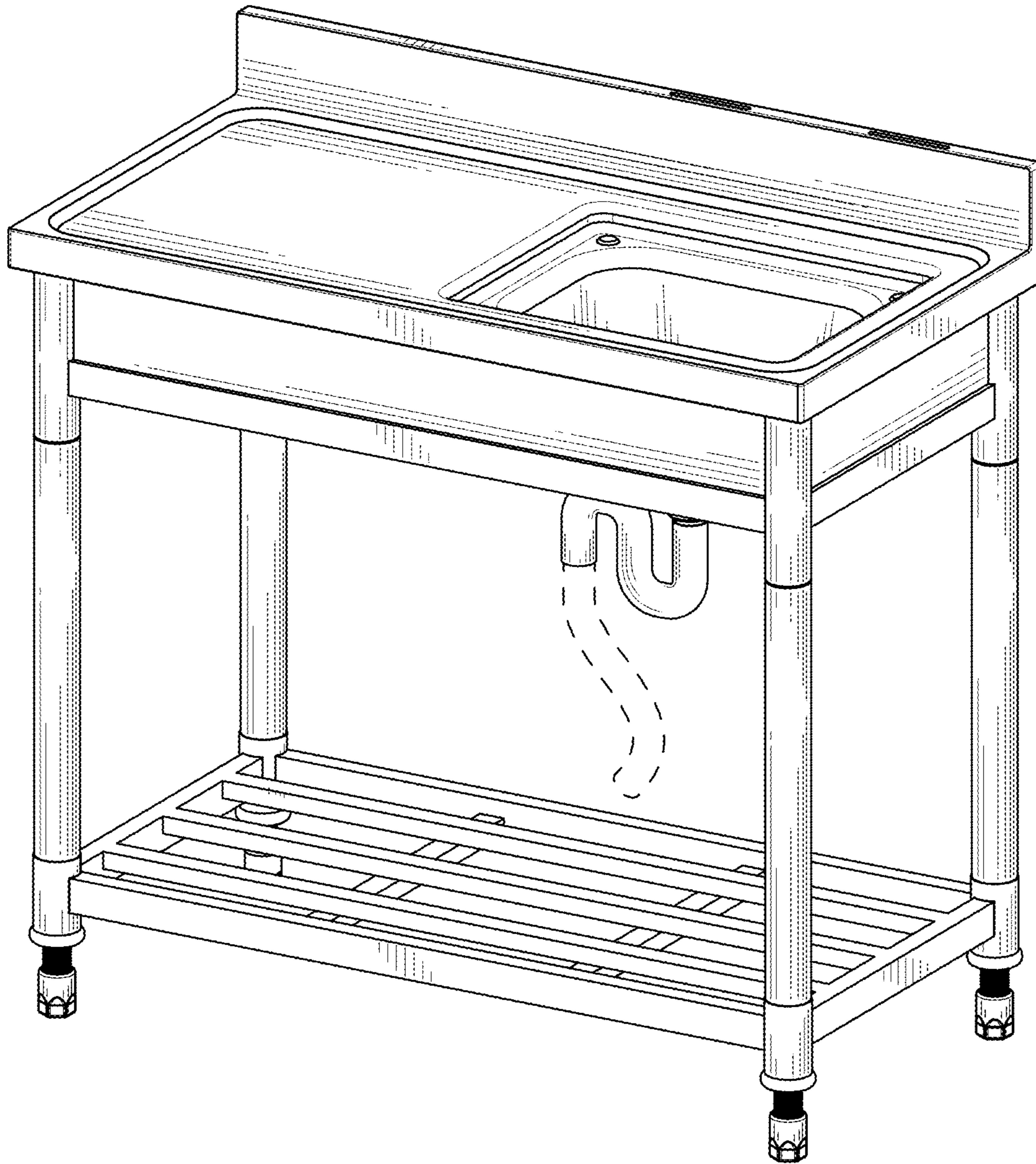


FIG. 11

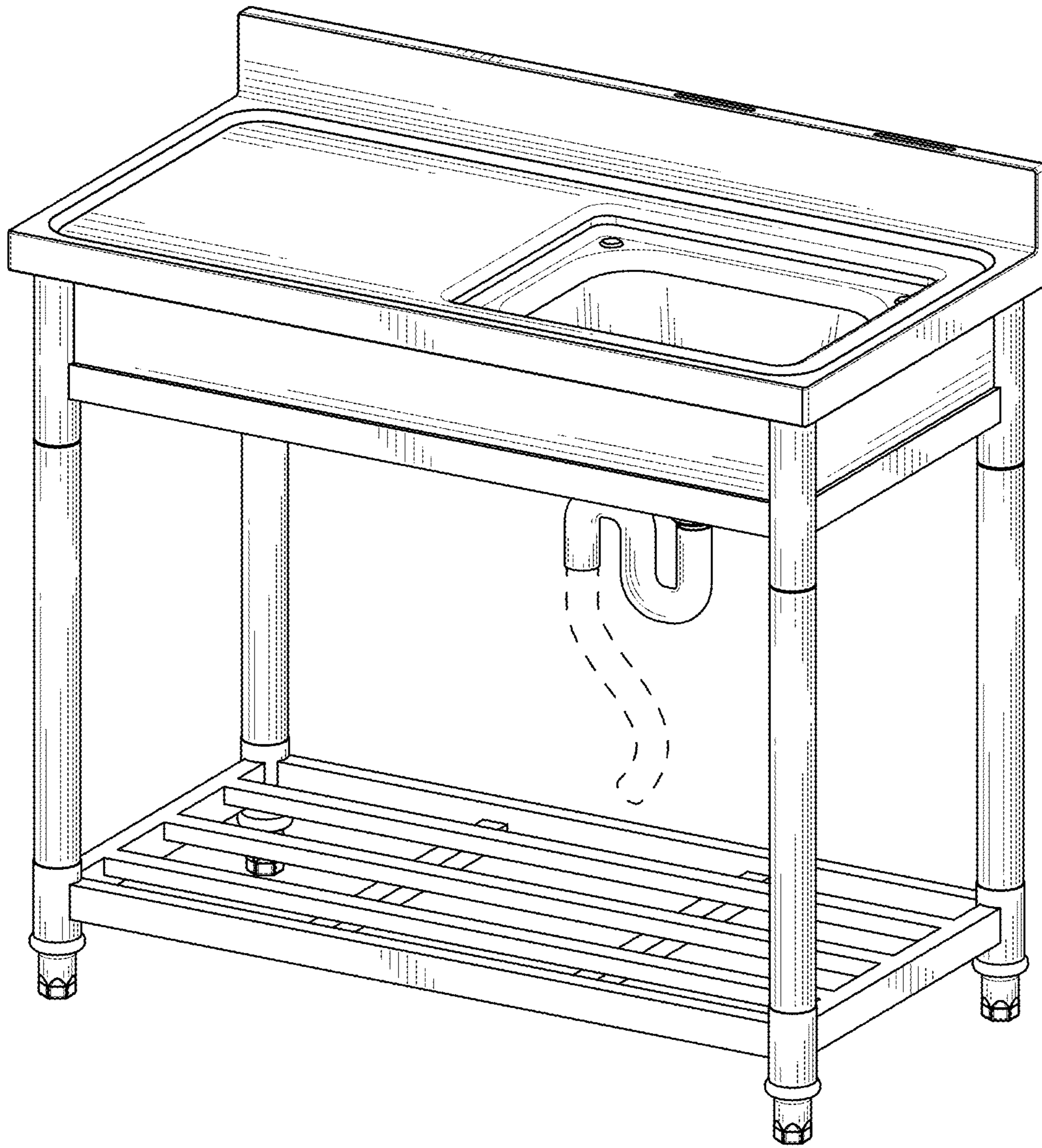


FIG. 12

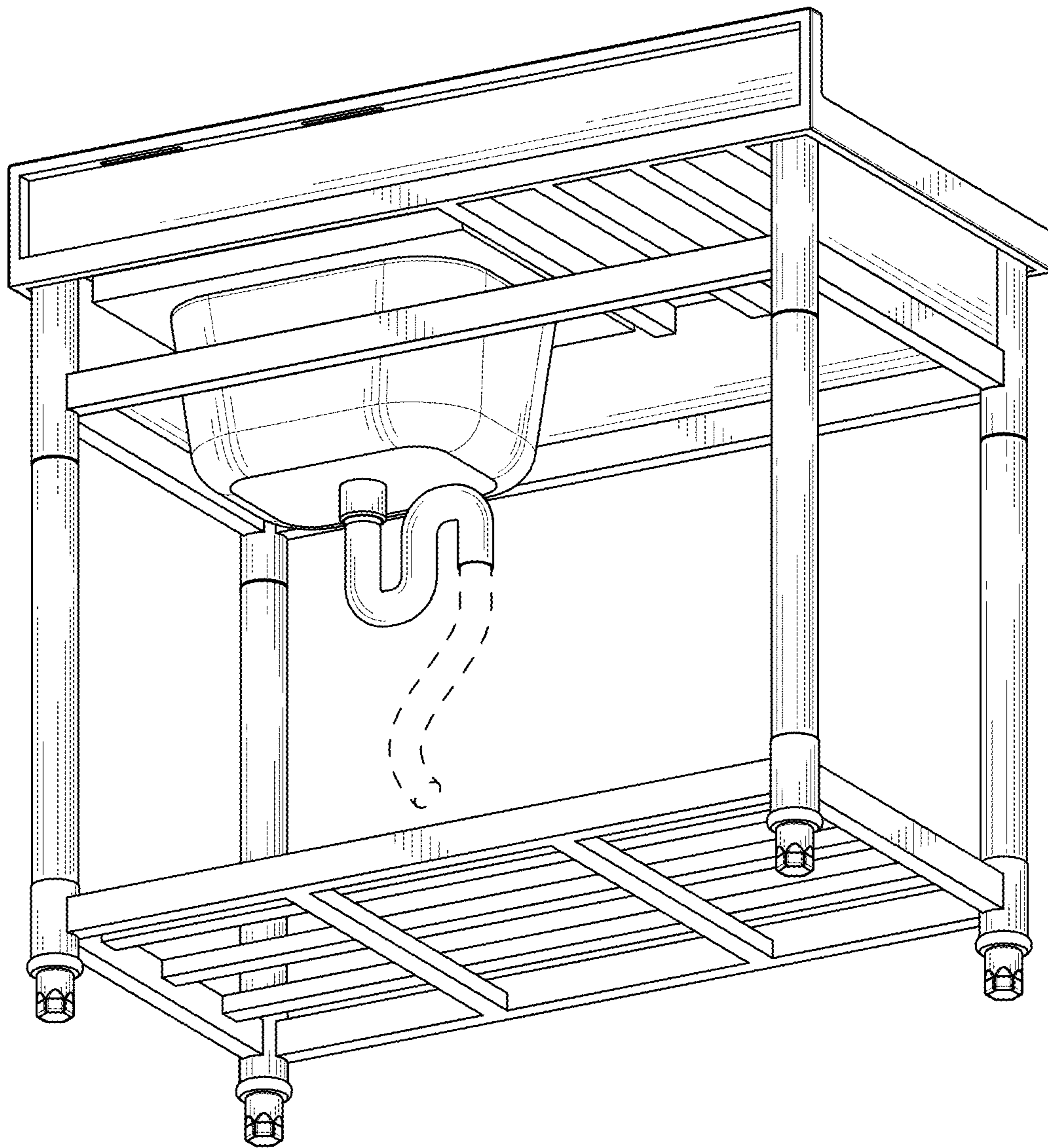


FIG. 13

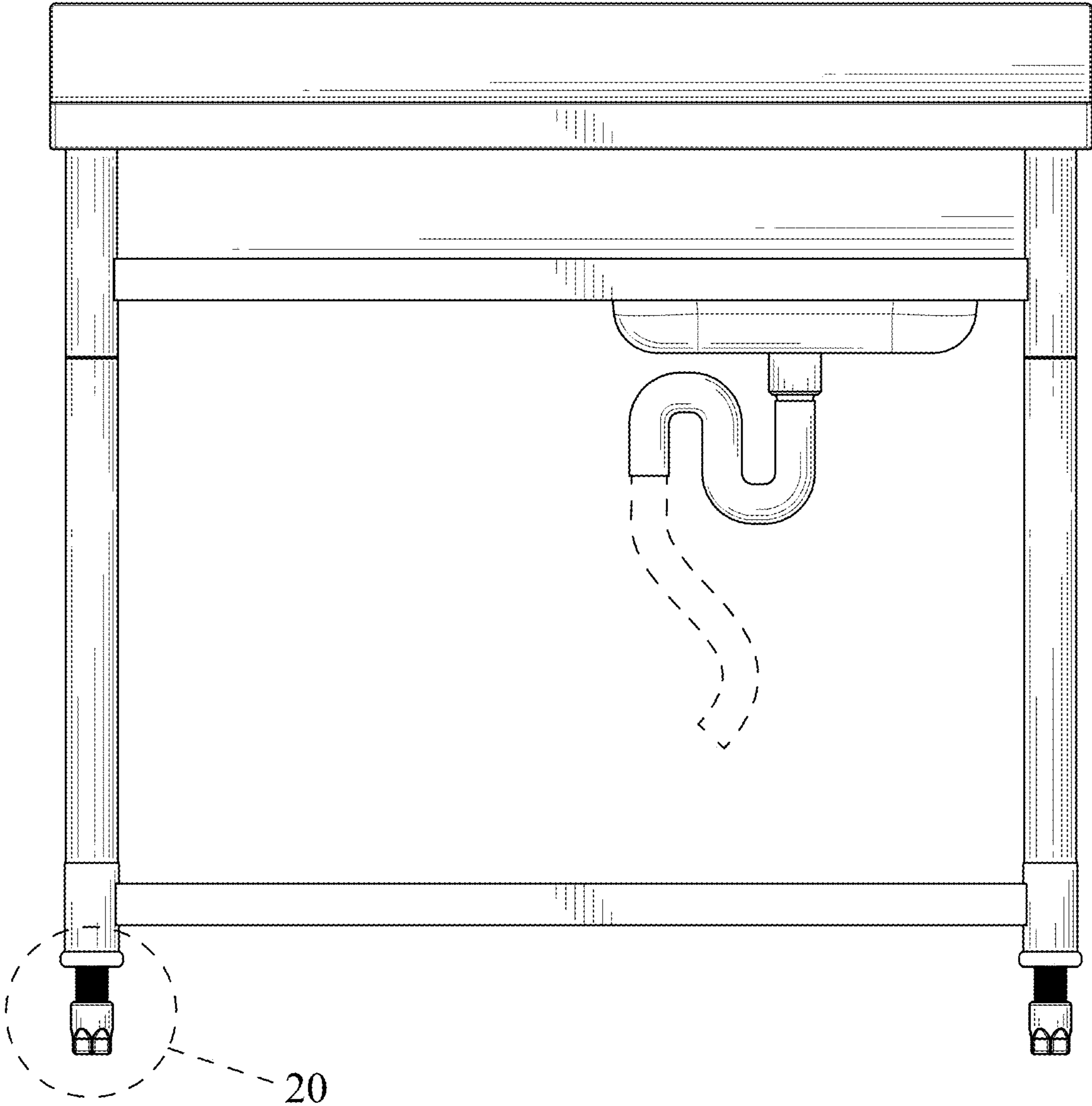


FIG. 14

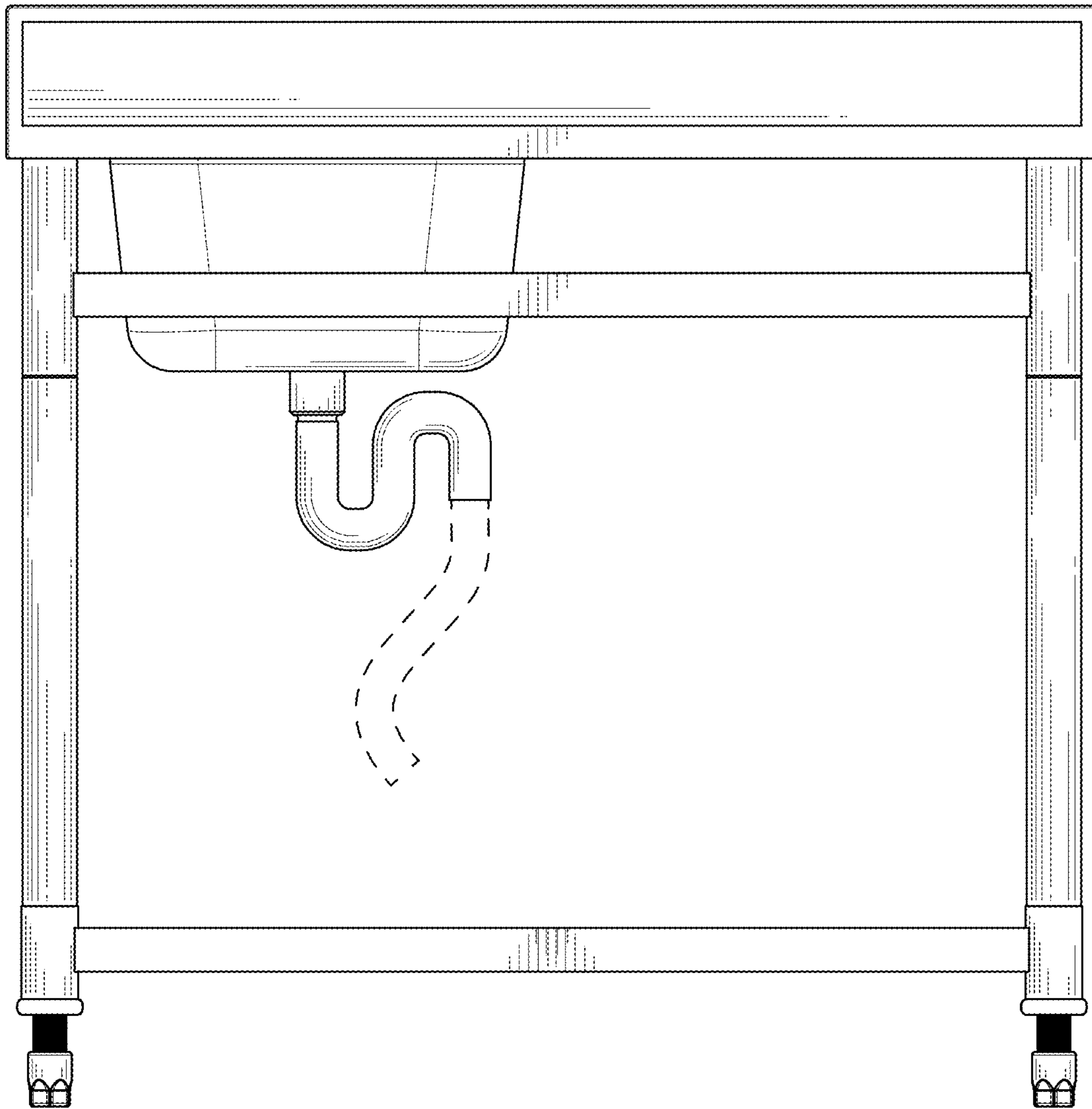


FIG. 15

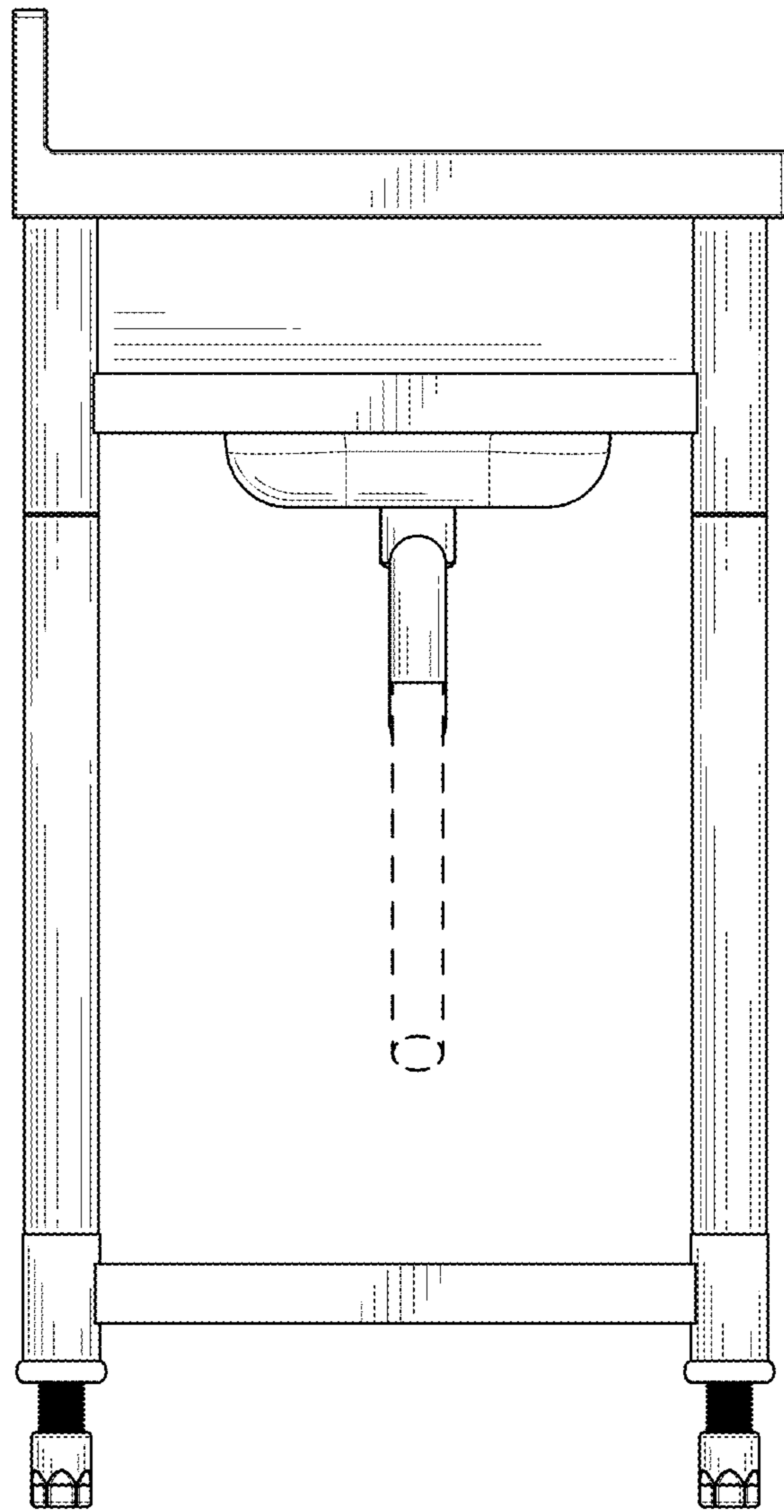


FIG. 16

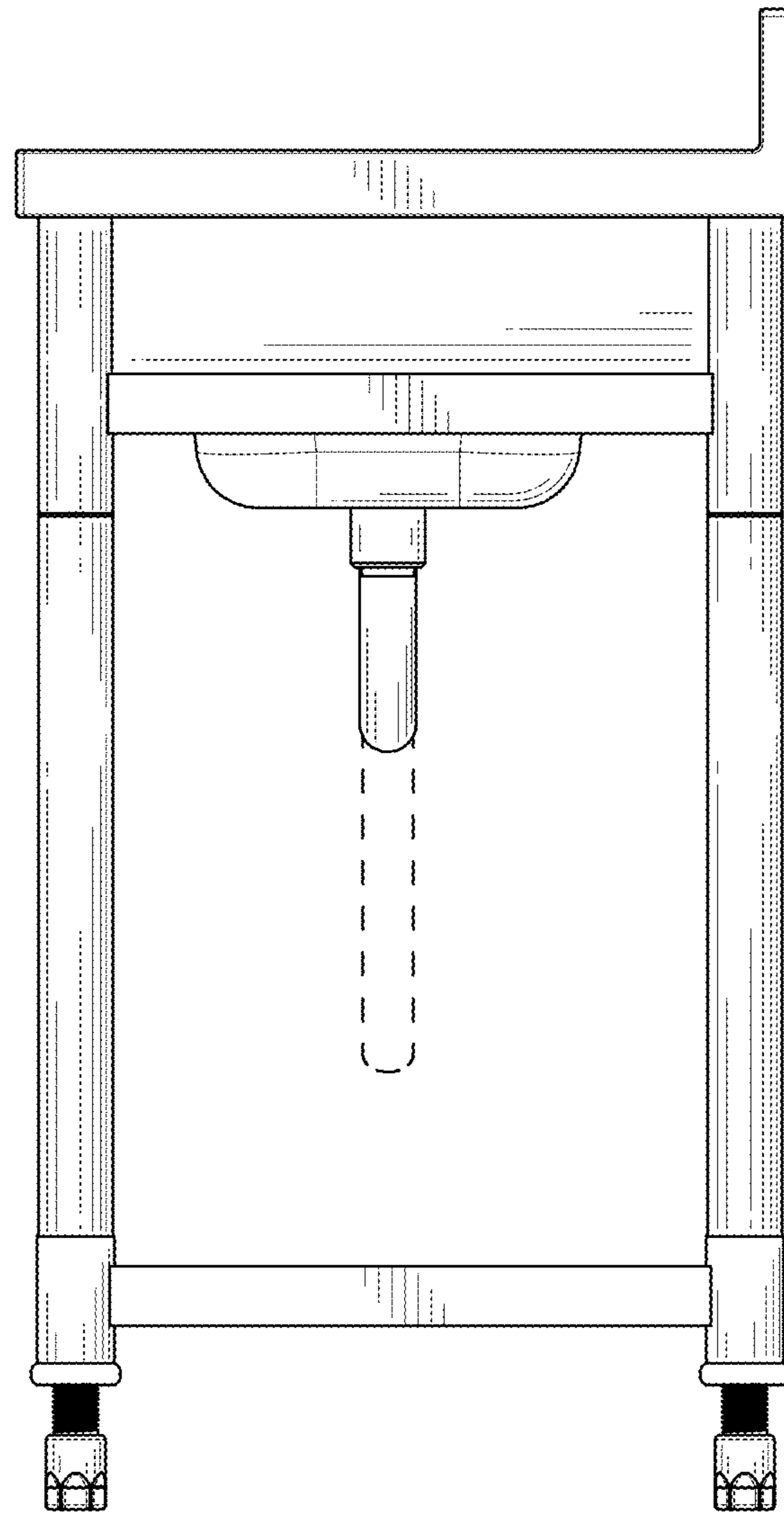


FIG. 17

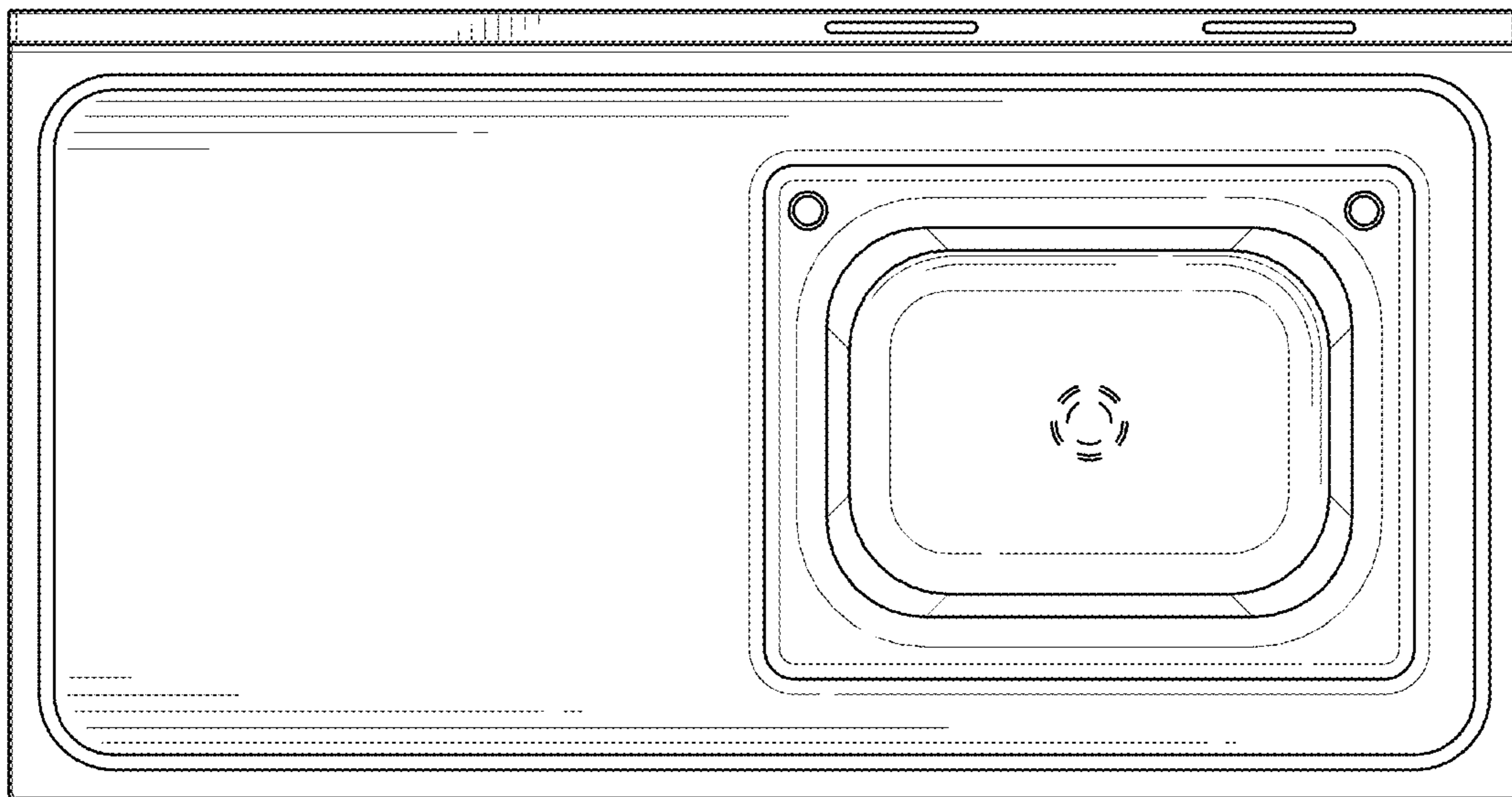


FIG. 18

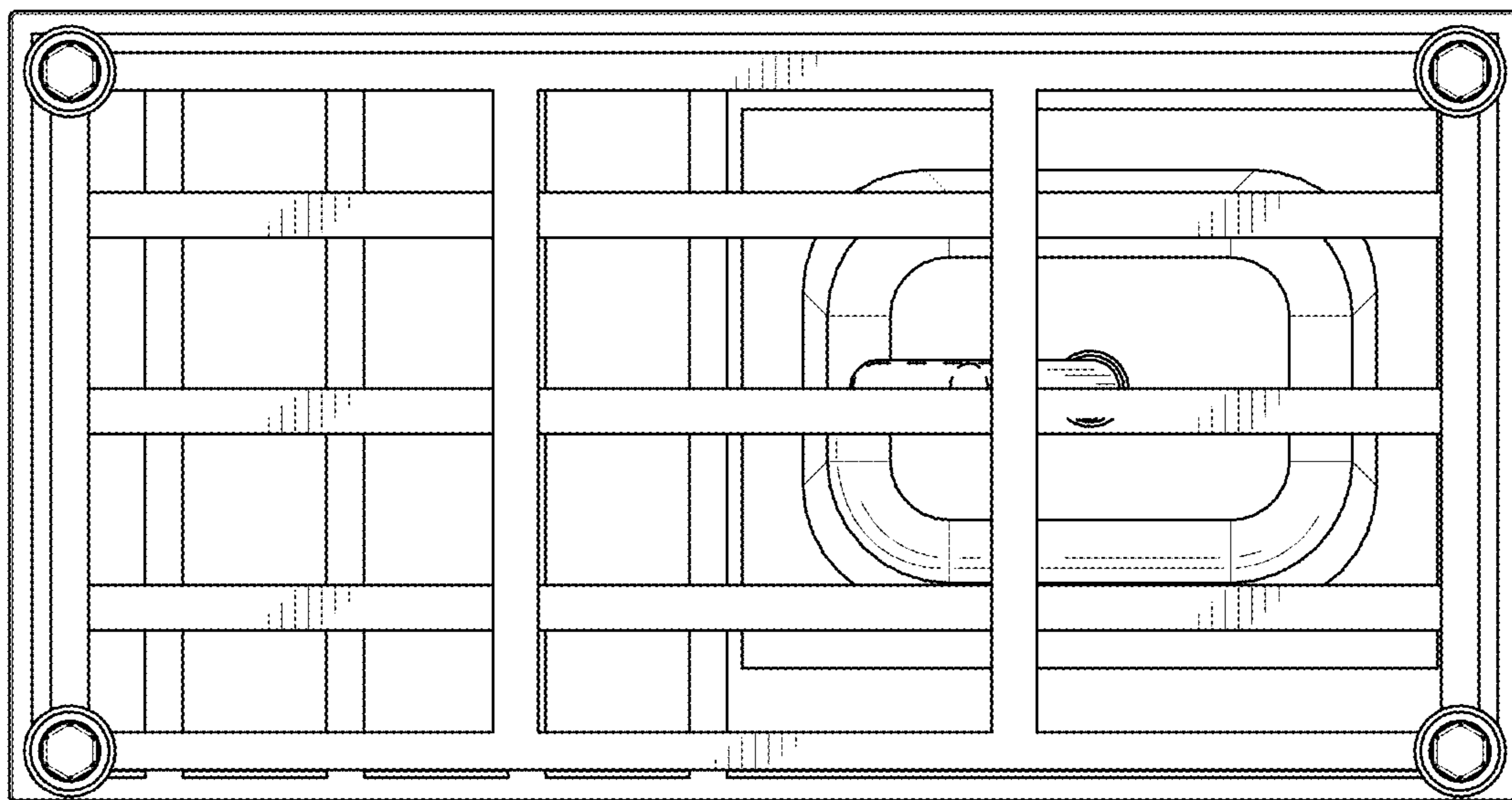


FIG. 19

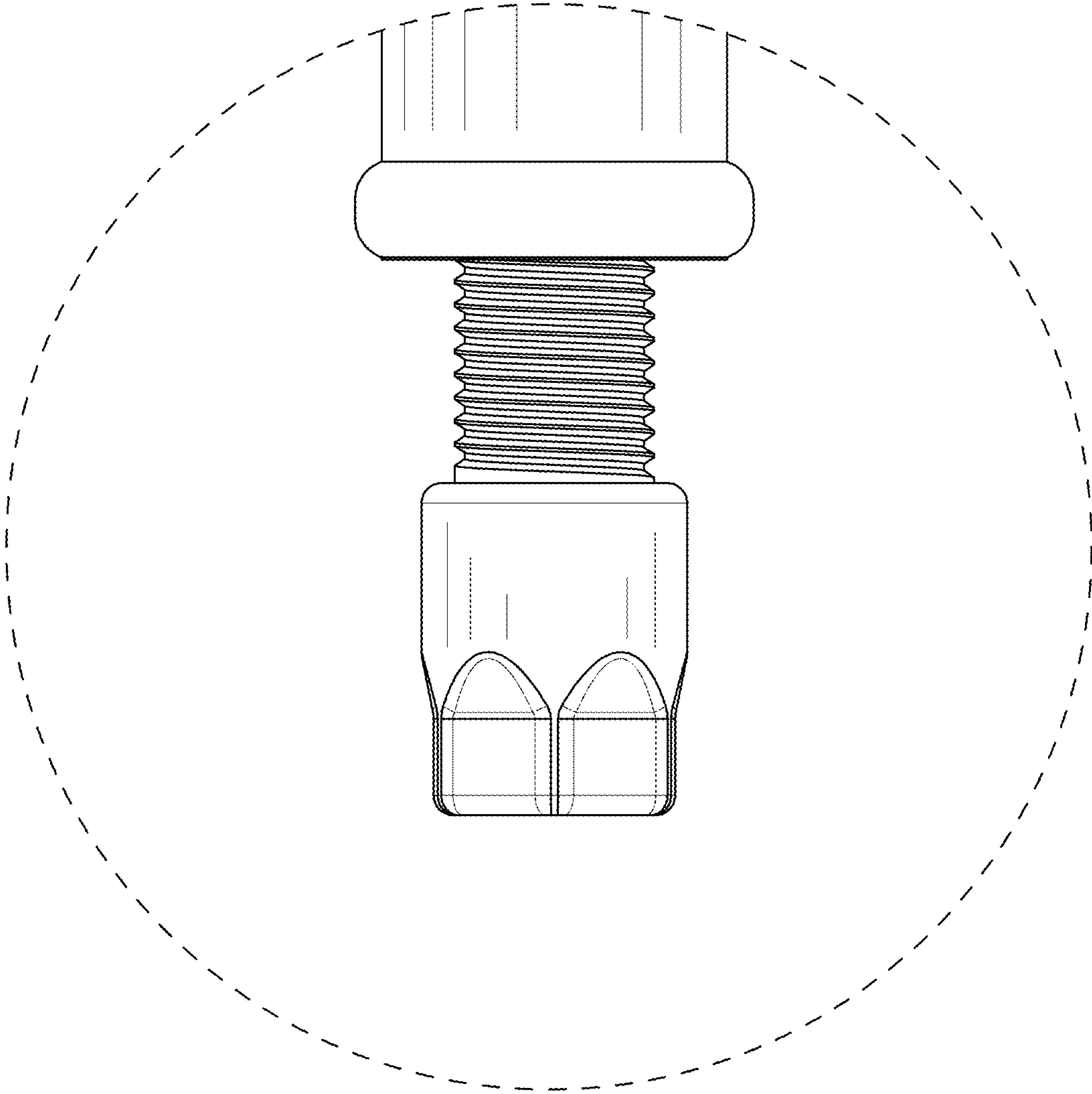


FIG. 20