



US00D948003S

(12) **United States Design Patent** (10) **Patent No.:** **US D948,003 S**
Li (45) **Date of Patent:** **** Apr. 5, 2022**

(54) **COLLAPSIBLE BATHTUB**

(71) Applicant: **Qingyu Li**, Guangdong (CN)

(72) Inventor: **Qingyu Li**, Guangdong (CN)

(**) Term: **15 Years**

(21) Appl. No.: **29/782,592**

(22) Filed: **May 7, 2021**

(51) **LOC (13) Cl.** **23-02**

(52) **U.S. Cl.**

USPC **D23/278**

(58) **Field of Classification Search**

USPC D23/278; D30/158

See application file for complete search history.

(56) **References Cited**

U.S. PATENT DOCUMENTS

D902,361 S 11/2020 Wu
D902,362 S 11/2020 Li

OTHER PUBLICATIONS

Folding Bathtub Newborn Baby Shower Non-Slip Bathtub Washing Storage Dog Baby Bath Tubs Safety Security Household Foot Basket: <https://www.aliexpress.com/i/4000448326729.html> (Year: 2022).*

IPC Portable Folding Bathtub Baby Shower Portable Silicone Capacity Washing Storage Non-Slip Dog Bath Tubs Foot Spa Bath Hot Tub: <https://www.aliexpress.com/i/32990159676.html> (Year: 2022).*

* cited by examiner

Primary Examiner — Robert A Delehanty

(74) *Attorney, Agent, or Firm* — Xiaofang Zhong; Law Office of Xiaofang Zhong, PLLC

(57) **CLAIM**

The ornamental design for a collapsible bathtub, as shown and described.

DESCRIPTION

FIG. 1 is a front, left, and top perspective view of a collapsible bathtub, showing my design.

FIG. 2 is a rear, right, and bottom perspective view thereof.

FIG. 3 is a front elevation view thereof.

FIG. 4 is a rear elevation view thereof.

FIG. 5 is a left side elevation view thereof.

FIG. 6 is a right side elevation view thereof.

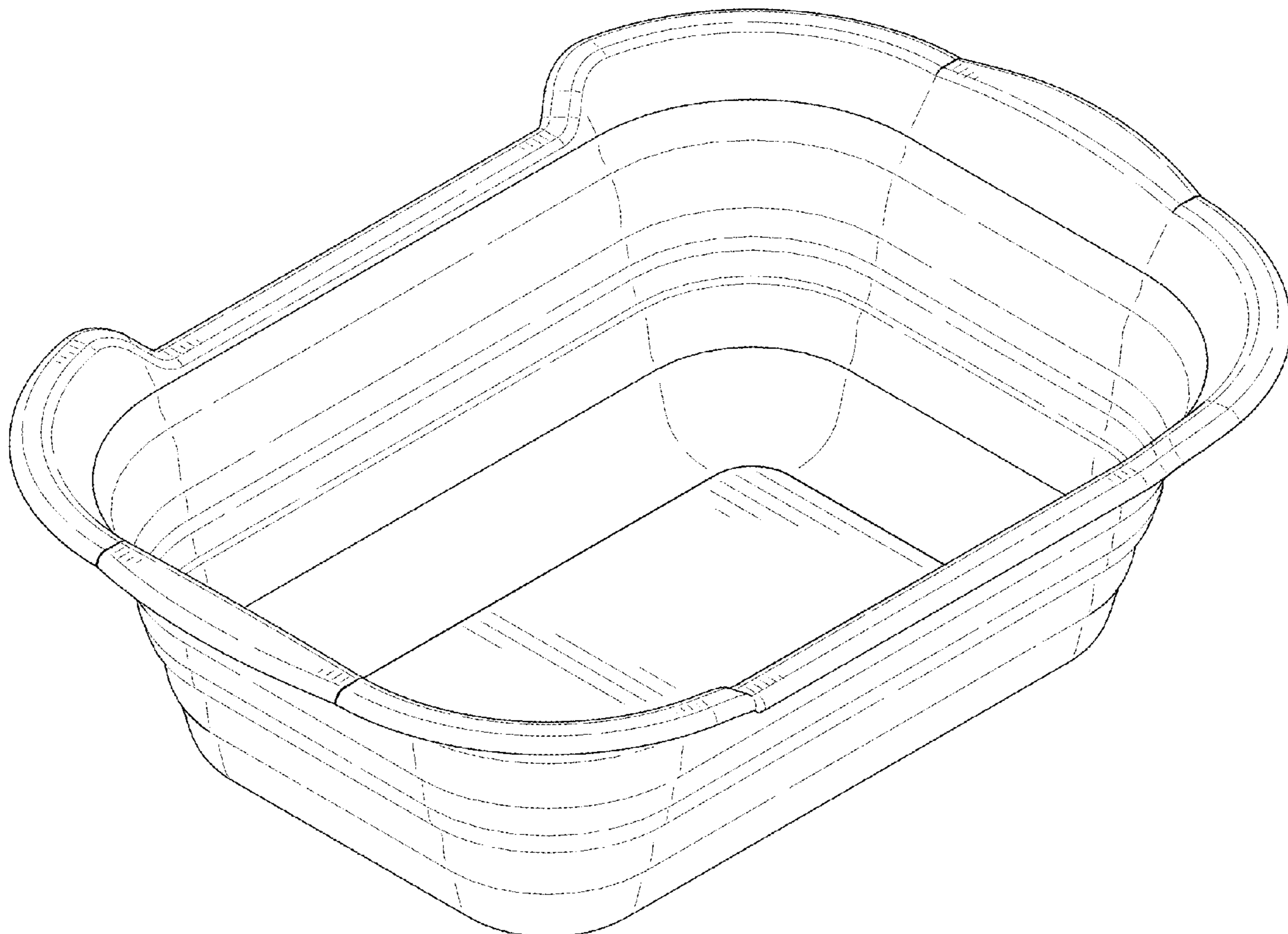
FIG. 7 is a top plan view thereof.

FIG. 8 is a bottom plan view thereof; and,

FIG. 9 is a front, left, and top perspective view of the collapsible bathtub of FIG. 1 shown in a folded state.

The broken lines shown in the drawings are included for the purpose of illustrating portions of the collapsible bathtub that form no part of the claimed design.

1 Claim, 9 Drawing Sheets



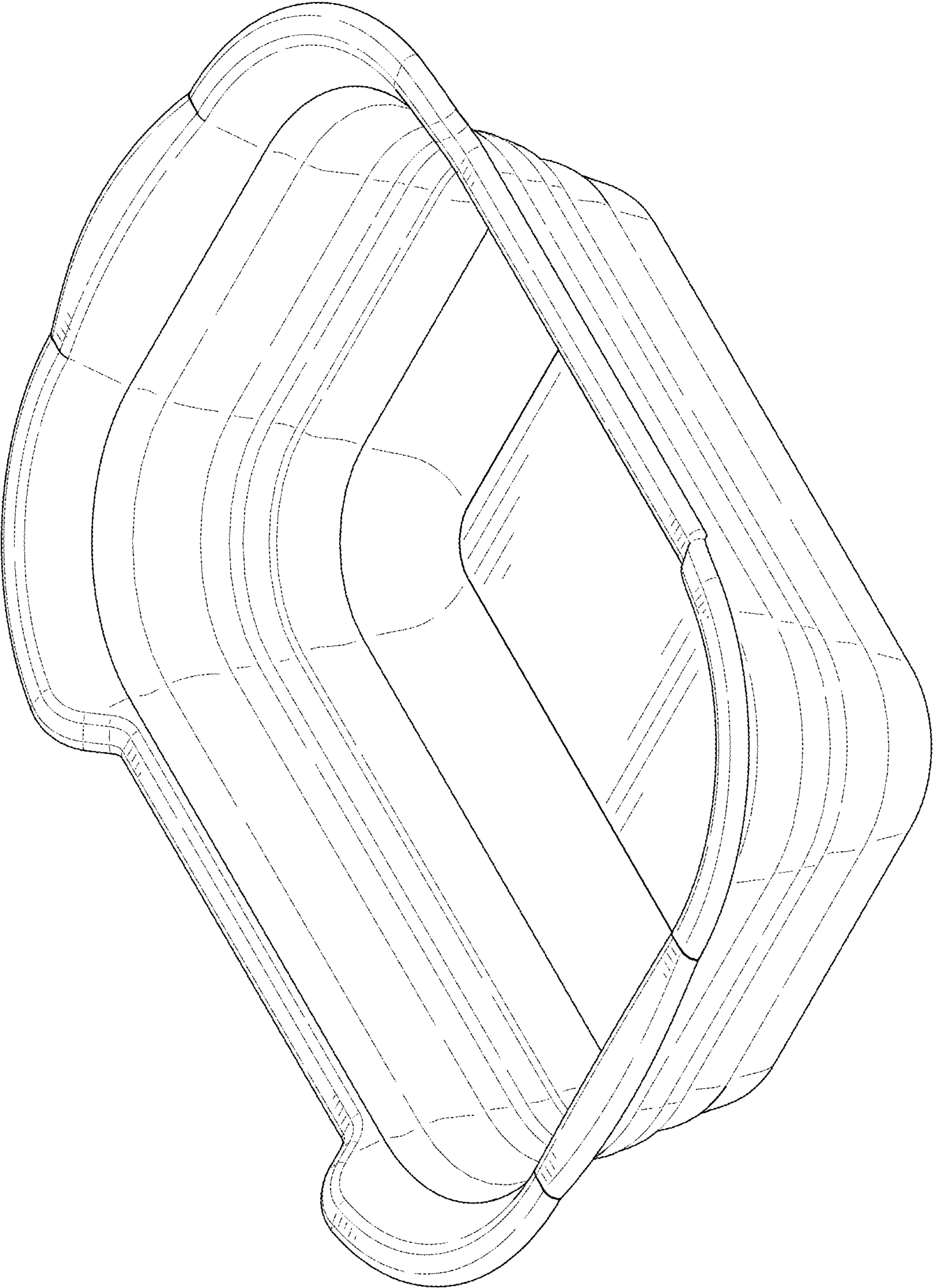


FIG. 1

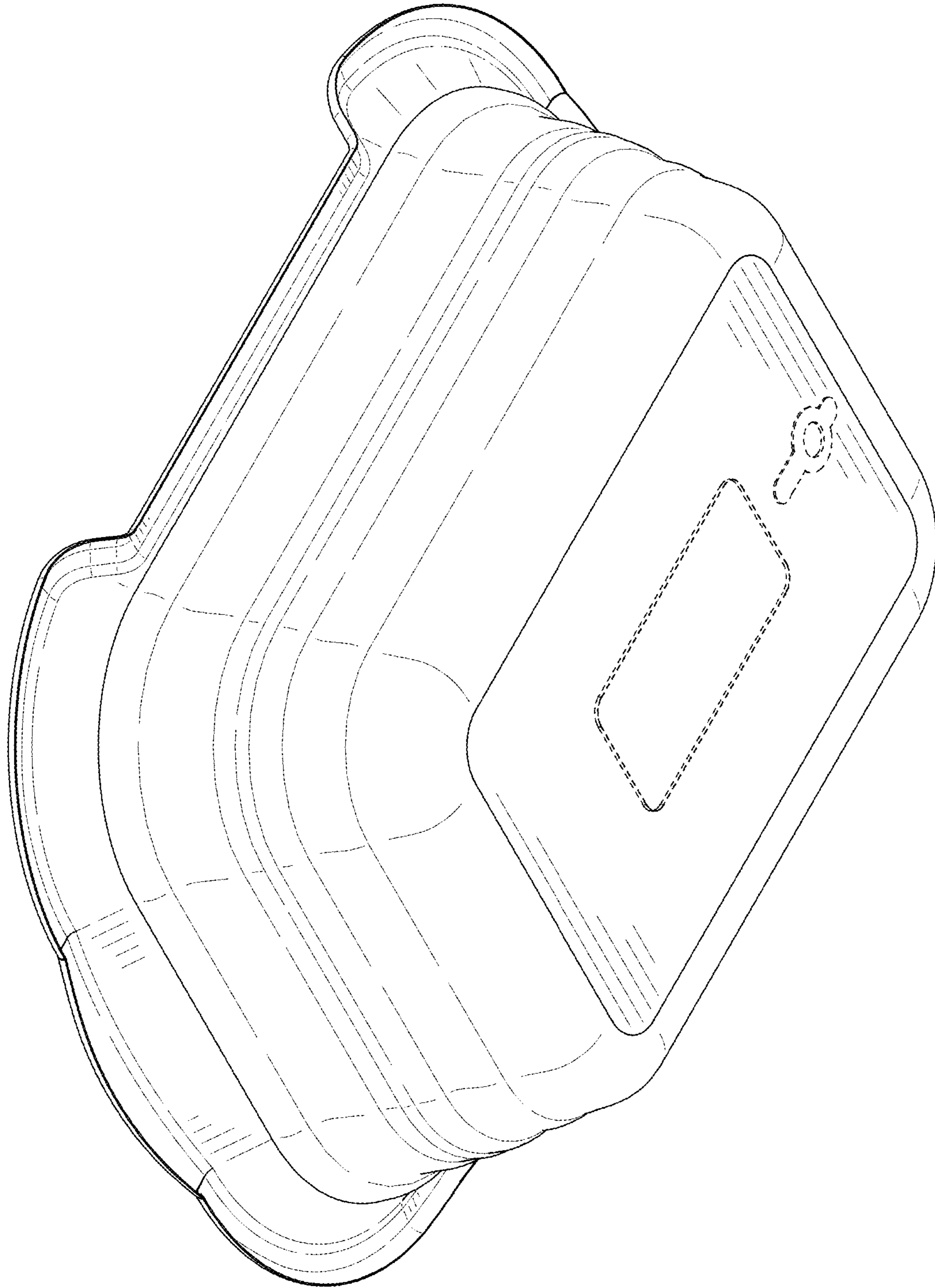


FIG. 2

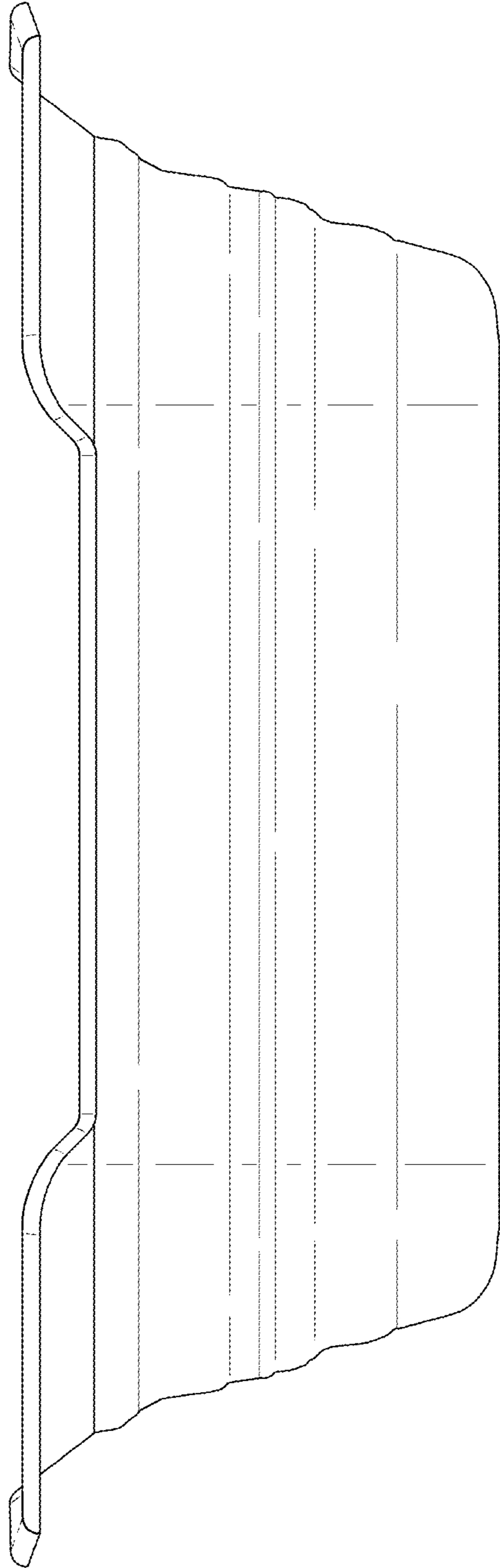


FIG. 3

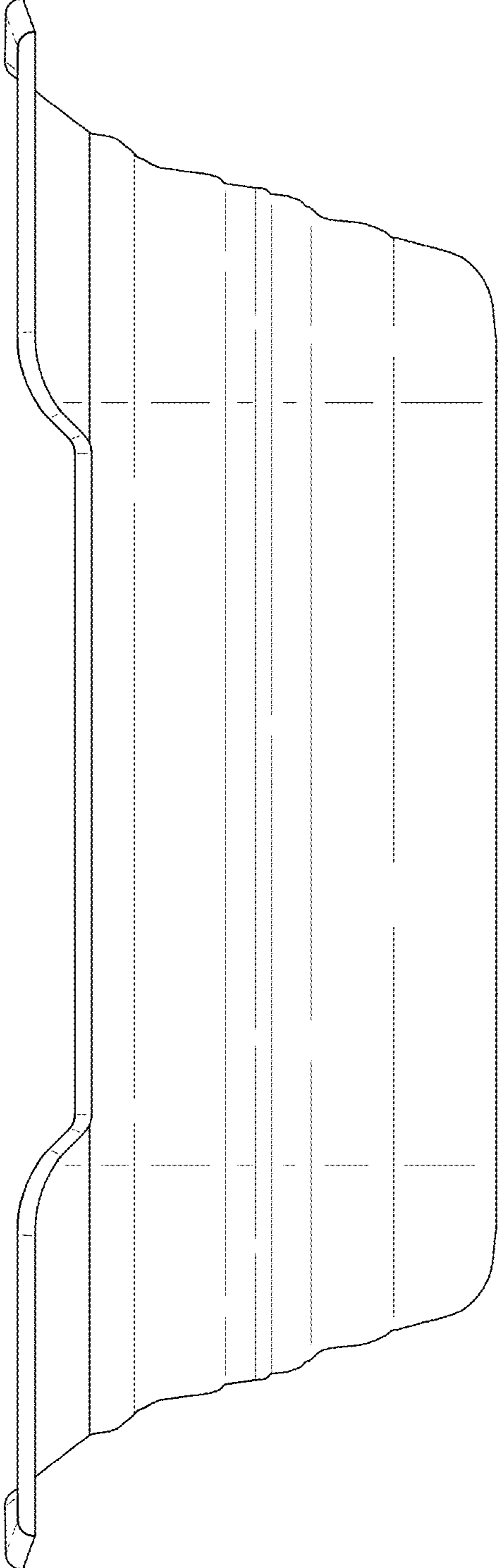


FIG. 4

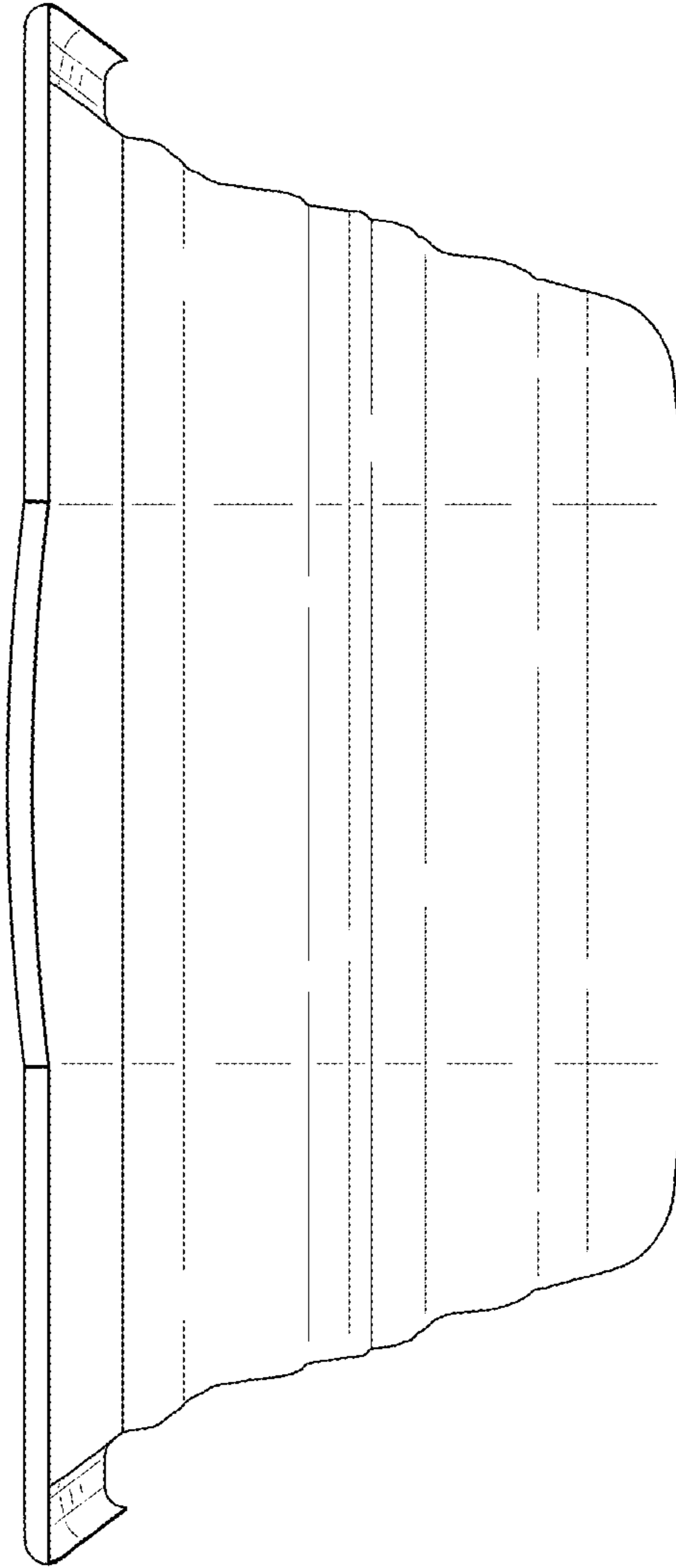


FIG. 5

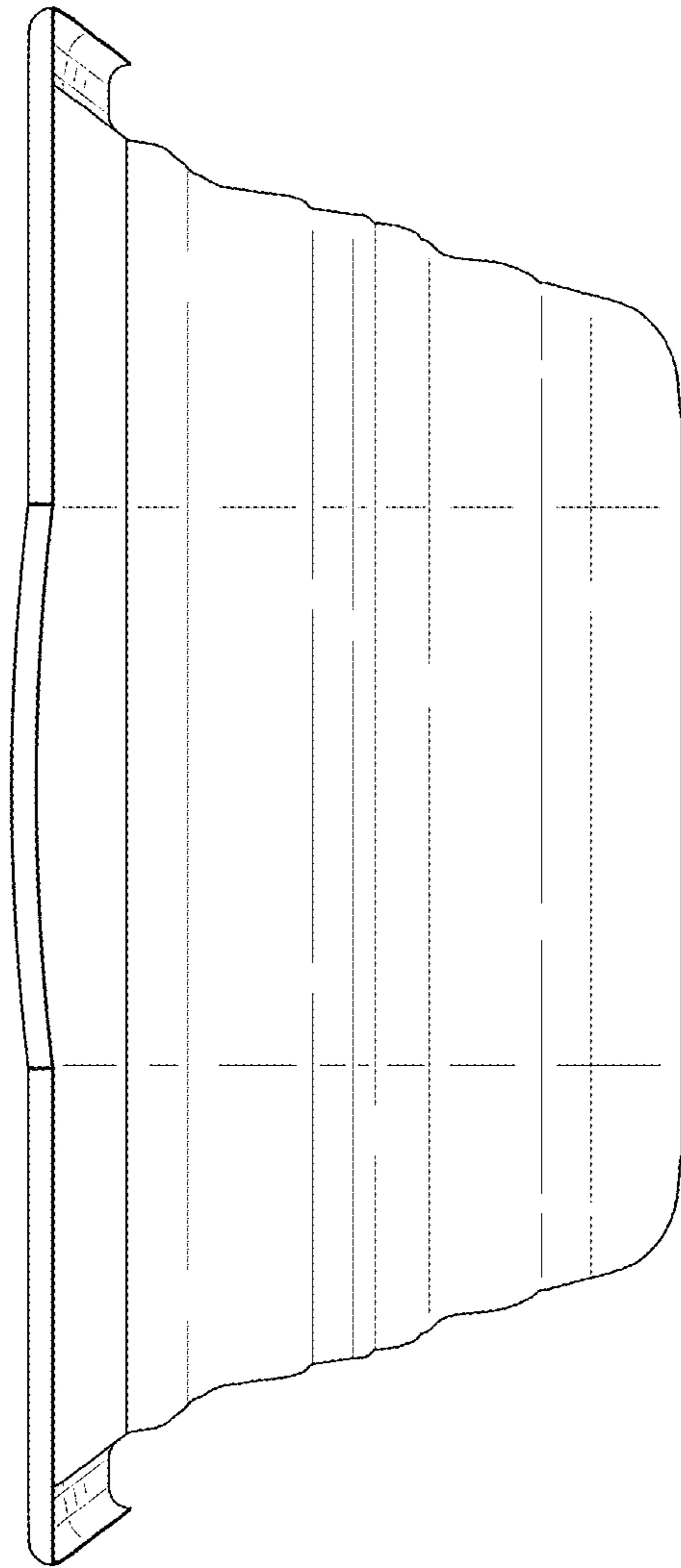


FIG. 6

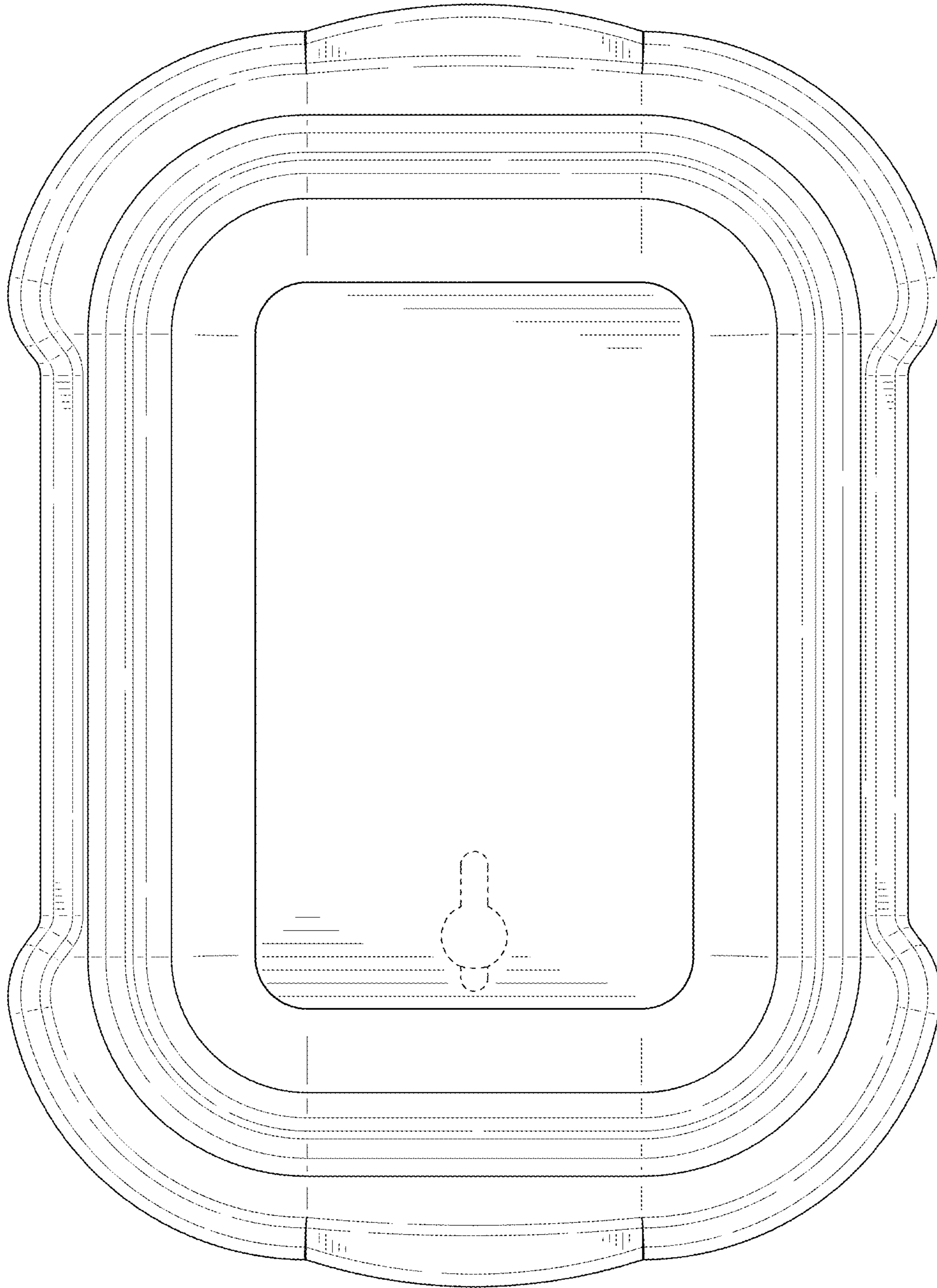


FIG. 7

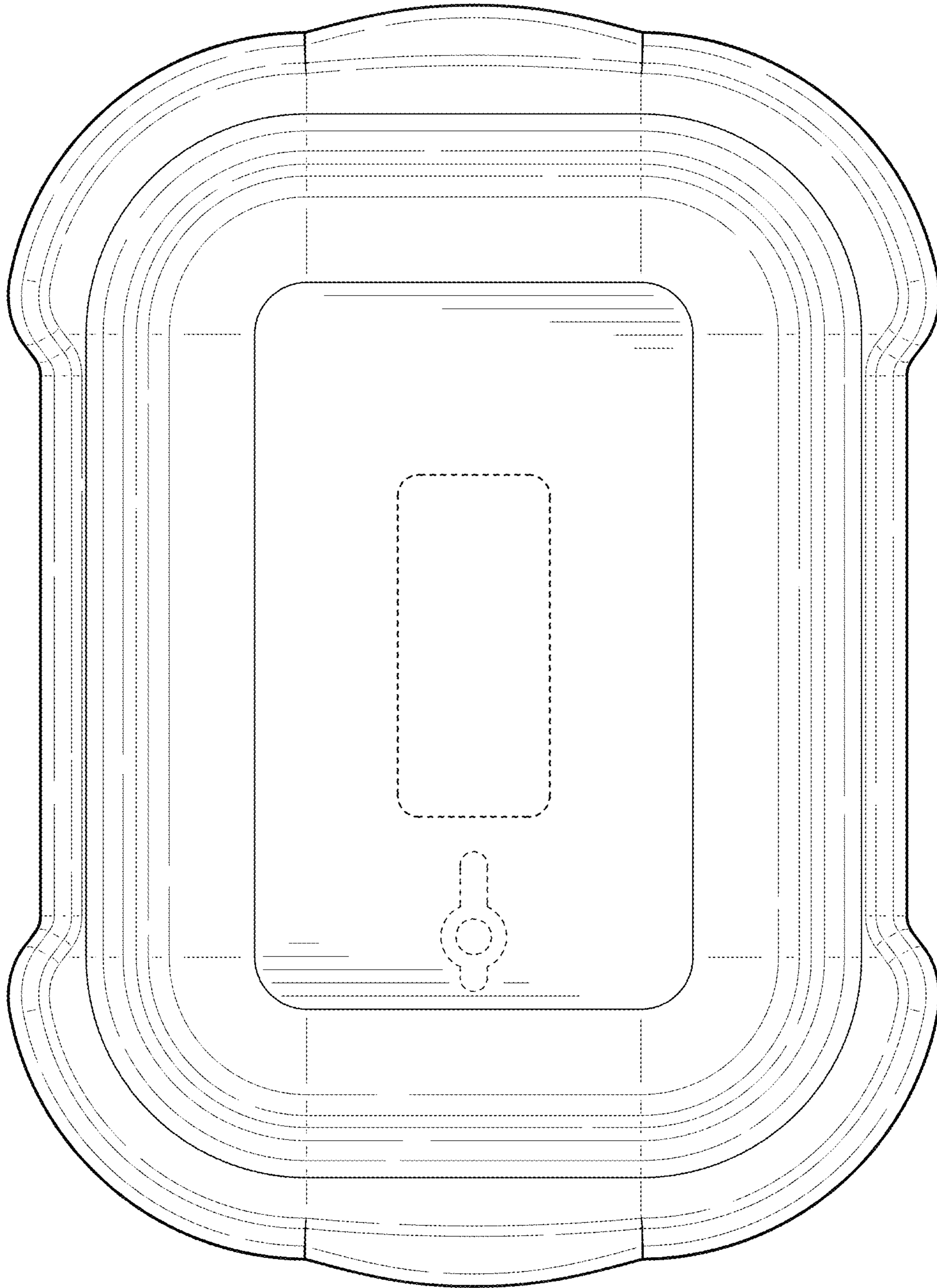


FIG. 8

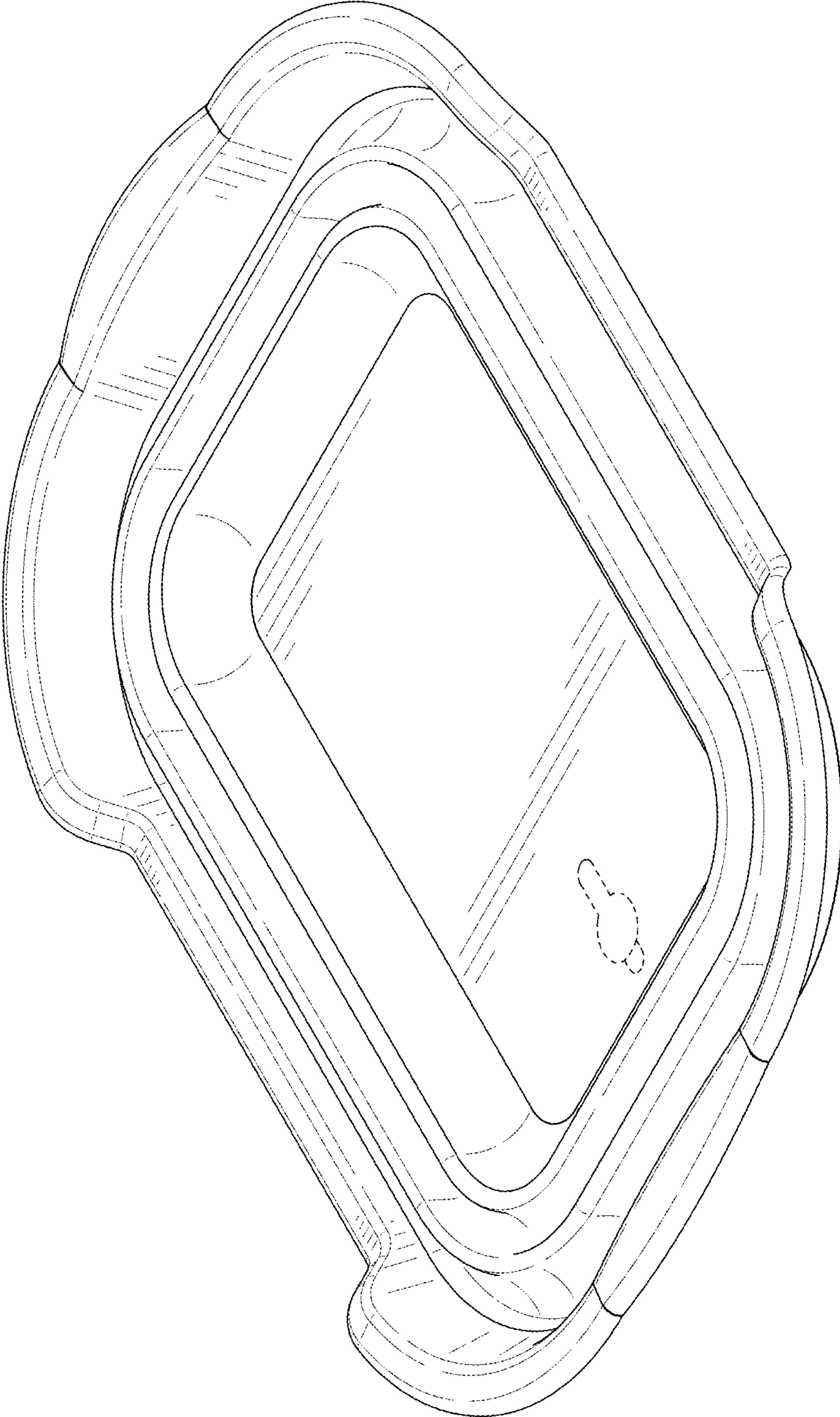


FIG. 9