



US00D948002S

(12) **United States Design Patent** (10) **Patent No.:** **US D948,002 S**
Bélanger (45) **Date of Patent:** **** Apr. 5, 2022**

(54) **BATHTUB**

FOREIGN PATENT DOCUMENTS

(71) Applicant: **Wet Manufacturing Inc.**, Saint-Bruno (CA)

CN 301376263 * 5/2010
CN 302790944 * 11/2013
CN 305500069 * 6/2019

(72) Inventor: **Pierre Bélanger**, Saint-Bruno (CA)

OTHER PUBLICATIONS

(73) Assignee: **Wet Manufacturing Inc.**, Saint-Bruno (CA)

Ove Decors Freestanding Acrylic Bathtub, first available Jul. 13, 2012[online], [site visited Jul. 12, 2021]. Available from internet, URL:<<https://www.amazon.com/Ove-Decors-Serenity-71-Inch-Freestanding/dp/B008KFF304>> (Year: 2012).*

(**) Term: **15 Years**

(Continued)

(21) Appl. No.: **29/718,710**

(22) Filed: **Dec. 27, 2019**

Primary Examiner — Barbara Fox

Assistant Examiner — Jamaal Rasheed

(30) **Foreign Application Priority Data**

(74) *Attorney, Agent, or Firm* — Hodgson Russ LLP

Jun. 28, 2019 (CA) CA 188420

(51) **LOC (13) Cl.** **23-01**

(57) **CLAIM**

(52) **U.S. Cl.**

USPC **D23/277**

The ornamental design for a bathtub, as shown and described.

(58) **Field of Classification Search**

USPC ... D23/277–279, 280.1, 280.2, 280.3, 280.4, D23/304–307

CPC A47K 3/02; A47K 3/022; A47K 3/006

See application file for complete search history.

DESCRIPTION

(56) **References Cited**

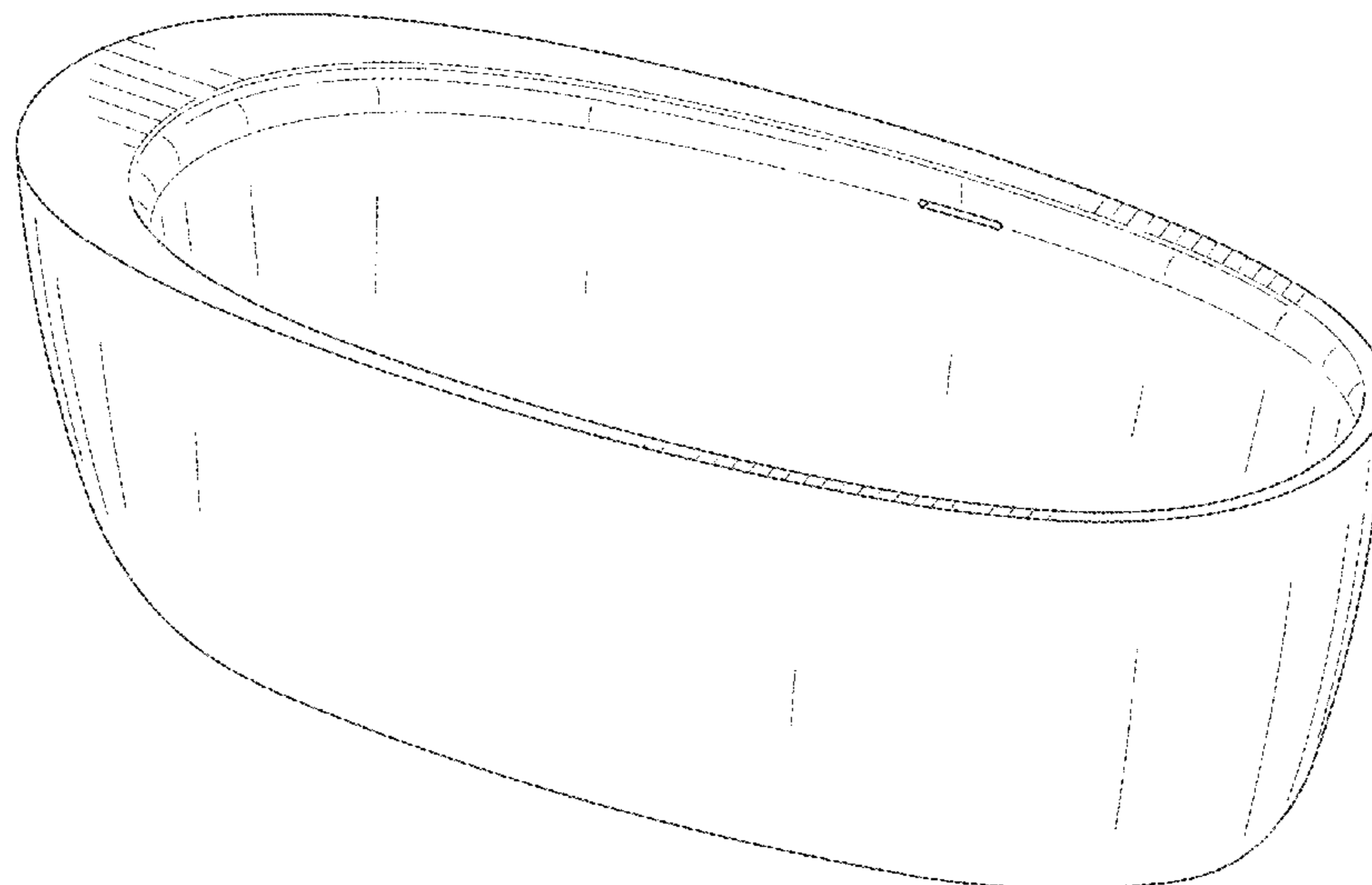
U.S. PATENT DOCUMENTS

D444,547 S * 7/2001 Kuo D23/280.1
D470,579 S * 2/2003 Foster D23/280.1
D483,444 S * 12/2003 Lebrun D23/277
D510,615 S * 10/2005 Matthews D23/280.1
D595,392 S * 6/2009 Verlinden D23/278
D694,866 S * 12/2013 Quigley D23/277
D709,598 S * 7/2014 Dupras D23/280.1
D724,706 S * 3/2015 Meneghello D23/277
D745,644 S * 12/2015 Burke D23/277
D745,645 S * 12/2015 Burke D23/277
D784,499 S * 4/2017 Malinowska-Grebska ... D23/277
D794,167 S * 8/2017 Burke D23/277
D827,789 S * 9/2018 Bowen D23/277

FIG. 1 is top plan view of a bathtub;
FIG. 2 is a left side elevation view thereof, the right side elevation view, not shown, having the same appearance as the left side elevation view;
FIG. 3 is a front elevation view thereof, the rear elevation view, not shown, having the same appearance as the front elevation view;
FIG. 4 is a front-top-left side perspective view thereof;
FIG. 5 is another front-top-left side perspective view thereof;
FIG. 6 is another front-top-left side perspective view thereof;
FIG. 7 is a top-left side perspective view thereof; and,
FIG. 8 is rear-top-left side perspective view thereof.

(Continued)

1 Claim, 6 Drawing Sheets



(56)

References Cited

U.S. PATENT DOCUMENTS

D827,790 S * 9/2018 Bowen D23/277
D882,047 S * 4/2020 Burnstein D23/277
D895,080 S * 9/2020 Moir D23/280.1
D905,210 S * 12/2020 Moir D23/280.1
D913,456 S * 3/2021 Manz D23/280.1
2008/0072375 A1* 3/2008 Stewart A61H 33/005
4/584
2014/0068852 A1* 3/2014 Page A61G 7/0005
4/547
2016/0281341 A1* 9/2016 Seckler E03C 1/232
2020/0078263 A1* 3/2020 Amici A61H 33/6073

OTHER PUBLICATIONS

BMD 01 Mood Collection, announced Date unavailable[online],
[site visited Jul. 15, 2021]. Available from internet, URL:<[https://
wetstyle.ca/product/bmd-01/](https://wetstyle.ca/product/bmd-01/)> (Year: 2021).*

* cited by examiner

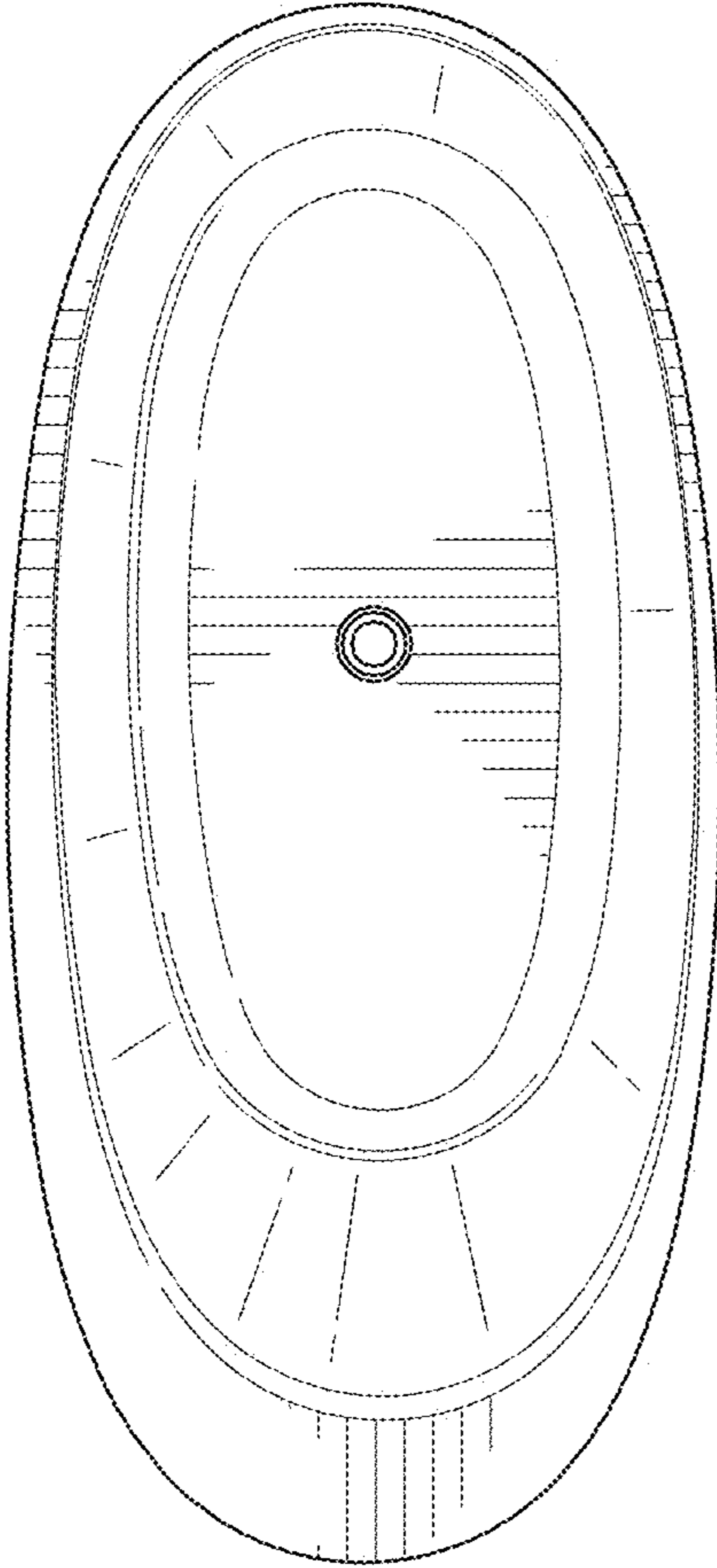


FIG. 1

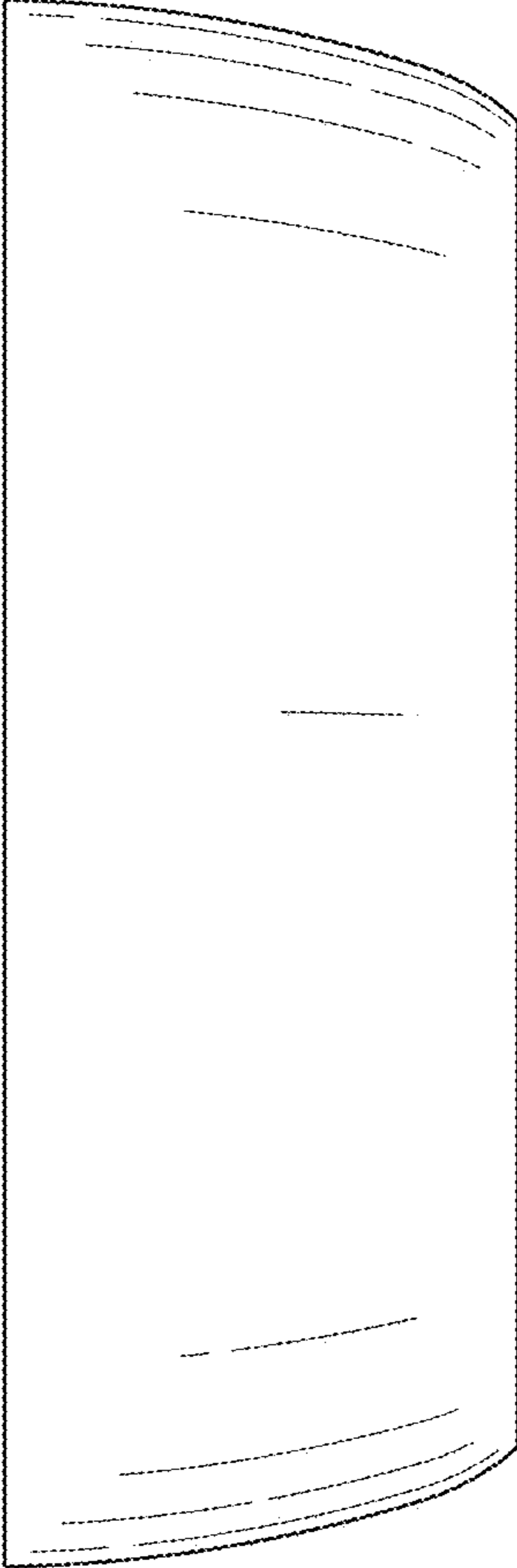


FIG. 2

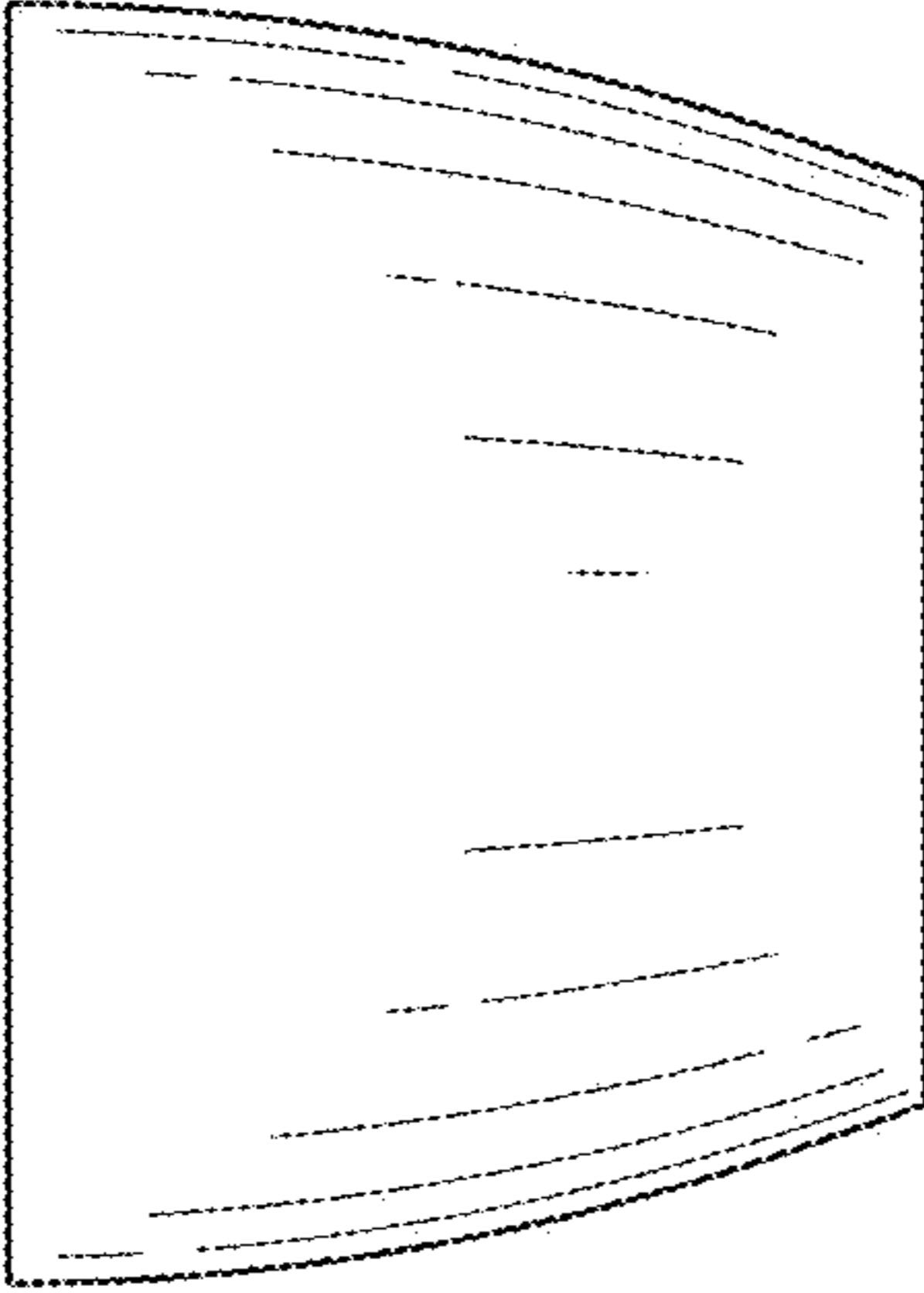


FIG. 3

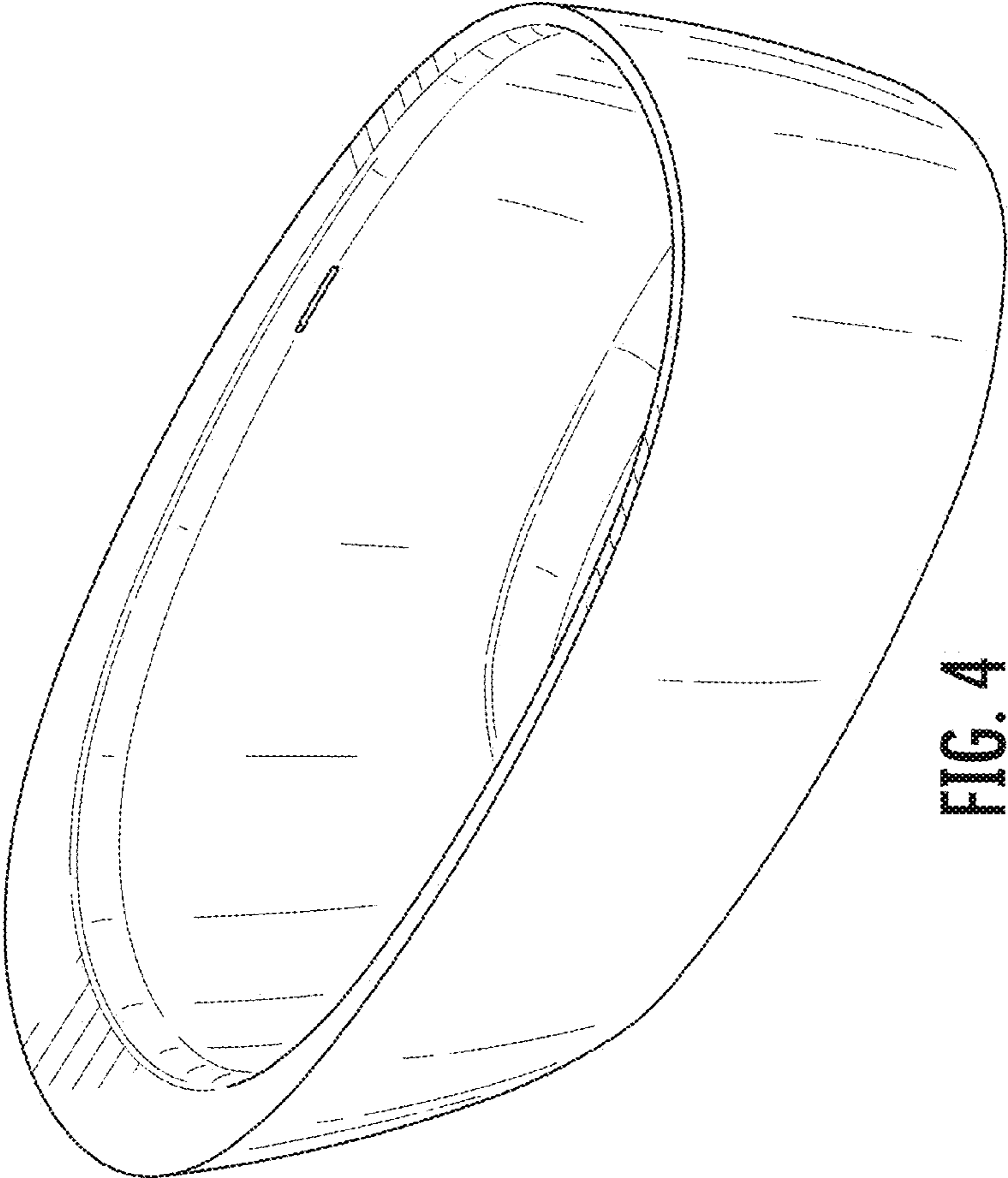


FIG. 4

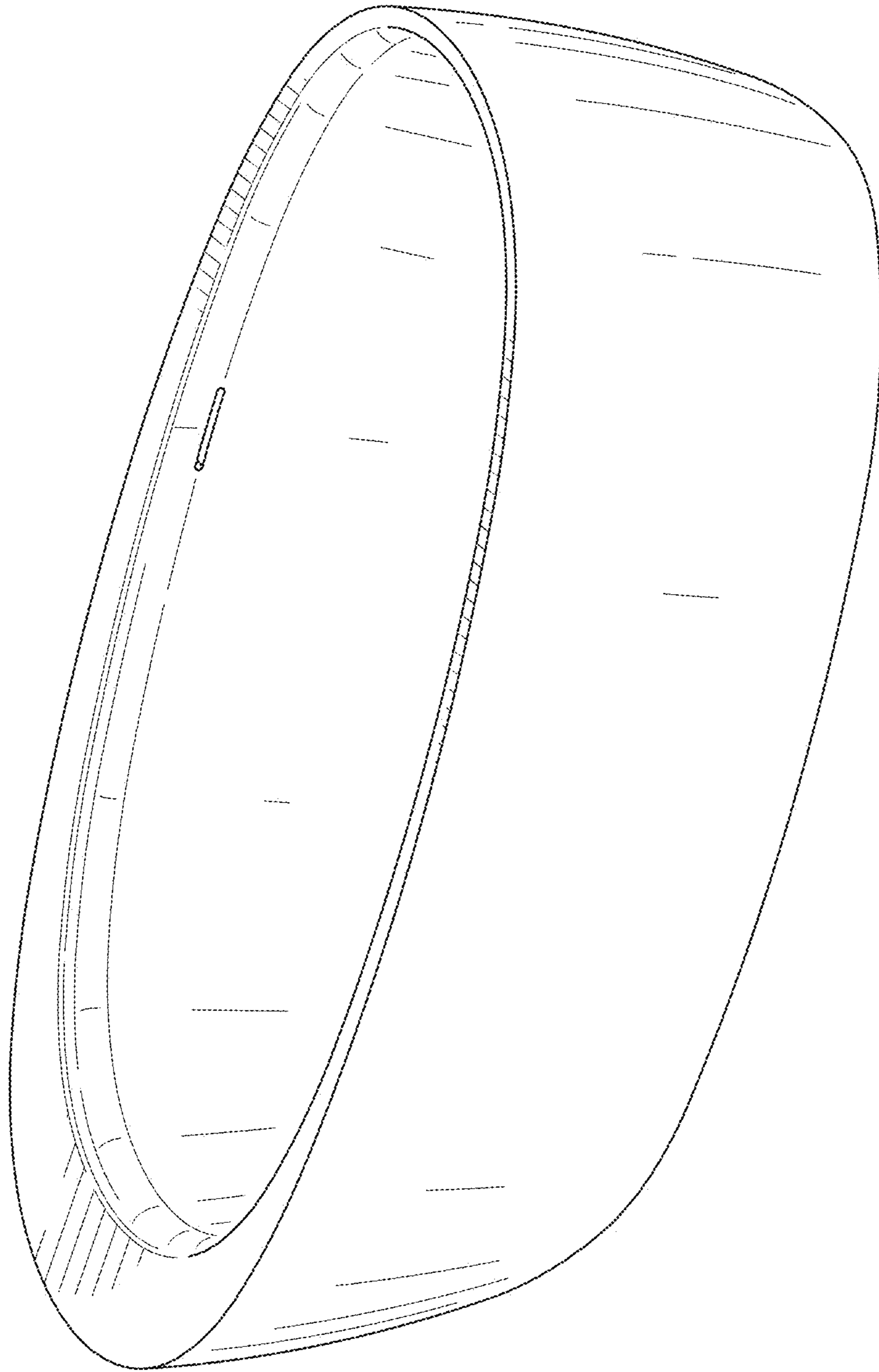


FIG. 5

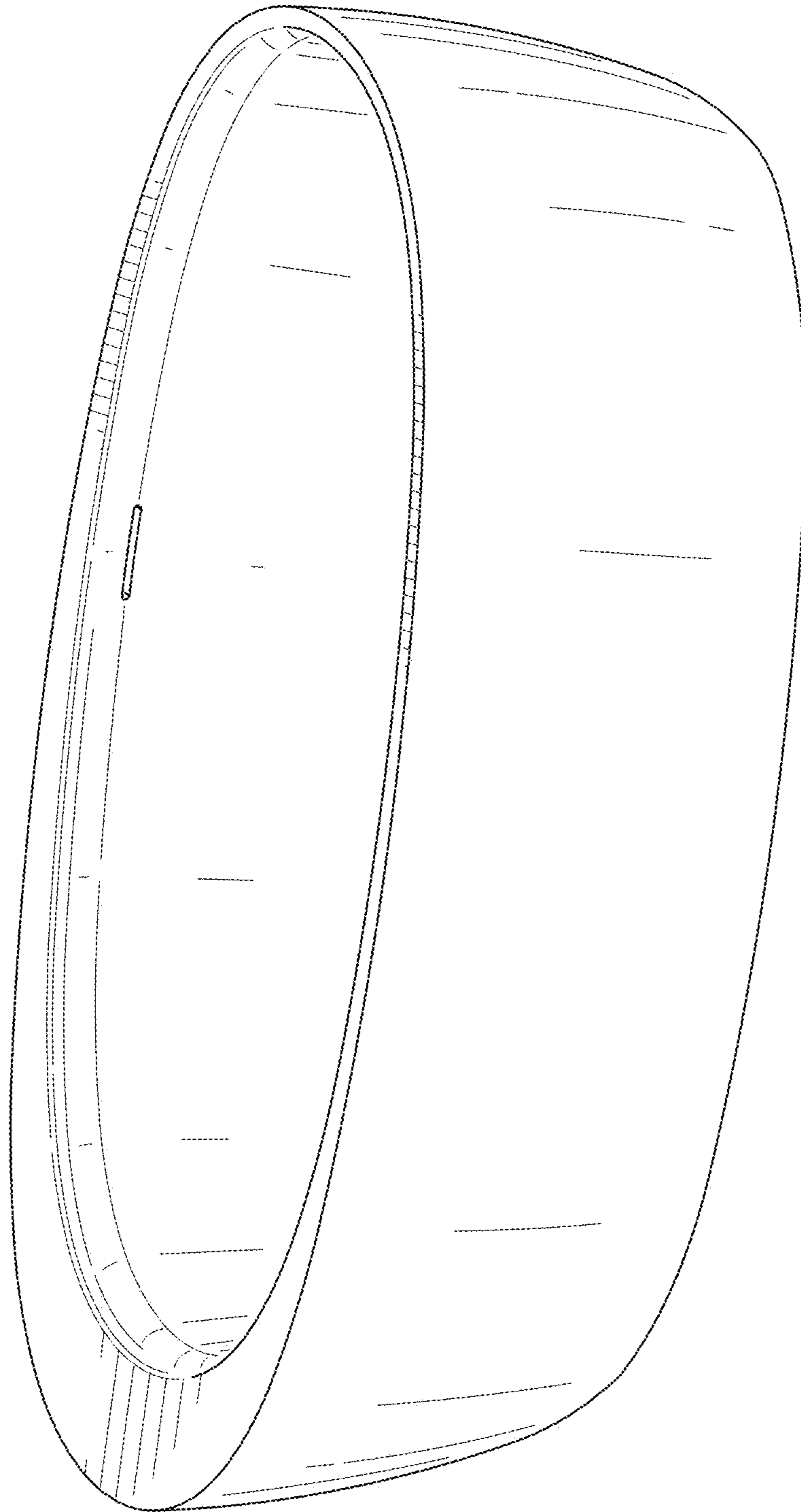


FIG. 6

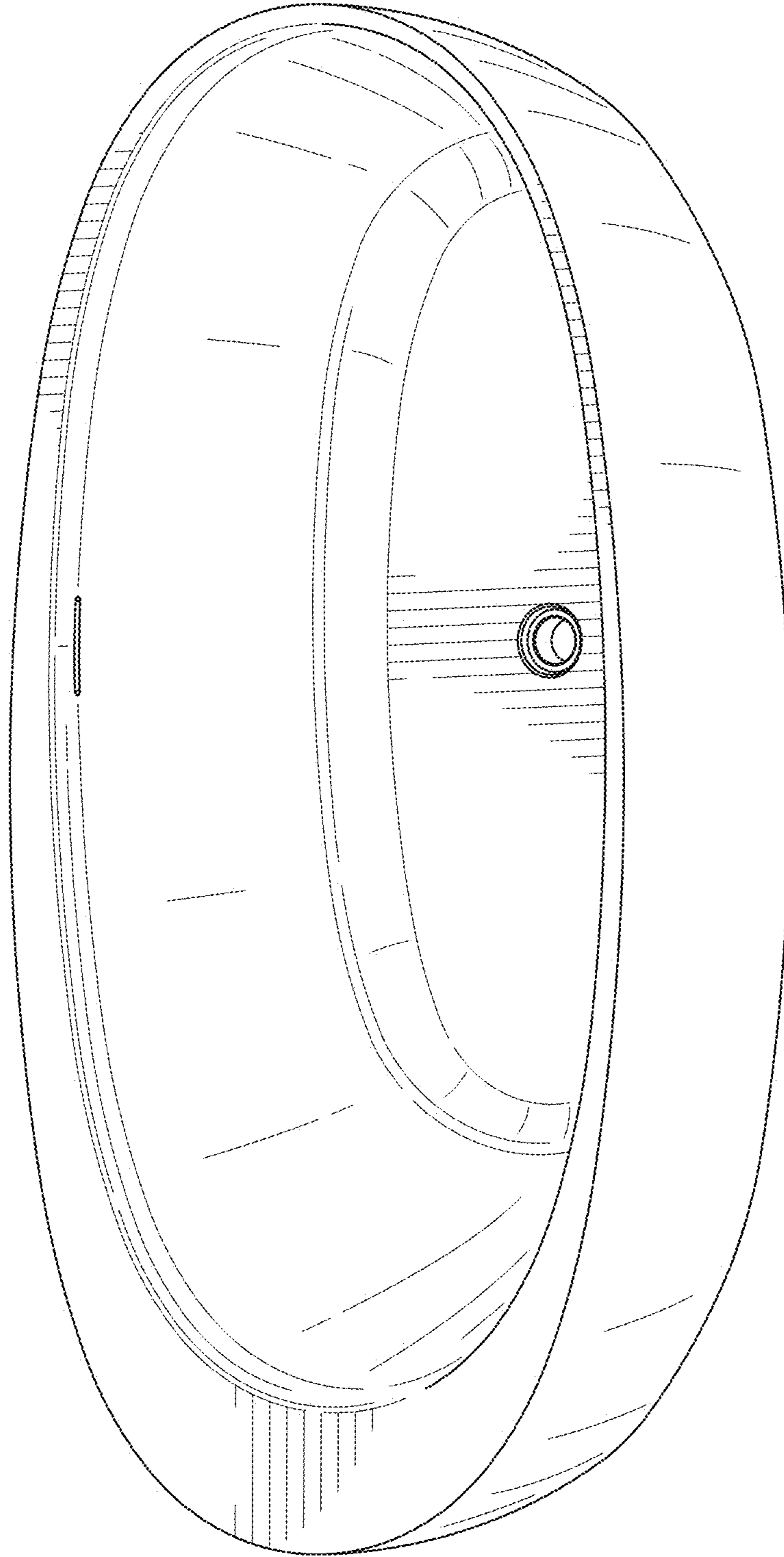


FIG. 7

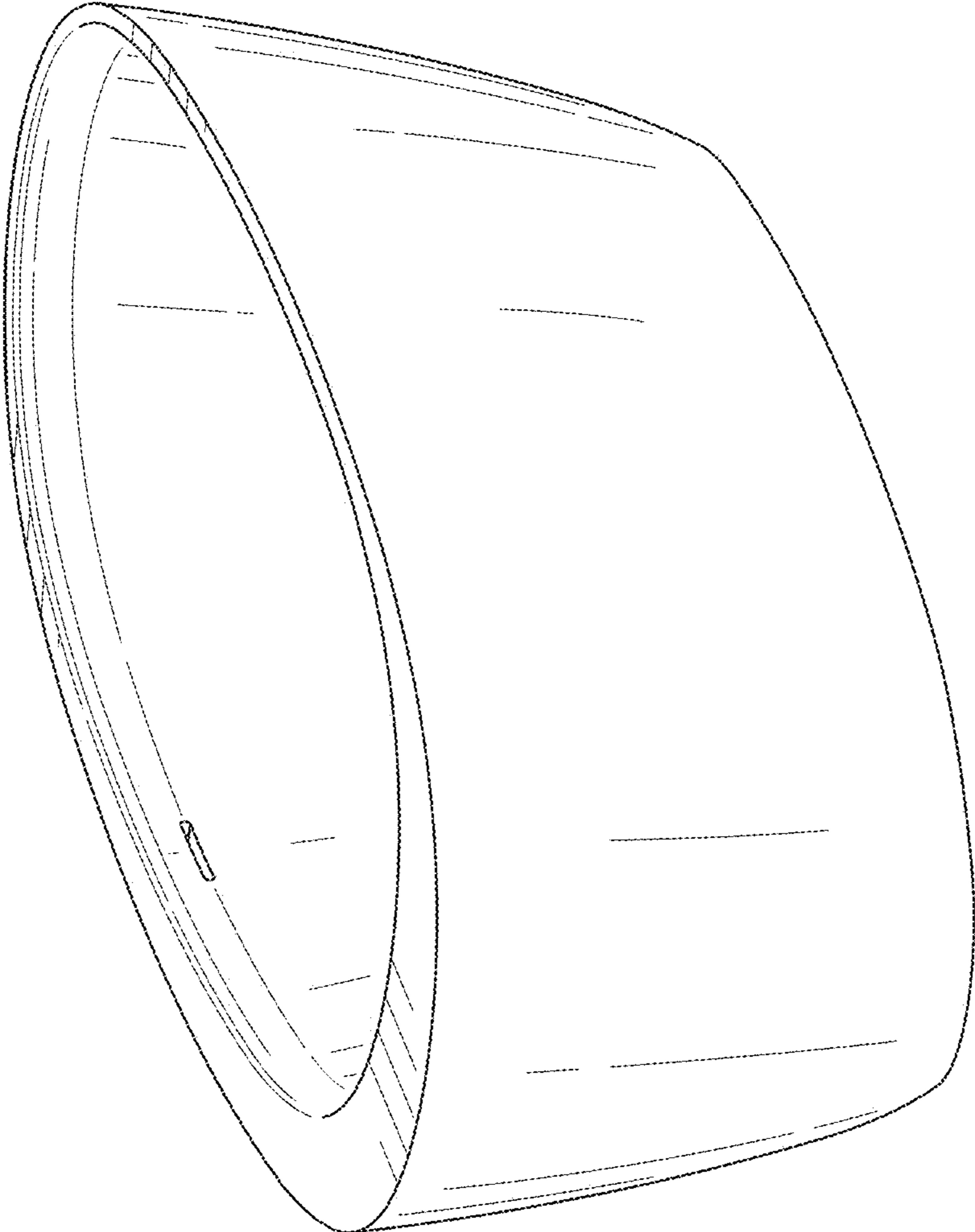


FIG. 8