



US00D948001S

(12) **United States Design Patent**
Frazier

(10) **Patent No.:** **US D948,001 S**

(45) **Date of Patent:** **** Apr. 5, 2022**

- (54) **OFFSET GRID STRAINER HUB**
- (71) Applicant: **Michael Lee Frazier**, Delta, CO (US)
- (72) Inventor: **Michael Lee Frazier**, Delta, CO (US)
- (**) Term: **15 Years**
- (21) Appl. No.: **29/813,685**
- (22) Filed: **Oct. 31, 2021**
- (51) **LOC (13) Cl.** **23-01**
- (52) **U.S. Cl.**
USPC **D23/263**
- (58) **Field of Classification Search**
USPC D23/229–266; D8/349, 382; D24/129;
4/286–288, 290–293; 285/114–116
CPC E21B 17/042; E21B 33/05; E03F 5/04;
A47K 1/14; A47J 47/02; F16L 19/04
See application file for complete search history.

- D475,768 S * 6/2003 Walker D23/262
- D498,821 S * 11/2004 Nortier F16L 41/10
D23/249
- D568,965 S * 5/2008 Johnson D23/233
- D584,386 S * 1/2009 Zelko D23/263
- D606,388 S * 12/2009 Werschmidt D8/382
- D712,473 S * 9/2014 Andochick D19/81
- 2016/0010775 A1 * 1/2016 Morroney F16L 43/008
285/133.11

OTHER PUBLICATIONS

American Standard 772318.002 Tailpiece; First Available Date Jan. 28, 2008; Visited Online Feb. 1, 2022; https://www.amazon.com/American-Standard-7723-018-002-Wheelchair-Lavatory/dp/B001007NYA/ref=asc_df_B001007NYA/?tag=hyprod-20&linkCode=df0&hvadid=167137474504&hvpos=&hvnetw=g&hvrnd=5277972485552880028&hvpone=&hvptwo=&hvqmt=&hvdev=c&hvdvcm1=&hvlocint=&hvlocphy=9007571&hvtargid=pla-274588028113&psc=1 (Year: 2008).*

* cited by examiner

Primary Examiner — Amy C Wierenga

(57) **CLAIM**

I claim the ornamental design for an offset grid strainer hub, as shown and described.

DESCRIPTION

This is a Continuation-in-Part of application Ser. No. 29/534,754 filed on Jul. 30, 2015.

FIG. 1 is a perspective view showing my design of the offset grid strainer hub;

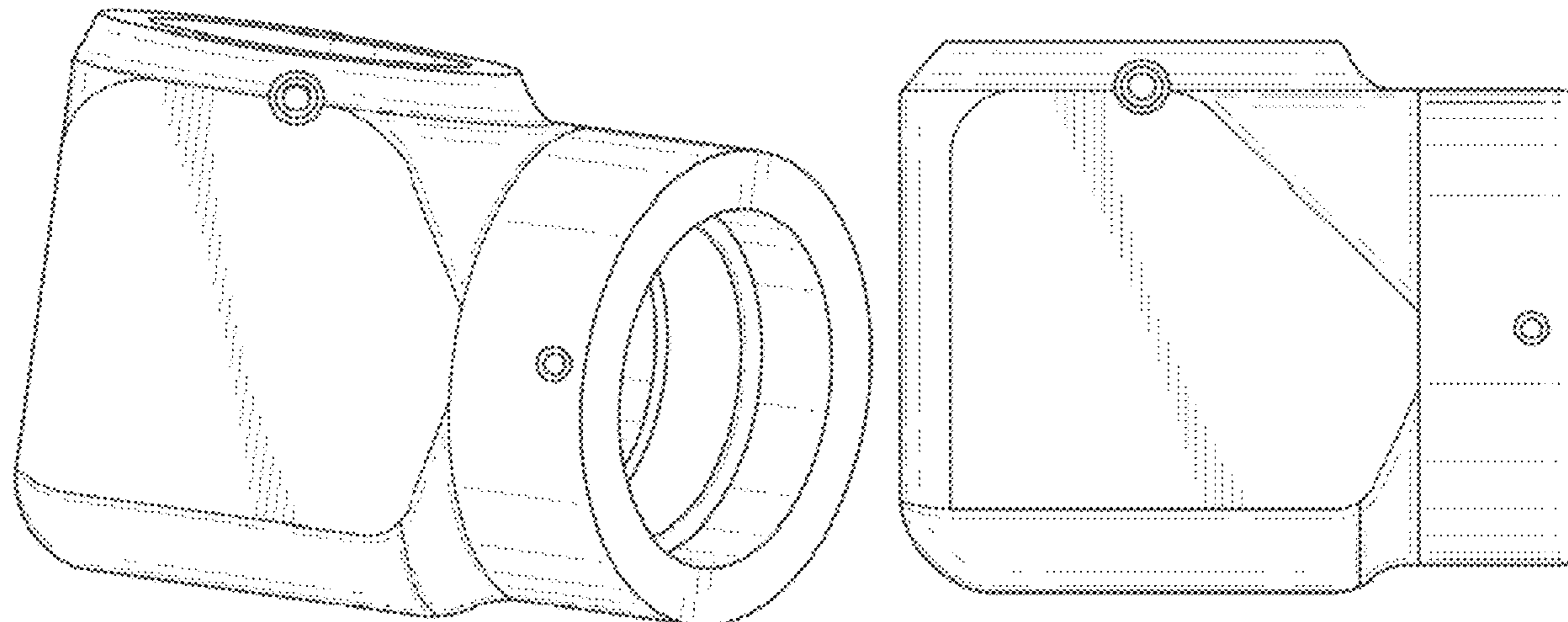
FIG. 2 is a right-side view thereof;

FIG. 3 is a left view thereof;

FIG. 4 is a top internal view thereof; and,

FIG. 5 is a bottom view thereof.

1 Claim, 3 Drawing Sheets



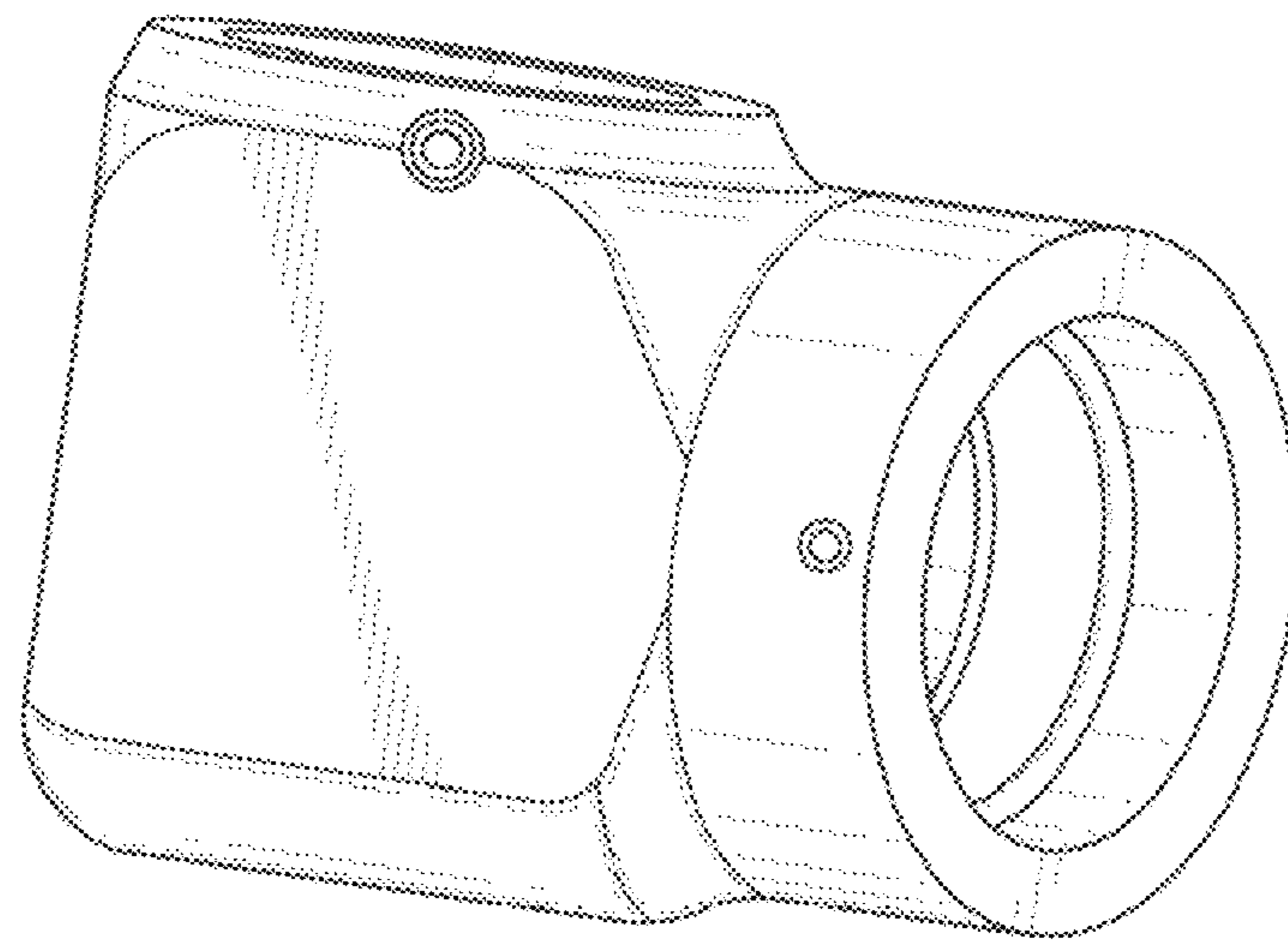


FIG. 1

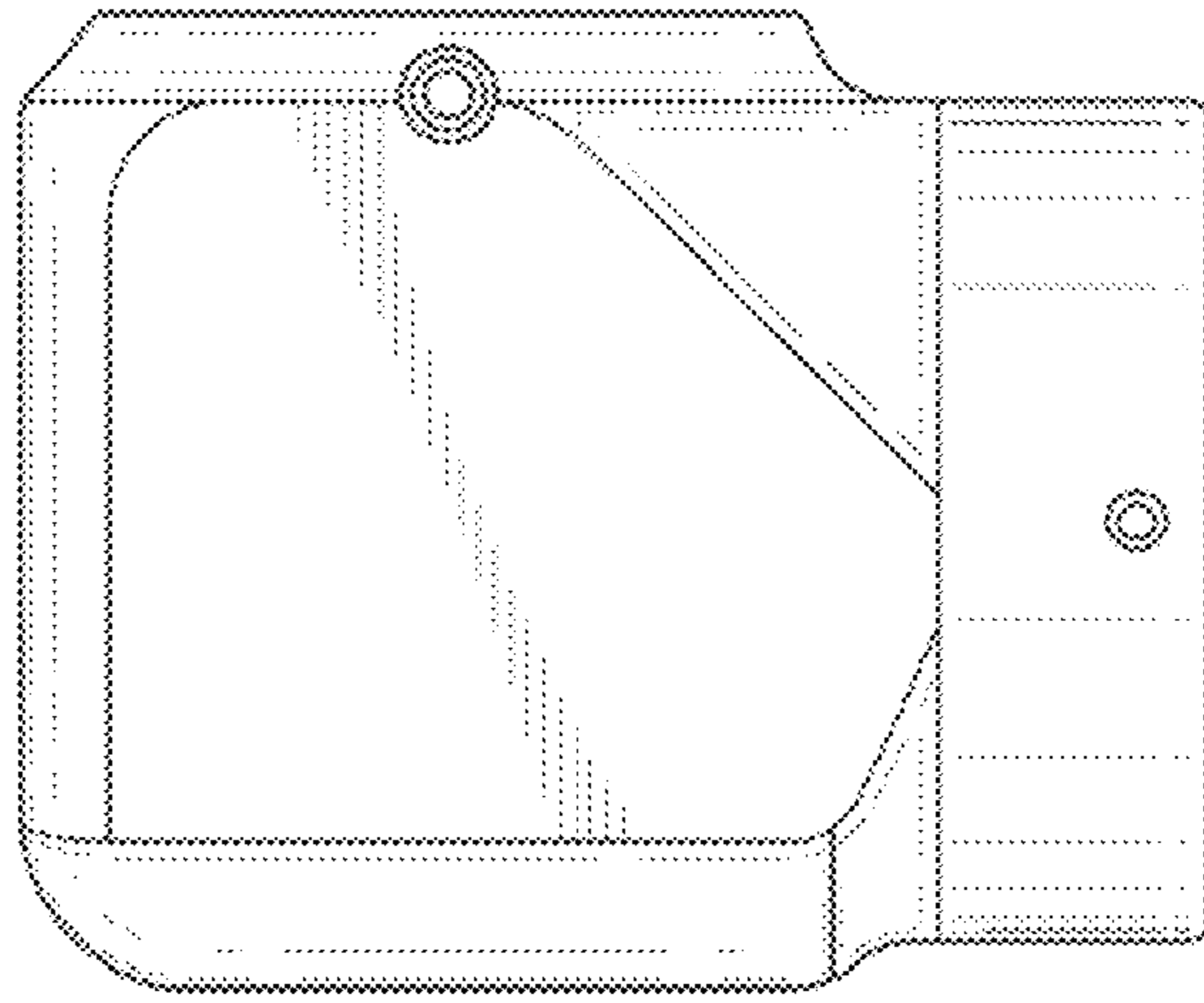


FIG. 2

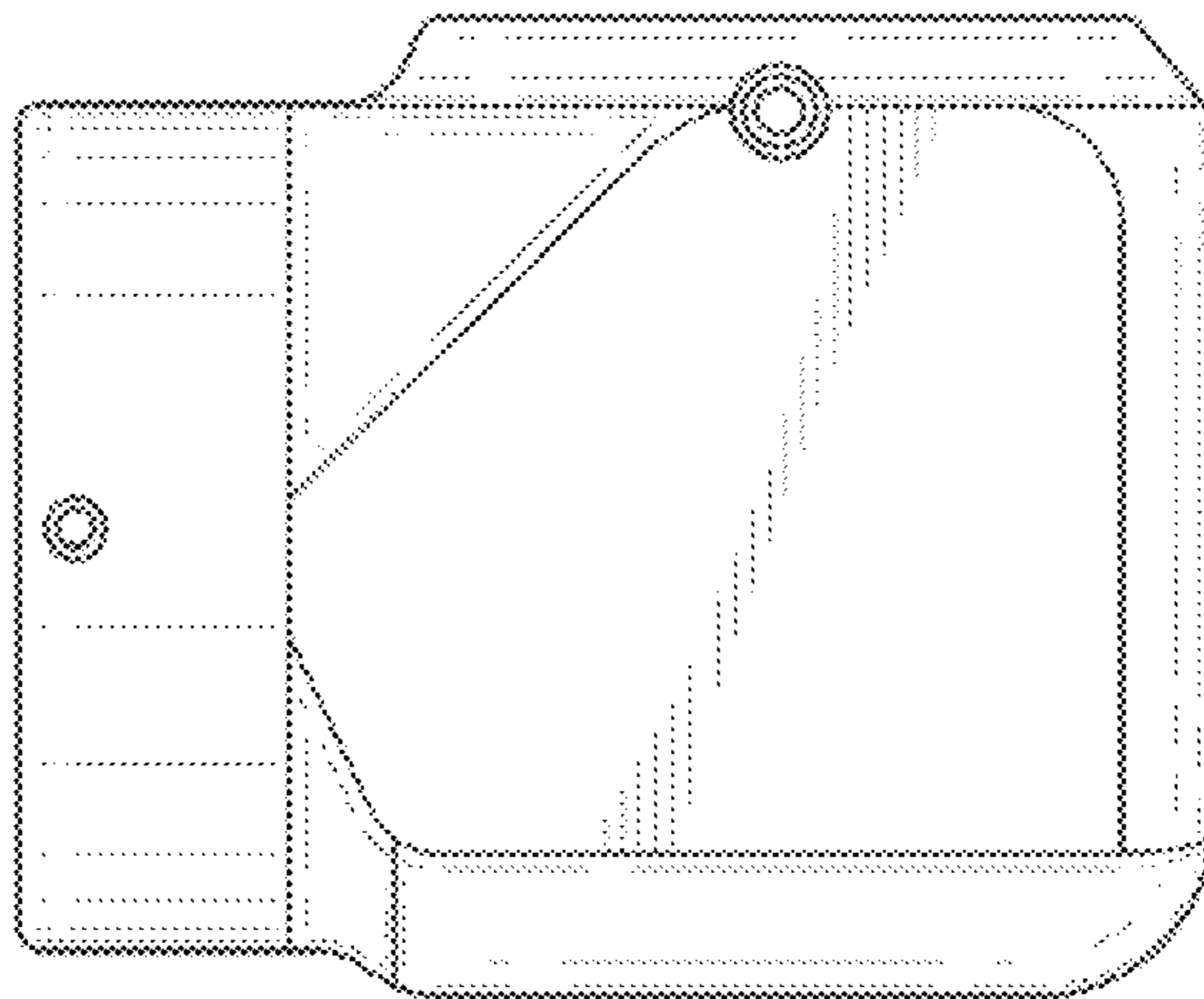


FIG. 3

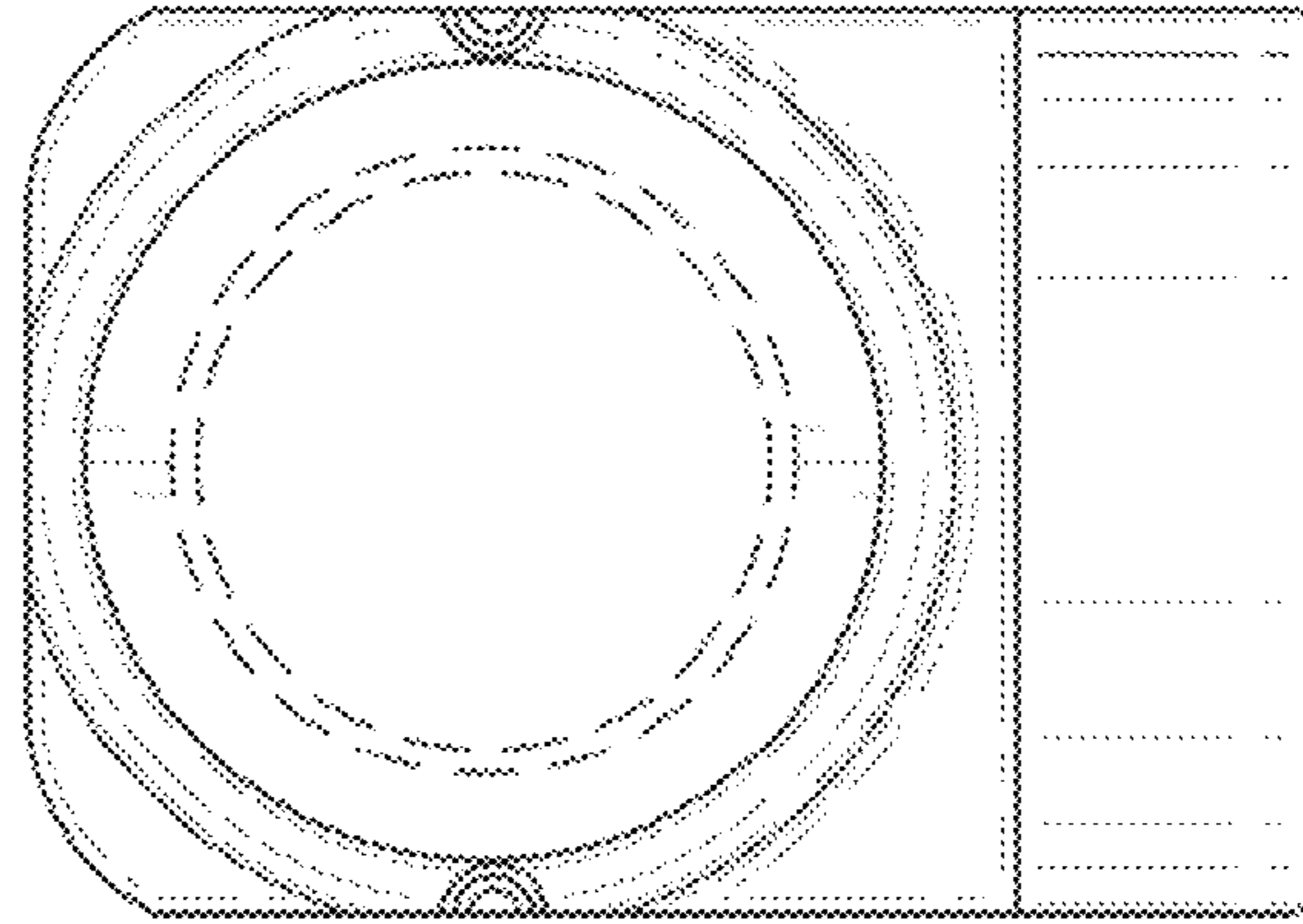


FIG. 4

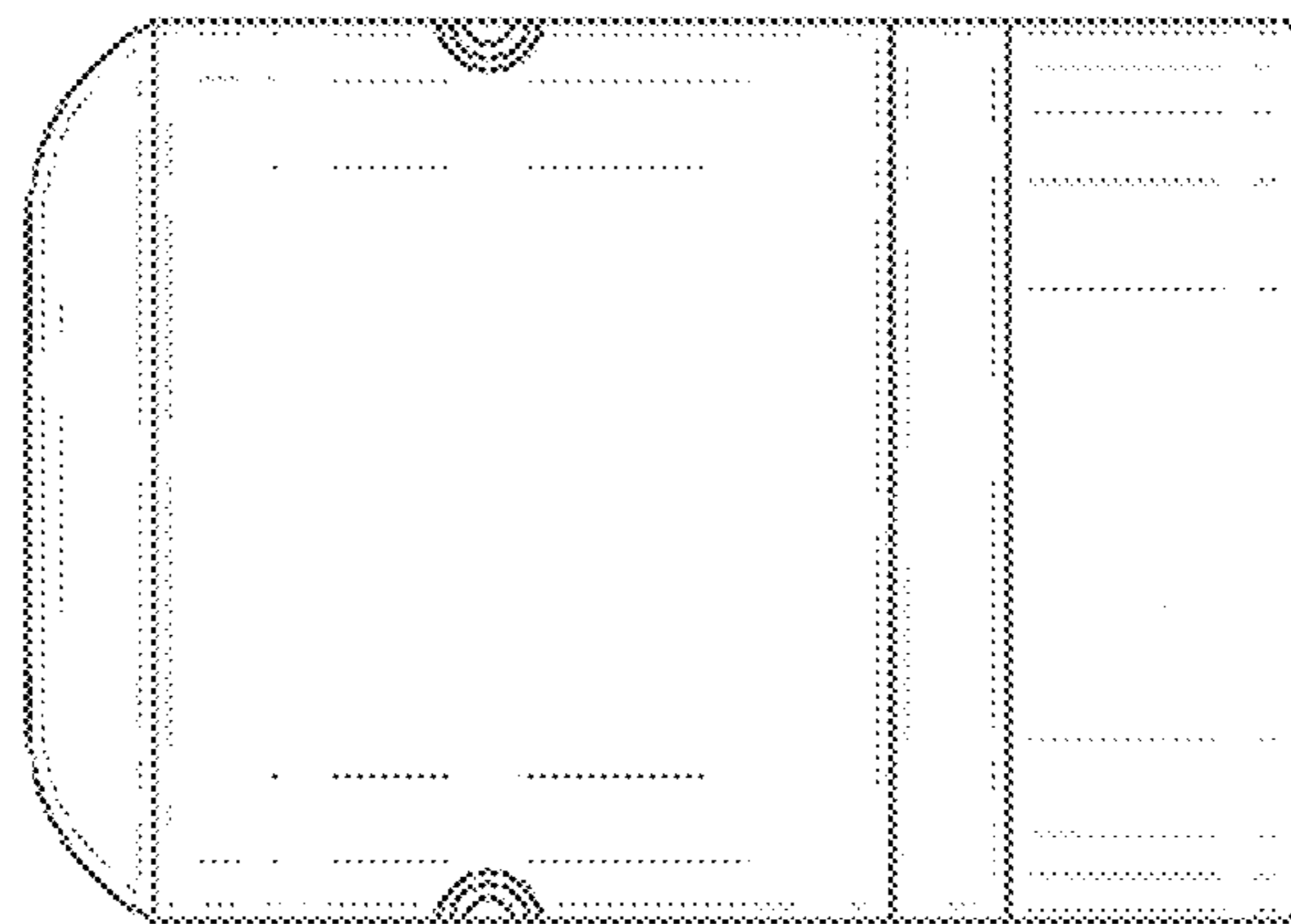


FIG. 5