

US00D948000S

(12) **United States Design Patent**
Elser

(10) **Patent No.:** **US D948,000 S**

(45) **Date of Patent:** **** Apr. 5, 2022**

(54) **FAUCET HANDLE**

D919,757 S * 5/2021 Stoler D23/242
D933,167 S * 10/2021 Upadhyaya D23/242

(71) Applicant: **DELTA FAUCET COMPANY**,
Indianapolis, IN (US)

* cited by examiner

(72) Inventor: **Simon Elser**, Indianapolis, IN (US)

Primary Examiner — Robert A Delehanty

(73) Assignee: **DELTA FAUCET COMPANY**,
Indianapolis, IN (US)

(74) *Attorney, Agent, or Firm* — Nirav D. Parikh; Edgar
A. Zarins

(**) Term: **15 Years**

(57) **CLAIM**

(21) Appl. No.: **29/759,160**

The ornamental design for a faucet handle, as shown and
described.

(22) Filed: **Nov. 20, 2020**

(51) **LOC (13) Cl.** **23-01**

(52) **U.S. Cl.**
USPC **D23/252**

(58) **Field of Classification Search**
USPC D23/241–243, 252, 254; D8/307–308
See application file for complete search history.

DESCRIPTION

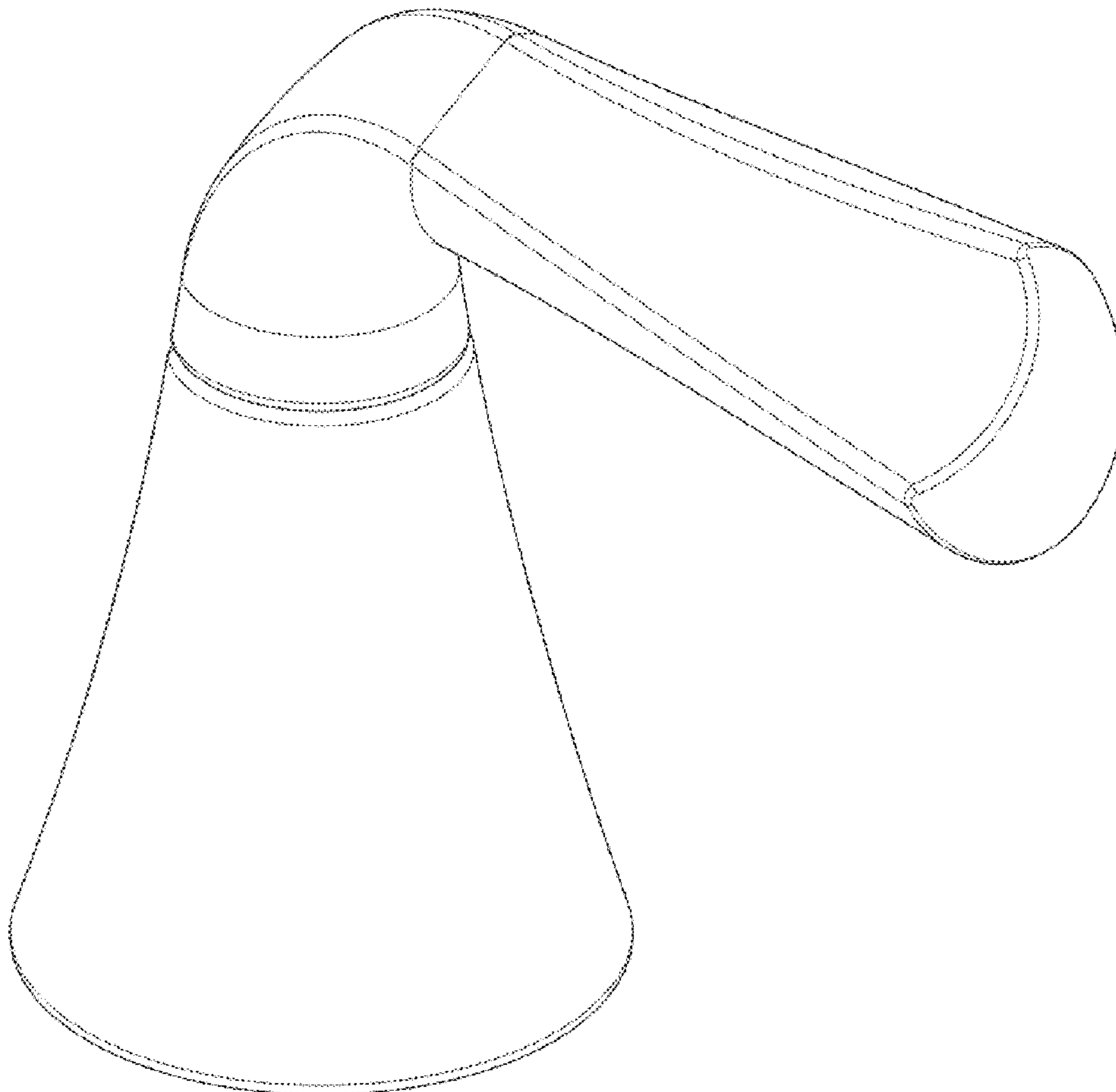
FIG. 1 is a front perspective view of a faucet handle showing
my new design;
FIG. 2 is a rear perspective view thereof;
FIG. 3 is a front elevational view thereof;
FIG. 4 is a left side view thereof;
FIG. 5 is a rear view thereof;
FIG. 6 is a right side view thereof;
FIG. 7 is a top plan view thereof; and,
FIG. 8 is a bottom view thereof.

(56) **References Cited**

U.S. PATENT DOCUMENTS

D823,991 S * 7/2018 Schaubach D23/242
D878,523 S * 3/2020 Lazarini D23/252

1 Claim, 4 Drawing Sheets



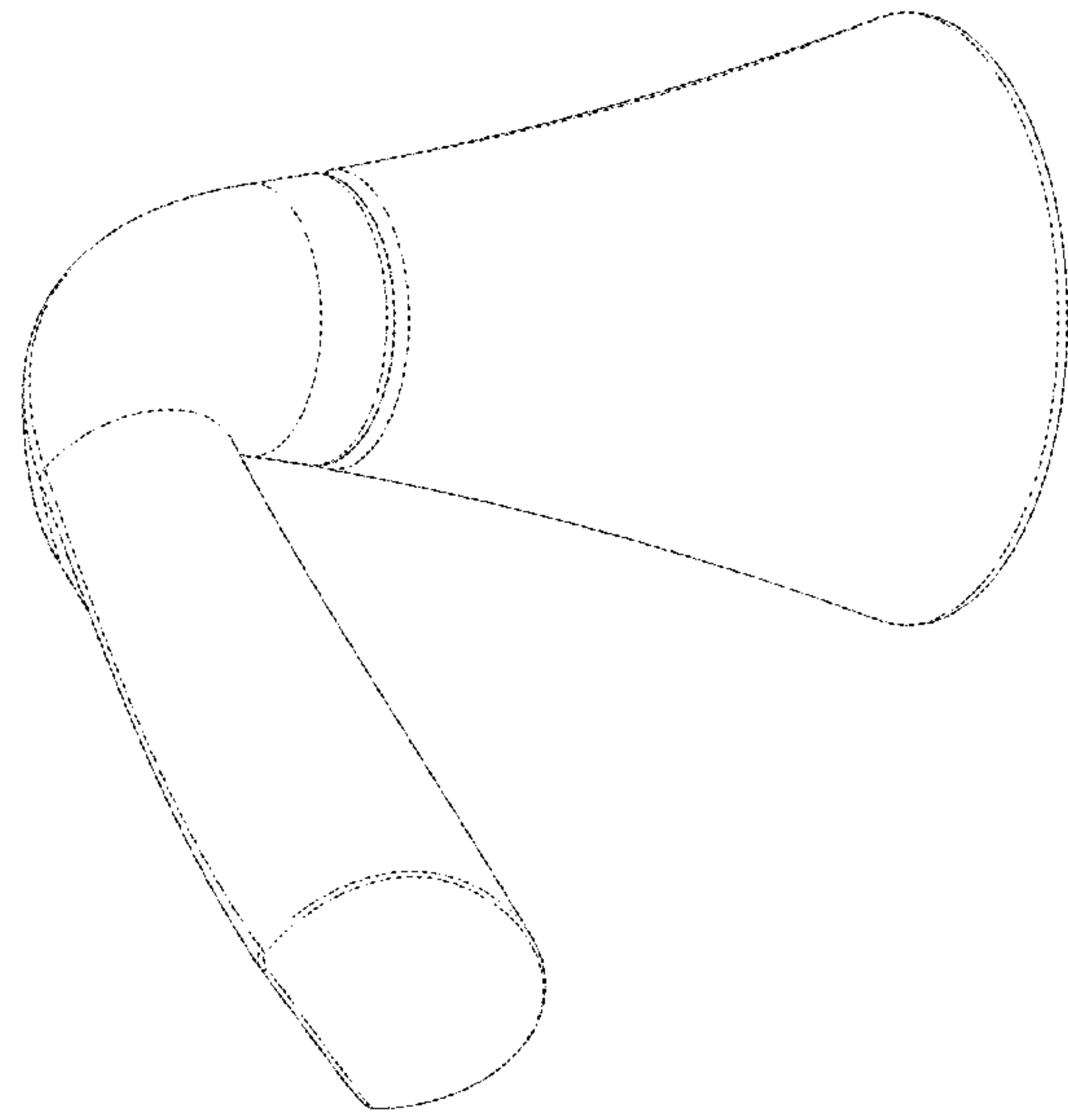


FIG - 2

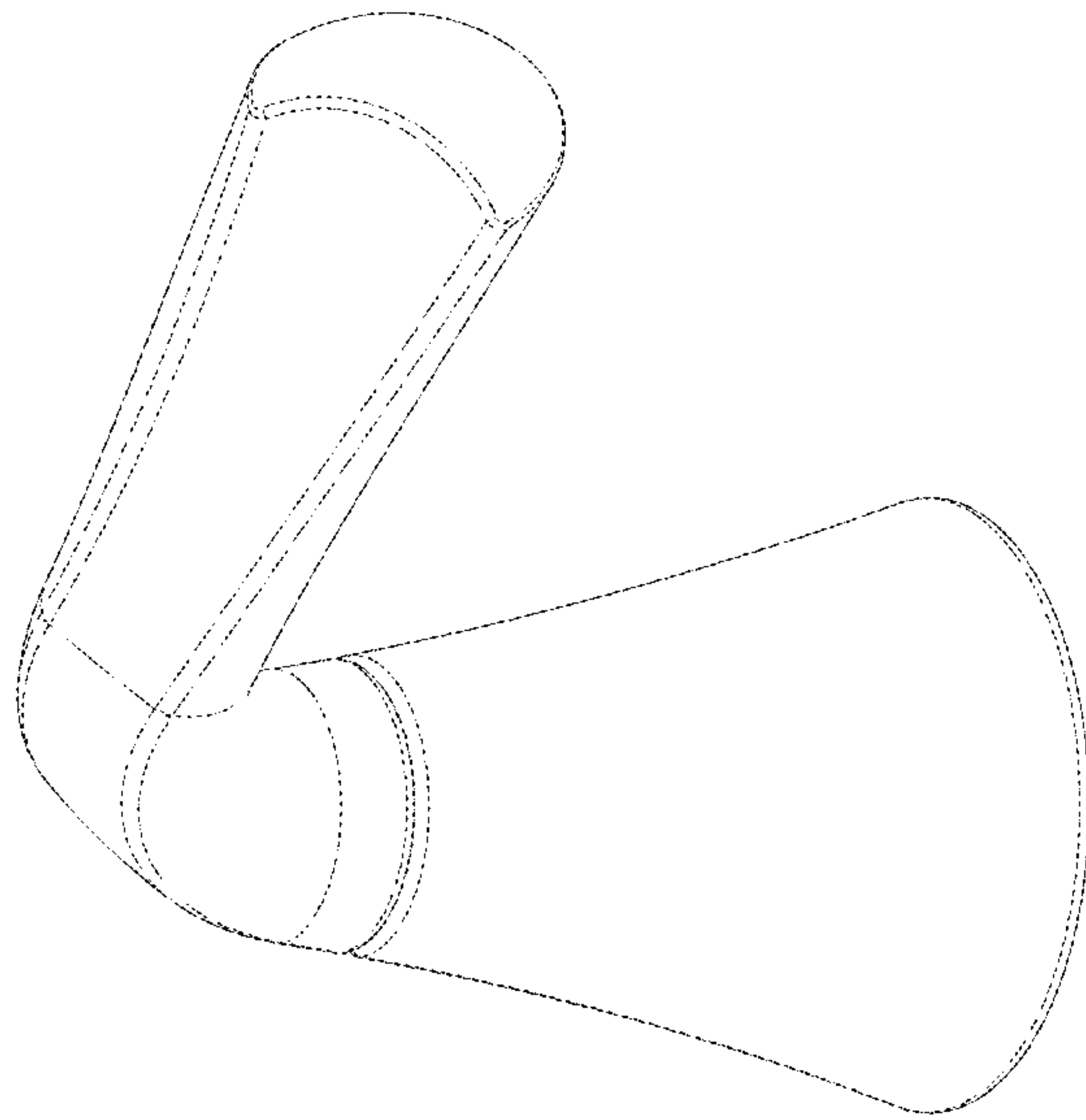


FIG - 1

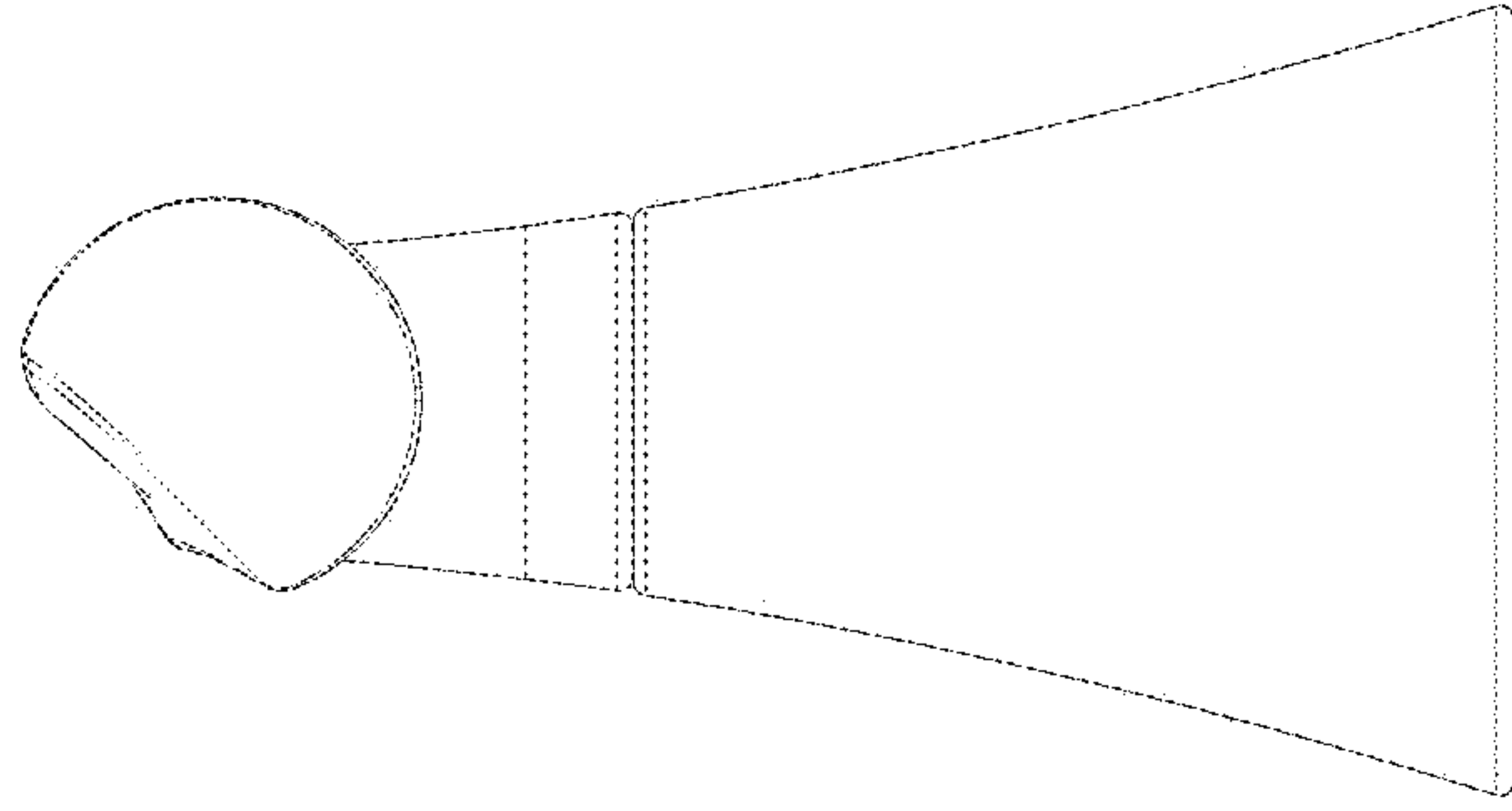


FIG - 4

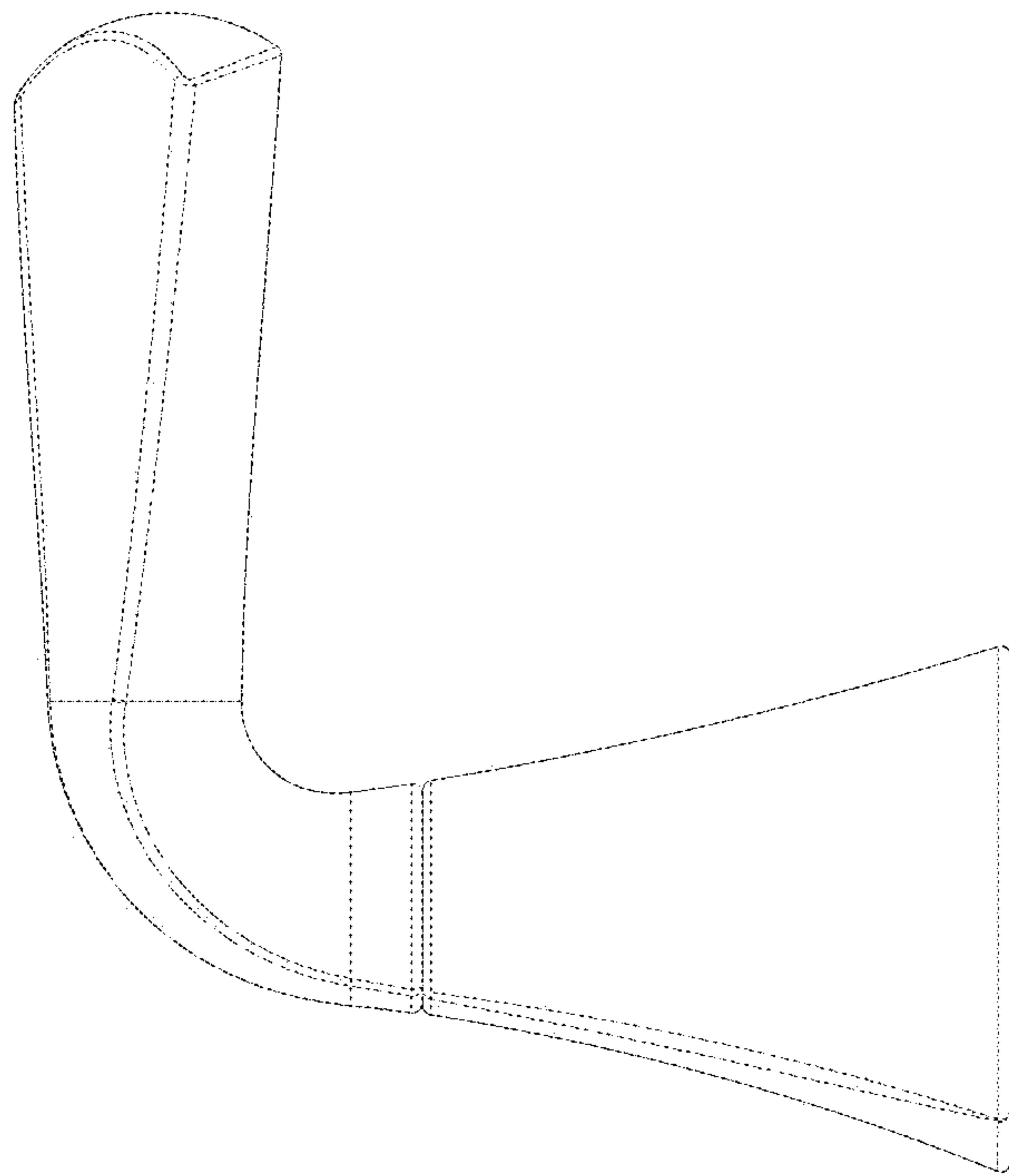


FIG - 3

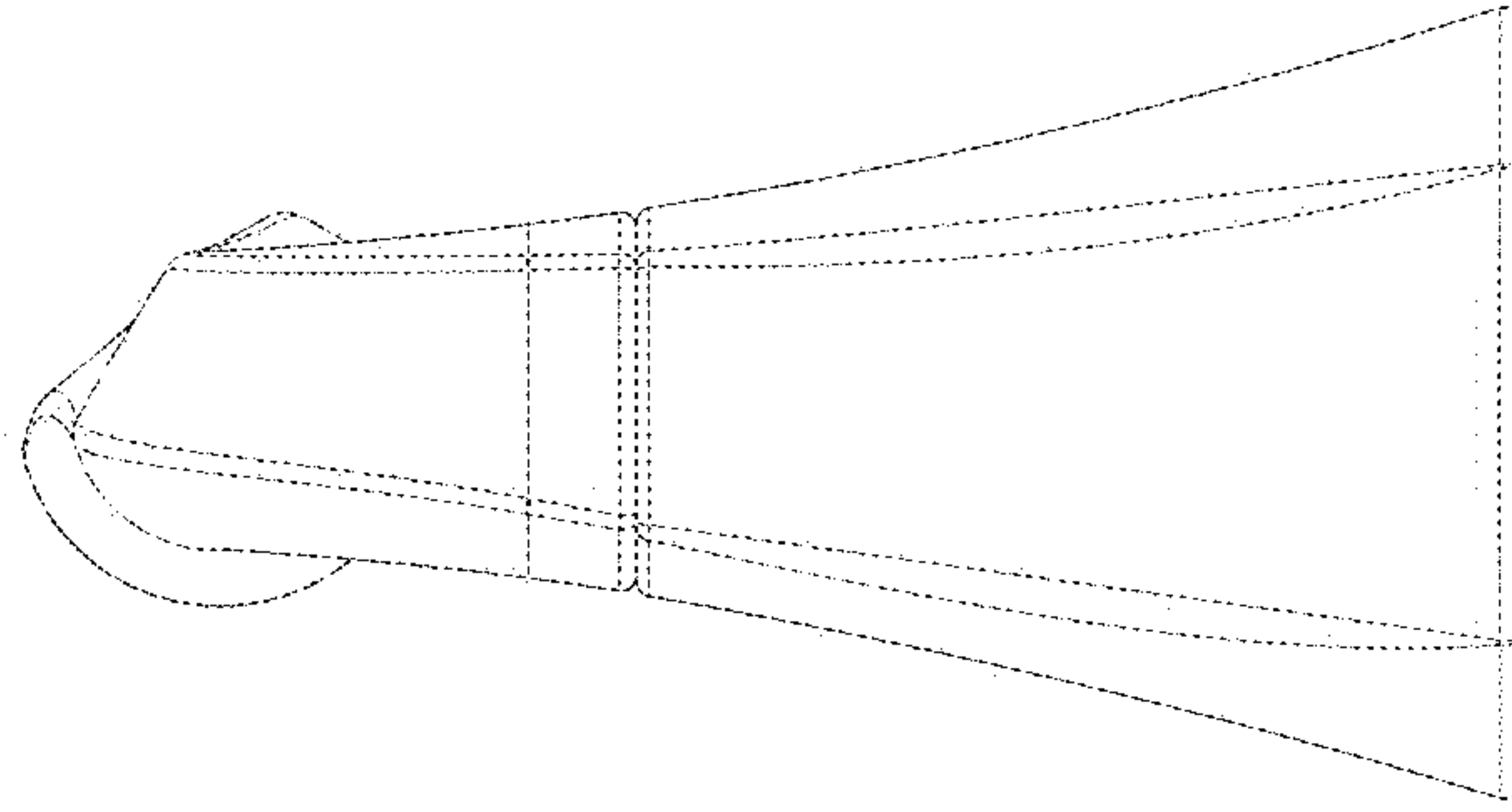


FIG - 6

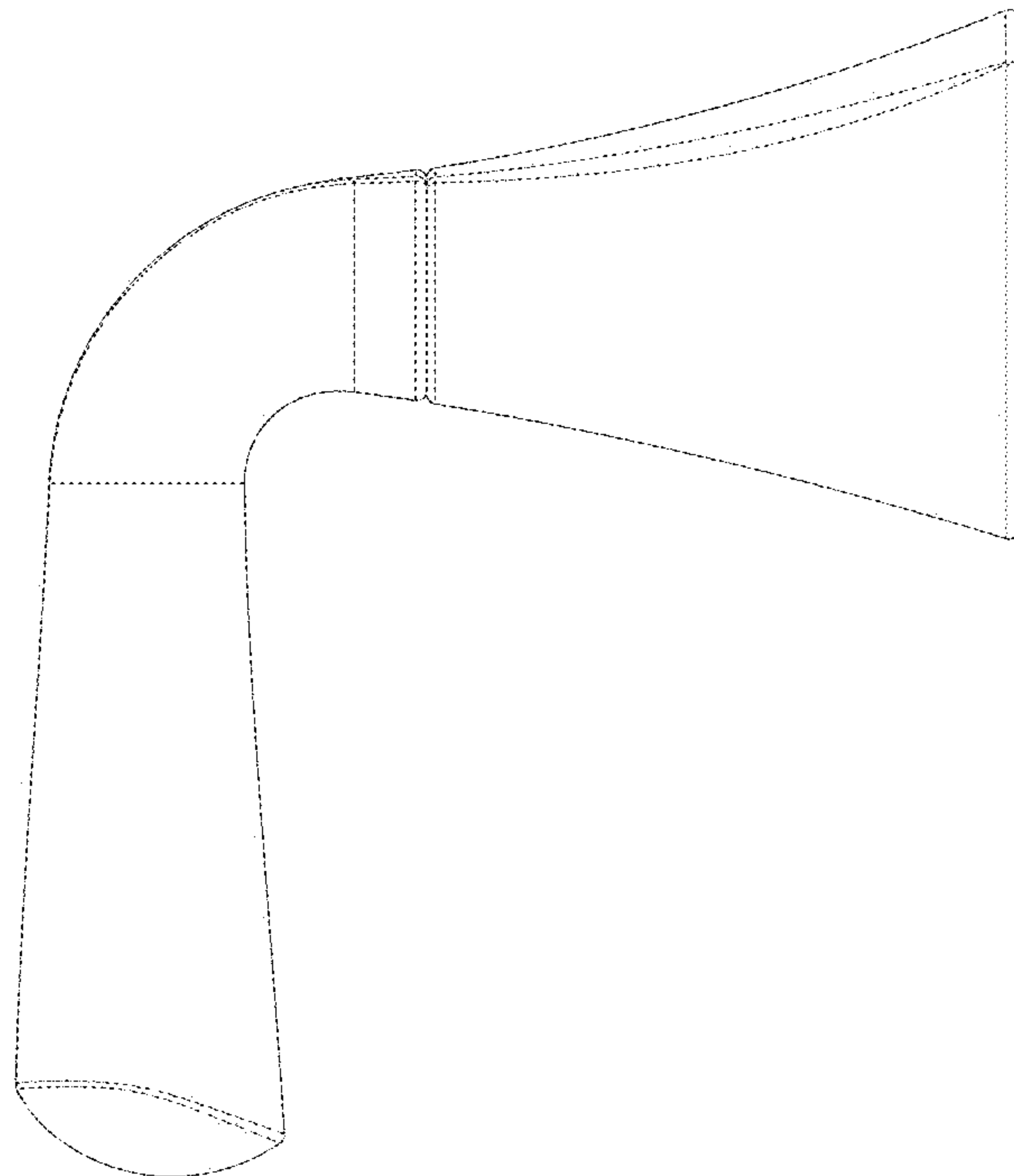


FIG - 5

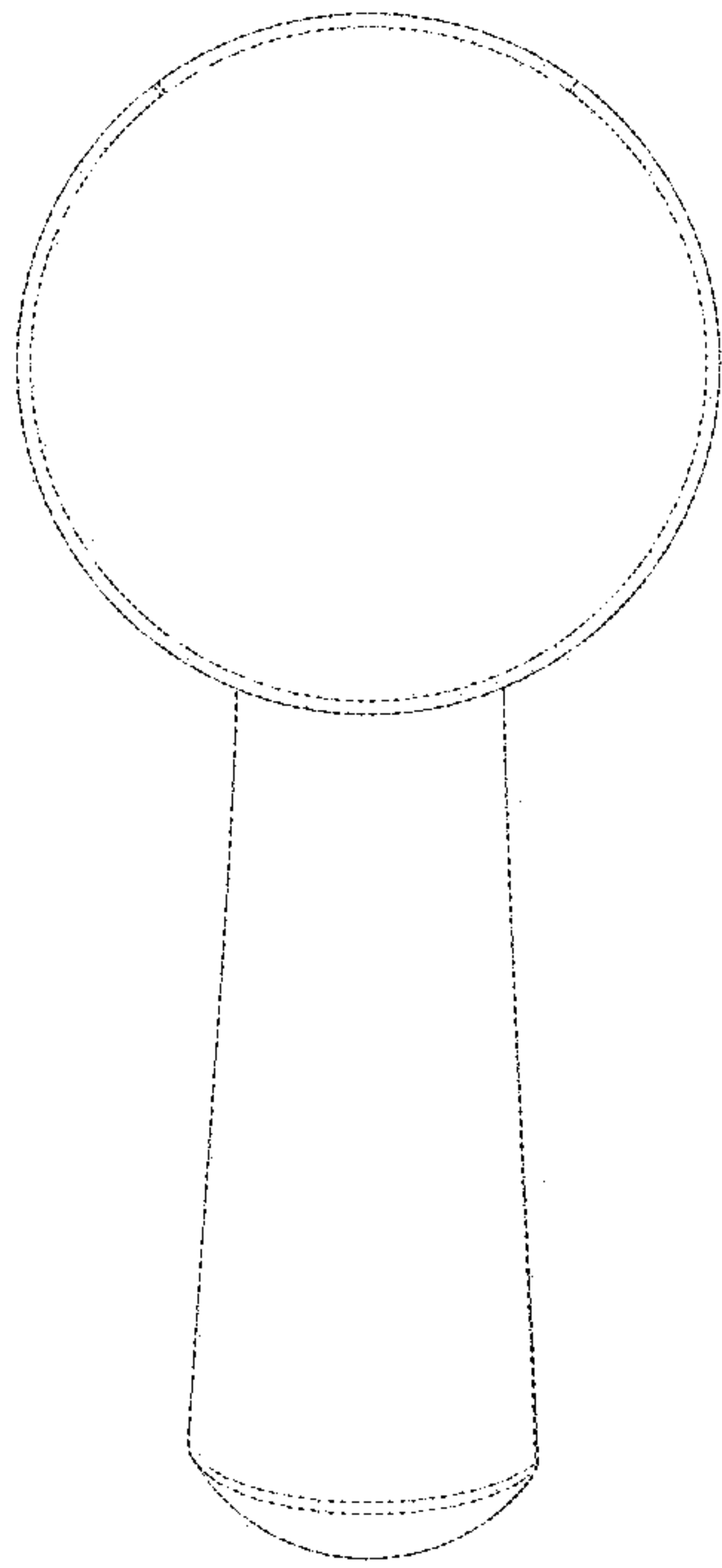


FIG - 8

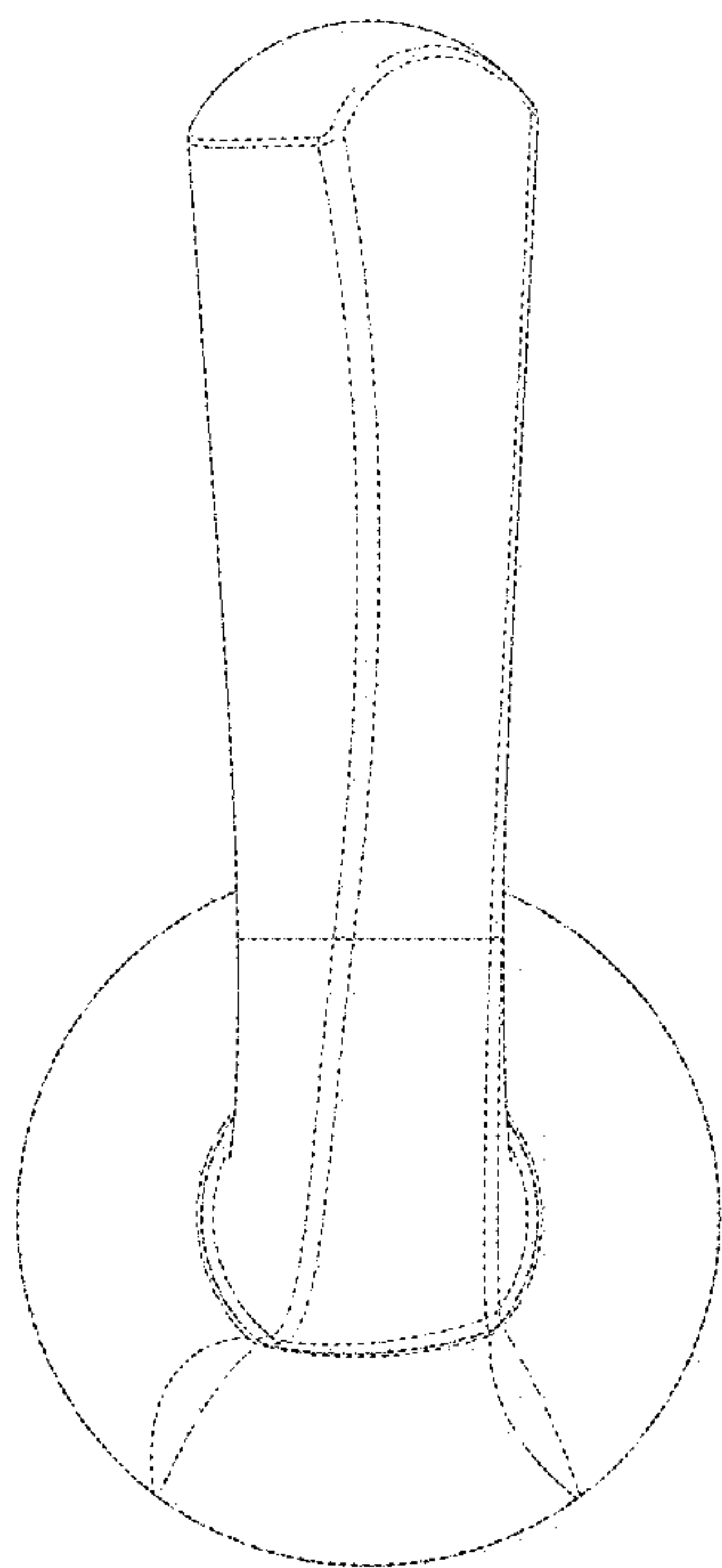


FIG - 7