



US00D947999S

(12) **United States Design Patent** (10) **Patent No.:** **US D947,999 S**  
**Smith** (45) **Date of Patent:** **\*\* Apr. 5, 2022**

(54) **FAUCET HANDLE**  
(71) Applicant: **DELTA FAUCET COMPANY**,  
Indianapolis, IN (US)  
(72) Inventor: **Logan Smith**, Louisville, KY (US)  
(73) Assignee: **DELTA FAUCET COMPANY**,  
Indianapolis, IN (US)  
(\*\*) Term: **15 Years**  
(21) Appl. No.: **29/726,712**  
(22) Filed: **Mar. 5, 2020**  
(51) **LOC (13) Cl.** ..... **23-01**  
(52) **U.S. Cl.**  
USPC ..... **D23/252**  
(58) **Field of Classification Search**  
USPC ..... D23/238–243, 249, 250, 252, 254, 255,  
D23/257, 245, 309; D8/300, 307, 308;  
D7/394, 622, 395, 398  
CPC ..... Y10T 137/9464; E03C 1/00; E03C 1/02;  
E03C 1/04; E03C 1/0412; E03C 1/042;  
E03C 1/044; E03C 1/048; E03C 1/05  
See application file for complete search history.

D797,894 S \* 9/2017 Fritz ..... D23/252  
D800,267 S \* 10/2017 Fritz ..... D23/252  
D823,991 S \* 7/2018 Schaubach ..... D23/242  
D860,404 S \* 9/2019 Judge ..... D23/252

**FOREIGN PATENT DOCUMENTS**

CA 94193 \* 12/2001

**OTHER PUBLICATIONS**

Architonic, Zedra Single-lever sink mixer 1/2" by Grohe, launched 2013, [online], [visited Aug. 13, 2021], Internet, <URL: https://www.architonic.com/en/product/grohe-zedra-single-lever-sink-mixer-1-2/1434062> (Year: 2013).\*

\* cited by examiner

*Primary Examiner* — Sheryl Lane  
*Assistant Examiner* — Samantha N Wood  
(74) *Attorney, Agent, or Firm* — Nirav D. Parikh; Edgar A. Zarins

(57) **CLAIM**

The ornamental design for a faucet handle, as shown and described.

**DESCRIPTION**

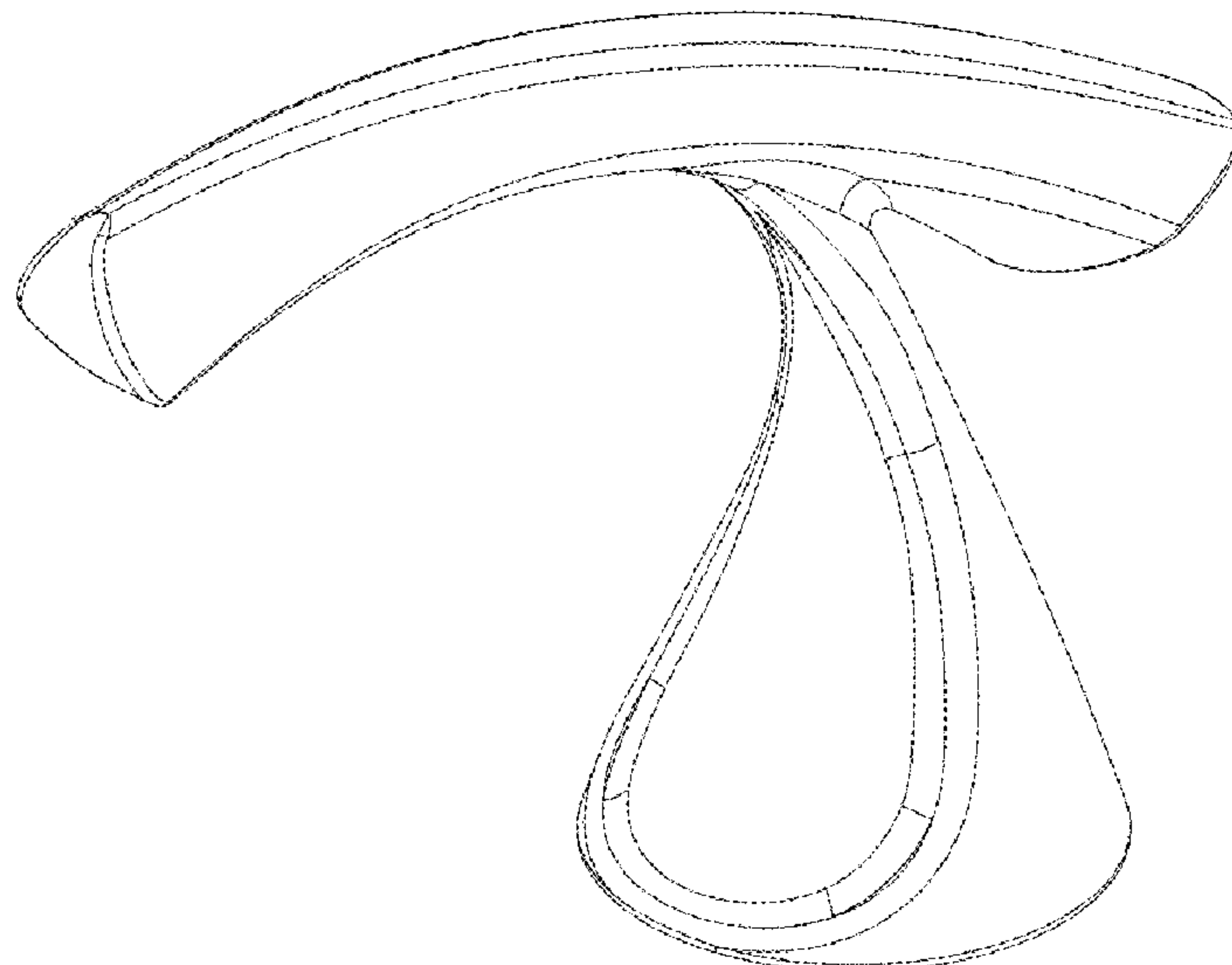
FIG. 1 is a front perspective view of a faucet handle showing my new design;  
FIG. 2 is a rear perspective view thereof;  
FIG. 3 is a front elevational view thereof;  
FIG. 4 is a left side view thereof;  
FIG. 5 is a rear view thereof;  
FIG. 6 is a right side view thereof;  
FIG. 7 is a top plan view thereof; and,  
FIG. 8 is a bottom view thereof.  
The broken lines are included for the purpose of illustrating portions of the article and form no part of the claimed design.

**1 Claim, 4 Drawing Sheets**

(56) **References Cited**

**U.S. PATENT DOCUMENTS**

D260,478 S \* 9/1981 Belaiche ..... D8/307  
D290,577 S \* 6/1987 Belaiche ..... D8/305  
D338,518 S \* 8/1993 Reid ..... D23/252  
D438,937 S \* 3/2001 Tolosa ..... D23/252  
D476,721 S \* 7/2003 Ouyoung ..... D23/242  
D505,187 S \* 5/2005 Fickas ..... D23/252  
D505,995 S \* 6/2005 Kulig ..... D23/252  
D591,835 S \* 5/2009 Williams ..... D23/252  
D624,990 S \* 10/2010 Joerger ..... D23/242  
D658,437 S \* 5/2012 Johnson ..... D7/398  
D666,698 S \* 9/2012 Liao ..... D23/252  
D676,936 S \* 2/2013 Kwok ..... D23/252  
D676,937 S \* 2/2013 Romero ..... D23/252  
D722,138 S \* 2/2015 McNinch ..... D23/252



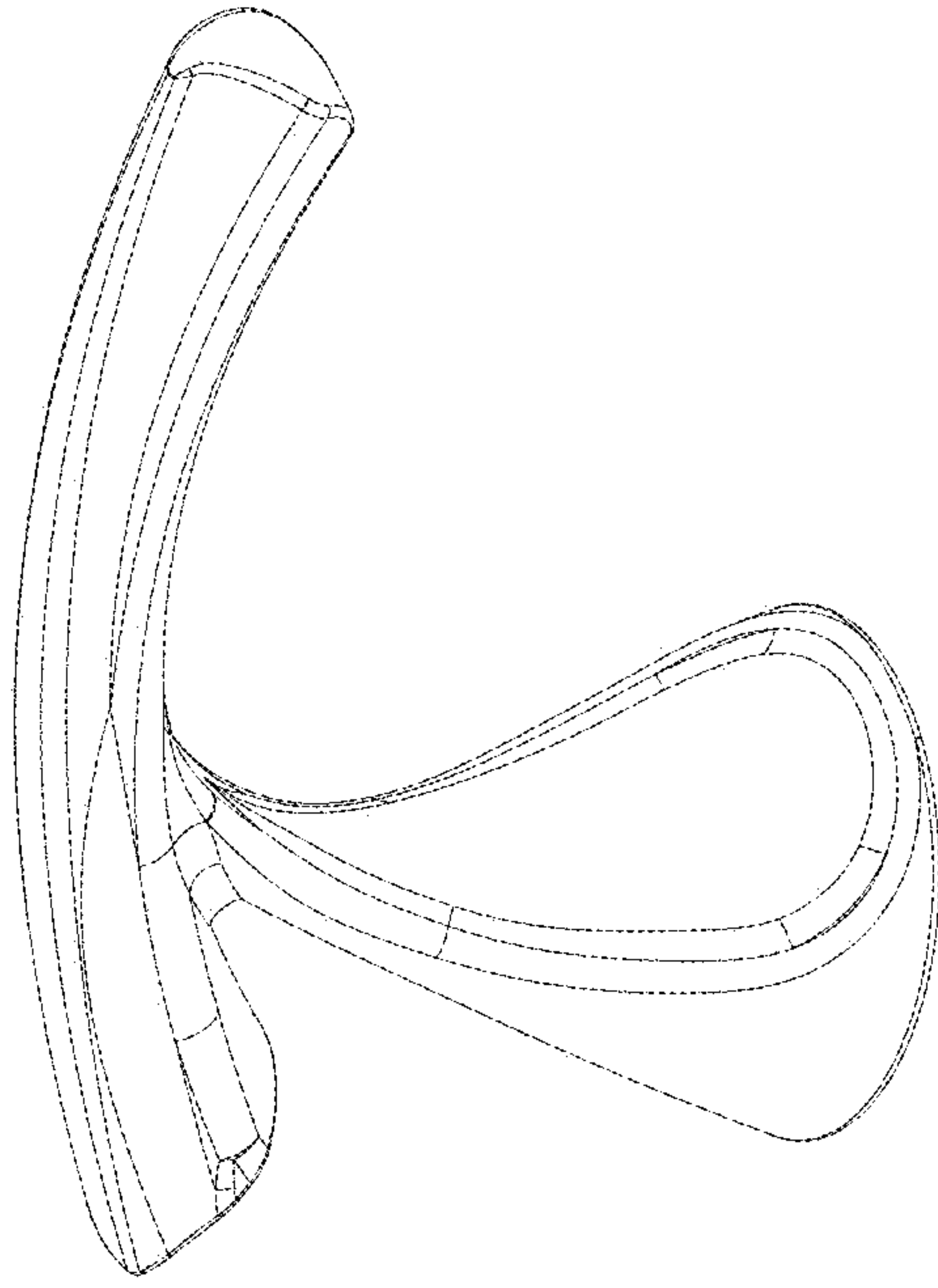


FIG-2

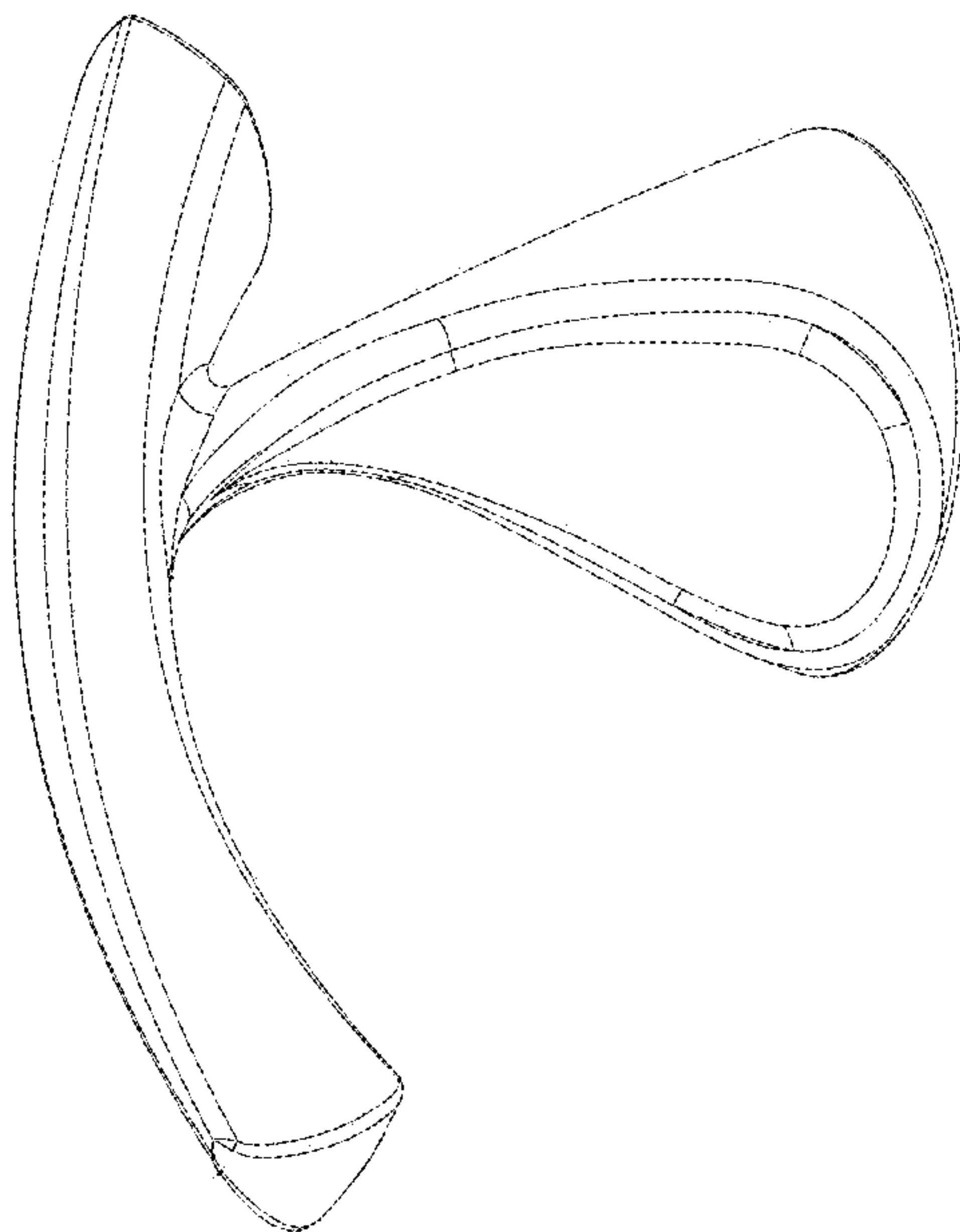


Fig-1

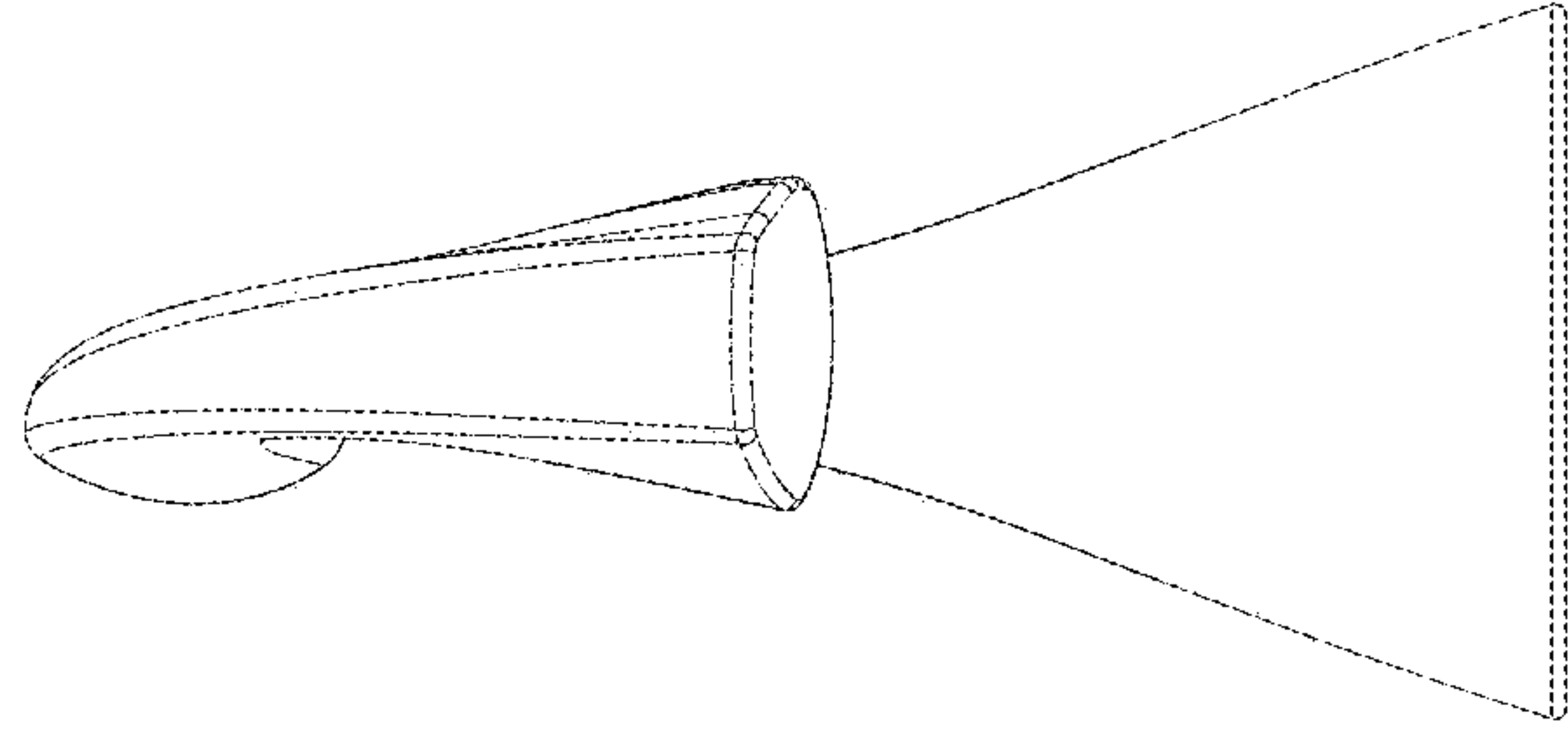


FIG - 4

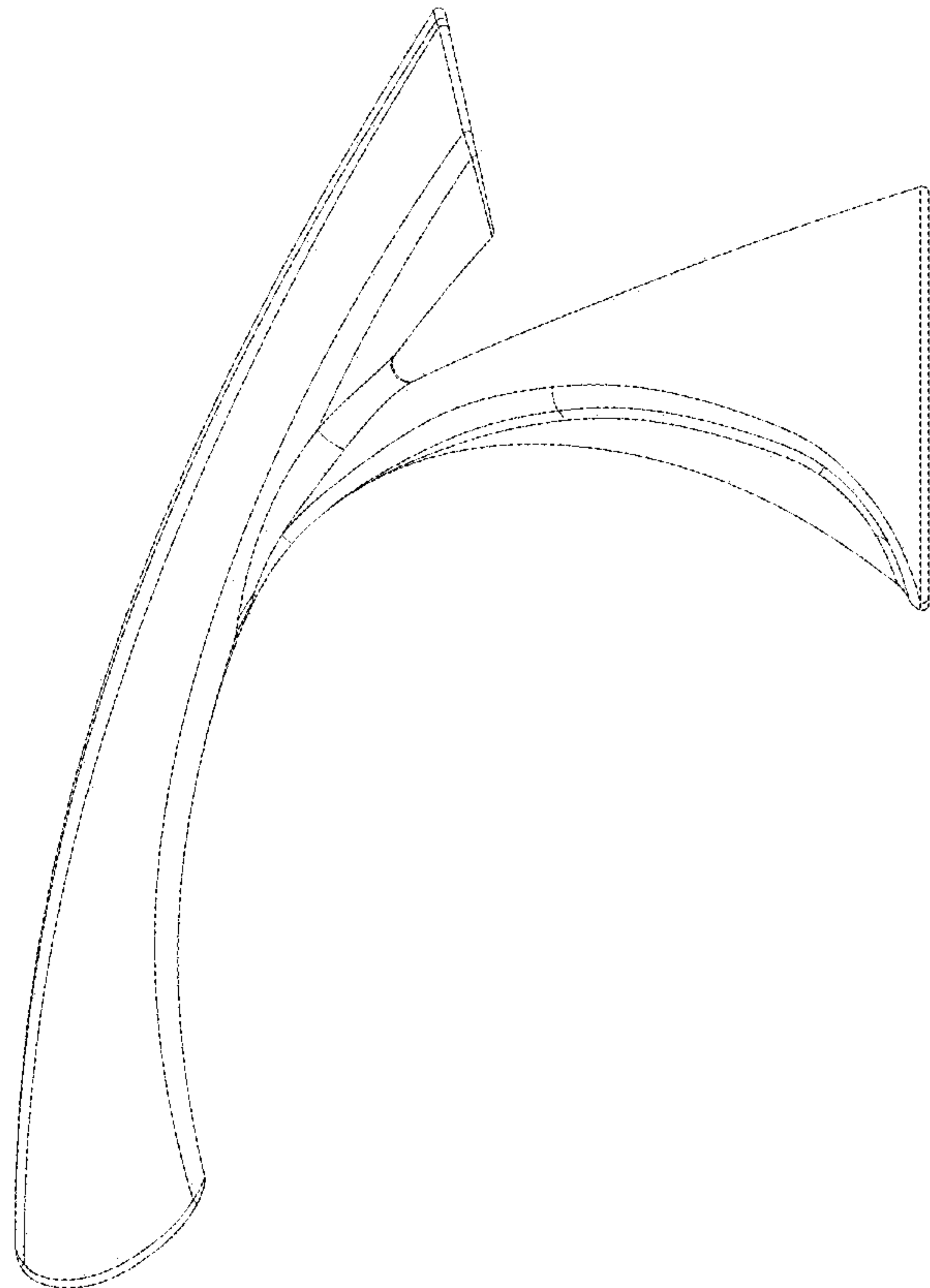


FIG - 3

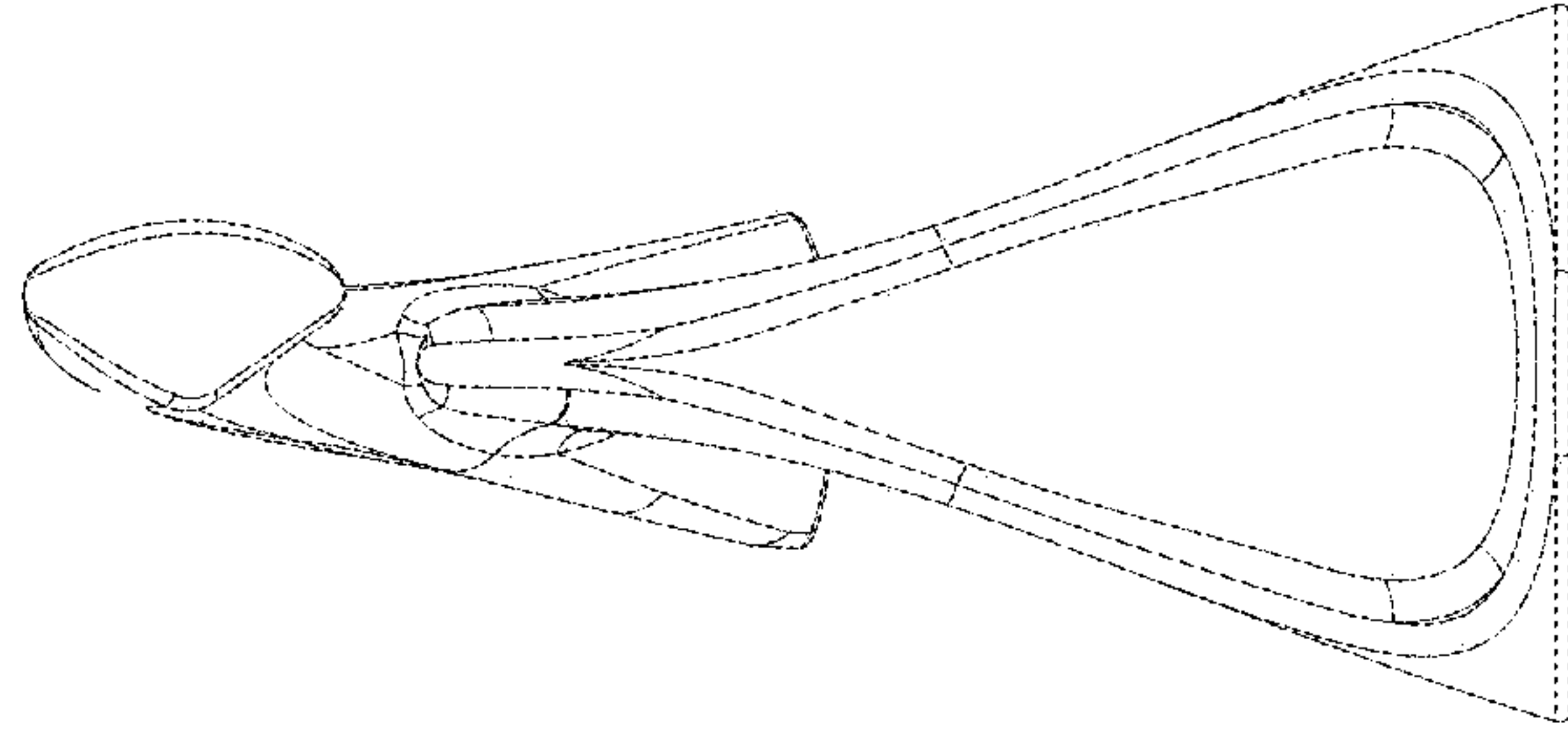


FIG-6

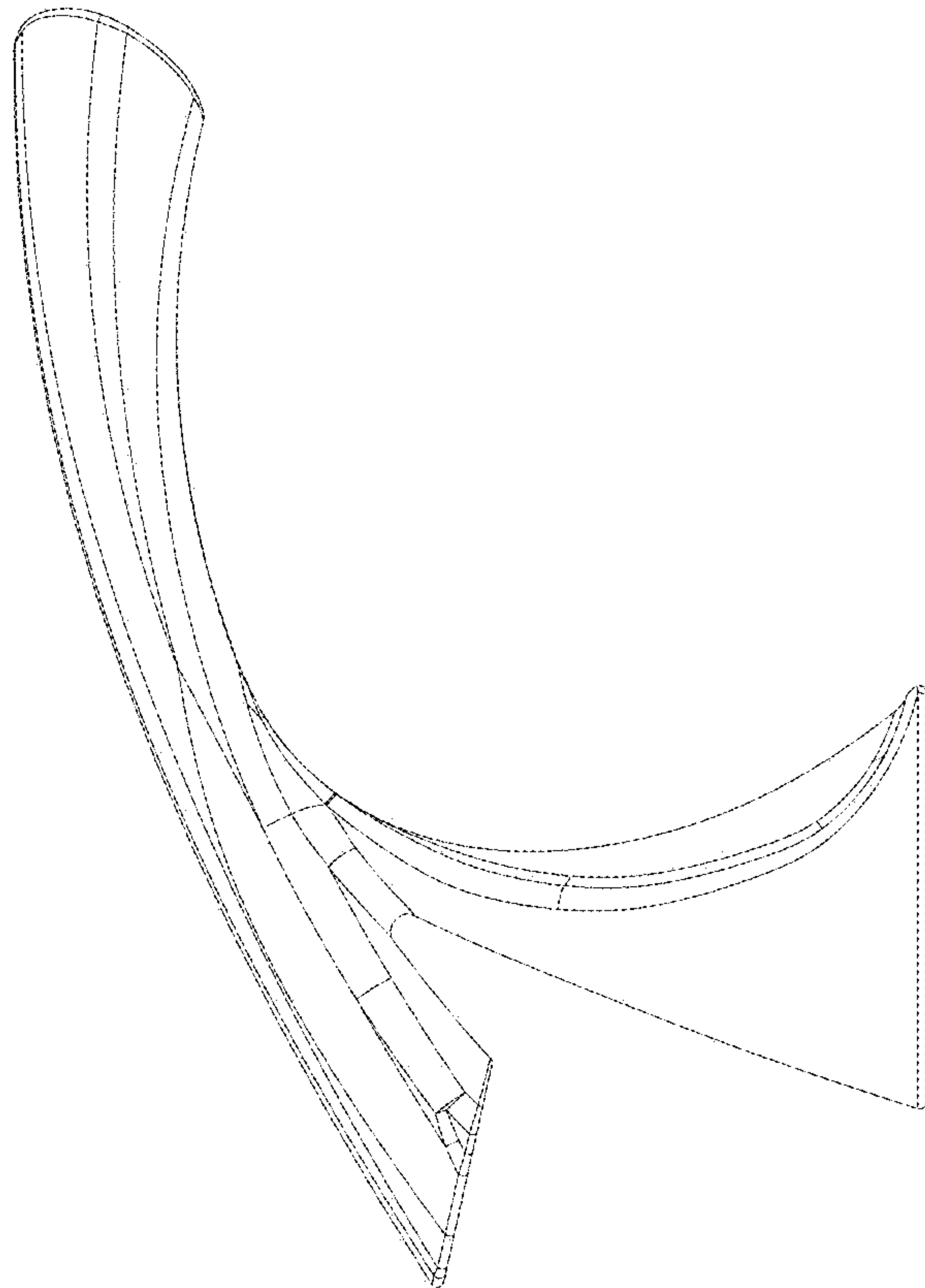


FIG-5

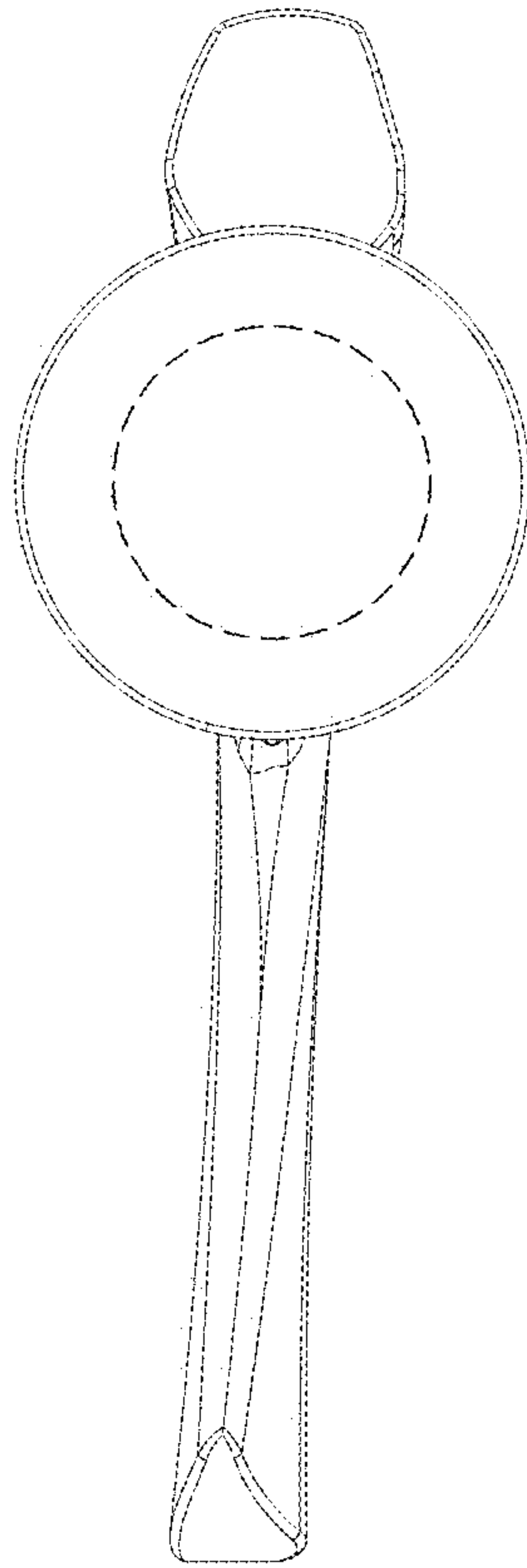


FIG-8

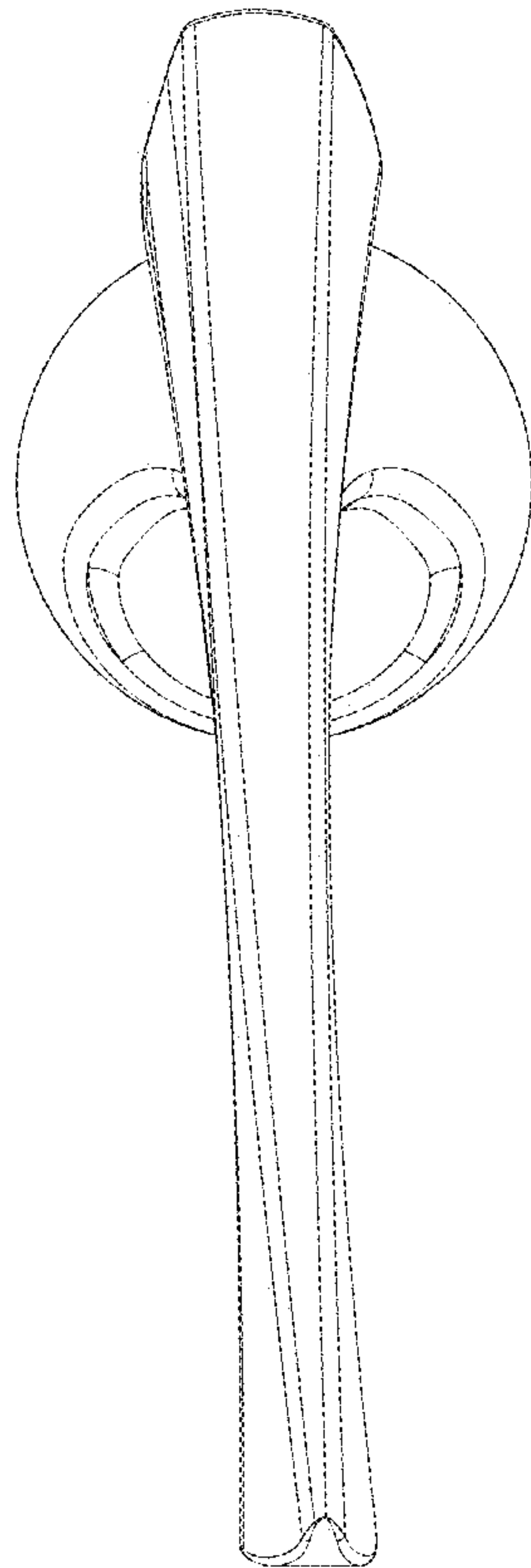


FIG-7