



US00D947997S

(12) **United States Design Patent** (10) **Patent No.:** **US D947,997 S**  
**Goetzen et al.** (45) **Date of Patent:** **\*\* Apr. 5, 2022**

(54) **FAUCET**

D694,859 S \* 12/2013 Lammel ..... D23/238  
D797,898 S \* 9/2017 Bennett ..... D23/255  
D812,193 S \* 3/2018 Seum ..... D23/238

(Continued)

(71) Applicant: **Grohe AG**, Hemer (DE)

(72) Inventors: **Mirko Goetzen**, Duesseldorf (DE);  
**Patrick de Arins Speck**, London (GB)

FOREIGN PATENT DOCUMENTS

(73) Assignee: **Grohe AG**, Hemer (DE)

CN 201630367465 \* 8/2016  
CN 201730404292 \* 8/2017

(\*\*) Term: **15 Years**

OTHER PUBLICATIONS

(21) Appl. No.: **29/741,738**

Amazon, Kelelife Bathroom Counter Basin Mixer with tall spout, posted May 19, 2019, [online], [visited Dec. 16, 2021]. Internet, <URL: <https://www.amazon.co.uk/Kelelife-Bathroom-Counter-Polished-Chrome/dp/B07S2QS2TP/ref>> (Year: 2019).\*

(22) Filed: **Jul. 15, 2020**

(Continued)

(30) **Foreign Application Priority Data**

Jan. 15, 2020 (EM) ..... 007515747-0002

(51) **LOC (13) Cl.** ..... **23-01**

(52) **U.S. Cl.**

USPC ..... **D23/238**

(58) **Field of Classification Search**

USPC ..... D23/257, 249, 254, 259, 255, 233, 234,  
D23/235, 236, 237, 238, 240, 241, 242,  
D23/243, 244, 245, 246, 247, 248, 250,  
D23/251, 252, 253, 256

CPC ..... E03C 1/01; E03C 1/0409; E03C 1/025;  
E03C 1/0408; E03C 1/04; E03C 1/0401;  
E03C 1/0402; E03C 1/0405; E03C  
1/0412; Y10T 137/5339; Y10T 137/6014;  
Y10T 137/6021

See application file for complete search history.

*Primary Examiner* — Samantha Wood

(74) *Attorney, Agent, or Firm* — Muncy, Geissler, Olds & Lowe, P.C.

(57) **CLAIM**

The ornamental design for a faucet, as shown and described.

**DESCRIPTION**

FIG. 1 is a front perspective view of a faucet according to the present invention.

FIG. 2 is a front view of the faucet of FIG. 1.

FIG. 3 is a rear view of the faucet of FIG. 1.

FIG. 4 is a left side view of the faucet of FIG. 1.

FIG. 5 is a right side view of the faucet of FIG. 1.

FIG. 6 is a top view of the faucet of FIG. 1; and,

FIG. 7 is a bottom view of the faucet of FIG. 1.

The dashed lines illustrate environment that does not form a part of the present invention, and no claim is made to the material illustrated with dashed lines.

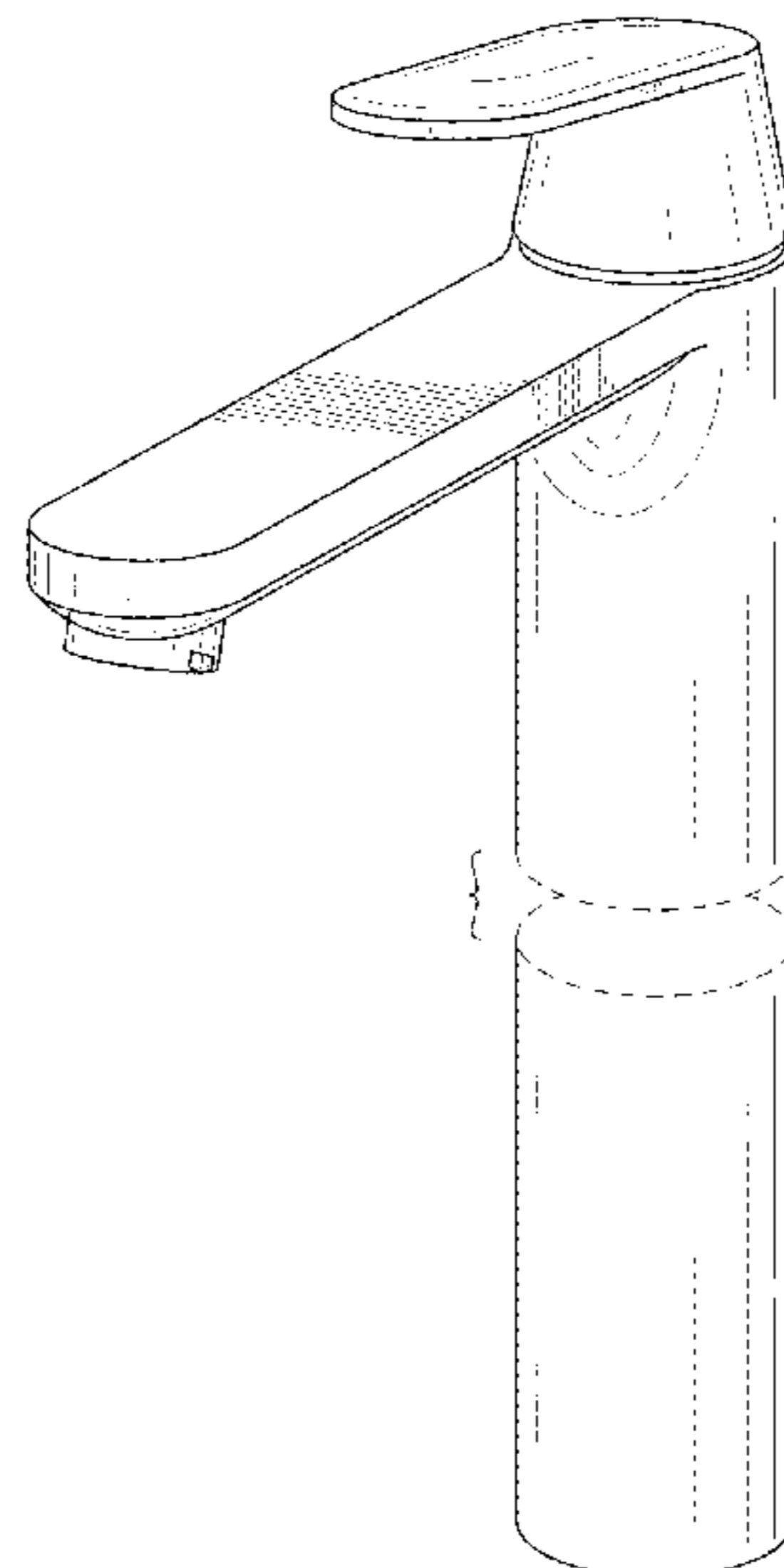
The faucet is shown with symbolic breaks in its length. The appearance of any portion of the article between the break lines forms no part of the claimed design.

**1 Claim, 7 Drawing Sheets**

(56) **References Cited**

U.S. PATENT DOCUMENTS

D428,472 S \* 7/2000 Fleischmann ..... D23/238  
D529,132 S \* 9/2006 Haug ..... D23/238  
D550,812 S \* 9/2007 Haug ..... D23/238  
D608,863 S \* 1/2010 Pan ..... D23/255  
D643,512 S \* 8/2011 Matsuura ..... D23/238  
D693,904 S \* 11/2013 Hahn ..... D23/238



(56)

**References Cited**

U.S. PATENT DOCUMENTS

D828,509 S \* 9/2018 Seum ..... D23/238  
D828,512 S \* 9/2018 Liu ..... D23/238  
D857,168 S \* 8/2019 Soulier ..... D23/238

OTHER PUBLICATIONS

Amazon, Gricol tall bathroom tap vessel sink tap, posted Nov. 21, 2019, [online], [visited Dec. 16, 2021]. Internet, <URL: <<https://www.amazon.co.uk/Gricol-Bathroom-Vessel-Lavatory-Countertop/dp/B089W8BML1/ref>> (Year: 2019).\*

\* cited by examiner

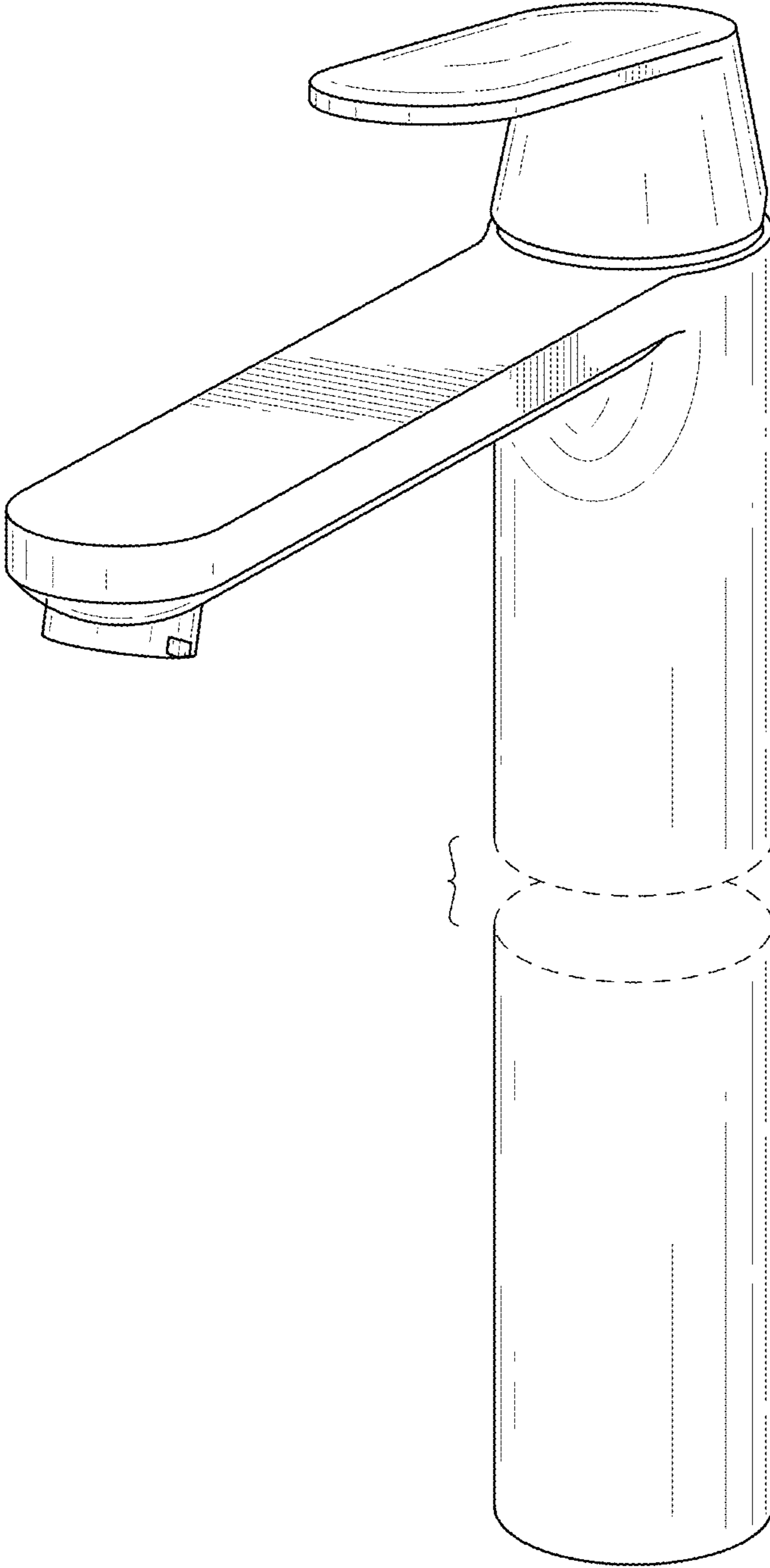


FIG. 1

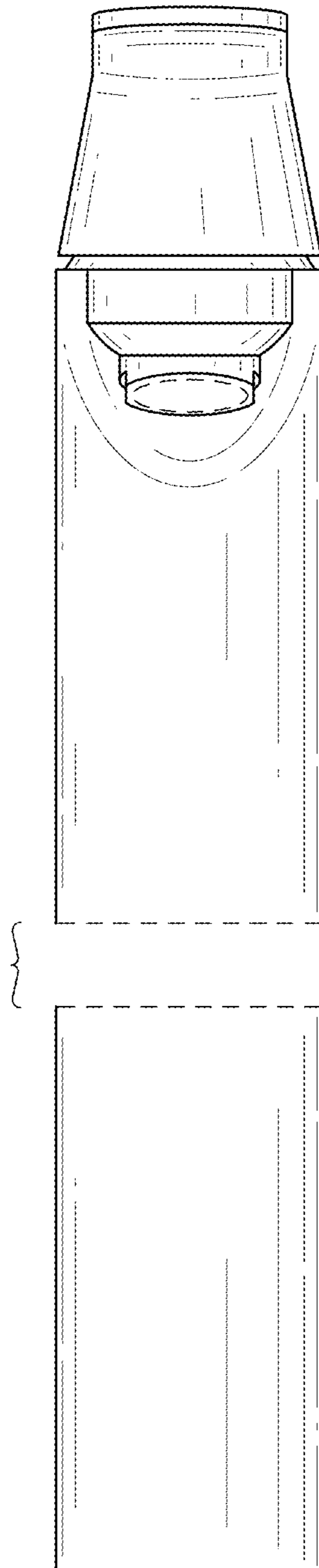


FIG.2

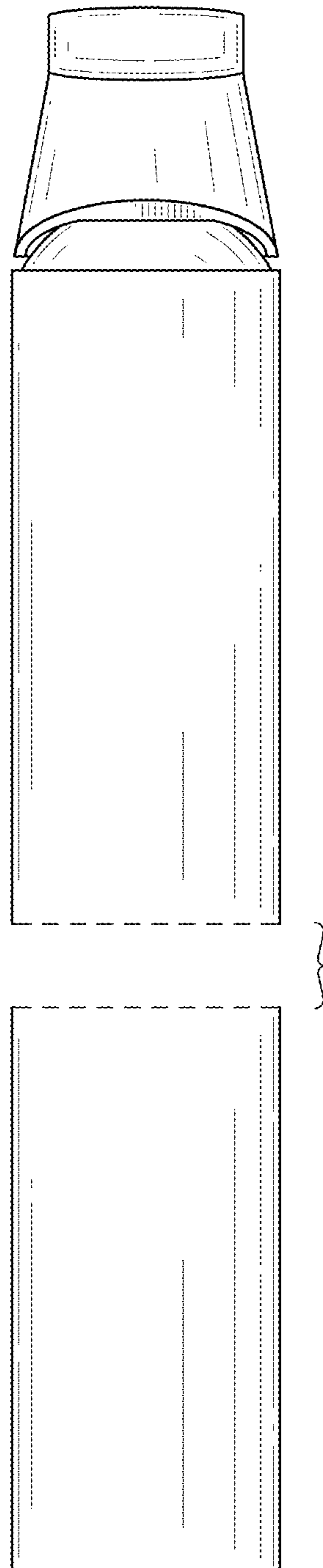


FIG.3

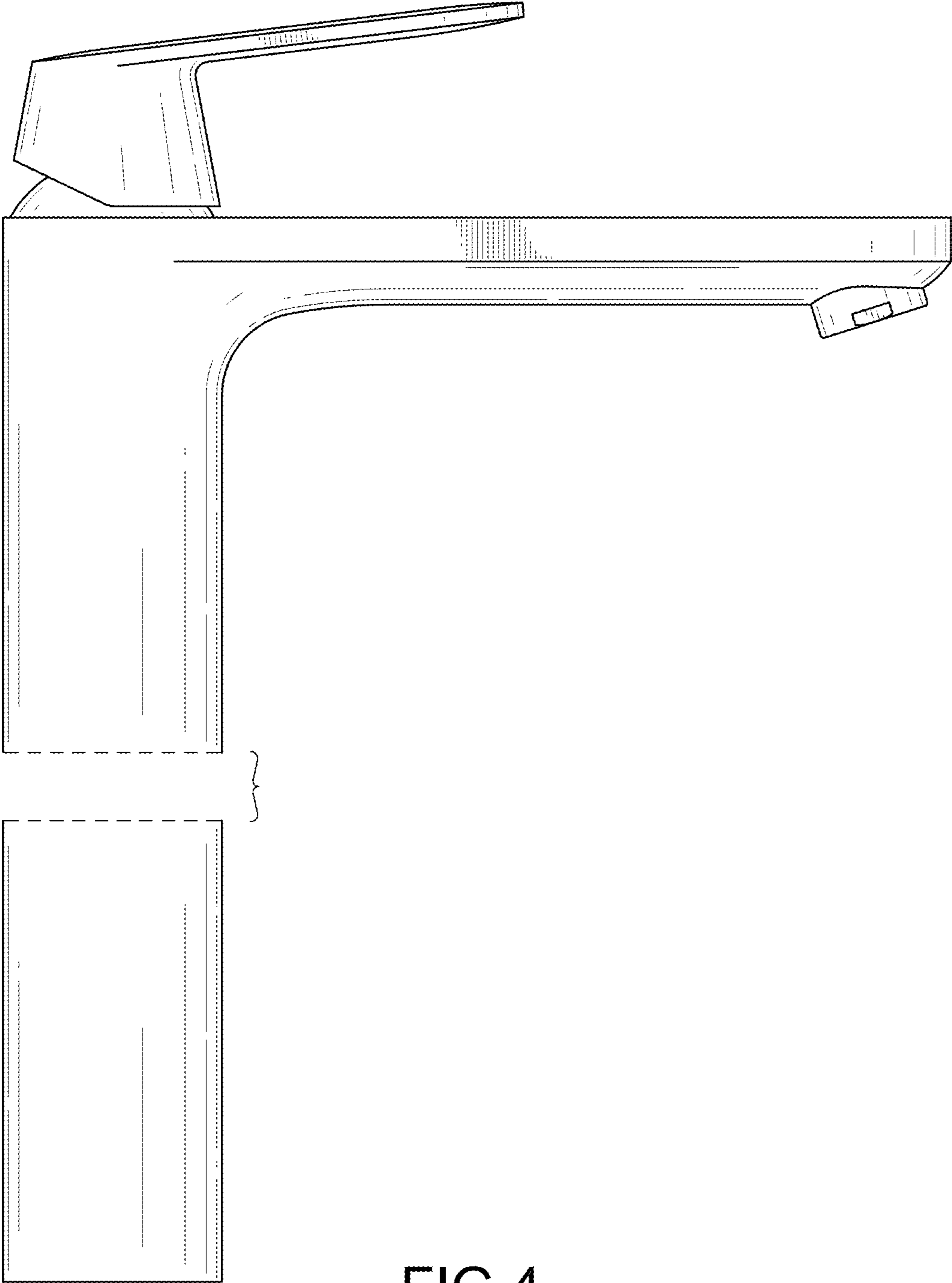


FIG.4

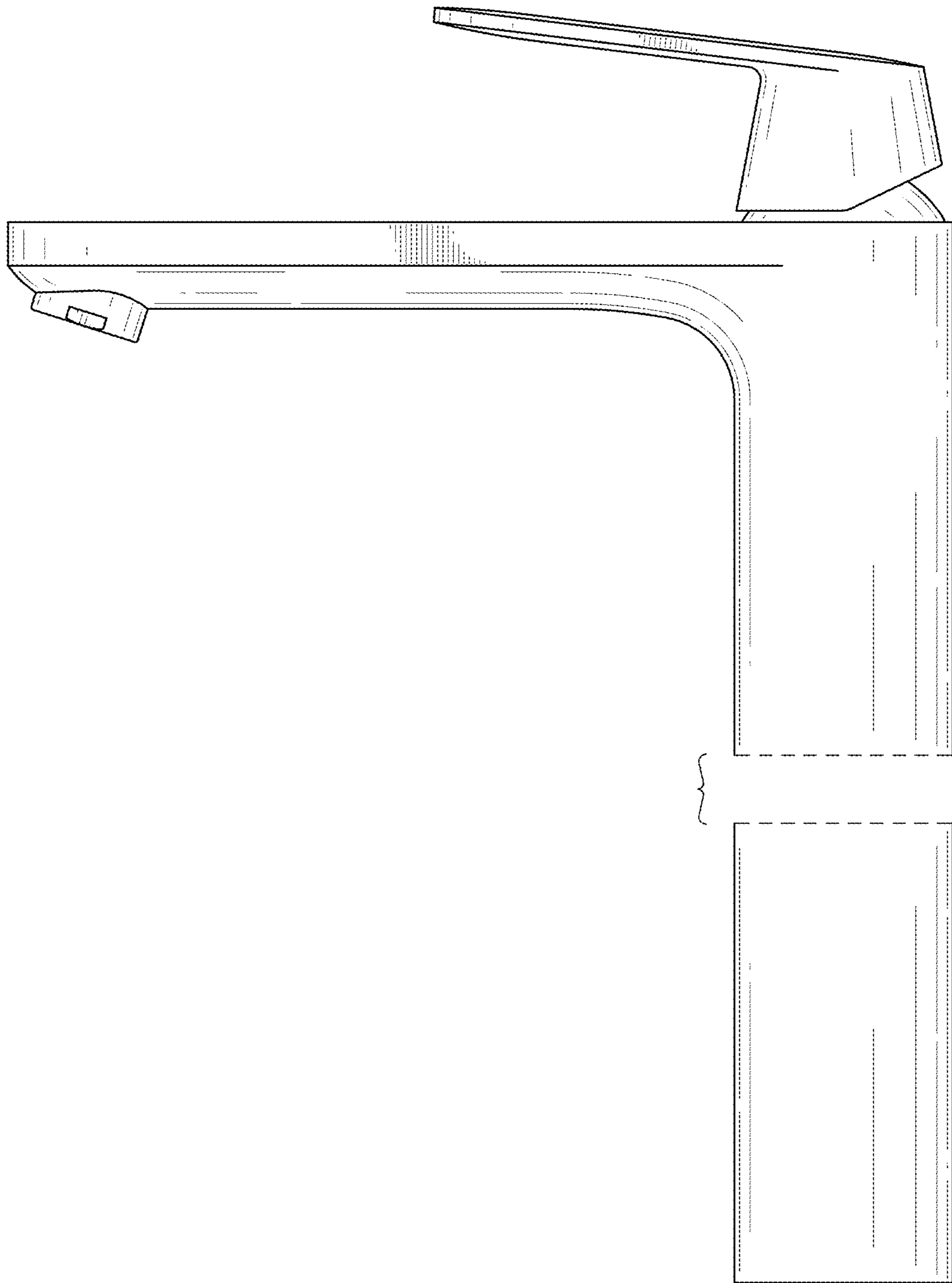


FIG.5

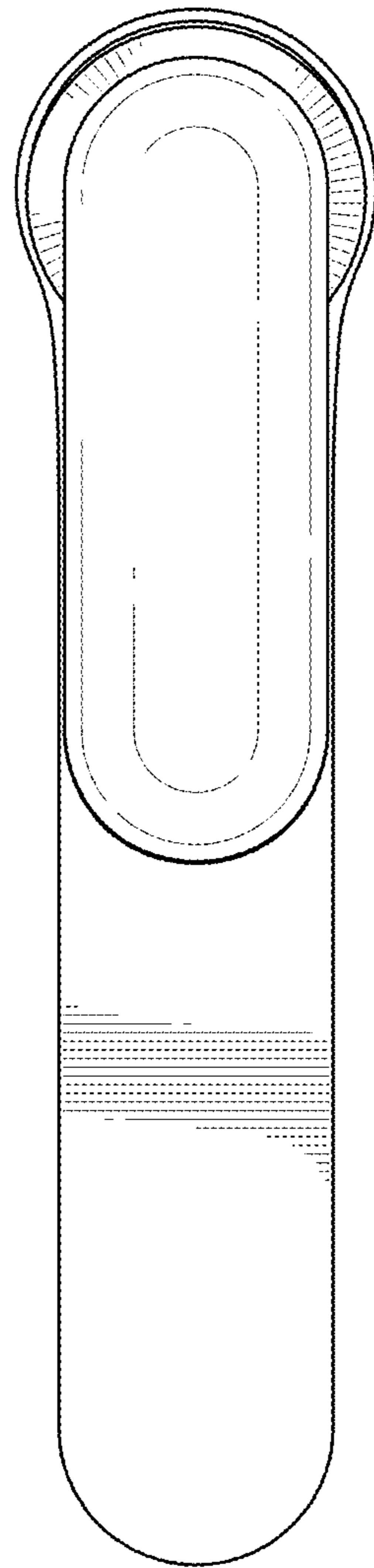


FIG.6



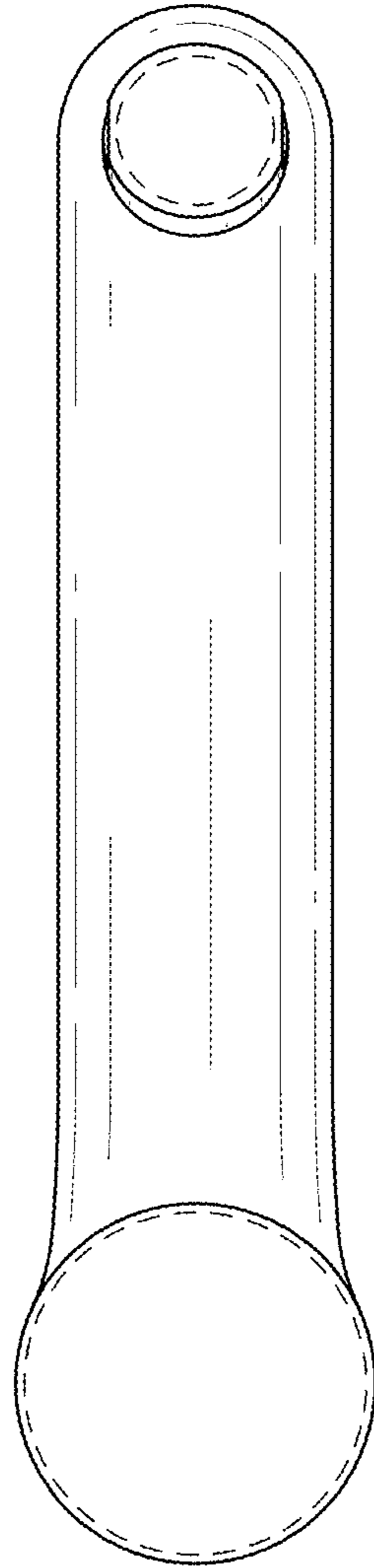


FIG.7