

US00D947995S

(12) **United States Design Patent** (10) **Patent No.:** **US D947,995 S**
Lazarini (45) **Date of Patent:** **** Apr. 5, 2022**

(54) **FAUCET**

FOREIGN PATENT DOCUMENTS

(71) Applicant: **DELTA FAUCET COMPANY,**
Indianapolis, IN (US)

CN 304246355 * 7/2017

(72) Inventor: **Alejandra Lazarini,** Carmel, IN (US)

OTHER PUBLICATIONS

(73) Assignee: **DELTA FAUCET COMPANY,**
Indianapolis, IN (US)

Enzo Rodi Brushed Nickel Bathroom Faucet, announced Feb. 12, 2019[online], [site visited Mar. 11, 2021]. Available from internet, URL:<https://www.amazon.com/ENZO-RODI-Bathroom-Assembly-ERF1393427AP-10/dp/B07NNT6WKY> (Year: 2019).*

(**) Term: **15 Years**

Delta Faucet Modern Single Hole Bathroom Faucet, first available Nov. 4, 2014[online], [site visited Apr. 7, 2021]. Available from internet, URL:<https://www.amazon.com/Delta-Faucet-559LF-PP-inches-Chrome/dp/B00P8A64B6> (Year: 2014).*

(21) Appl. No.: **29/720,219**

(22) Filed: **Jan. 10, 2020**

(51) **LOC (13) Cl.** **23-01**

(52) **U.S. Cl.**
USPC **D23/238**

(58) **Field of Classification Search**
USPC D23/238–244, 252, 254–255, 257
CPC F16K 31/602; F16K 31/605; F16K 31/607;
E03C 1/0412

* cited by examiner

Primary Examiner — Barbara Fox

Assistant Examiner — Jamaal Rasheed

(74) *Attorney, Agent, or Firm* — Nirav D. Parikh; Edgar A. Zarins

See application file for complete search history.

(56) **References Cited**

(57) **CLAIM**

U.S. PATENT DOCUMENTS

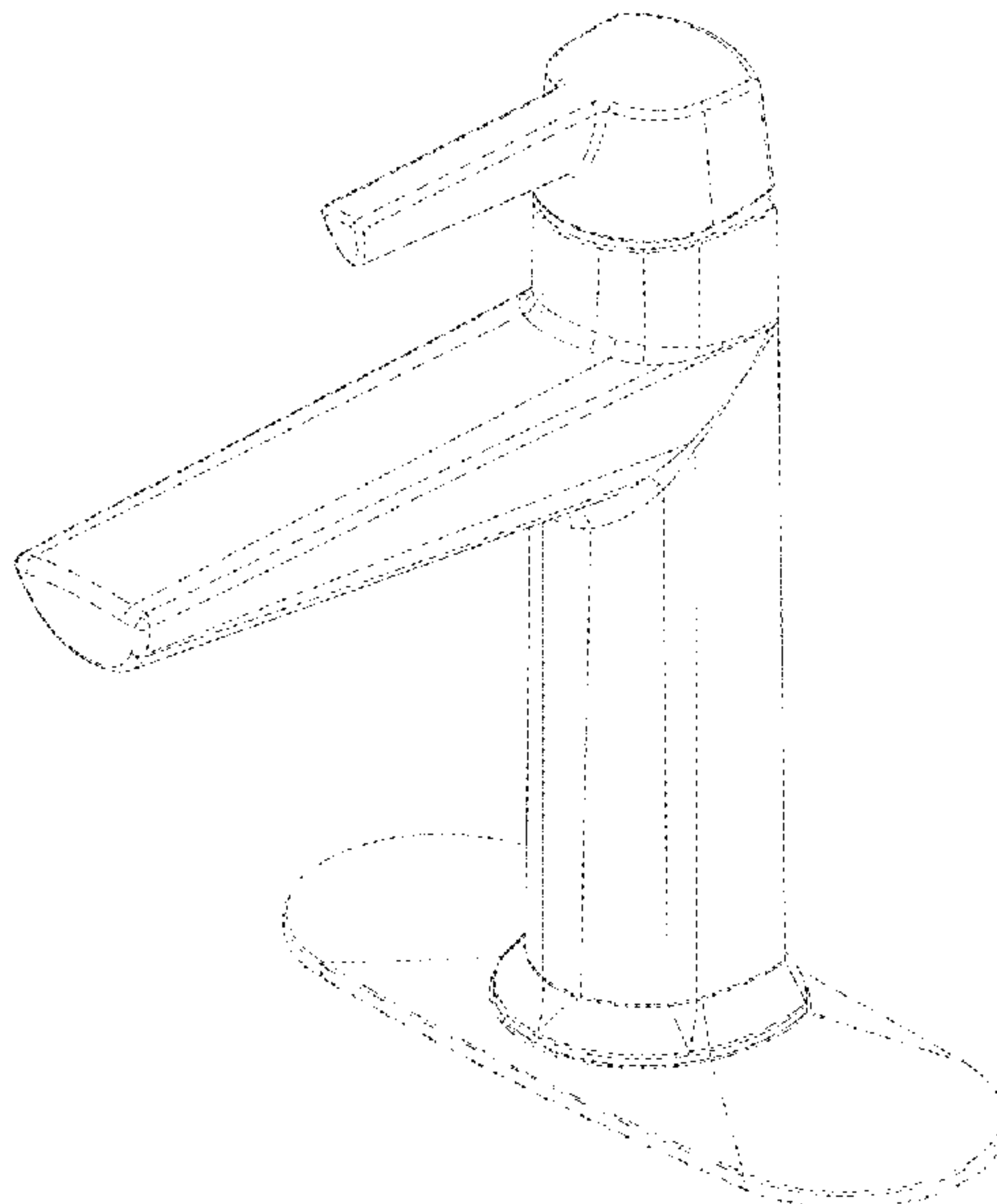
The ornamental design for a faucet, as shown and described.

D708,709 S *	7/2014	Yu	D23/238
D757,223 S *	5/2016	Schoenherr	D23/238
D757,230 S *	5/2016	Schoenherr	D23/255
D760,354 S *	6/2016	Citterio	D23/238
D796,636 S *	9/2017	Downey	D23/238
D796,643 S *	9/2017	Downey	D23/255
D805,163 S *	12/2017	Schoenherr	D23/238
D809,103 S *	1/2018	Schoenherr	D23/238
D823,434 S *	7/2018	Downey	D23/238
D828,503 S *	9/2018	Schoenherr	D23/238
D828,512 S *	9/2018	Liu	D23/238
D841,129 S *	2/2019	Garland	D23/238
D841,778 S *	2/2019	Ando	D23/238
10,329,747 B2 *	6/2019	Lu	E03C 1/0402
D857,168 S *	8/2019	Soulier	D23/238
D859,585 S *	9/2019	Seum	D23/238
2016/0376775 A1 *	12/2016	Tasserit	F16K 27/00 137/801

DESCRIPTION

FIG. 1 is a front perspective view of a faucet showing my new design;
FIG. 2 is a rear perspective view thereof;
FIG. 3 is a front elevational view thereof;
FIG. 4 is a left side view thereof;
FIG. 5 is a rear view thereof;
FIG. 6 is a right side view thereof; and,
FIG. 7 is a top plan view thereof.
The dot-dot-dash broken lines shown in the drawings depict portions of the faucet that form no part of the claimed design.

1 Claim, 4 Drawing Sheets



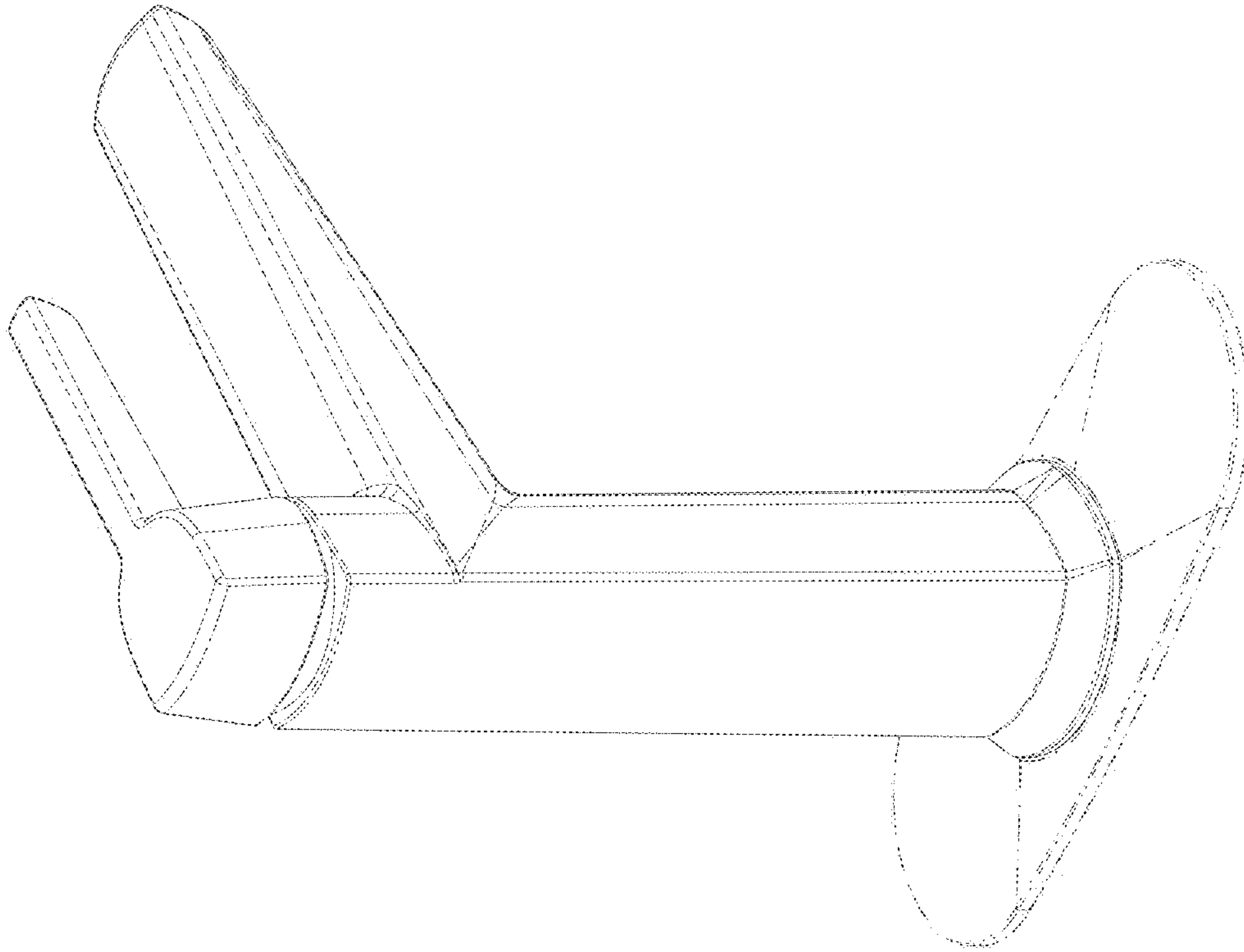


FIG - 2

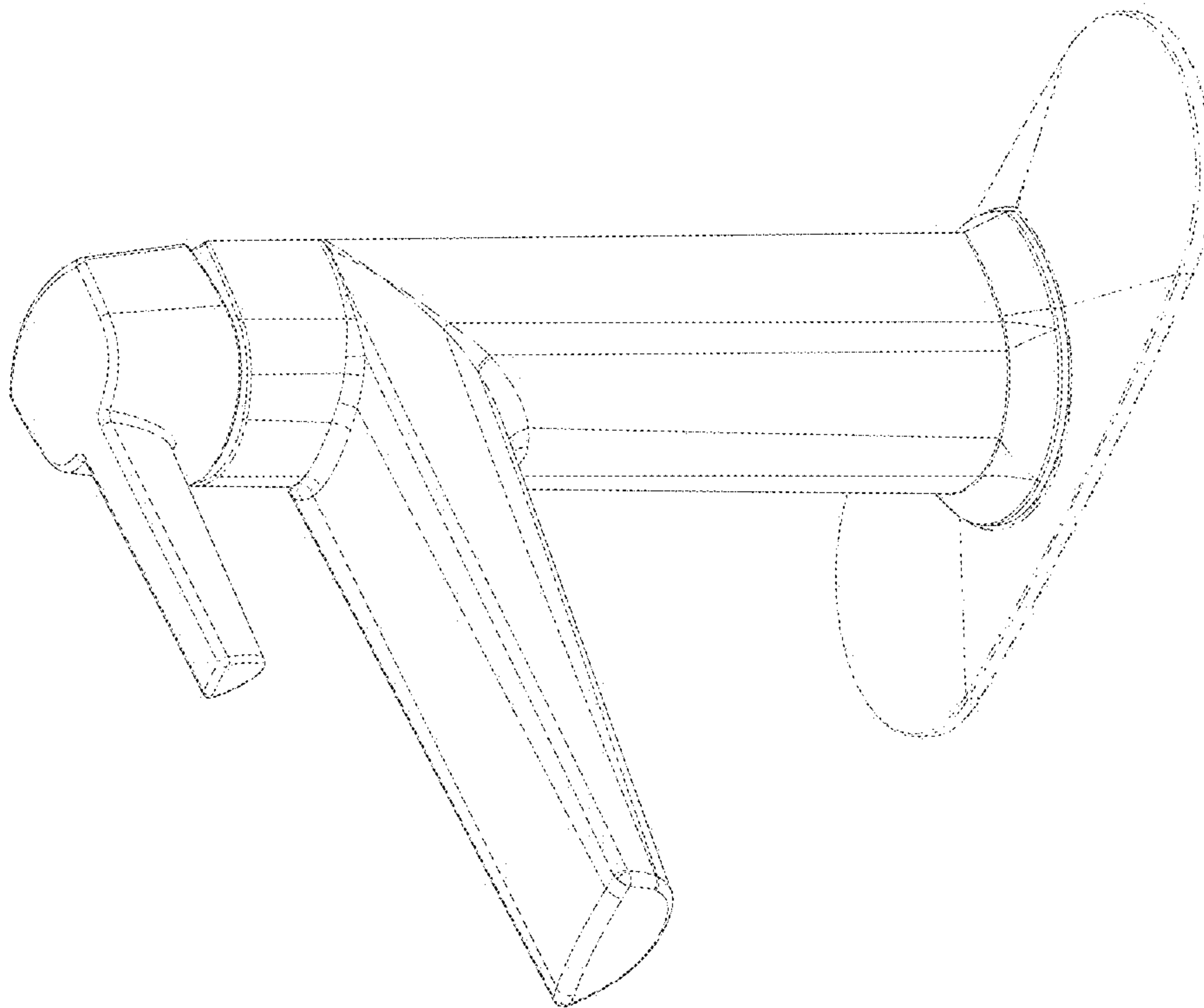


FIG - 1

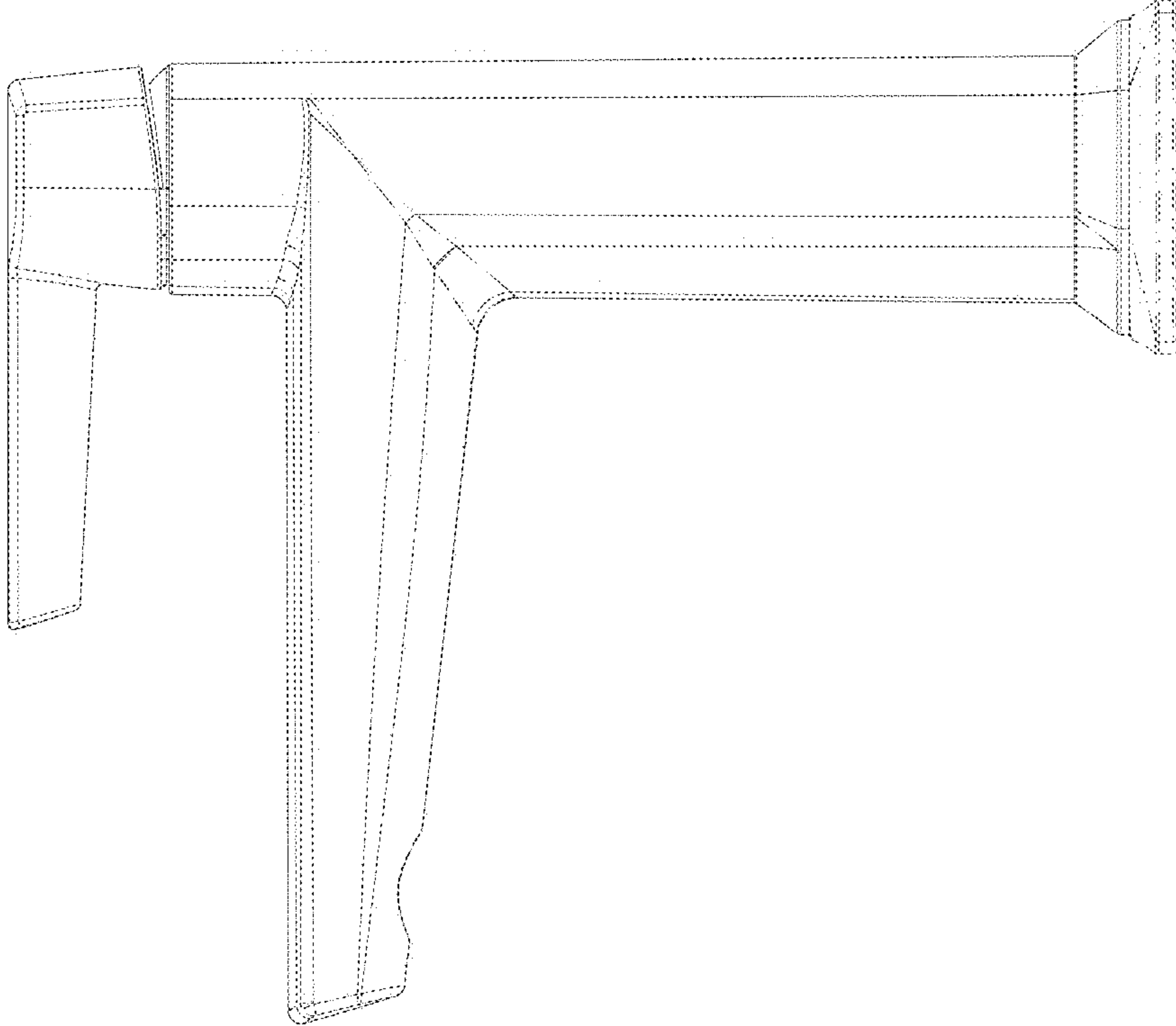


FIG - 4

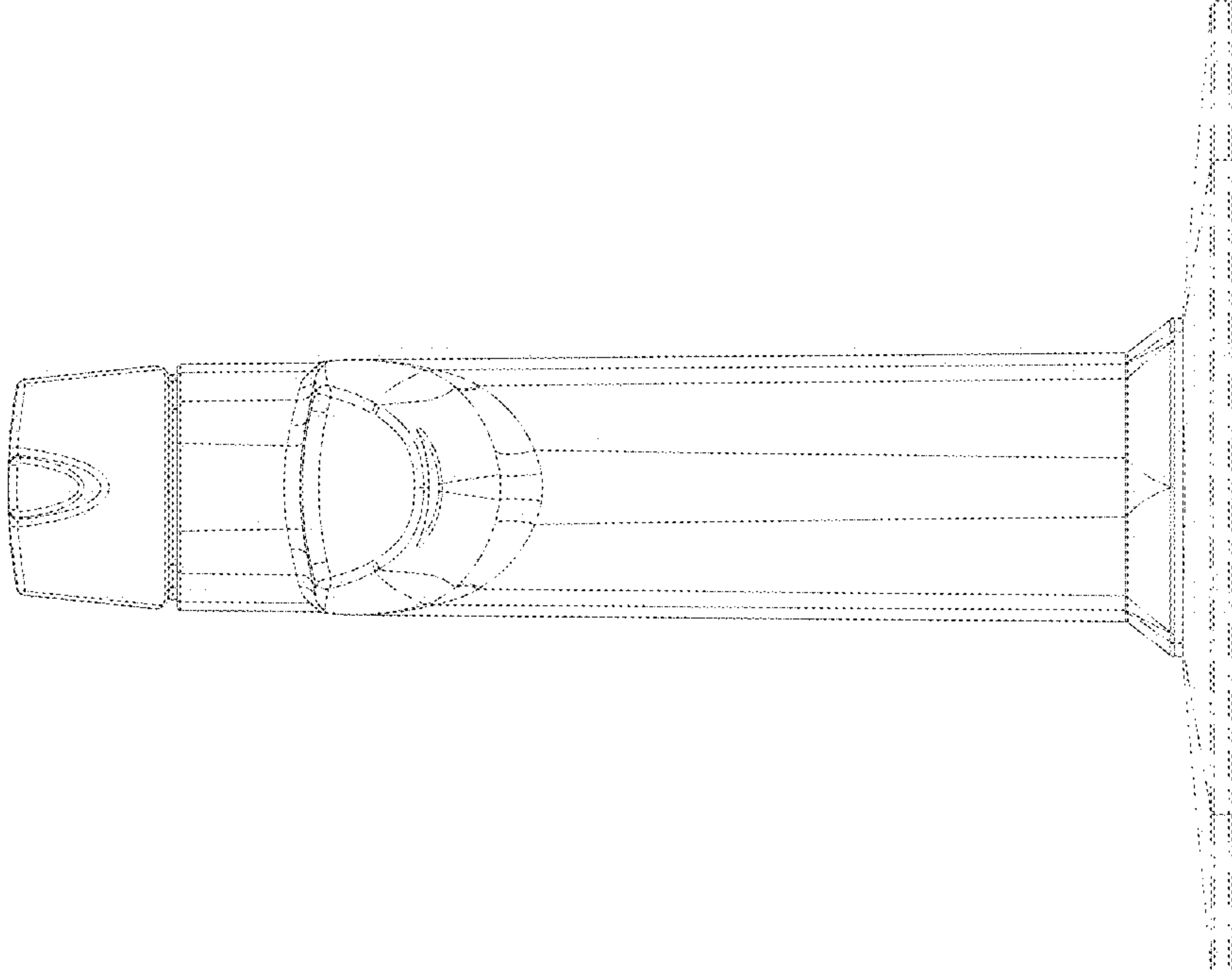


FIG - 3

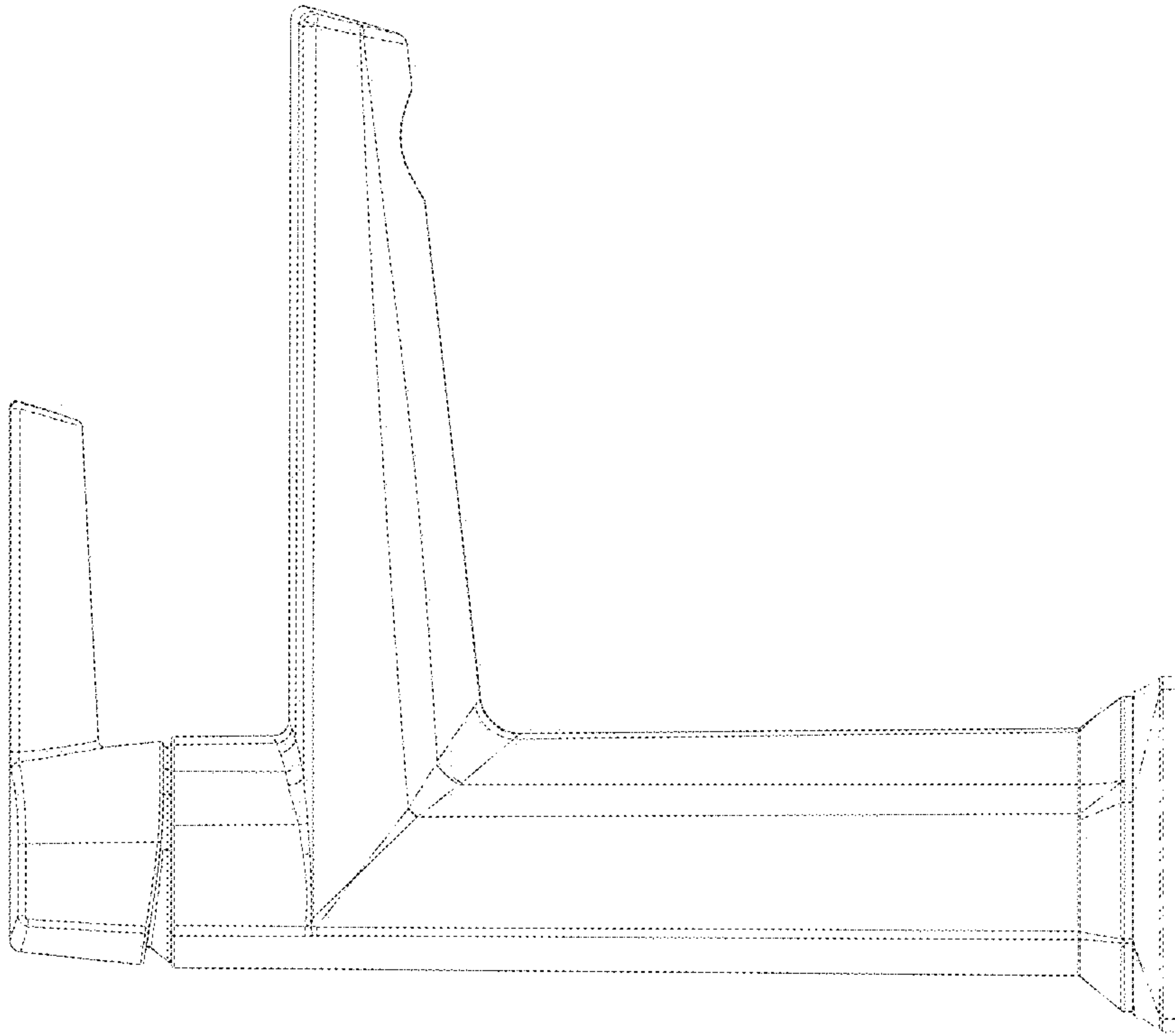


FIG-6

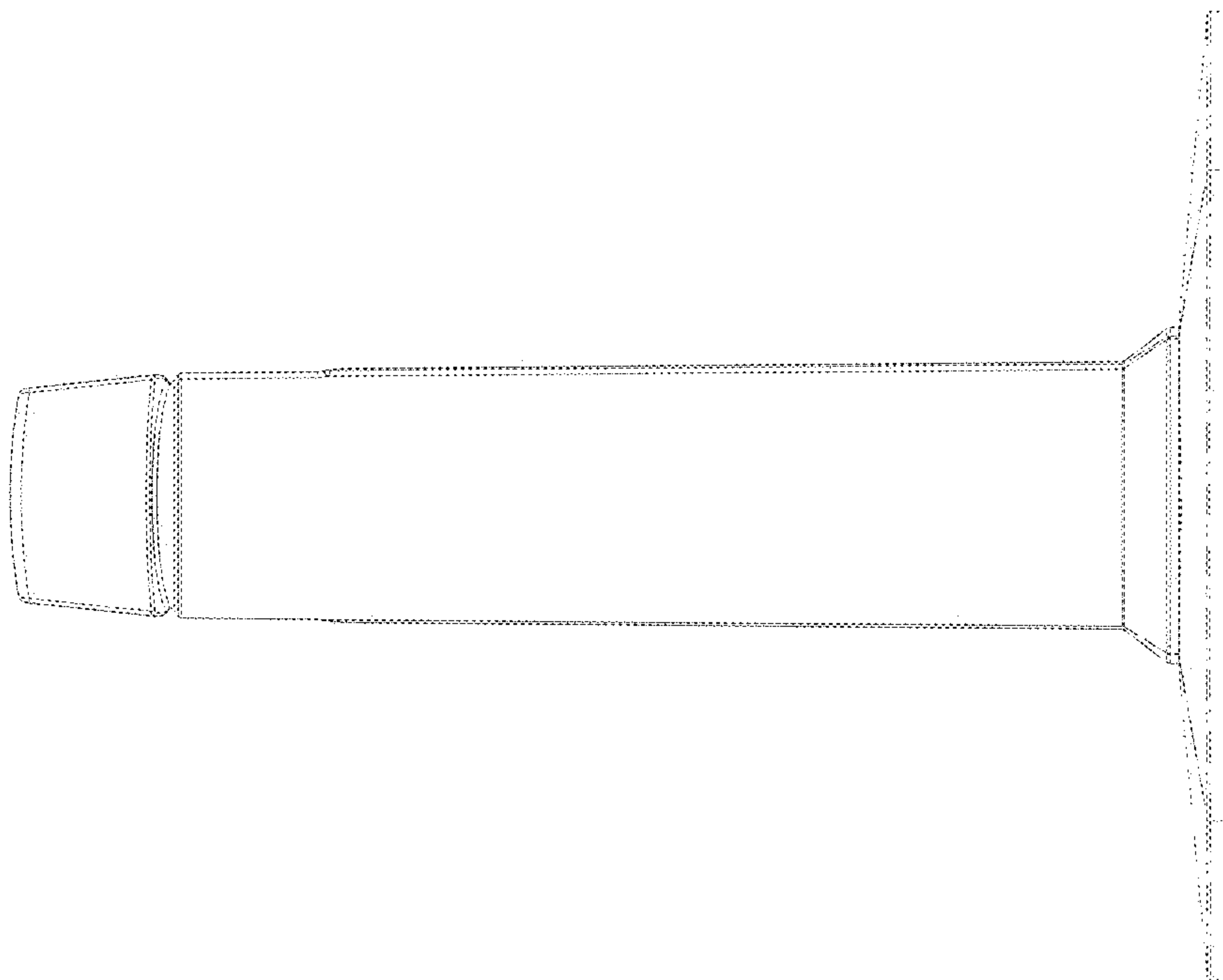


FIG-5

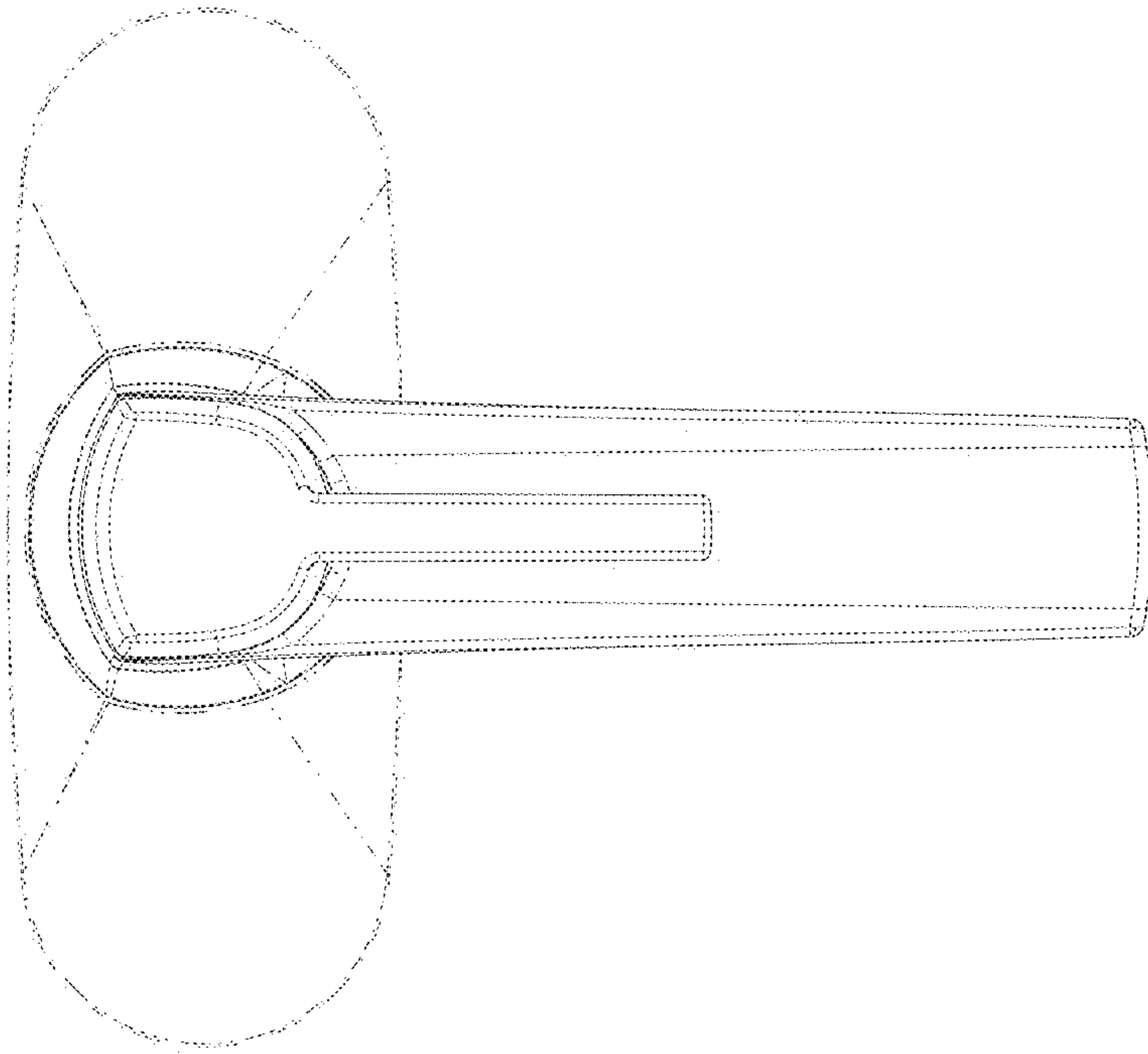


FIG. 7