



US00D947994S

(12) **United States Design Patent** (10) **Patent No.:** **US D947,994 S**
Wang et al. (45) **Date of Patent:** **** Apr. 5, 2022**

(54) **SENSING FAUCET**

FOREIGN PATENT DOCUMENTS

(71) Applicants: **Hsiang-Hung Wang**, Lukang Township, Changhua County (TW);
Yu-Chang Lin, Lukang Township, Changhua County (TW)

CN 301891488 * 11/2011

(72) Inventors: **Hsiang-Hung Wang**, Lukang Township, Changhua County (TW);
Yu-Chang Lin, Lukang Township, Changhua County (TW)

OTHER PUBLICATIONS

Two-in-one soap dispenser & sensor faucet, announced date unavailable [online], [site visited Aug. 24, 2021]. Available from internet, URL:<<https://www.dhgate.com/product/two-in-one-soap-dispenser-sensor-faucet-bathroom/569643277.html>> (Year: 2021).*

(**) Term: **15 Years**

* cited by examiner

(21) Appl. No.: **29/717,961**

Primary Examiner — Barbara Fox

Assistant Examiner — Jamaal Rasheed

(22) Filed: **Dec. 20, 2019**

(74) *Attorney, Agent, or Firm* — Leong C. Lei

(51) **LOC (13) Cl.** **23-01**

(57) **CLAIM**

(52) **U.S. Cl.**

USPC **D23/238**

The ornamental design for a sensing faucet, as shown and described.

(58) **Field of Classification Search**

USPC D23/238–244, 252, 254–255, 257

CPC F16K 31/602; F16K 31/605; F16K 31/607;

E03C 1/0412

DESCRIPTION

See application file for complete search history.

FIG. 1 is a perspective view of a sensing faucet showing our new design;

FIG. 2 is a front elevational view thereof;

FIG. 3 is a rear elevational view thereof;

FIG. 4 is a left side elevational view thereof;

FIG. 5 is a right side elevational view thereof;

FIG. 6 is a top plan view thereof; and,

FIG. 7 is a bottom plan view thereof.

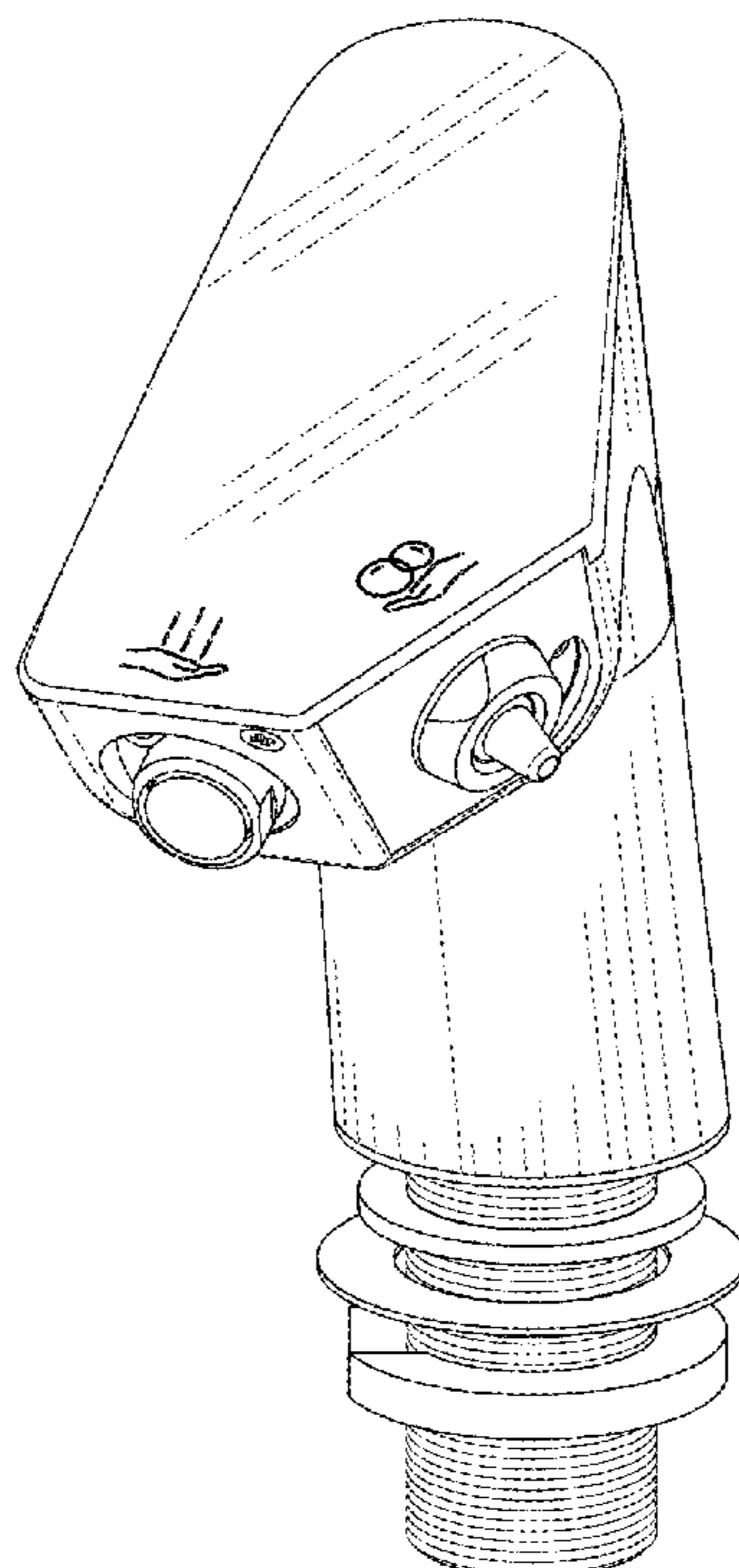
The portions shown in broken lines form no part of the claimed design.

(56) **References Cited**

U.S. PATENT DOCUMENTS

D339,628 S *	9/1993	Jans	D23/238
D368,303 S *	3/1996	Lobermeier	D23/243
D465,556 S *	11/2002	Ouyoung	D23/238
D850,586 S *	6/2019	Gompper	D23/238
D855,769 S *	8/2019	Eads	D23/238
10,597,854 B1 *	3/2020	Wang	E03C 1/0465
2015/0308084 A1 *	10/2015	Thompson	E03C 1/057
				700/283

1 Claim, 7 Drawing Sheets



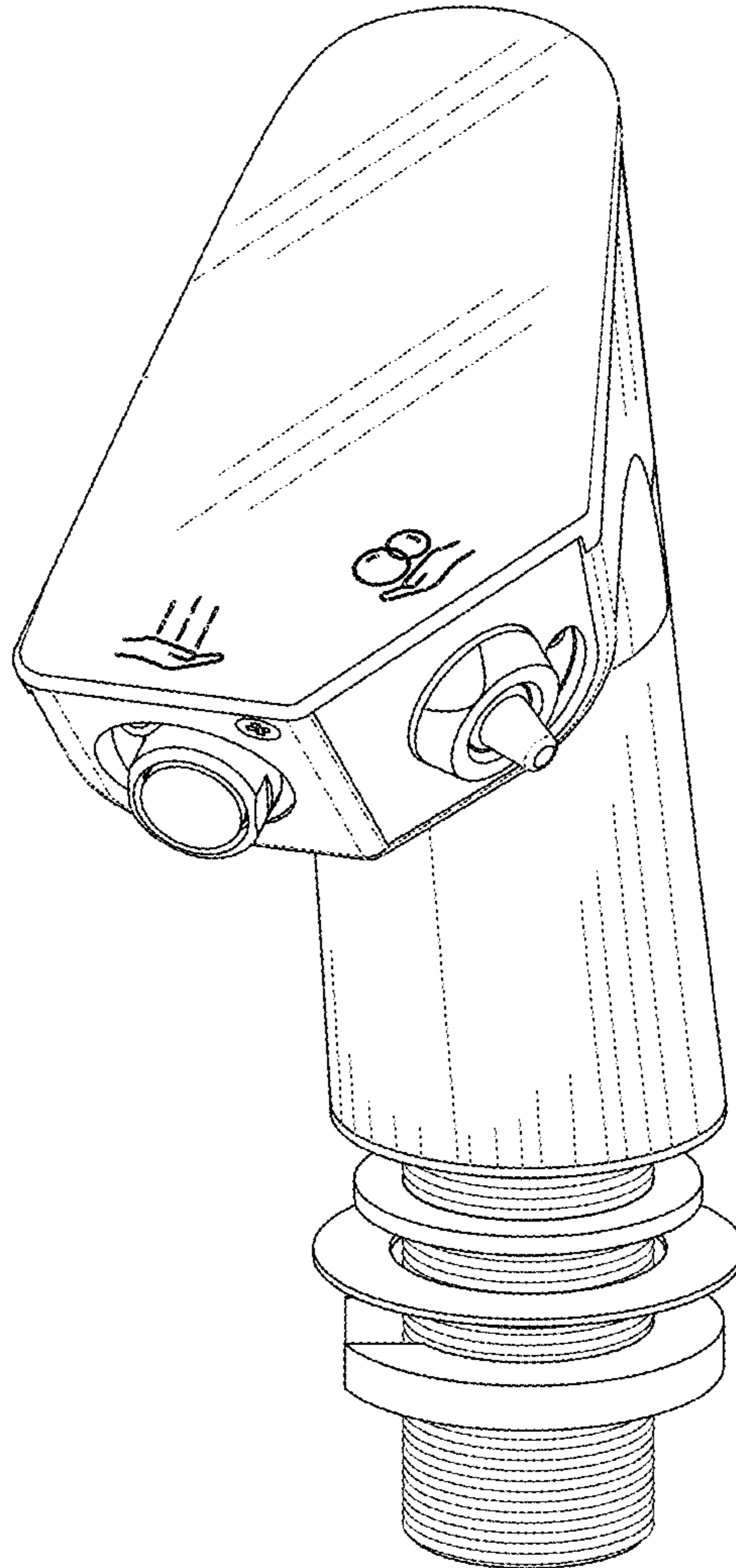


FIG.1

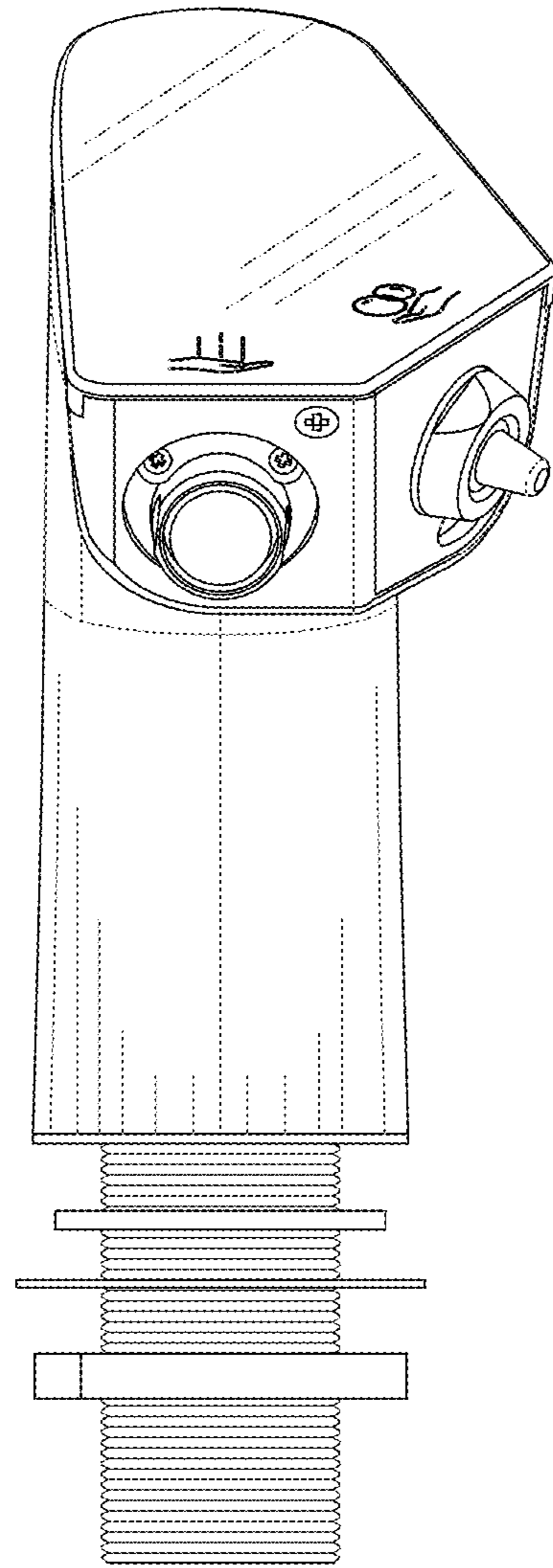


FIG.2

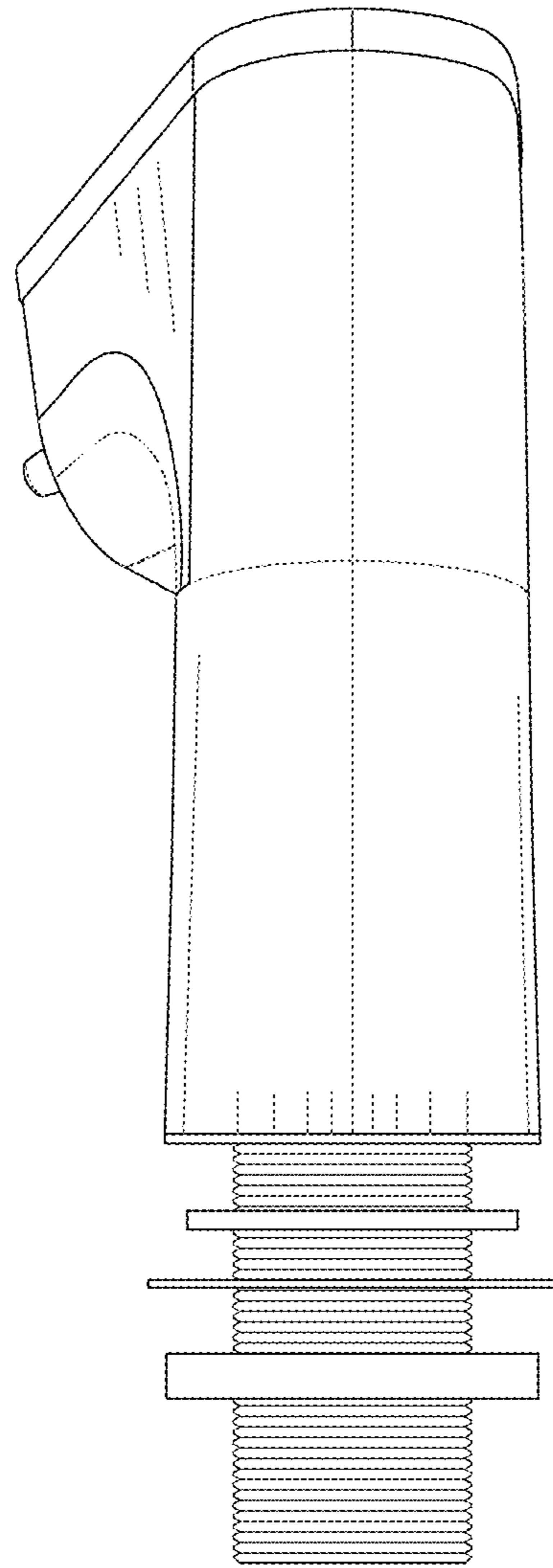


FIG.3

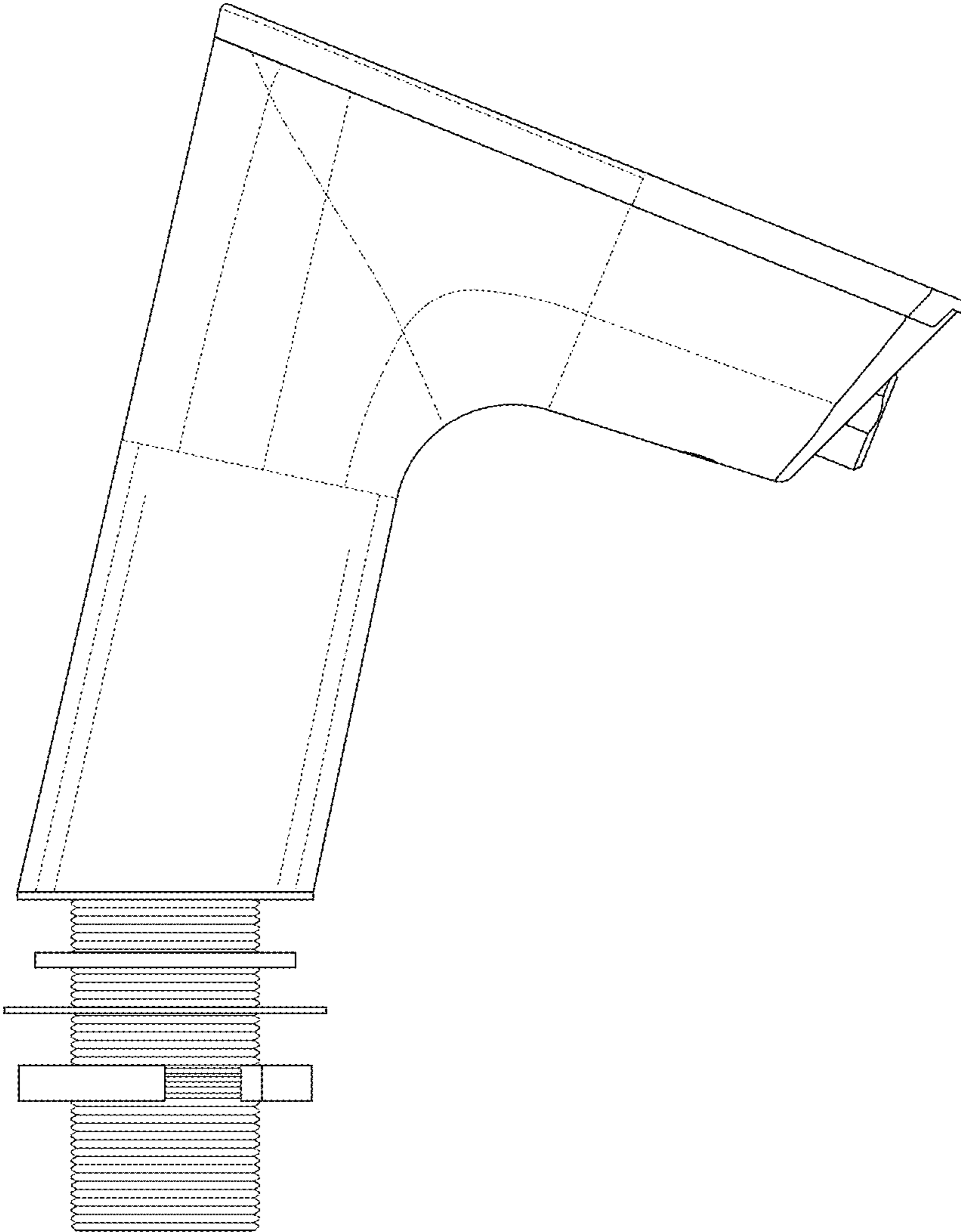


FIG.4

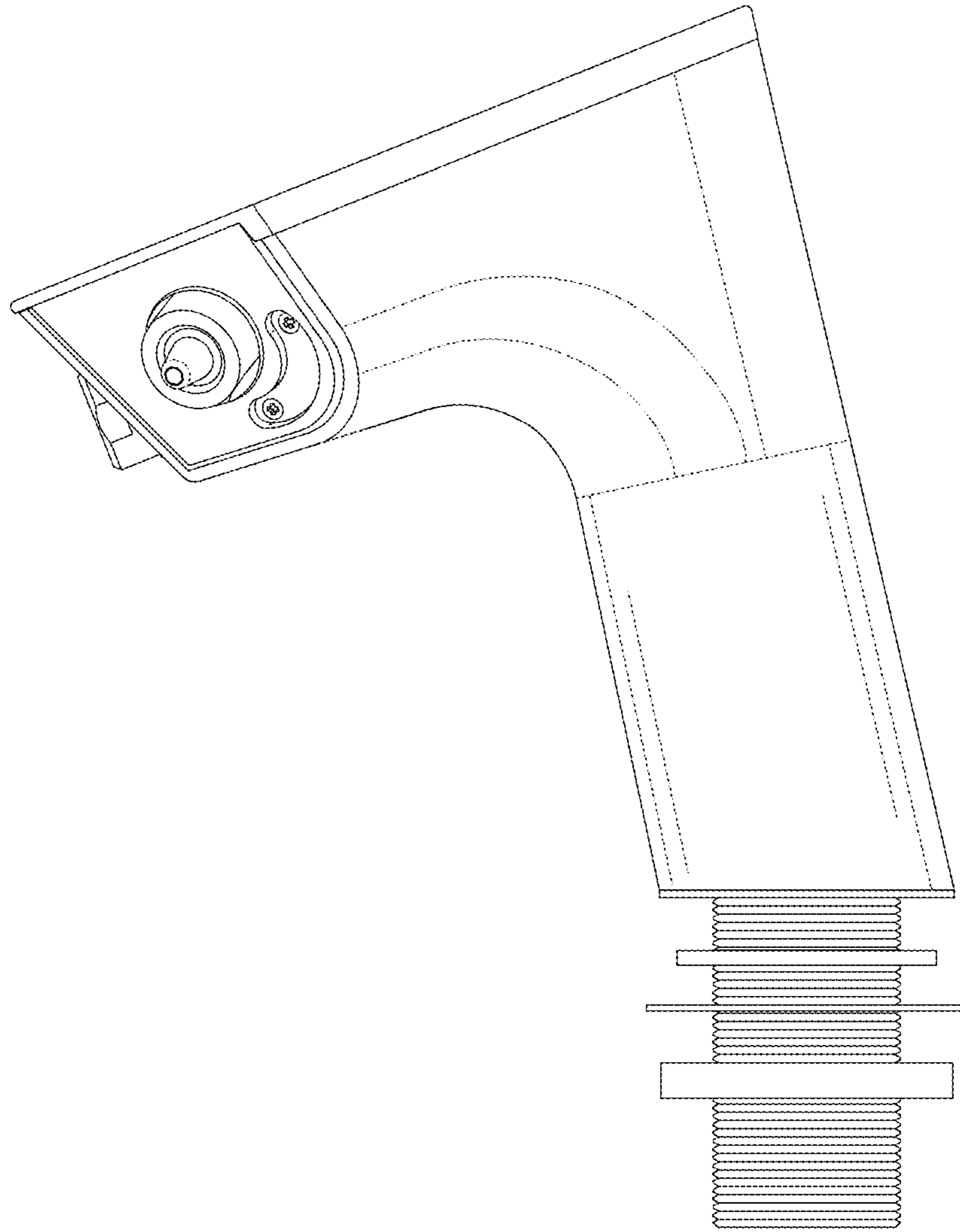


FIG.5

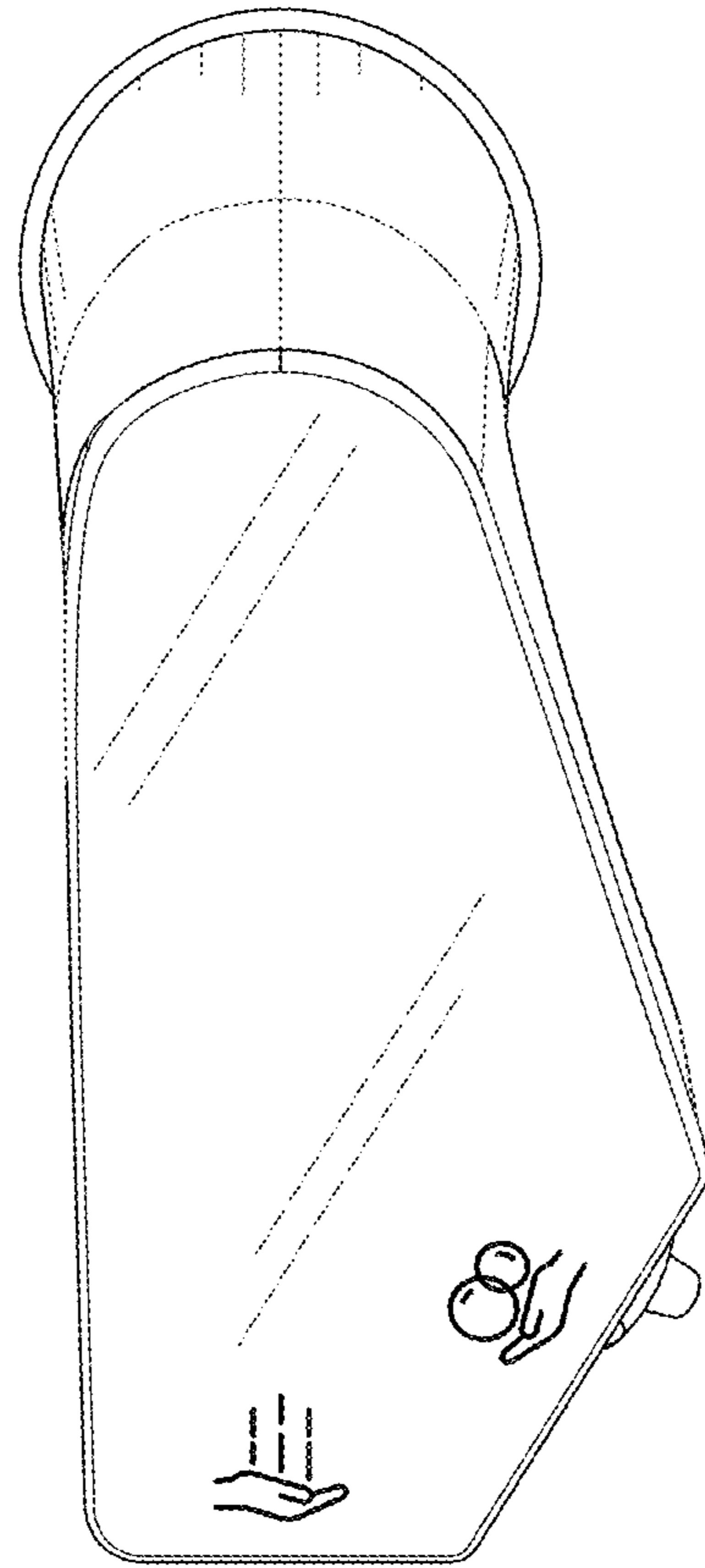


FIG.6

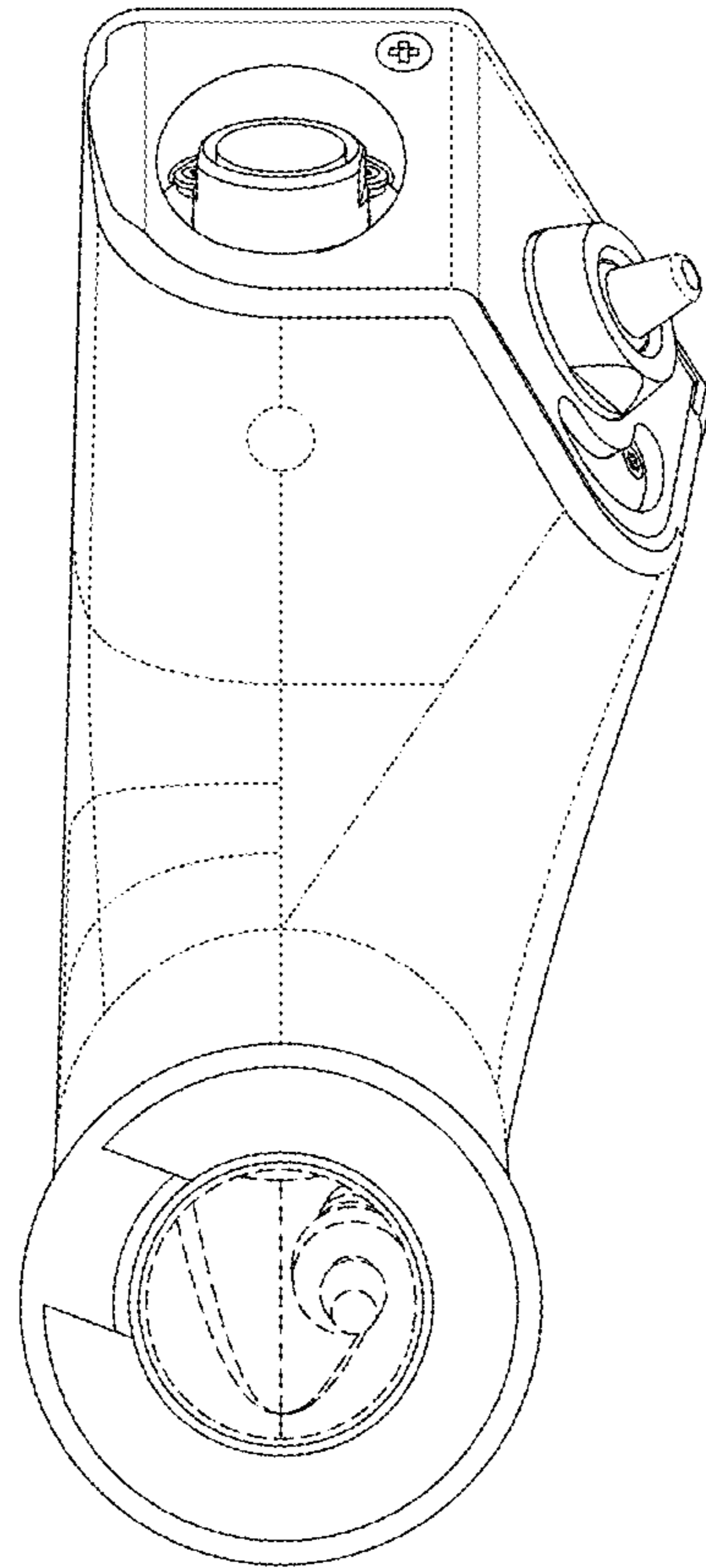


FIG. 7