



US00D947993S

(12) **United States Design Patent**
Kieras

(10) **Patent No.:** **US D947,993 S**

(45) **Date of Patent:** **** Apr. 5, 2022**

- (54) **VACUUM BREAK TWIST TAP**
- (71) Applicant: **DS Smith Plastics Limited**, London (GB)
- (72) Inventor: **Ronald E. Kieras**, Bolingbrook, IL (US)
- (73) Assignee: **LB EUROPE LIMITED**, Manchester (GB)
- (**) Term: **15 Years**
- (21) Appl. No.: **29/725,091**
- (22) Filed: **Feb. 21, 2020**
- (51) **LOC (13) Cl.** **23-01**
- (52) **U.S. Cl.**
USPC **D23/237**
- (58) **Field of Classification Search**
USPC D23/230–239, 244–250, 259–269; D8/70
CPC E03C 1/104; E03C 1/108
See application file for complete search history.
- (56) **References Cited**

U.S. PATENT DOCUMENTS

2,028,101	A *	1/1936	Fredrickson	E03C 1/108
					137/217
3,023,767	A *	3/1962	Woodford	E03C 1/108
					137/218
3,145,724	A *	8/1964	Pelzer	E03C 1/108
					137/217
3,180,352	A *	4/1965	Kersten	F16K 15/06
					137/218
3,183,924	A *	5/1965	Duchin	E03C 1/108
					137/218
D223,094	S *	3/1972	Coleman et al.	D23/235
D278,740	S *	5/1985	Bolgert	D23/235
D309,173	S *	7/1990	Stipe	D23/233
D319,866	S *	9/1991	Rogers	D23/235
5,360,029	A *	11/1994	Goughneour	E03C 1/108
					137/217
D426,617	S *	6/2000	Hansen	D23/237

D500,123	S *	12/2004	Pelletz	D23/245
D516,679	S *	3/2006	Tripp	D23/245
D531,697	S *	11/2006	Hofmann	D23/237
7,721,755	B2	5/2010	Smith		

(Continued)

FOREIGN PATENT DOCUMENTS

AU	2011248536	B2	11/2011
AU	2011248536	B2	3/2015

OTHER PUBLICATIONS

Aaron Stickley. "Pressure Vacuum Breaker Basics." The Spruce., May 11, 2019 [online], [retrieved on Jun. 29, 2021]. Retrieved from the Internet <URL: <https://www.thespruce.com/pressure-vacuum-breaker-basics-2718896>>.*

(Continued)

Primary Examiner — Darlington Ly
(74) *Attorney, Agent, or Firm* — McAndrews, Held & Malloy, Ltd

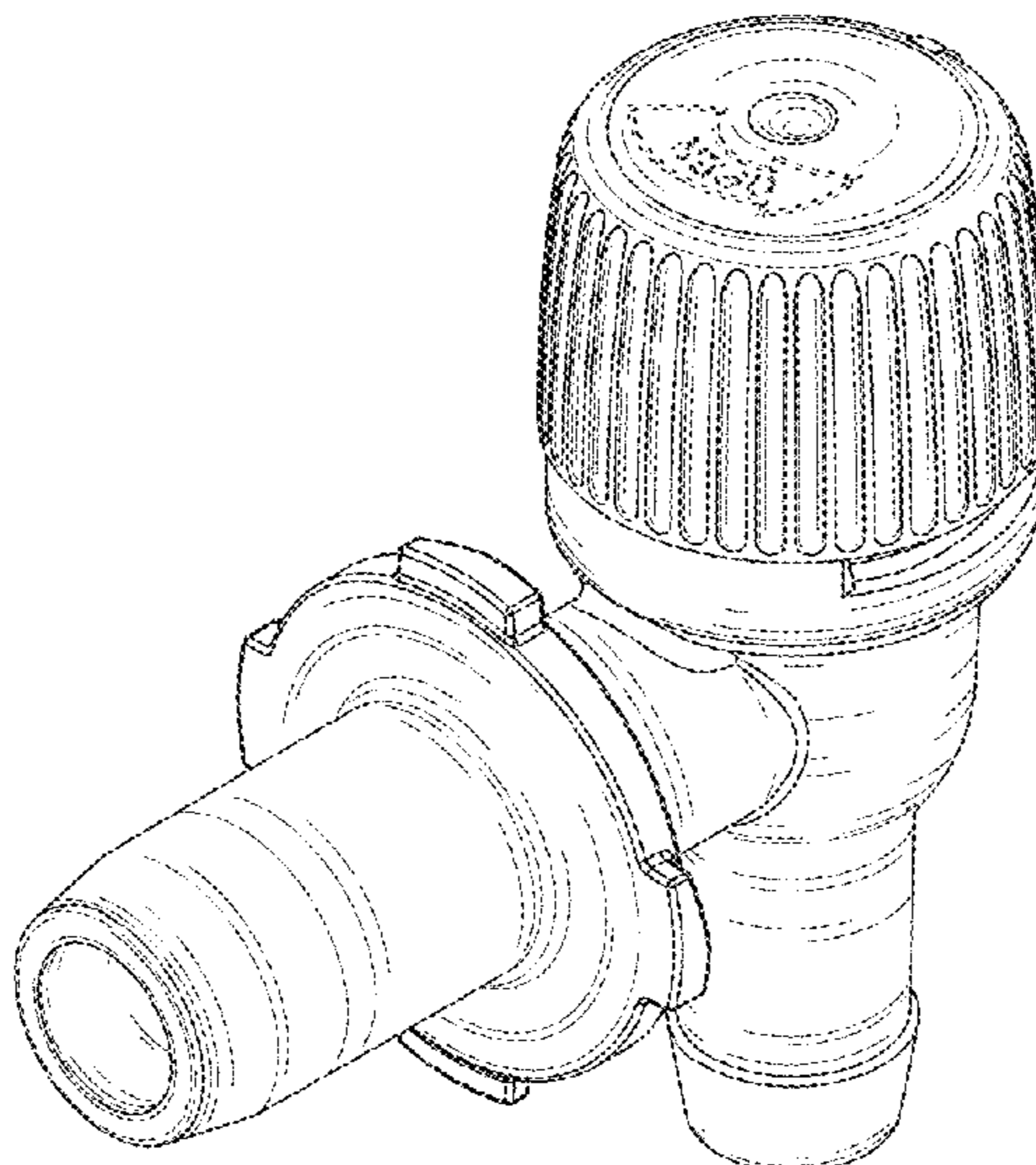
(57) **CLAIM**

The ornamental design for a vacuum break twist tap, as shown and described.

DESCRIPTION

FIG. 1 is a front perspective view of a vacuum break twist tap showing my new design;
FIG. 2 is a front elevation view thereof;
FIG. 3 is a rear elevation view thereof;
FIG. 4 is a left side elevation view thereof;
FIG. 5 is a right side elevation view thereof;
FIG. 6 is a top plan view thereof;
FIG. 7 is a bottom plan view thereof; and,
FIG. 8 is a front perspective cross-sectional view thereof.
The dashed broken lines in the figures illustrate portions of the vacuum break twist tap that form no part of the claimed design.

1 Claim, 5 Drawing Sheets



(56)

References Cited

U.S. PATENT DOCUMENTS

8,006,874 B2 8/2011 Smith
8,297,299 B2* 10/2012 Pan F16K 24/06
137/217
10,227,167 B2 3/2019 Darby

OTHER PUBLICATIONS

William Moore. "Best backflow preventer for sprinkler systems." Lawnista., Sep. 12, 2020 [online], [retrieved on Jun. 29, 2021]. Retrieved from the Internet <URL: <https://lawnista.com/best-backflow-preventer-for-sprinkler-systems/>>.*
Strivo Technical Datasheet, Rapak-L-300-EN Sep. 2015, © 2015 DS Smith, Plastics Division, Rapak (2 pages).
TruTap Information Sheet, 495RV-C 525 RV-B WD-L-302-EN Nov. 2016, © DS Smith, Plastics Division, Worldwide Dispensers (2 pages).
Creative Dispensing Solutions brochure, © 2018 DS Smith, Plastics Division, Worldwide Dispensers(36 pages).

* cited by examiner

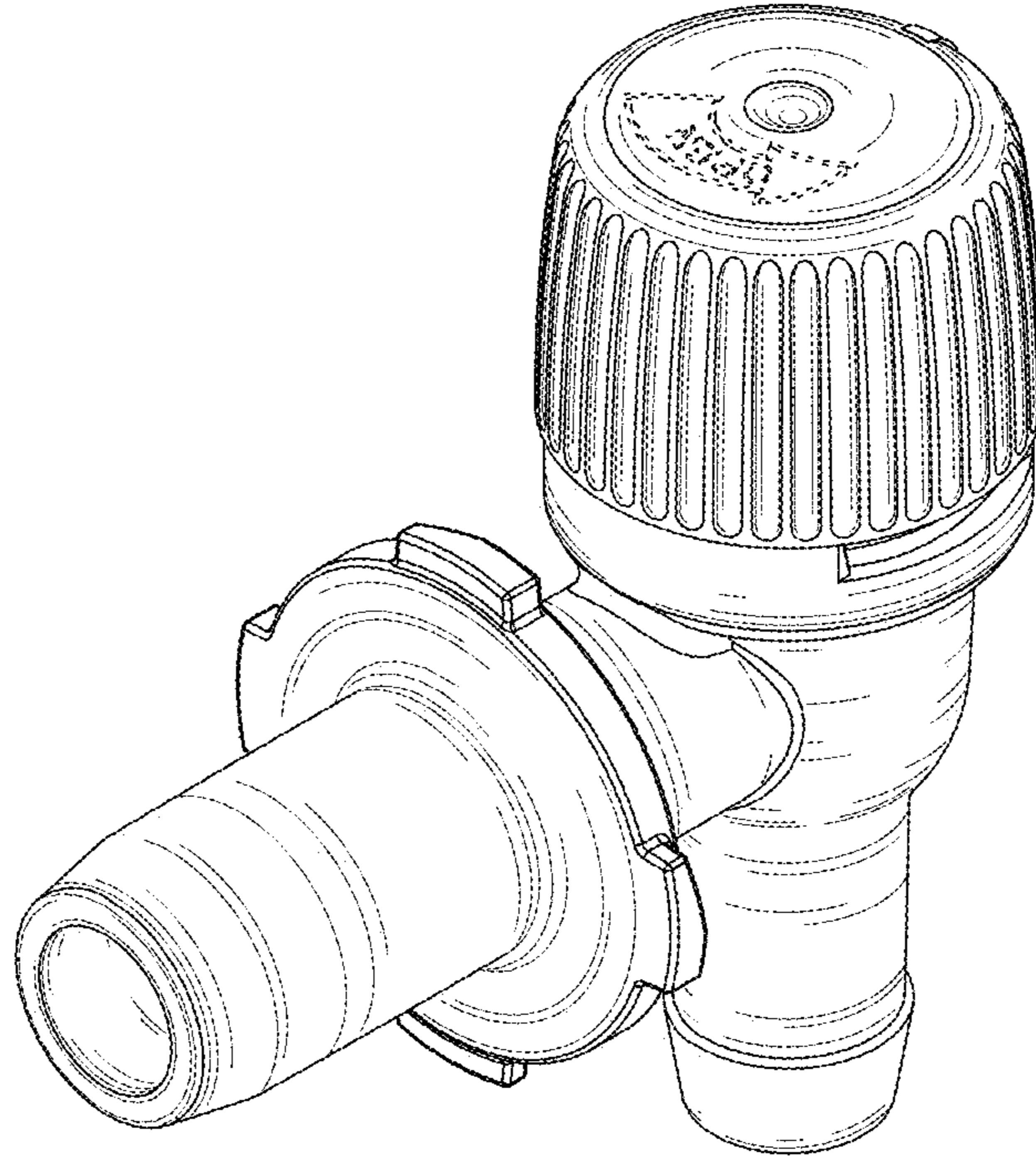


FIG. 1

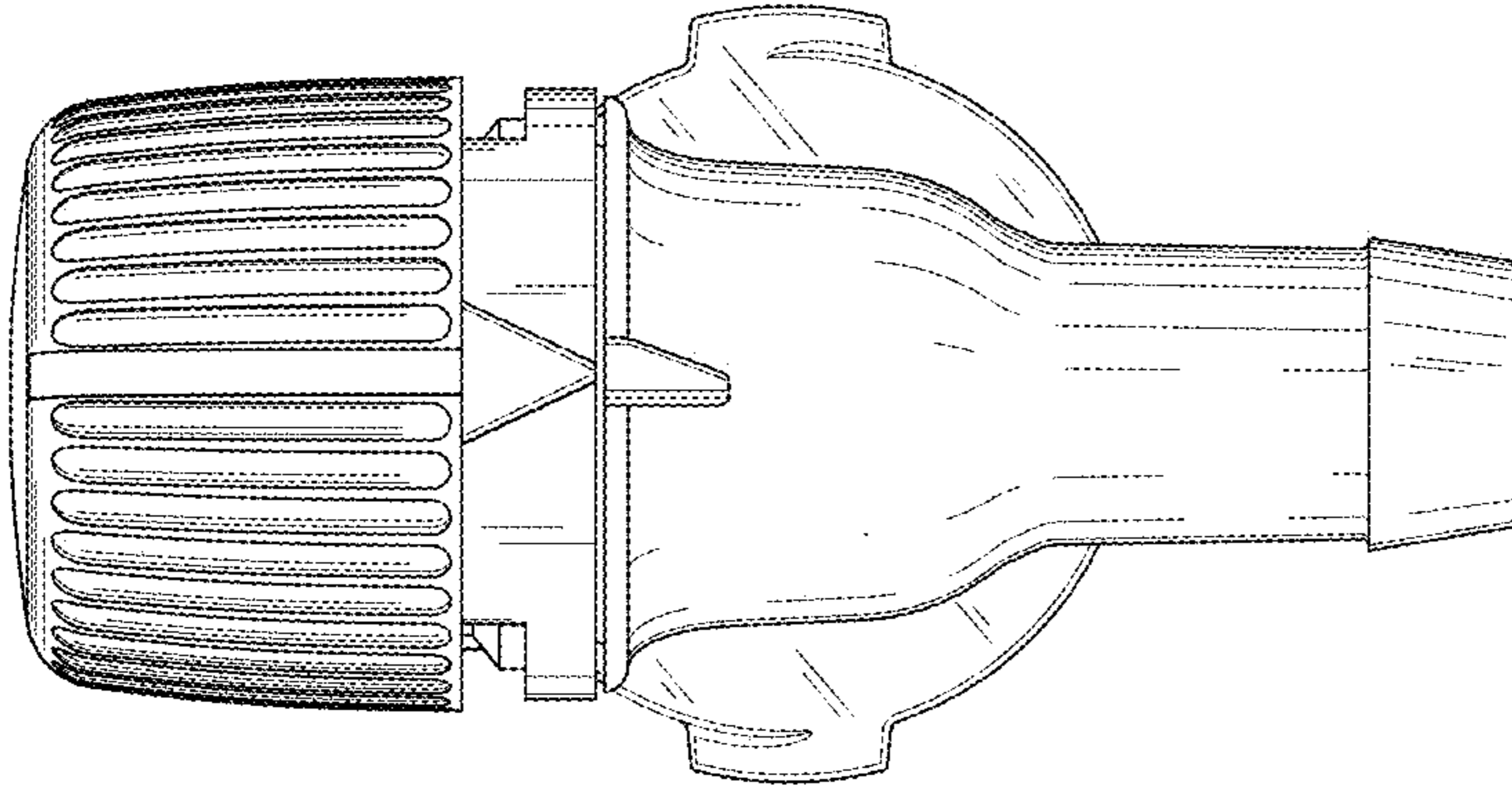


FIG. 2

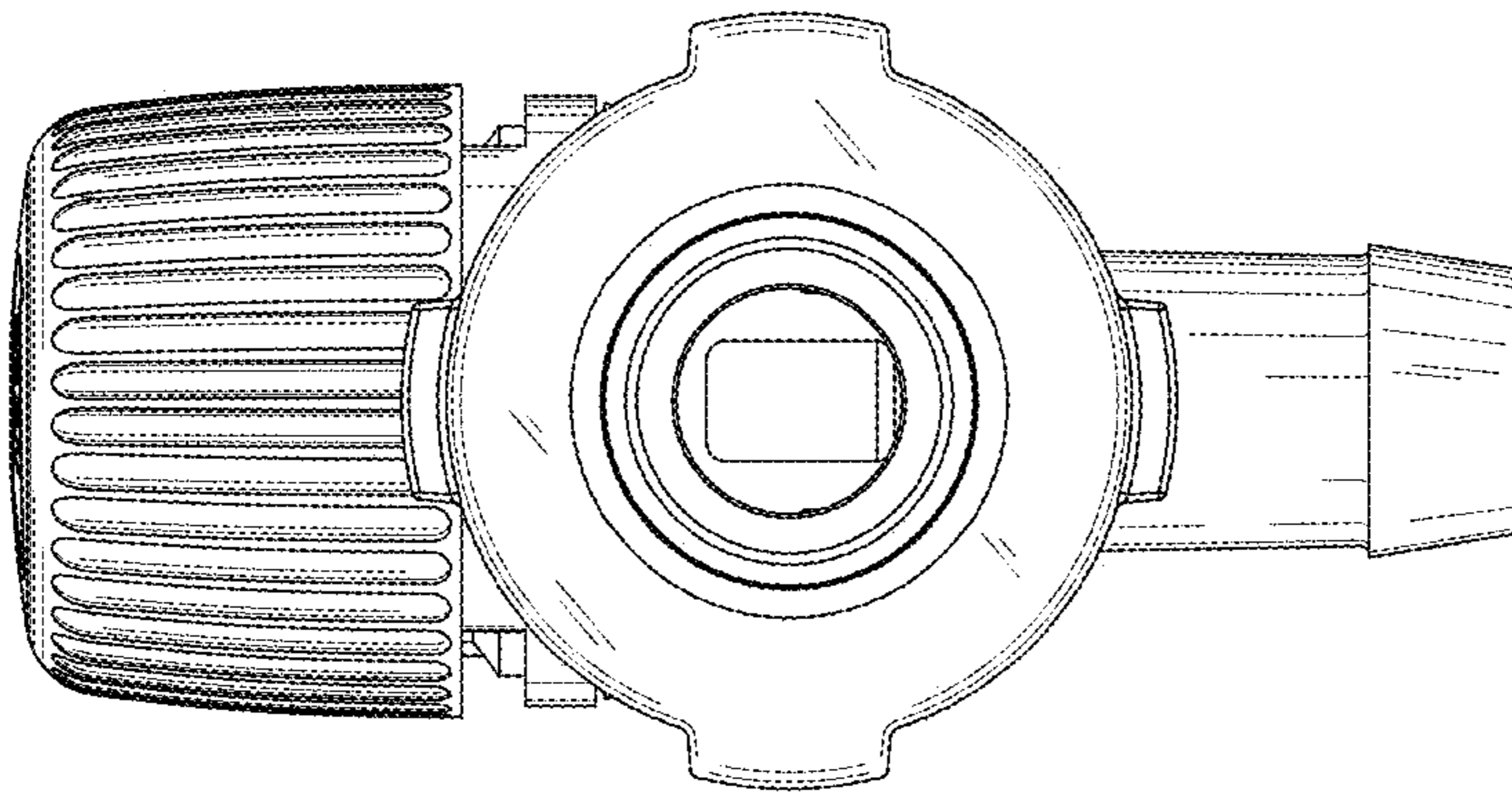


FIG. 3

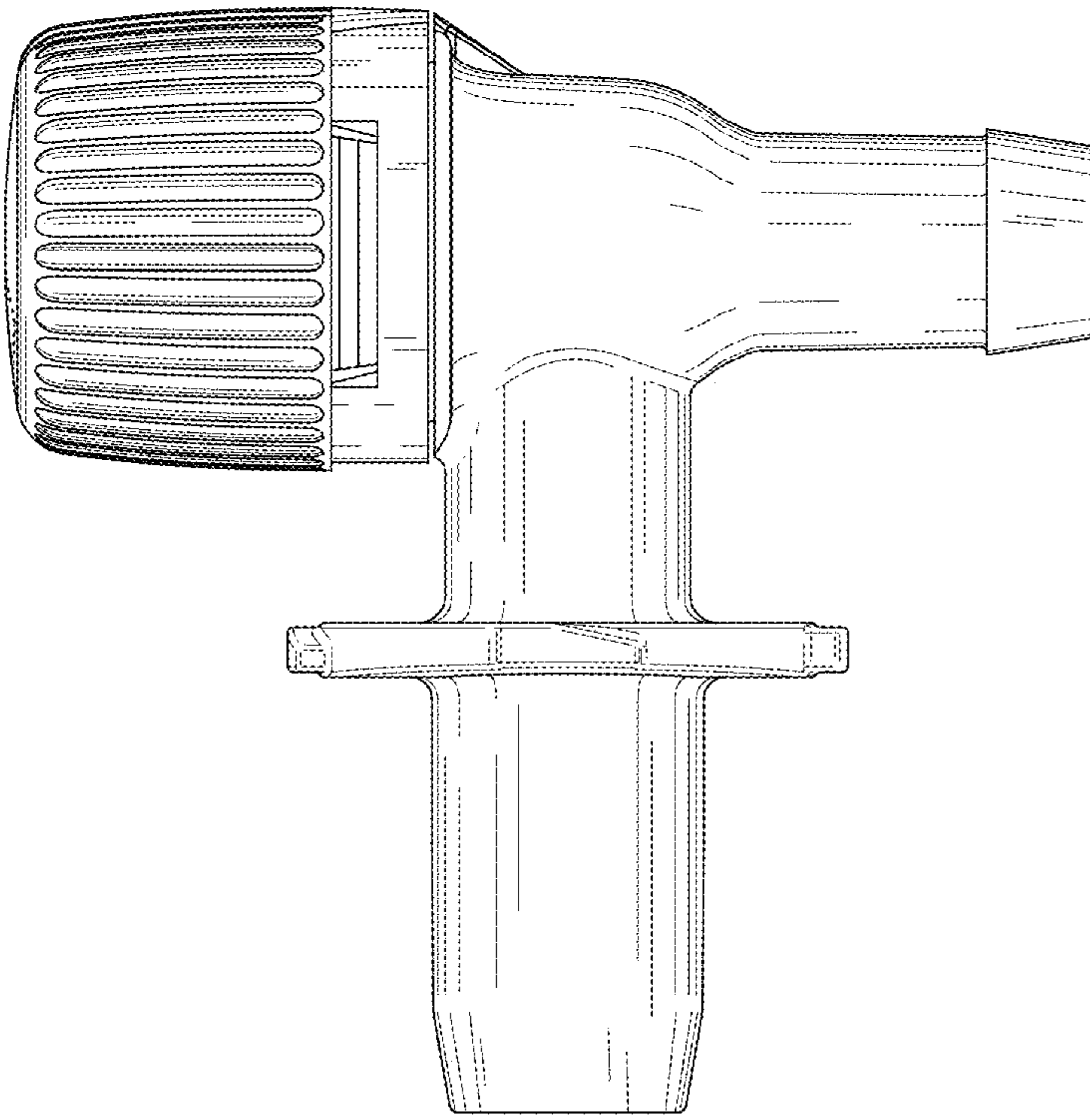


FIG. 5

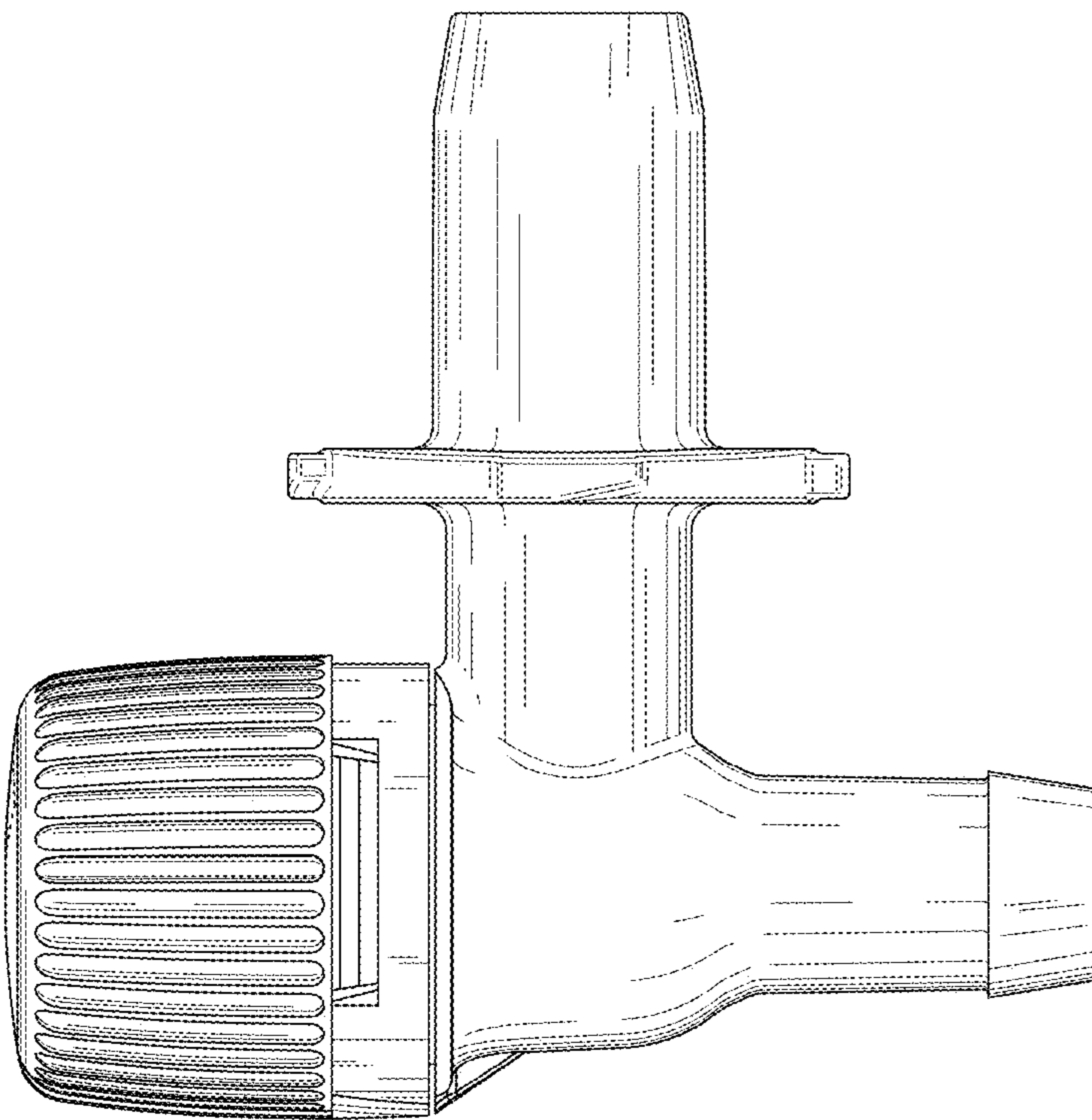


FIG. 4

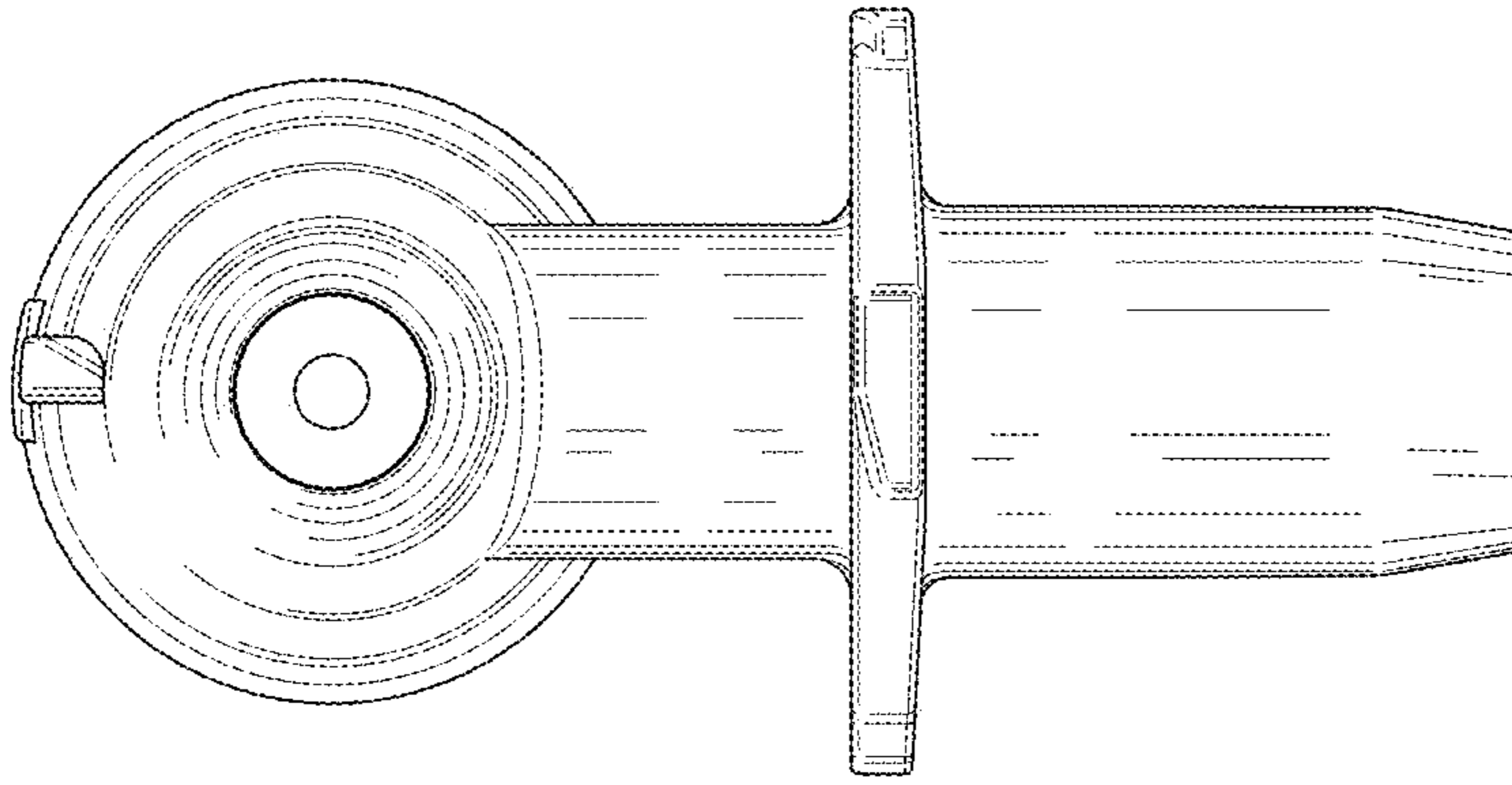


FIG. 7

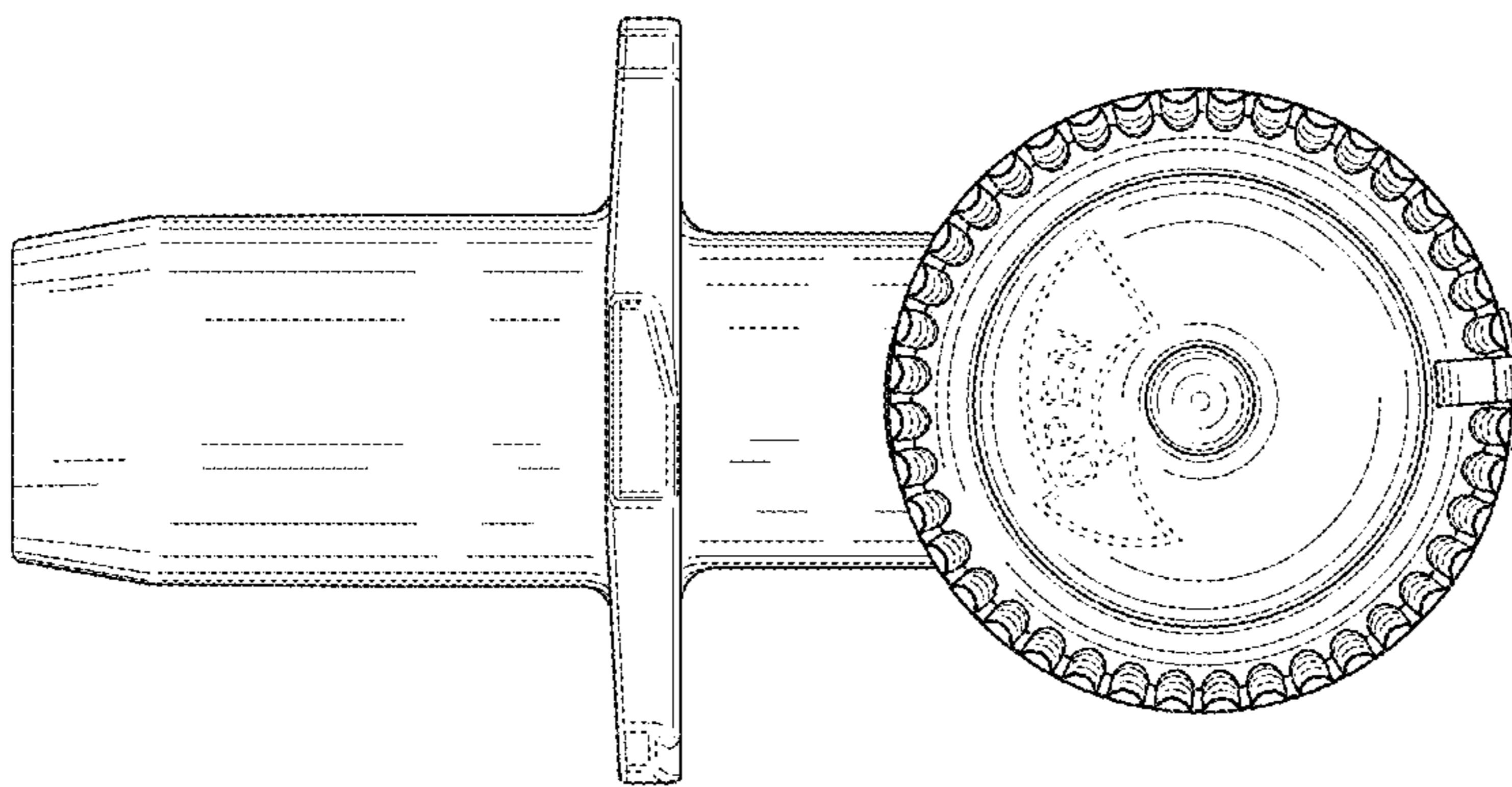


FIG. 6

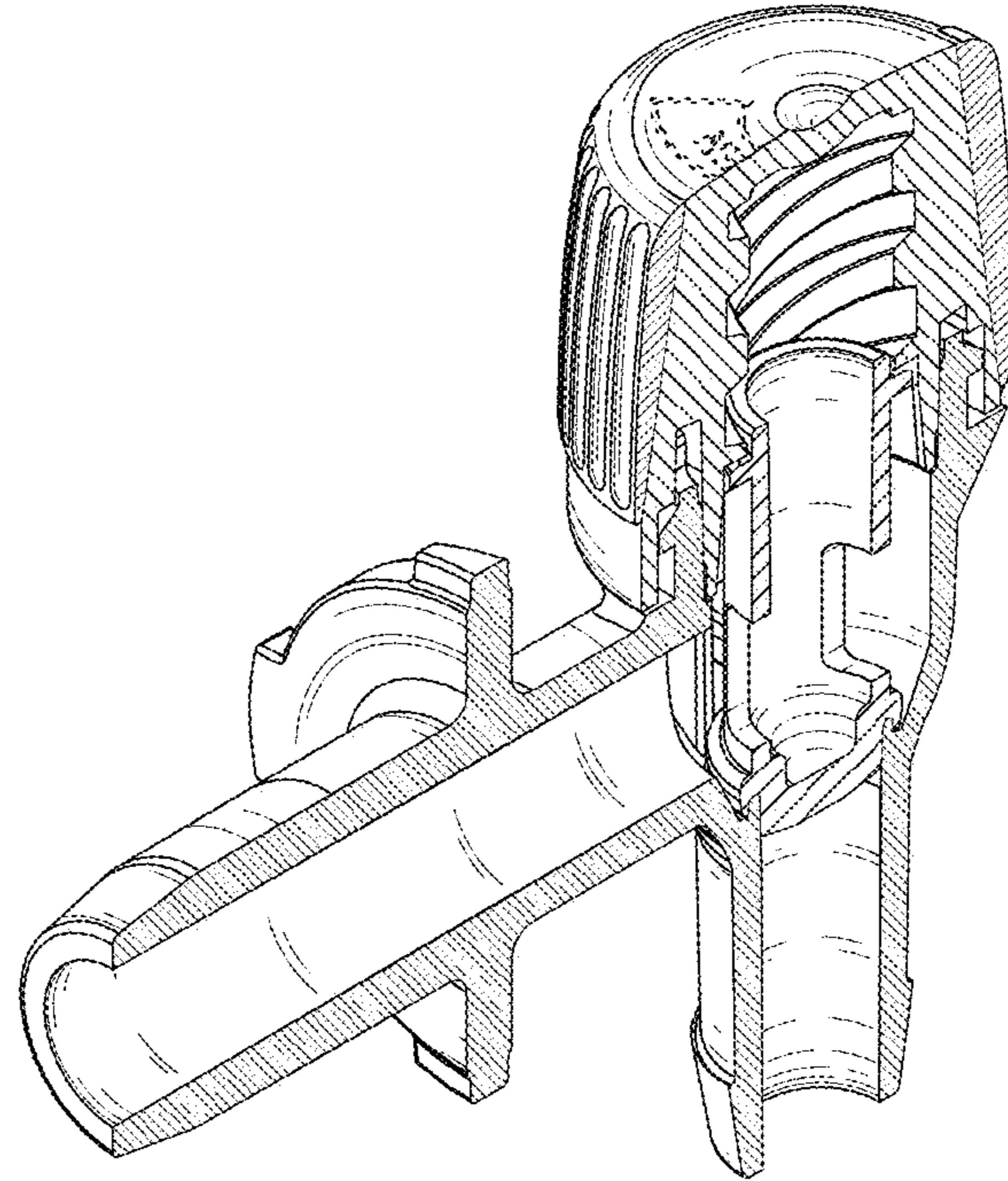


FIG. 8

UNITED STATES PATENT AND TRADEMARK OFFICE
CERTIFICATE OF CORRECTION

PATENT NO. : D947,993 S
APPLICATION NO. : 29/725091
DATED : April 5, 2022
INVENTOR(S) : Ronald E. Kieras and Matthew Ruschmeier


Page 1 of 1

It is certified that error appears in the above-identified patent and that said Letters Patent is hereby corrected as shown below:

On the Title Page

Item [12], should read:
United States Design Patent
Kieras, et al.

Item [72], should read:
Inventors:
Ronald E. Kieras, Bolingbrook, IL (US)
Matthew Ruschmeier, Glencoe, MN (US)

Signed and Sealed this
Second Day of August, 2022

Katherine Kelly Vidal
Director of the United States Patent and Trademark Office